



US00D835258S

(12) **United States Design Patent** (10) **Patent No.:** **US D835,258 S**
Parikh et al. (45) **Date of Patent:** **** Dec. 4, 2018**

- (54) **PHARMACEUTICAL TABLET**
- (71) Applicant: **Celgene Corporation**, Summit, NJ (US)
- (72) Inventors: **Darshan Parikh**, Bridgewater, NJ (US); **Scott Burnside**, Wilmington, NC (US); **Sreenivas S. Bhat**, Kendall Park, NJ (US); **Jiping Liu**, Basking Ridge, NJ (US)
- (73) Assignee: **Celgene Corporation**, Summit, NJ (US)
- (**) Term: **15 Years**
- (21) Appl. No.: **29/637,070**
- (22) Filed: **Feb. 13, 2018**

- D403,396 S 12/1998 Lundbom et al.
- D408,910 S 4/1999 Lundbom et al.
- D425,614 S * 5/2000 Chen D24/101
- D430,285 S * 8/2000 Chen D24/101
- D431,076 S * 9/2000 Chen D24/102
- (Continued)

OTHER PUBLICATIONS

U.S. Appl. No. 29/531,123, filed Jun. 23, 2015, Parikh et al.
(Continued)

Primary Examiner — Charles D Hanson
(74) *Attorney, Agent, or Firm* — Jones Day

(57) **CLAIM**

The ornamental design for a pharmaceutical tablet, as shown and described.

DESCRIPTION

FIG. 1 is a top perspective view of a pharmaceutical tablet in accordance with the present design;
 FIG. 2 is a top plan view thereof;
 FIG. 3 is a bottom plan view thereof;
 FIG. 4 is a side elevational view thereof;
 FIG. 5 is the opposite side elevational view thereof;
 FIG. 6 is an end elevational view thereof;
 FIG. 7 is the opposite end elevational view thereof;
 FIG. 8 is a top perspective view of a pharmaceutical tablet in accordance with a second embodiment of the present design;
 FIG. 9 is a top plan view thereof;
 FIG. 10 is a bottom plan view thereof;
 FIG. 11 is a side elevational view thereof;
 FIG. 12 is the opposite side elevational view thereof;
 FIG. 13 is an end elevational view thereof; and,
 FIG. 14 is the opposite end elevational view thereof.
 Portions of the tablet are shown in broken lines to indicate that those portions form no part of the claimed design.

Related U.S. Application Data

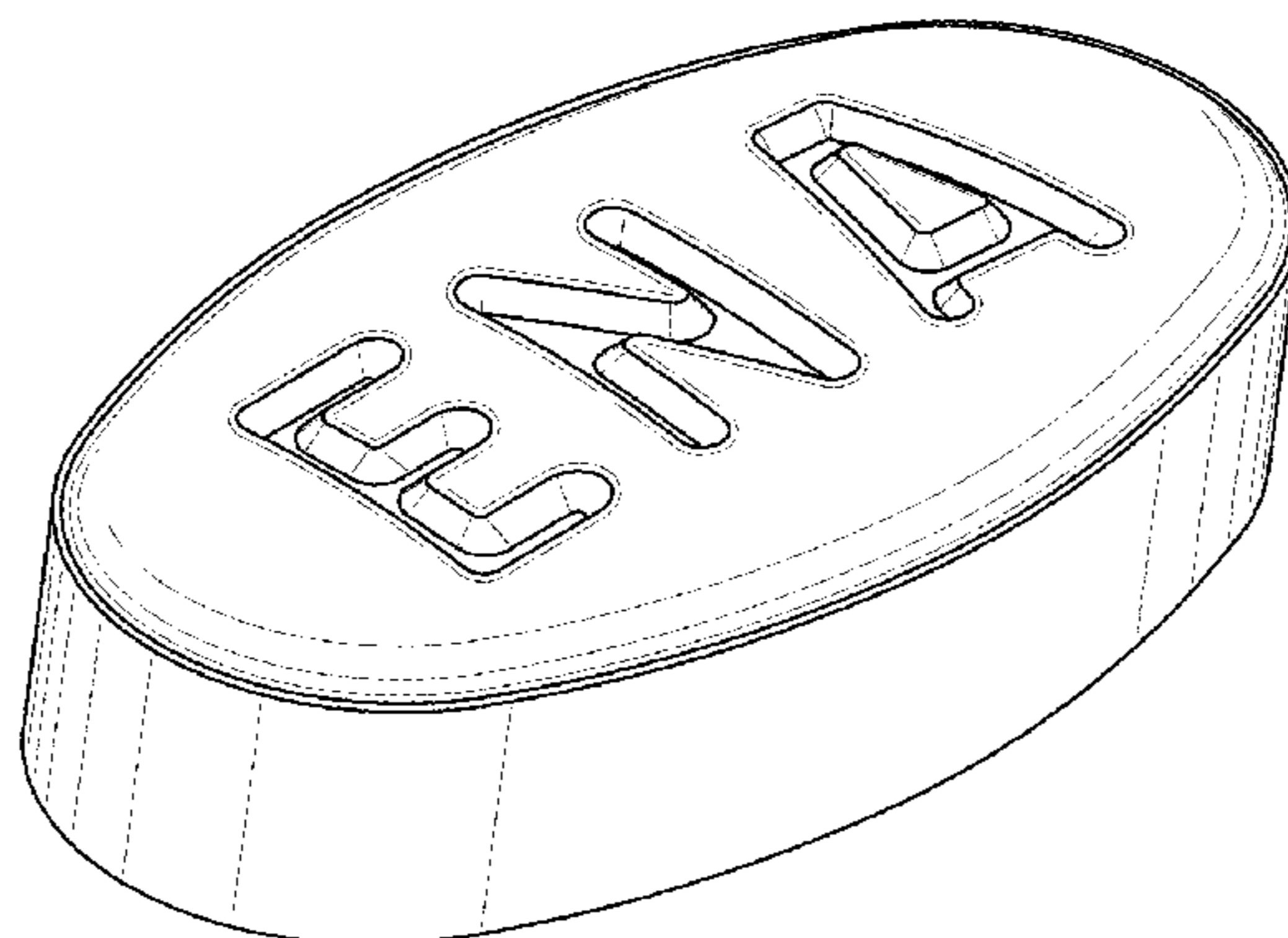
- (63) Continuation of application No. 29/594,820, filed on Feb. 22, 2017, now Pat. No. Des. 813,372.
- (51) **LOC (11) Cl.** **24-01**
- (52) **U.S. Cl.**
USPC **D24/101**
- (58) **Field of Classification Search**
USPC D24/100–104
CPC A61K 9/20; A61K 9/209; A61K 9/2077;
A61K 9/5078; A61K 9/4891; A61K 9/167;
A61K 9/2072; A61K 9/2081;
A61K 9/2086; A61K 8/11
See application file for complete search history.

(56) **References Cited**

U.S. PATENT DOCUMENTS

- D31,133 S 7/1899 Lantz
- D301,764 S 6/1989 Contractor et al.
- D302,051 S 7/1989 Contractor et al.
- 5,770,225 A 6/1998 Parekh et al.
- 5,824,338 A 10/1998 Jacobs et al.

1 Claim, 6 Drawing Sheets



(56)

References Cited

U.S. PATENT DOCUMENTS

D434,846 S 12/2000 Chen et al.
6,165,513 A 12/2000 Dansereau et al.
D459,798 S * 7/2002 Desesquelle D24/101
D506,544 S 6/2005 Rinker et al.
D515,202 S 2/2006 Chen et al.
D534,646 S 1/2007 Chang et al.
D535,021 S 1/2007 Stawski et al.
D564,086 S 3/2008 Nielsen et al.
D671,636 S 11/2012 Nishino
D735,315 S * 7/2015 Bhat D24/101
D741,990 S 10/2015 Ramos
D754,841 S * 4/2016 Waldman D24/101
D755,949 S * 5/2016 Ramos D24/101
D771,236 S * 11/2016 Becker D1/114
D787,042 S 5/2017 Parikh et al.
D787,043 S 5/2017 Parikh et al.
D813,372 S * 3/2018 Parikh D24/101

OTHER PUBLICATIONS

United States Patent and Trademark Office, Office Action issued in U.S. Appl. No. 29/524,022, dated Apr. 6, 2016.

United States Patent and Trademark Office, Final Office Action issued in U.S. Appl. No. 29/524,022, dated Oct. 18, 2016.
United States Patent and Trademark Office, Office Action issued in U.S. Appl. No. 29/524,022, dated Jan. 10, 2017.
United States Patent and Trademark Office, Office Action issued in U.S. Appl. No. 29/525,253, dated Apr. 11, 2016.
United States Patent and Trademark Office, Final Office Action issued in U.S. Appl. No. 29/525,253, dated Oct. 18, 2016.
United States Patent and Trademark Office, Notice of Allowance issued in U.S. Appl. No. 29/525,253, dated Jan. 13, 2017.
United States Patent and Trademark Office, Office Action issued in U.S. Appl. No. 29/531,113, dated Apr. 12, 2016.
United States Patent and Trademark Office, Final Office Action issued in U.S. Appl. No. 29/531,113, dated Oct. 18, 2016.
United States Patent and Trademark Office, Notice of Allowance issued in U.S. Appl. No. 29/531,113, dated Jan. 17, 2017.
United States Patent and Trademark Office, Office Action issued in U.S. Appl. No. 29/531,123, dated Apr. 11, 2016.
United States Patent and Trademark Office, Final Office Action issued in U.S. Appl. No. 29/531,123, dated Oct. 18, 2016.

* cited by examiner

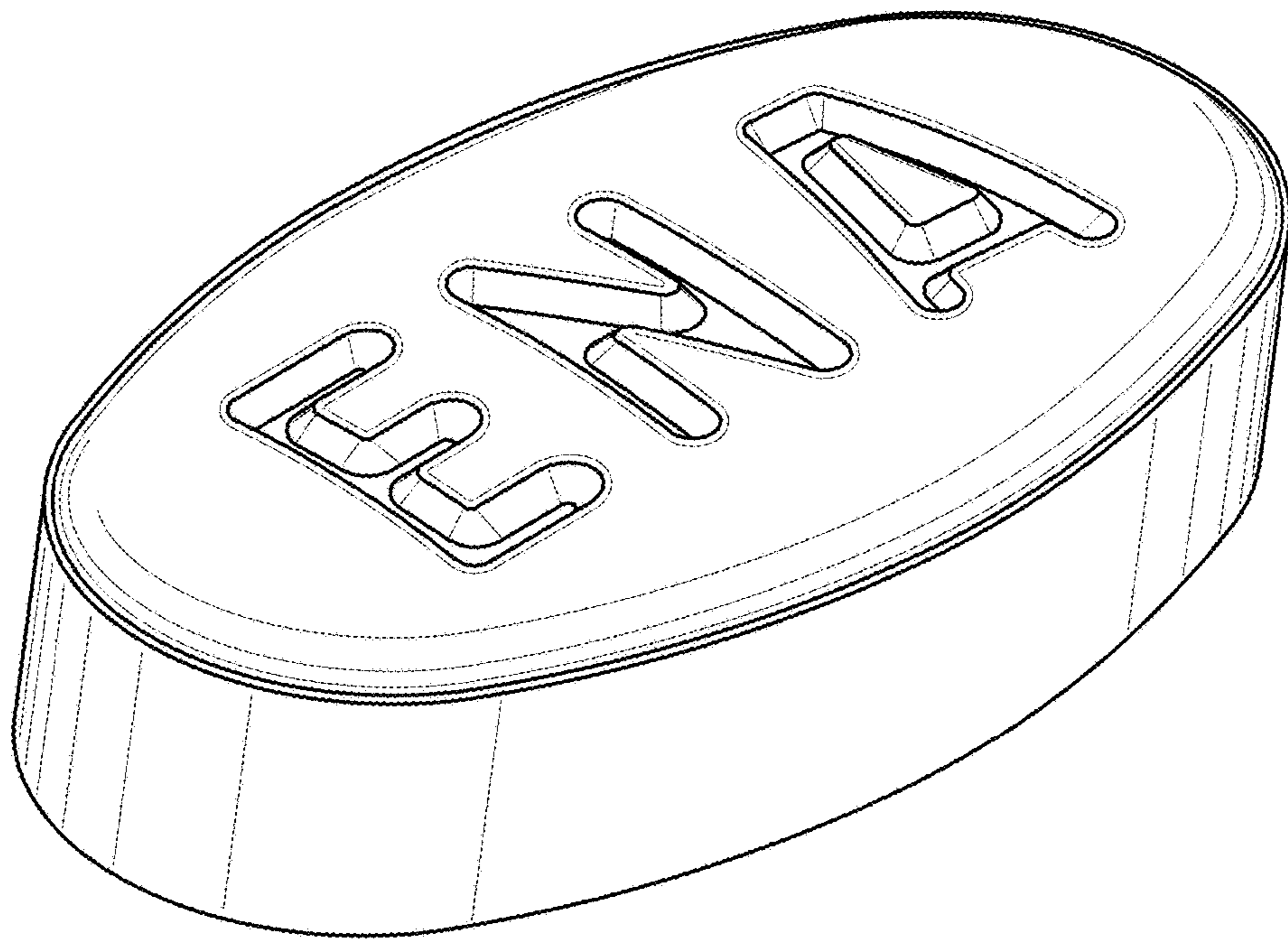


FIG. 1

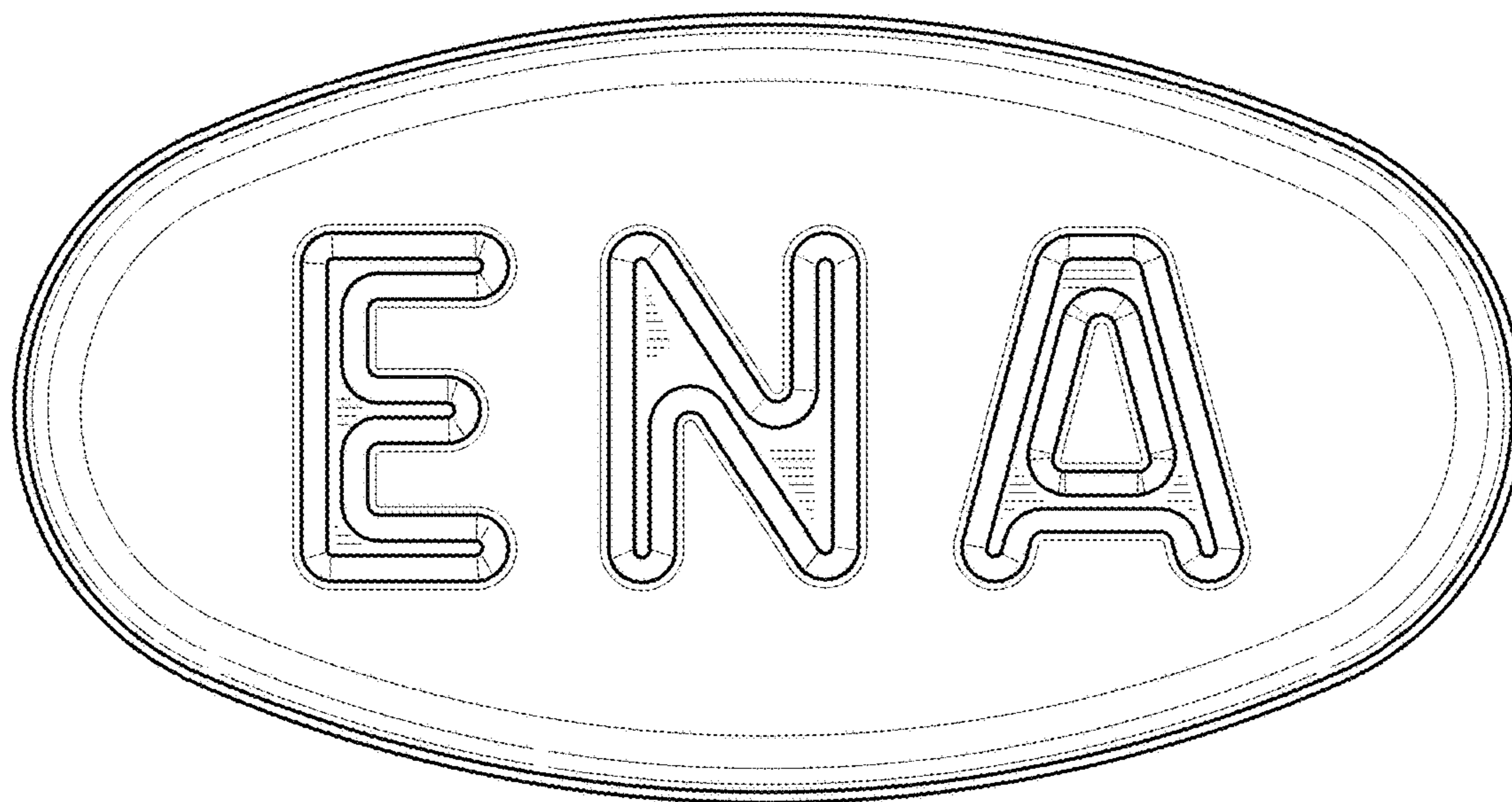


FIG. 2

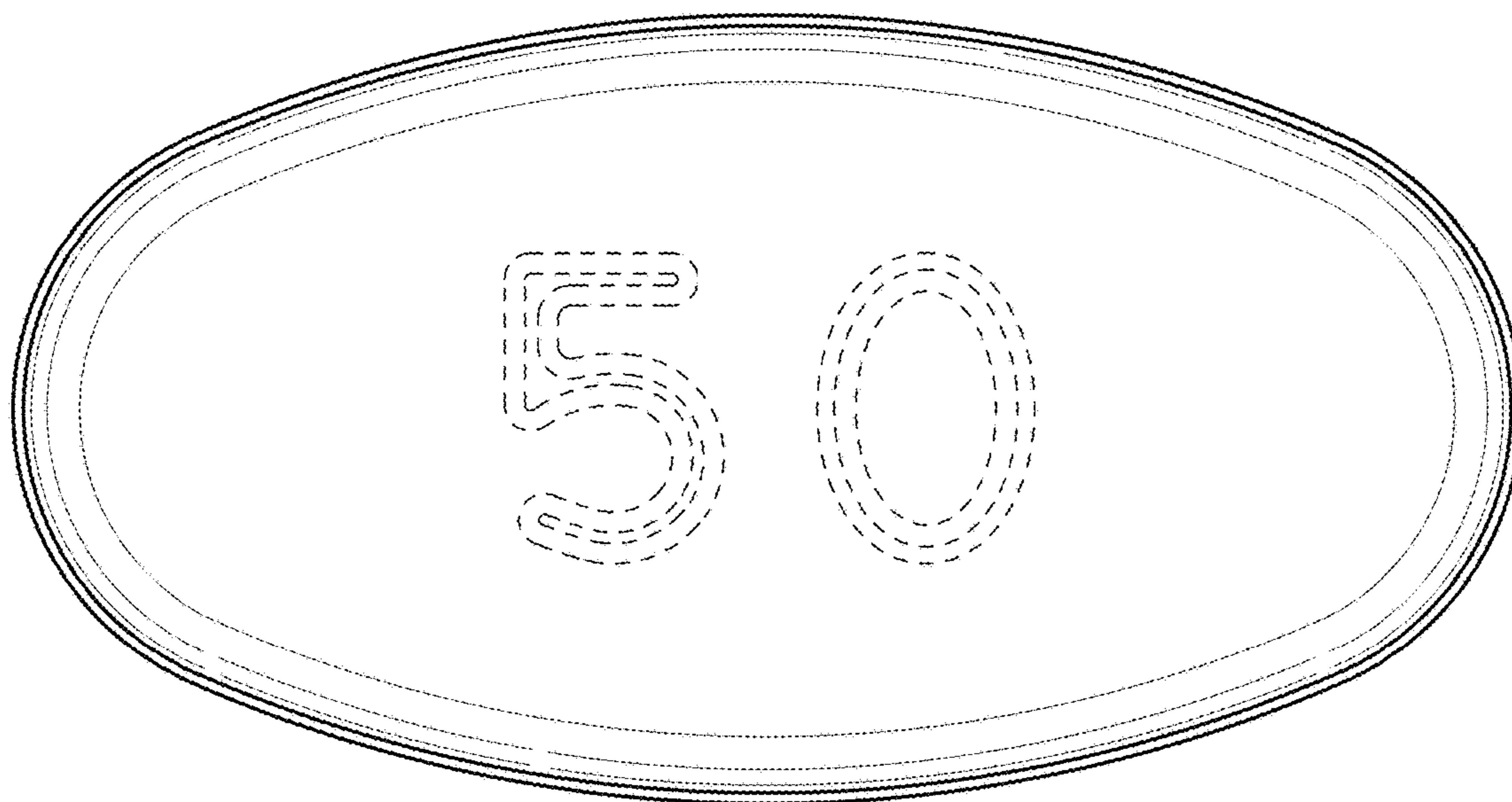


FIG. 3

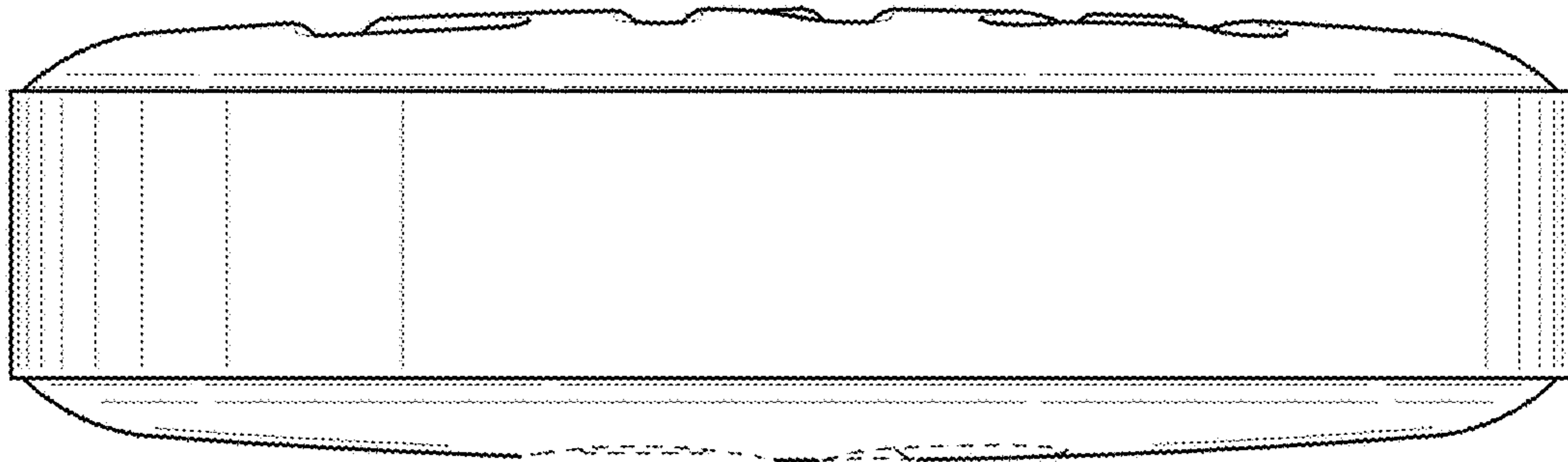


FIG. 4

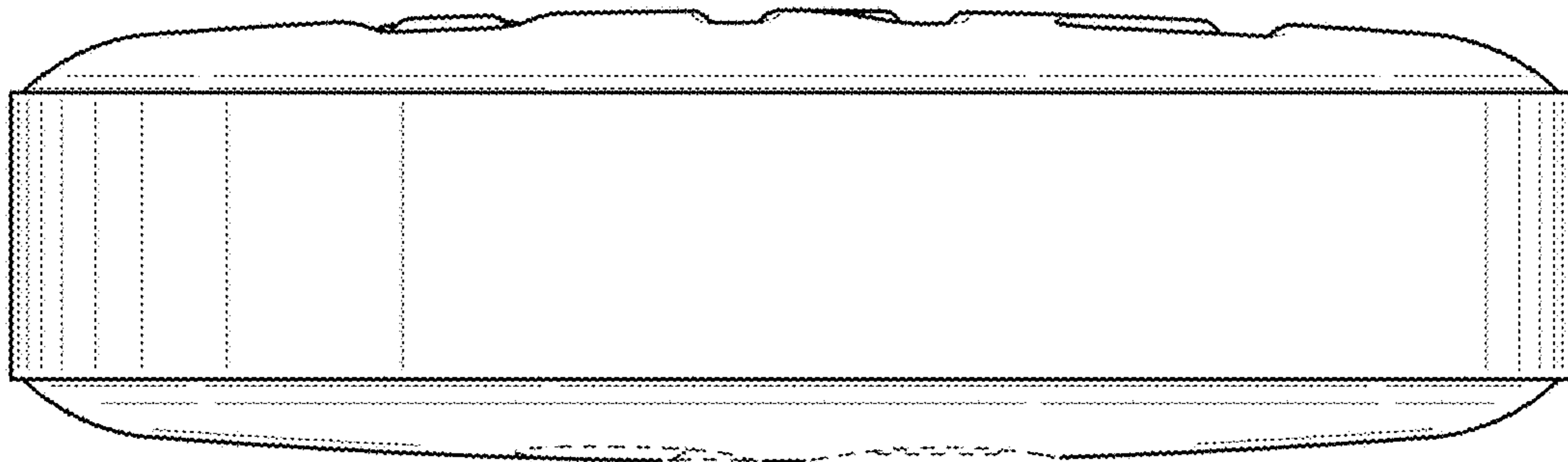


FIG. 5

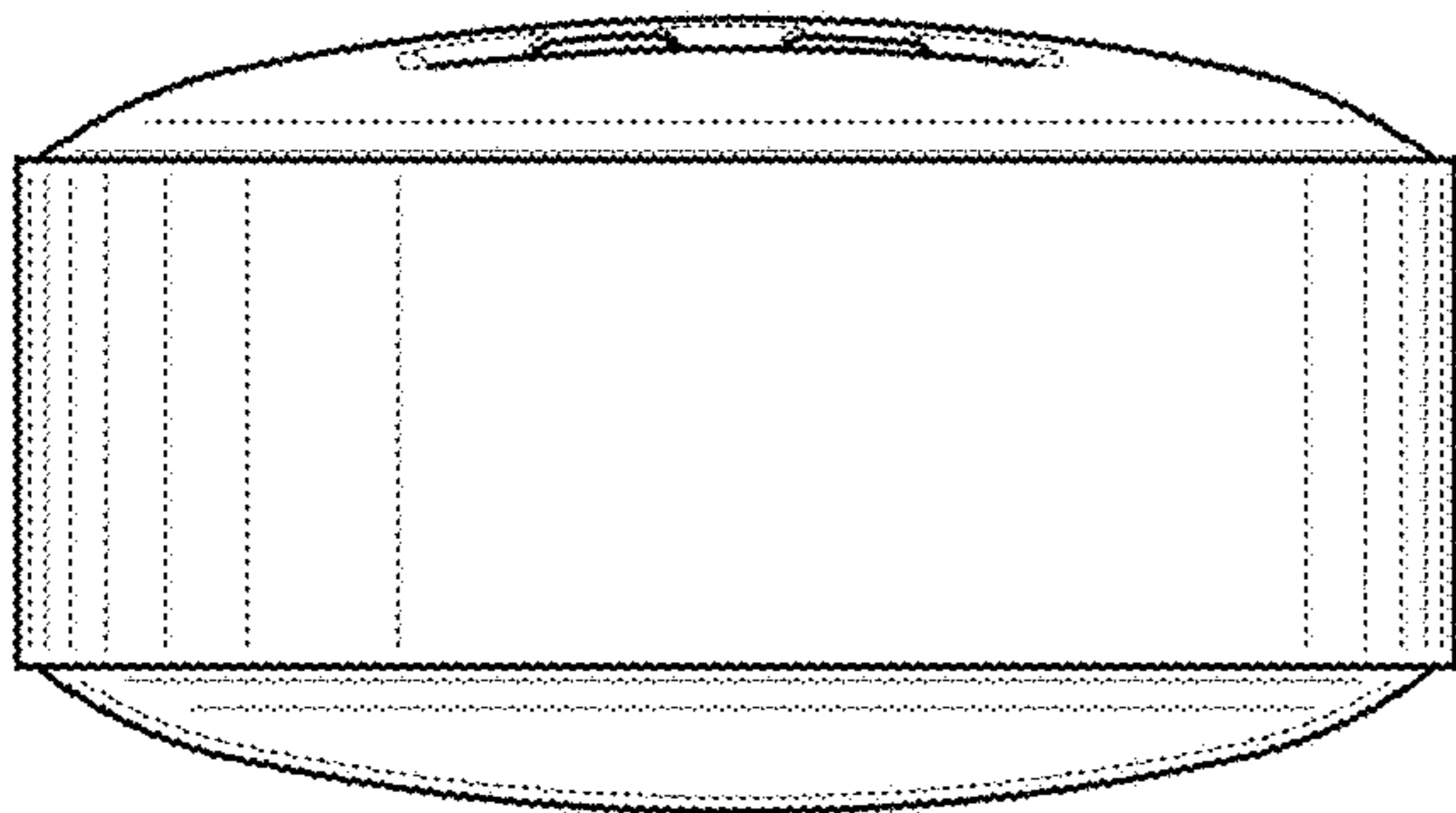


FIG. 6

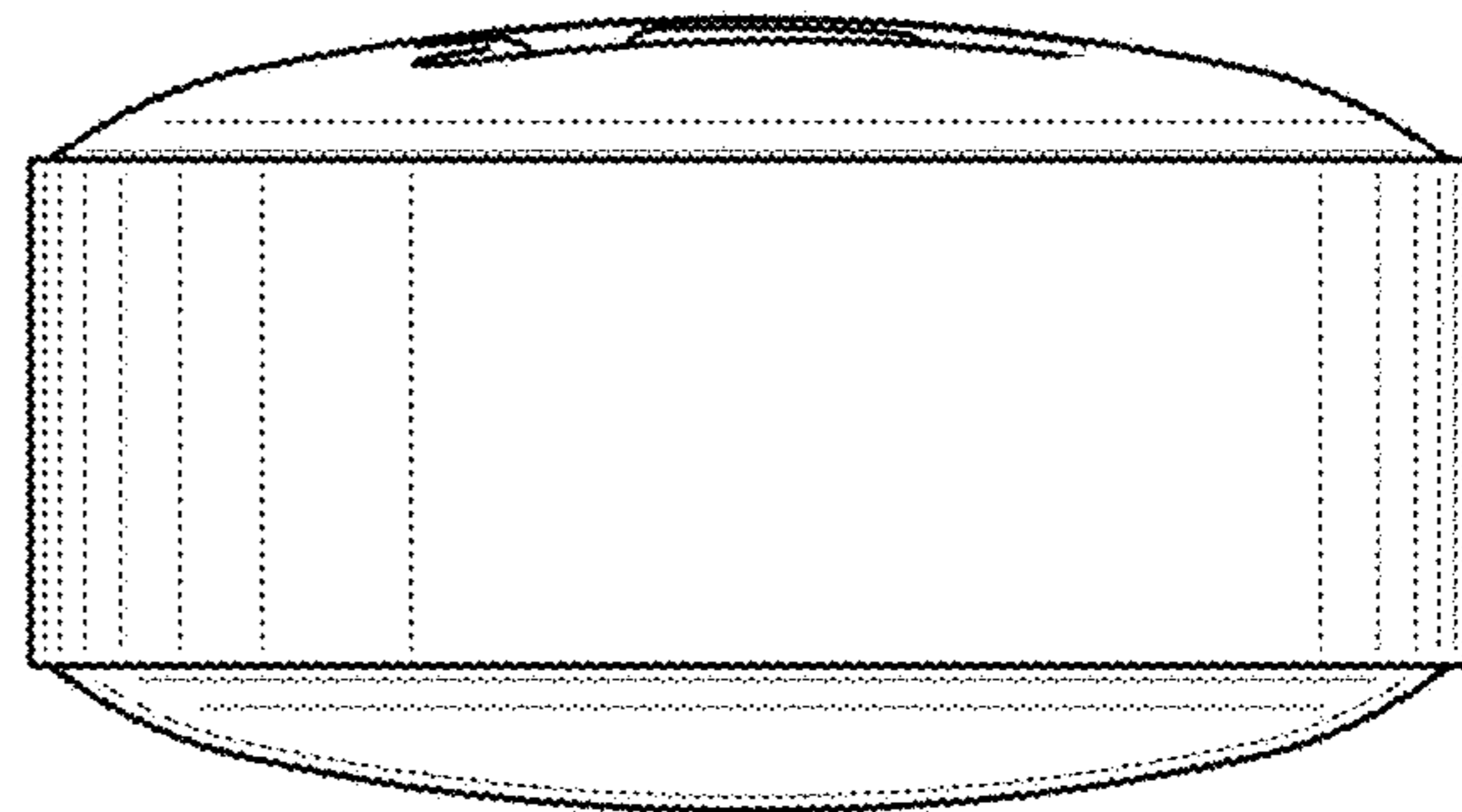


FIG. 7

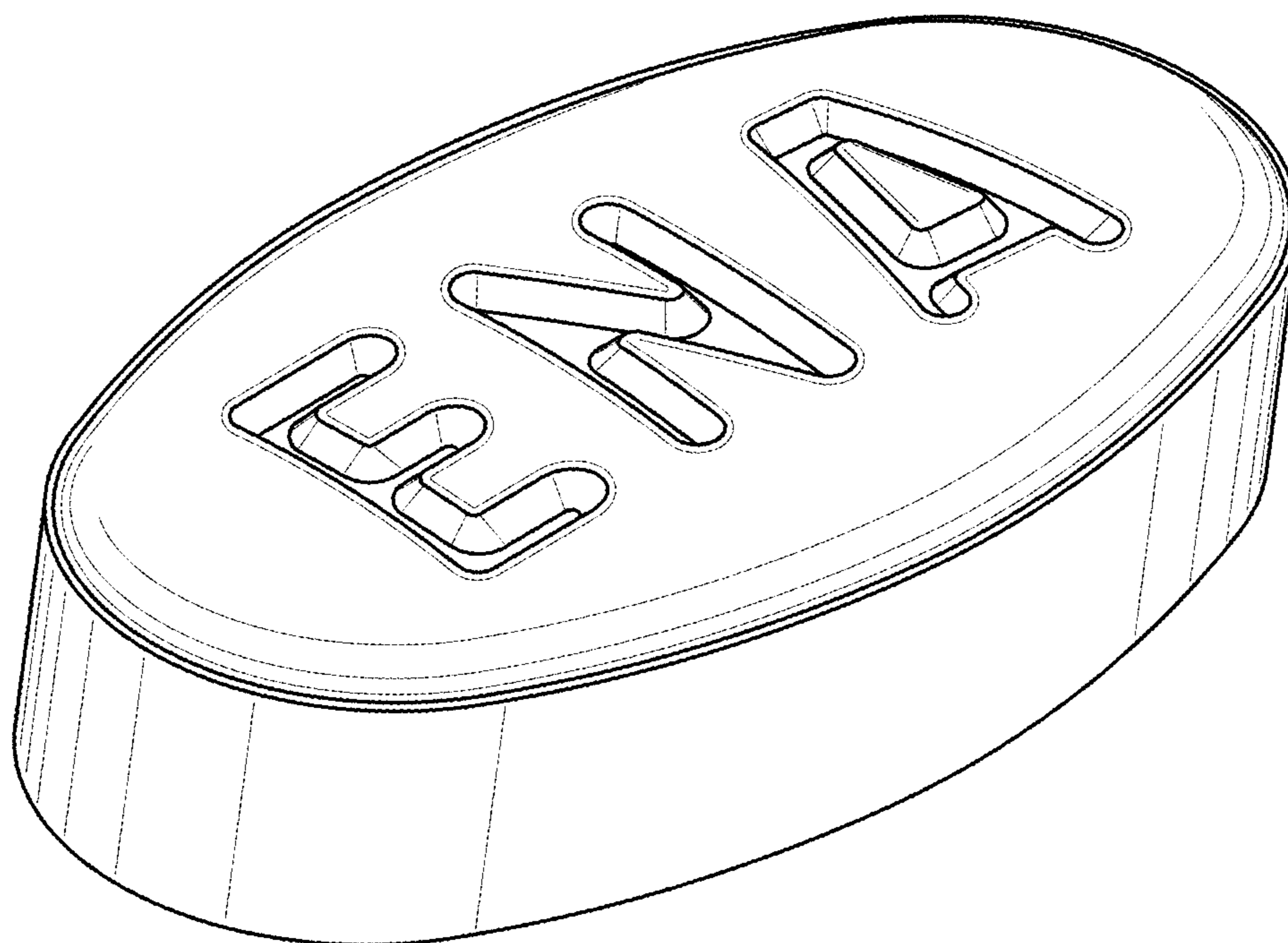


FIG. 8

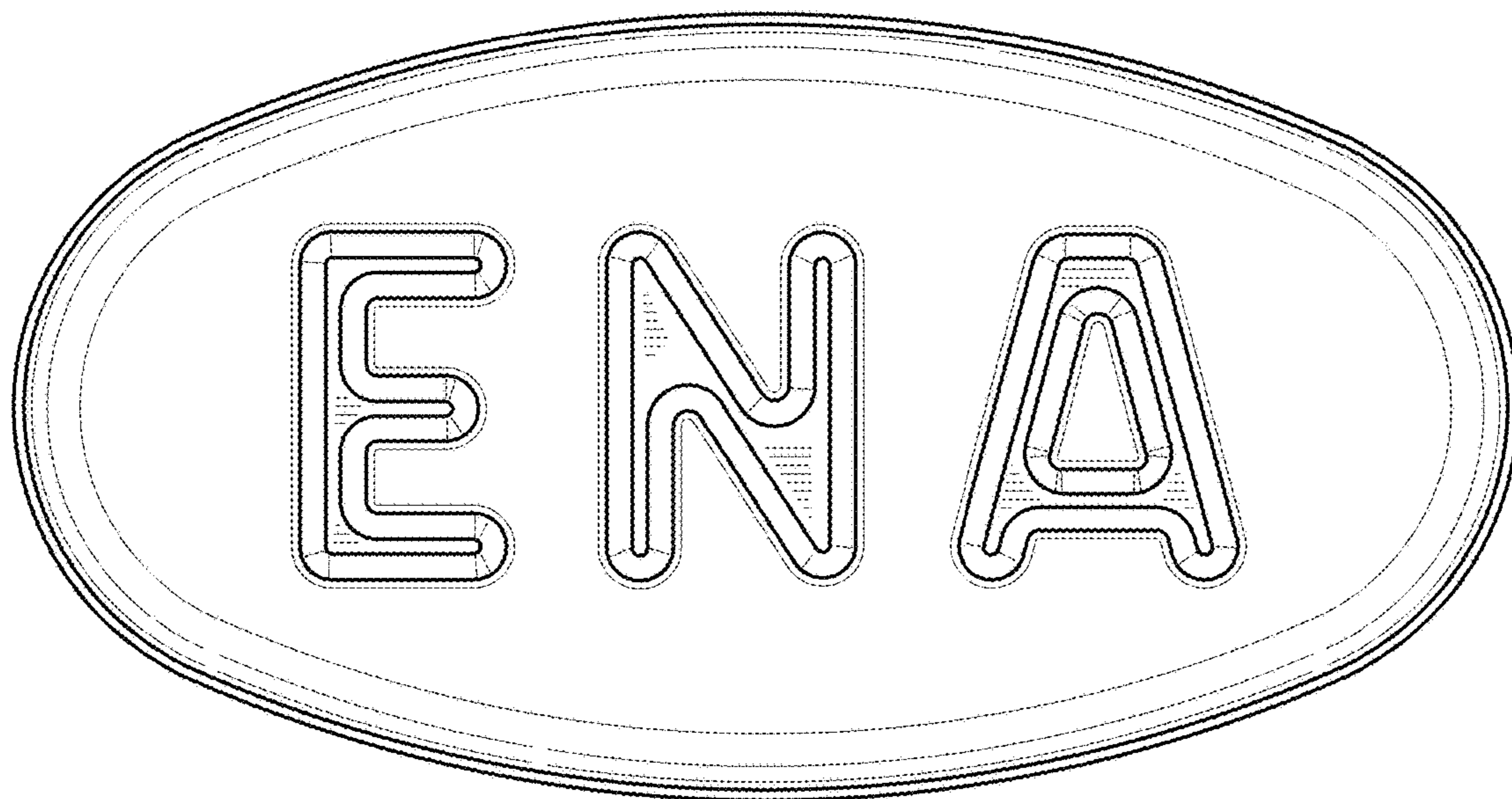


FIG. 9

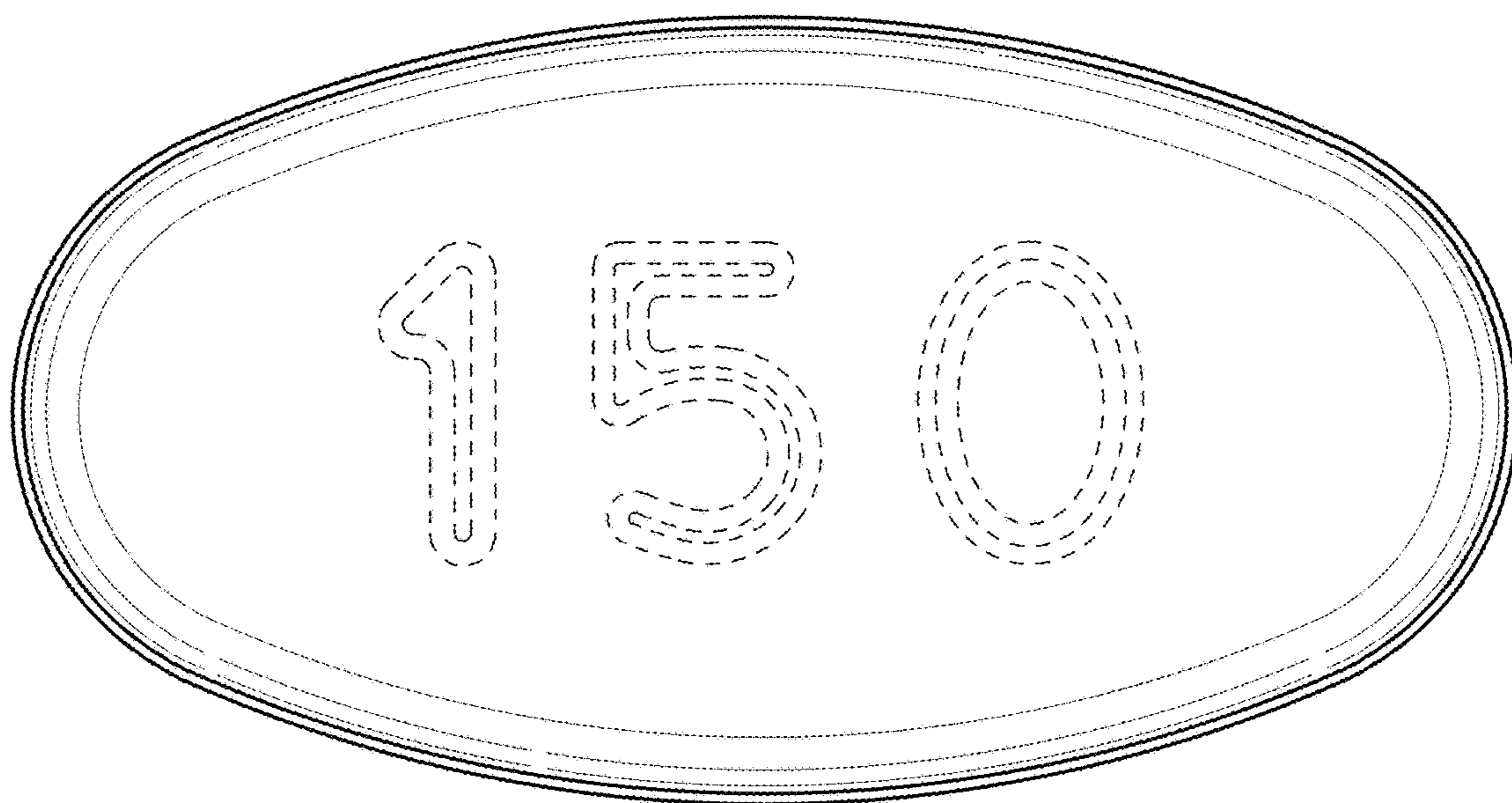


FIG. 10

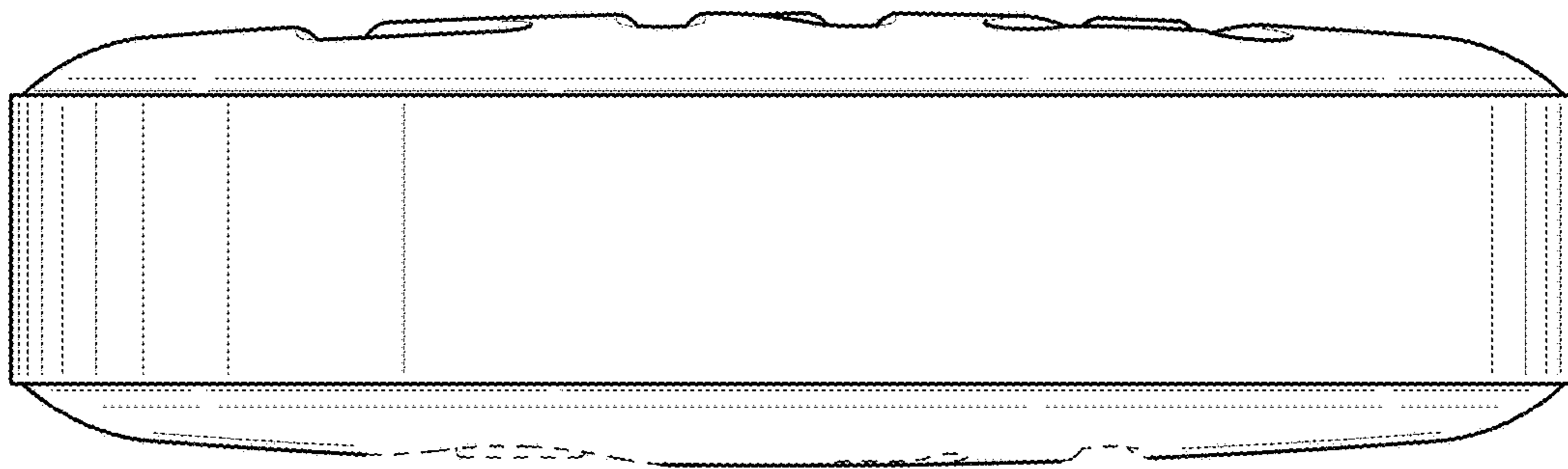


FIG. 11

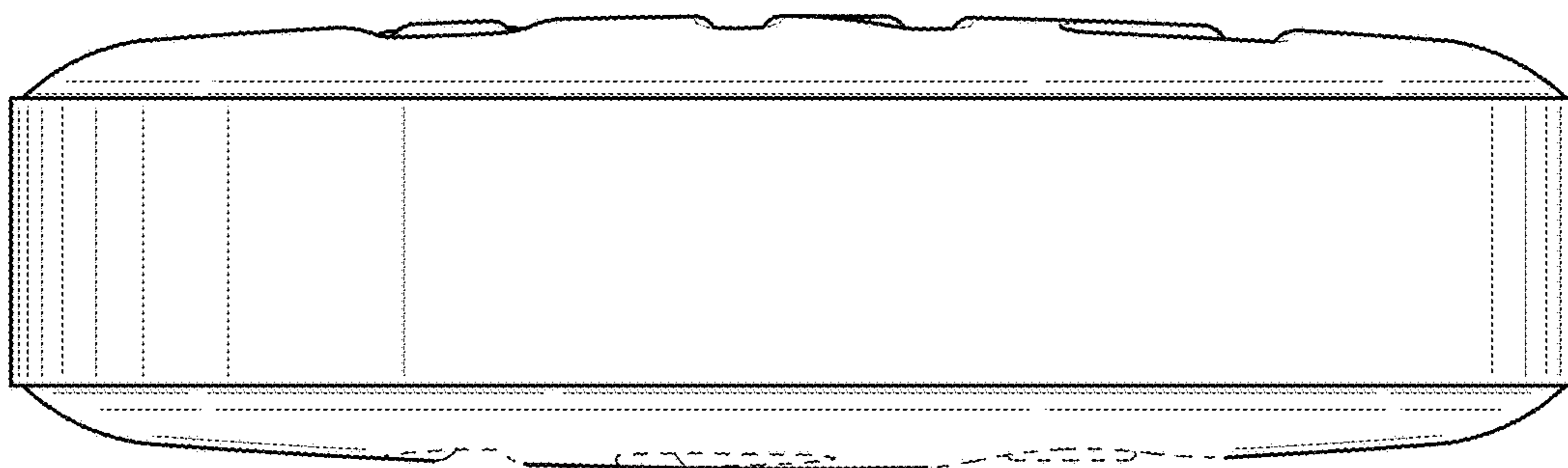


FIG. 12

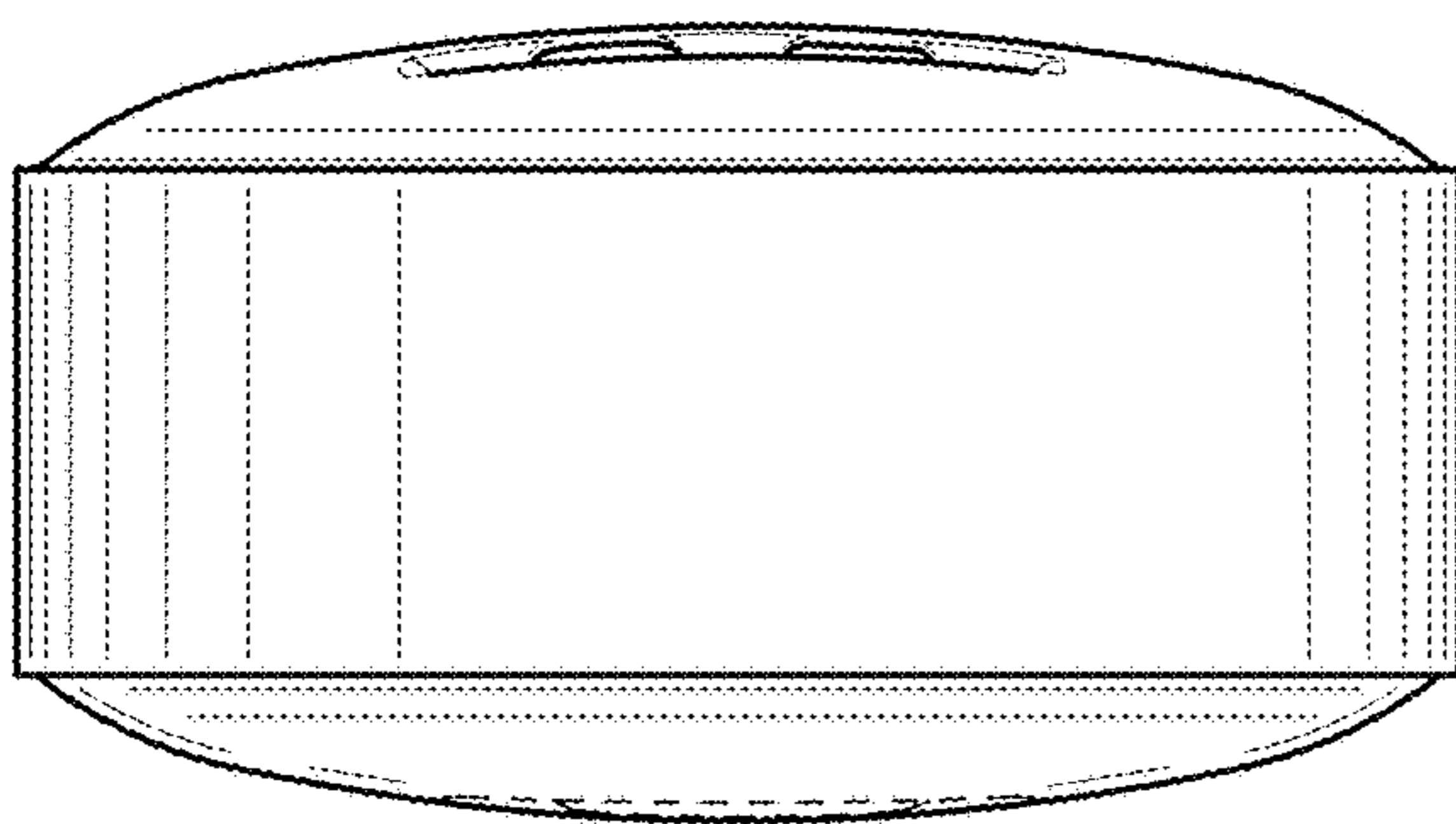


FIG. 13

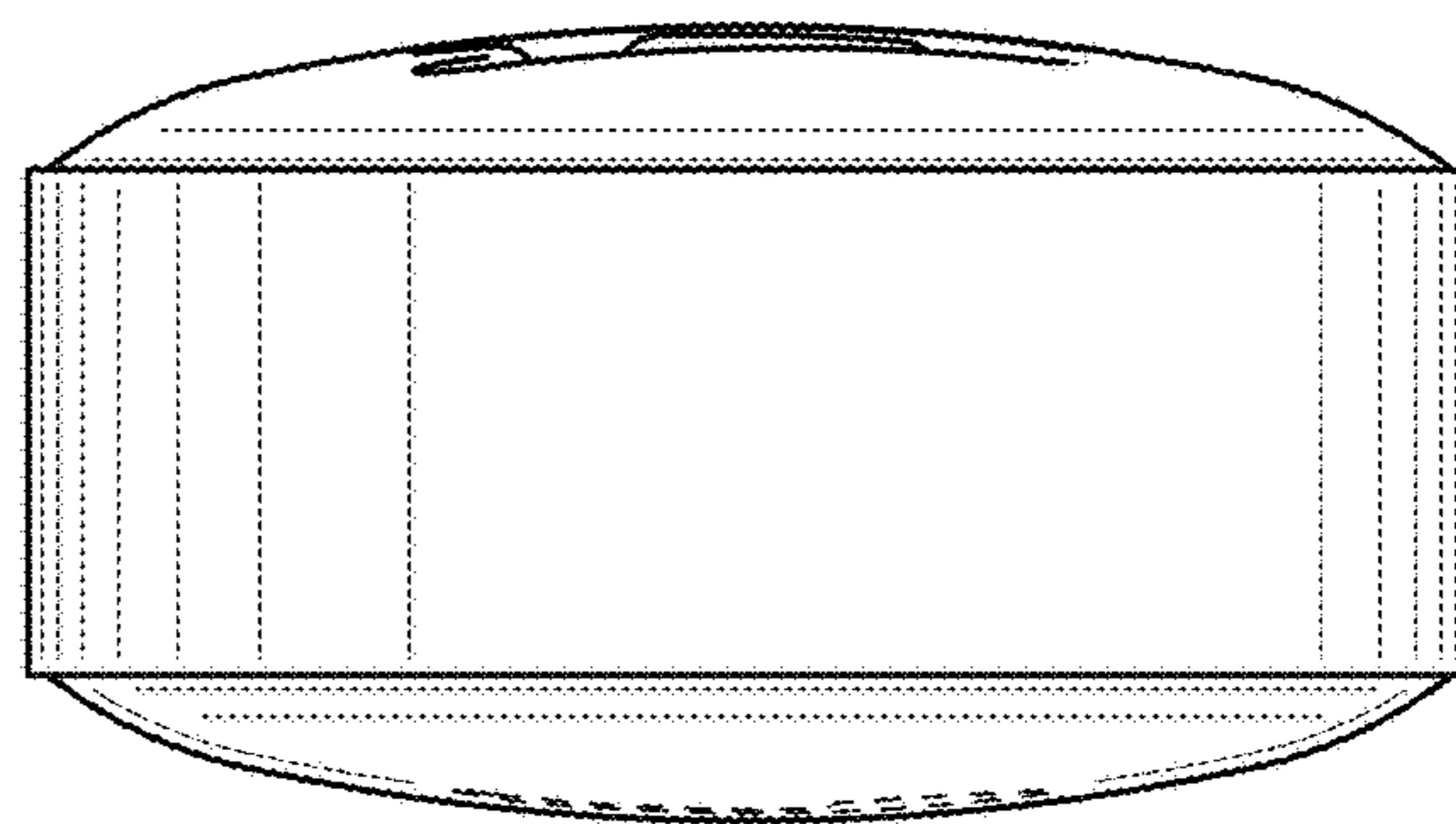


FIG. 14