



US00D835256S

(12) **United States Design Patent**
Hidalgo

(10) **Patent No.:** **US D835,256 S**

(45) **Date of Patent:** **** Dec. 4, 2018**

(54) **FAN WALL MOUNT**

(71) Applicant: **Minka Lighting, Inc.**, Corona, CA
(US)

(72) Inventor: **Rolando Hidalgo**, Yorba Linda, CA
(US)

(73) Assignee: **Minka Lighting, Inc.**, Corona, CA
(US)

(**) Term: **15 Years**

(21) Appl. No.: **29/650,774**

(22) Filed: **Jun. 8, 2018**

Related U.S. Application Data

(63) Continuation-in-part of application No. 29/590,108,
filed on Jan. 6, 2017.

(51) **LOC (11) Cl.** **23-04**

(52) **U.S. Cl.**
USPC **D23/411; D8/363**

(58) **Field of Classification Search**
USPC D23/370-379, 381-385, 411-414, 360,
D23/314, 335, 332; D26/59; D8/363,
D8/354
CPC F04D 5/00; F04D 27/00; F24H 3/04
See application file for complete search history.

(56) **References Cited**

U.S. PATENT DOCUMENTS

D196,397 S *	9/1963	Knapp	D23/411
D329,696 S *	9/1992	Ediger	D23/411
D400,085 S *	10/1998	Haskin	D8/363
D429,810 S *	8/2000	Lee	D23/411
D486,173 S *	2/2004	Toste	D16/242

D489,809 S *	5/2004	Gajewski	D23/411
D523,550 S *	6/2006	Hidalgo	D23/411
D547,855 S *	7/2007	Russak	D23/411
D594,739 S *	6/2009	Lee	D8/363
D594,965 S *	6/2009	Bucher	D23/411
RE44,740 E *	2/2014	Ciungan	D14/452
D773,633 S *	12/2016	Wang	D23/385
D788,571 S *	6/2017	Richter	D8/355
2007/0166160 A1 *	7/2007	Russak	F04D 25/08 416/63
2018/0045223 A1 *	2/2018	Bailey	F04D 29/601

* cited by examiner

Primary Examiner — Janice Hallmark

(74) *Attorney, Agent, or Firm* — Baker & McKenzie LLP

(57) **CLAIM**

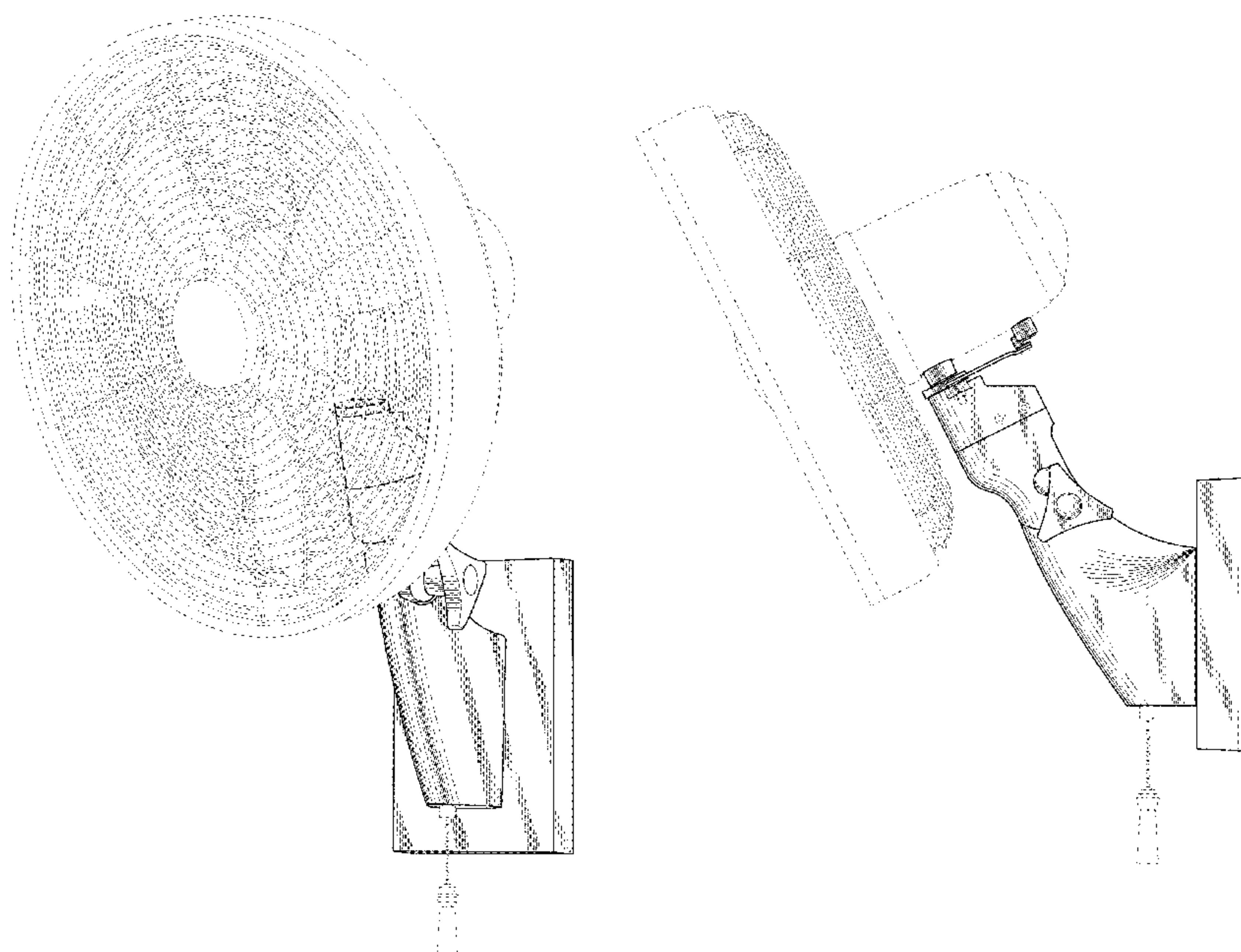
The ornamental design for a fan wall mount, as shown and described.

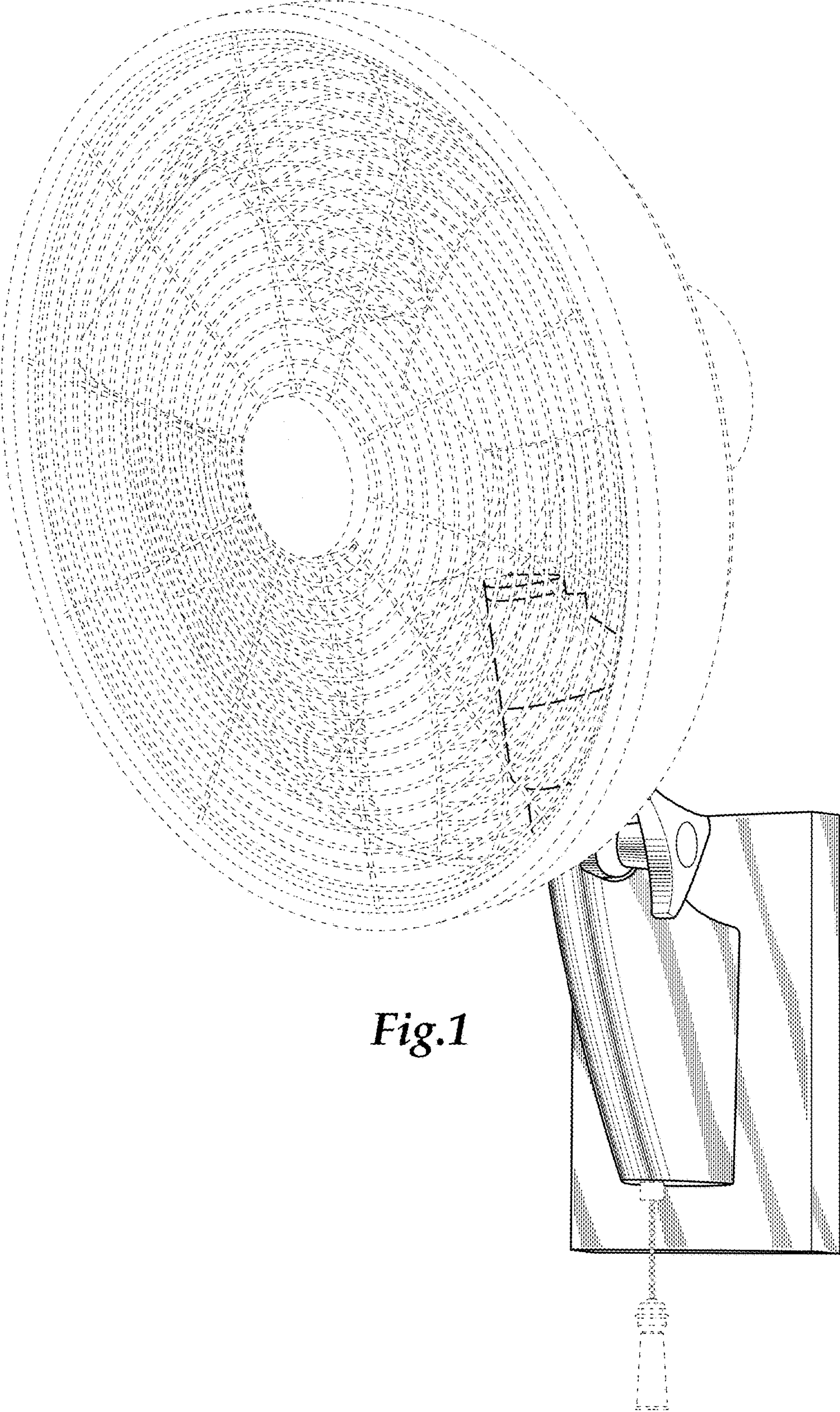
DESCRIPTION

FIG. 1 is a perspective view of a fan wall mount in accordance with my design, wherein a wall mount is in a first position;
 FIG. 2 is a top plan view thereof;
 FIG. 3 is a bottom plan view thereof;
 FIG. 4 is a front elevation view thereof;
 FIG. 5 is a rear elevation view thereof;
 FIG. 6 is a left elevation view thereof;
 FIG. 7 is a left elevation view, wherein the wall mount is in a second position;
 FIG. 8 is a left elevation view, wherein the wall mount is in a third position; and,
 FIG. 9 is a right elevation view, wherein the wall mount is in the first position.

The broken lines in the drawings illustrate portions of a fan that form no part of the claimed design.

1 Claim, 9 Drawing Sheets





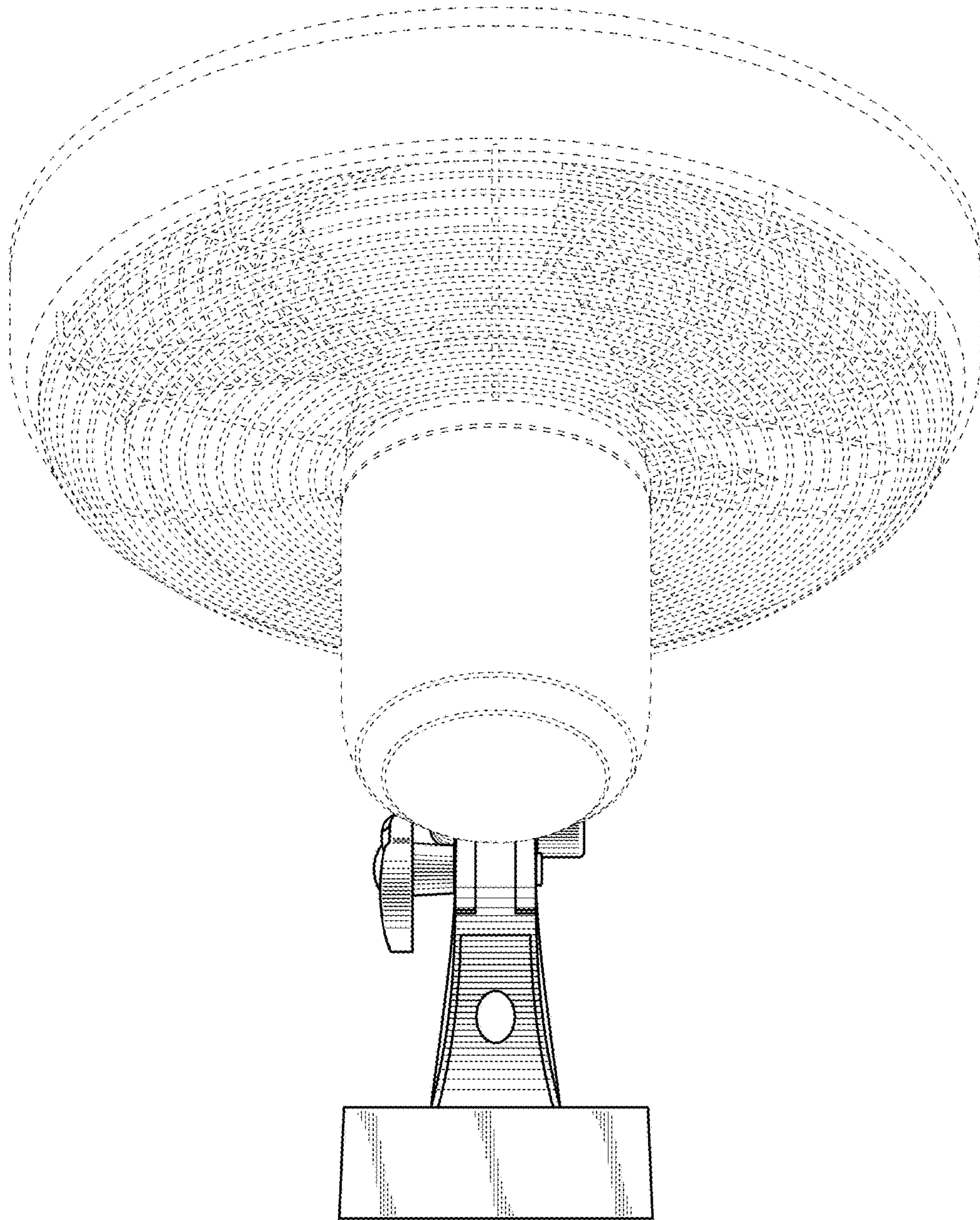


Fig.2

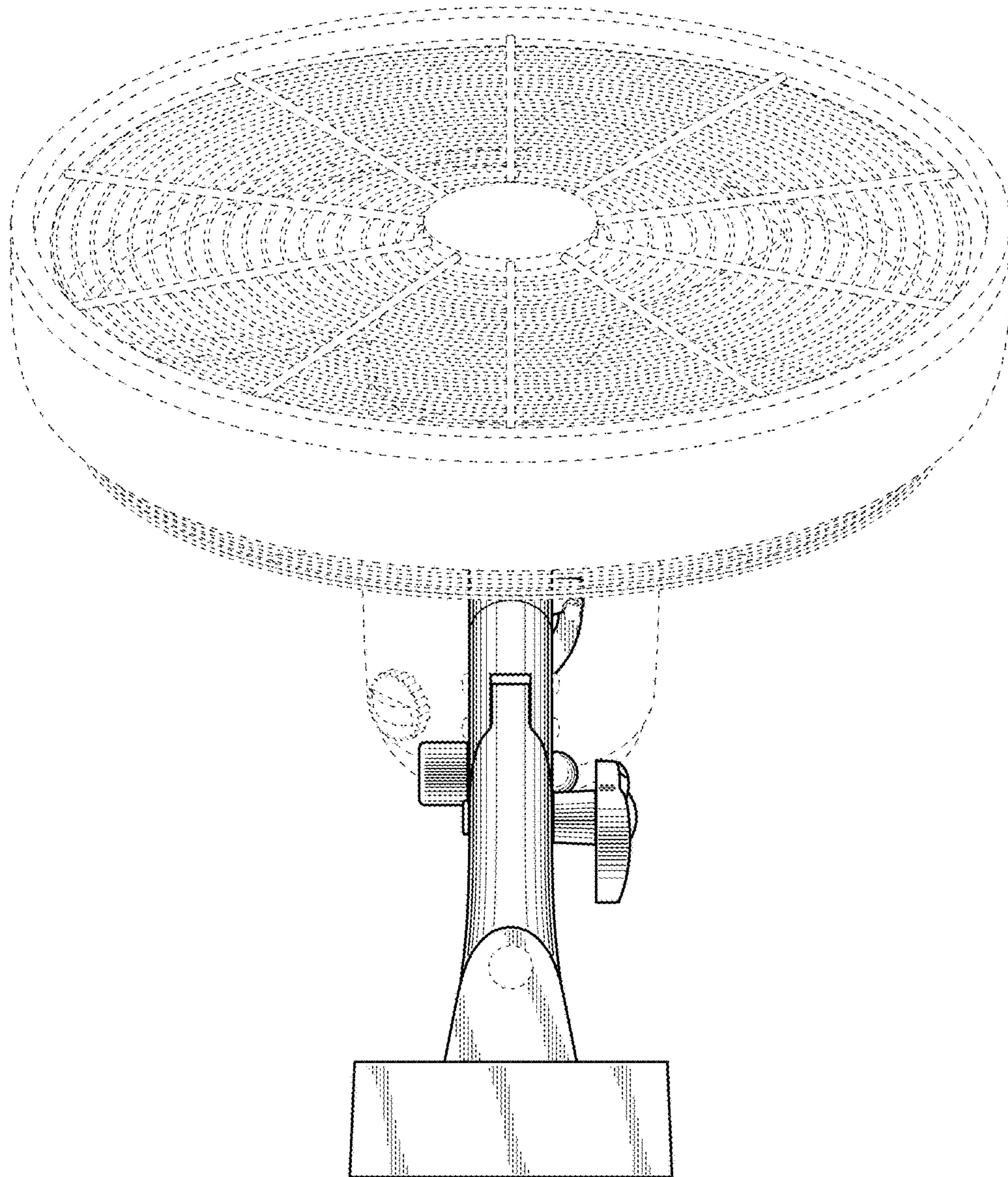


Fig.3

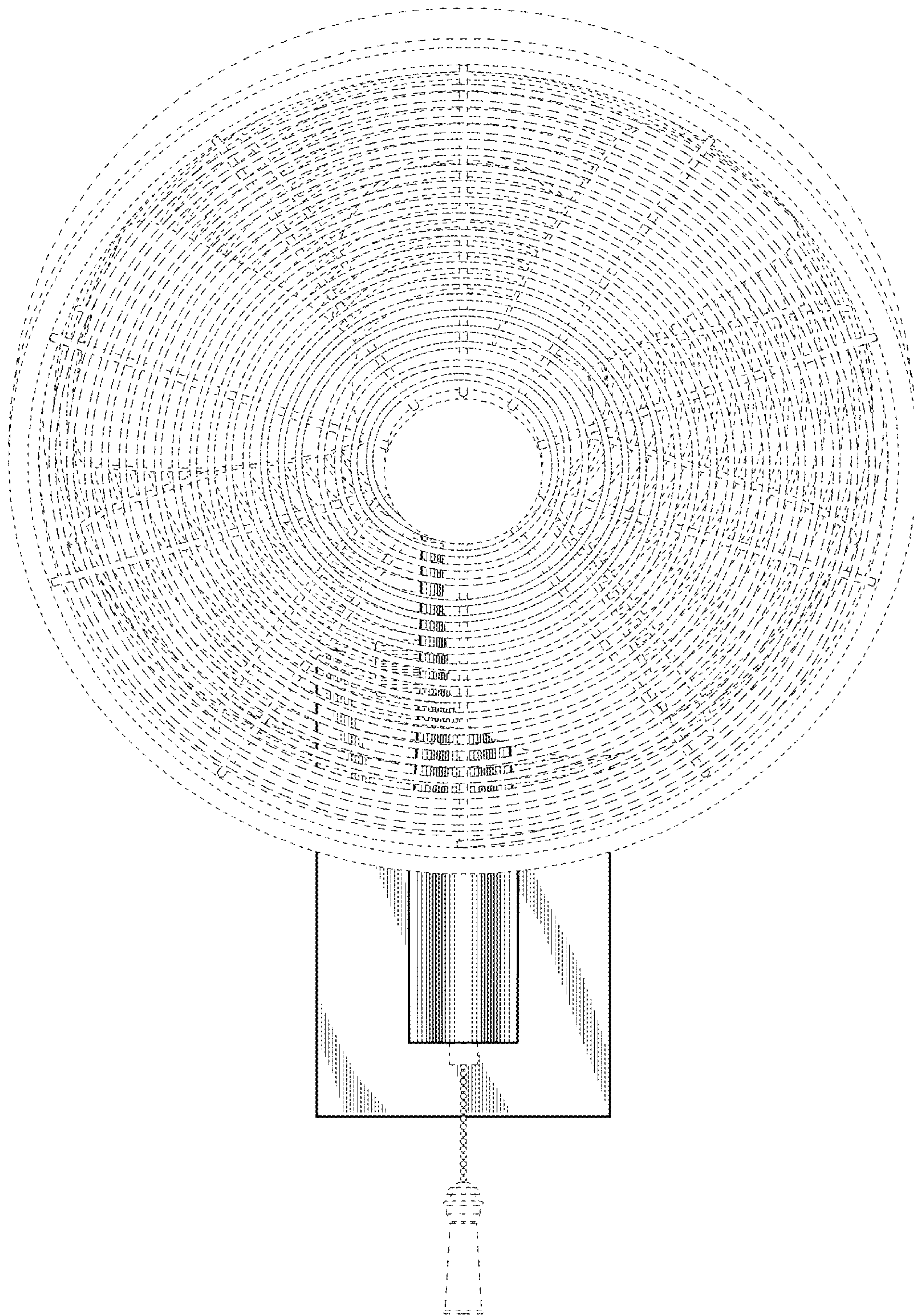


Fig.4

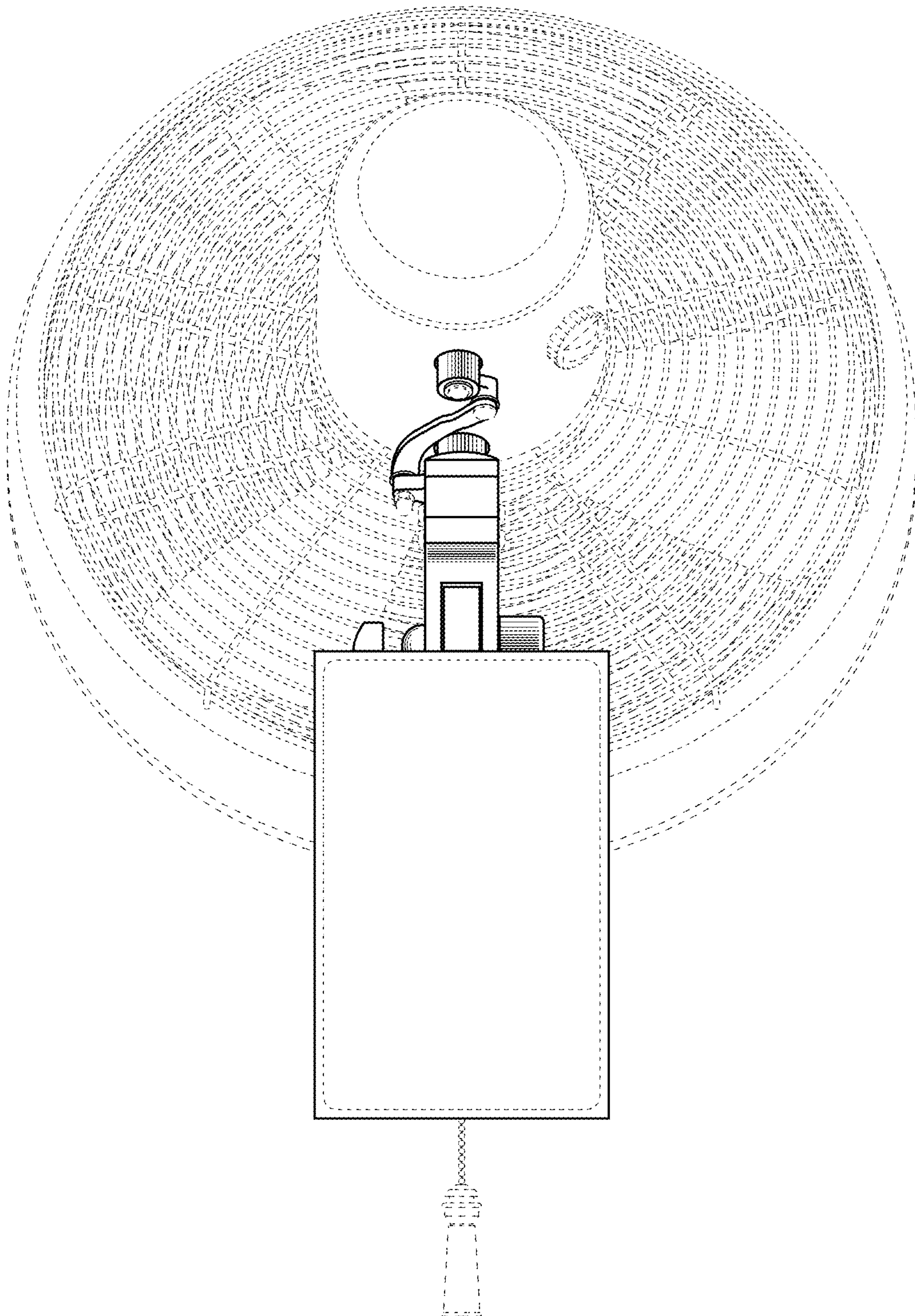


Fig.5

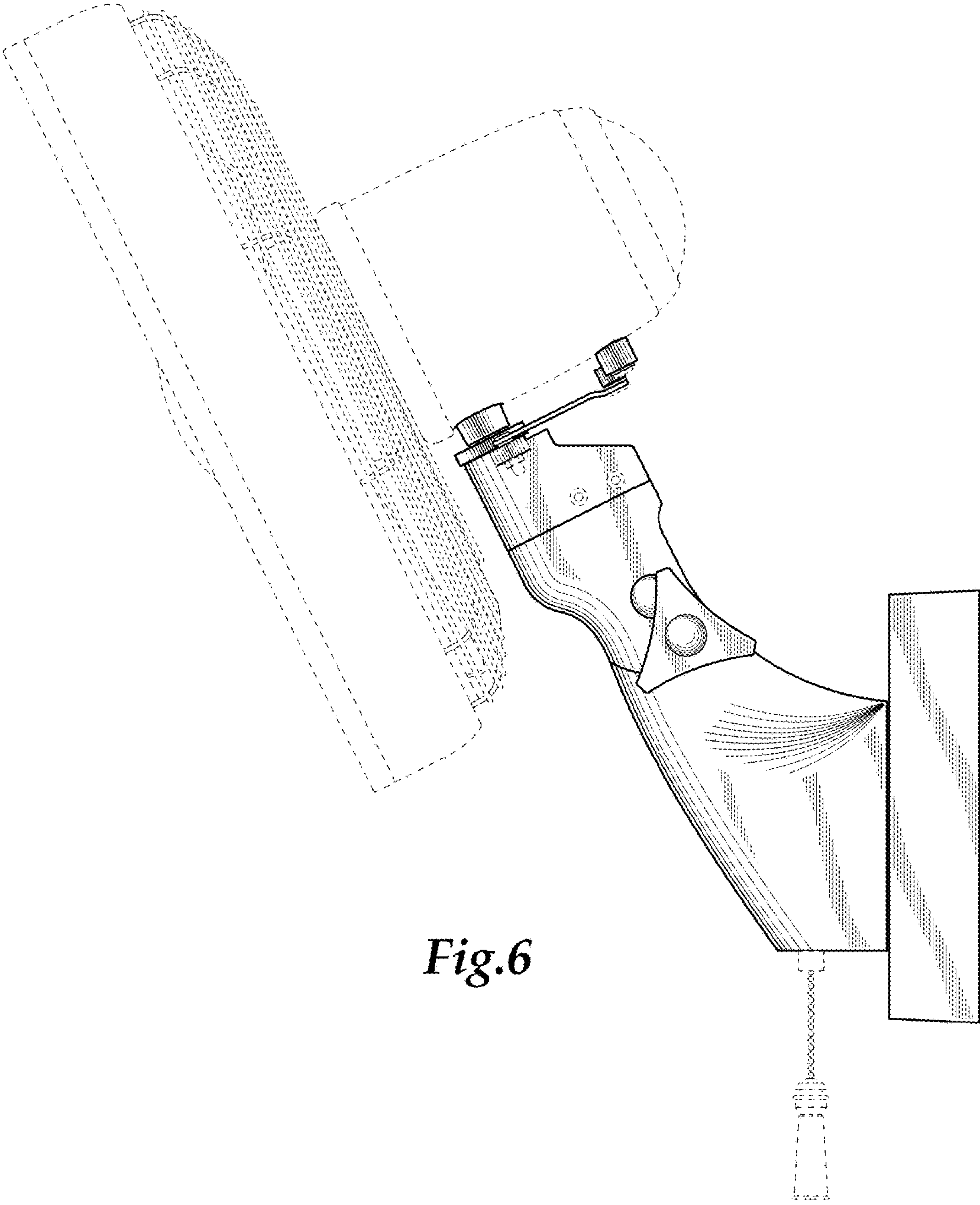


Fig.6

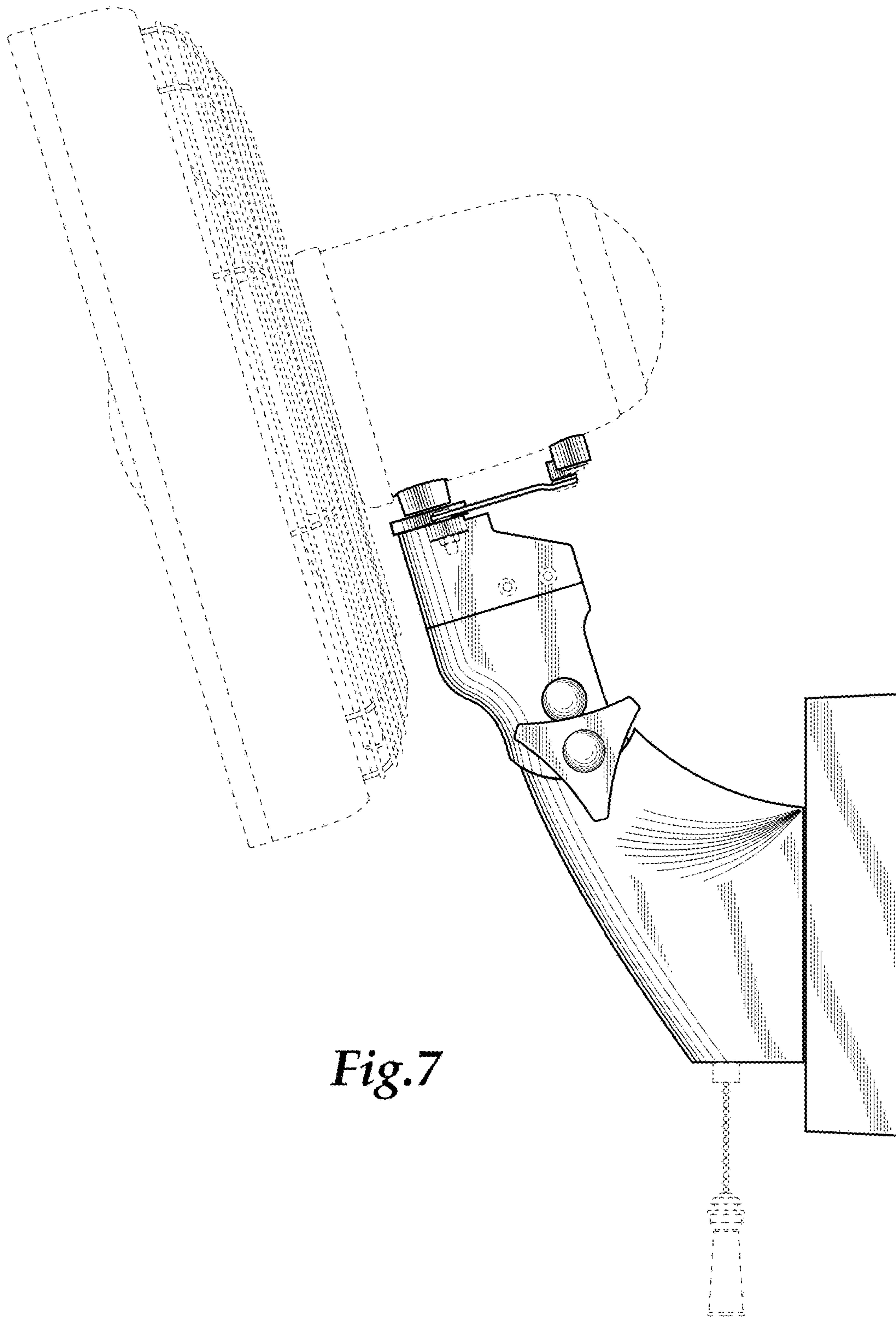


Fig. 7

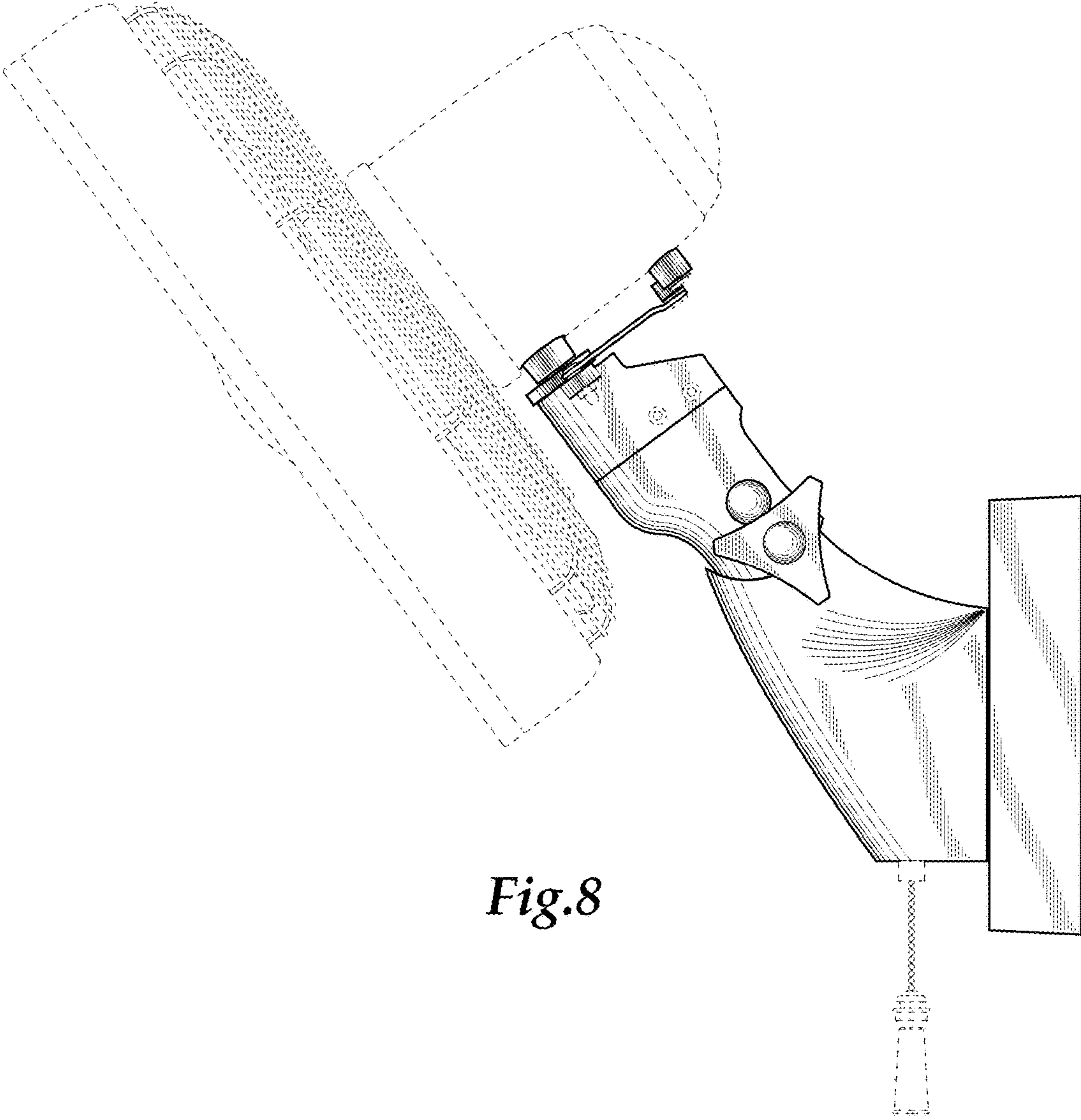


Fig.8

