



US00D835255S

(12) **United States Design Patent**
Jones

(10) **Patent No.:** **US D835,255 S**

(45) **Date of Patent:** **** Dec. 4, 2018**

(54) **CEILING FAN BLADE IRON**

(71) Applicant: **HUNTER FAN COMPANY**,
Memphis, TN (US)

(72) Inventor: **Stephen David Michael Jones**, Sandy
Springs, GA (US)

(73) Assignee: **Hunter Fan Company**, Memphis, TN
(US)

(**) Term: **15 Years**

(21) Appl. No.: **29/630,064**

(22) Filed: **Dec. 19, 2017**

Related U.S. Application Data

(60) Continuation of application No. 29/611,277, filed on
Jul. 20, 2017, now Pat. No. Des. 810,923, which is a
division of application No. 29/547,551, filed on Dec.
4, 2015, now Pat. No. Des. 799,660.

(51) **LOC (11) Cl.** **23-04**

(52) **U.S. Cl.**
USPC **D23/411**

(58) **Field of Classification Search**
USPC D23/370, 377, 379, 385, 411, 413;
D26/59
CPC F04D 25/08; F04D 29/388; F04D 29/34;
F04D 25/088

See application file for complete search history.

(56) **References Cited**

U.S. PATENT DOCUMENTS

D399,949 S * 10/1998 Chou D23/413
D400,671 S * 11/1998 Liu D23/413
D448,074 S * 9/2001 Bogazzi D23/411
D449,374 S * 10/2001 Campbell D23/411

(Continued)

OTHER PUBLICATIONS

<http://www.fanimation.com/products/jennix/>, Item Specification for
The Jennix Contemporary Elegance Fan, FPD7943MG, accessed
Dec. 4, 2015.

(Continued)

Primary Examiner — Janice Hallmark

(74) *Attorney, Agent, or Firm* — McGarry Bair PC

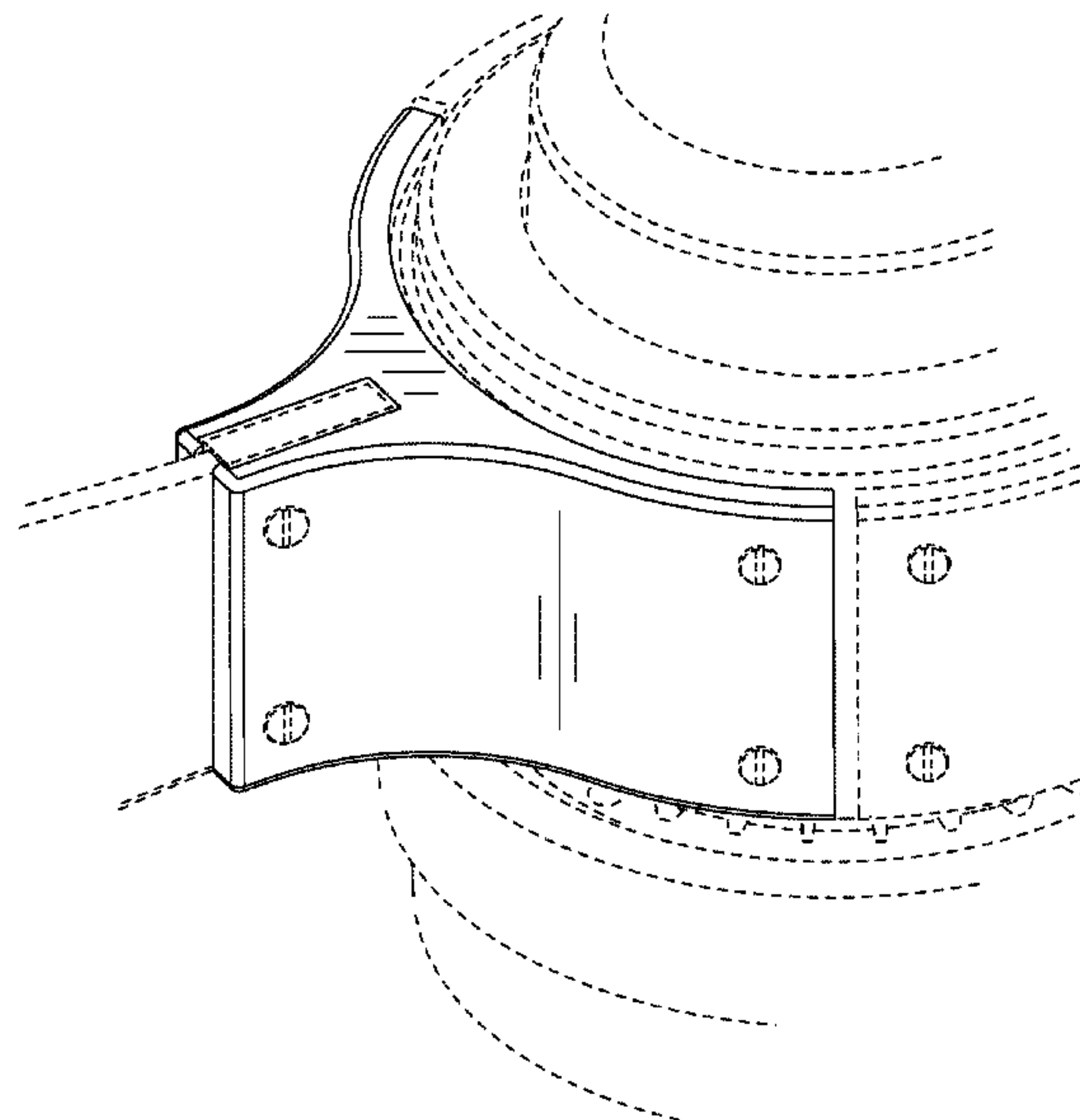
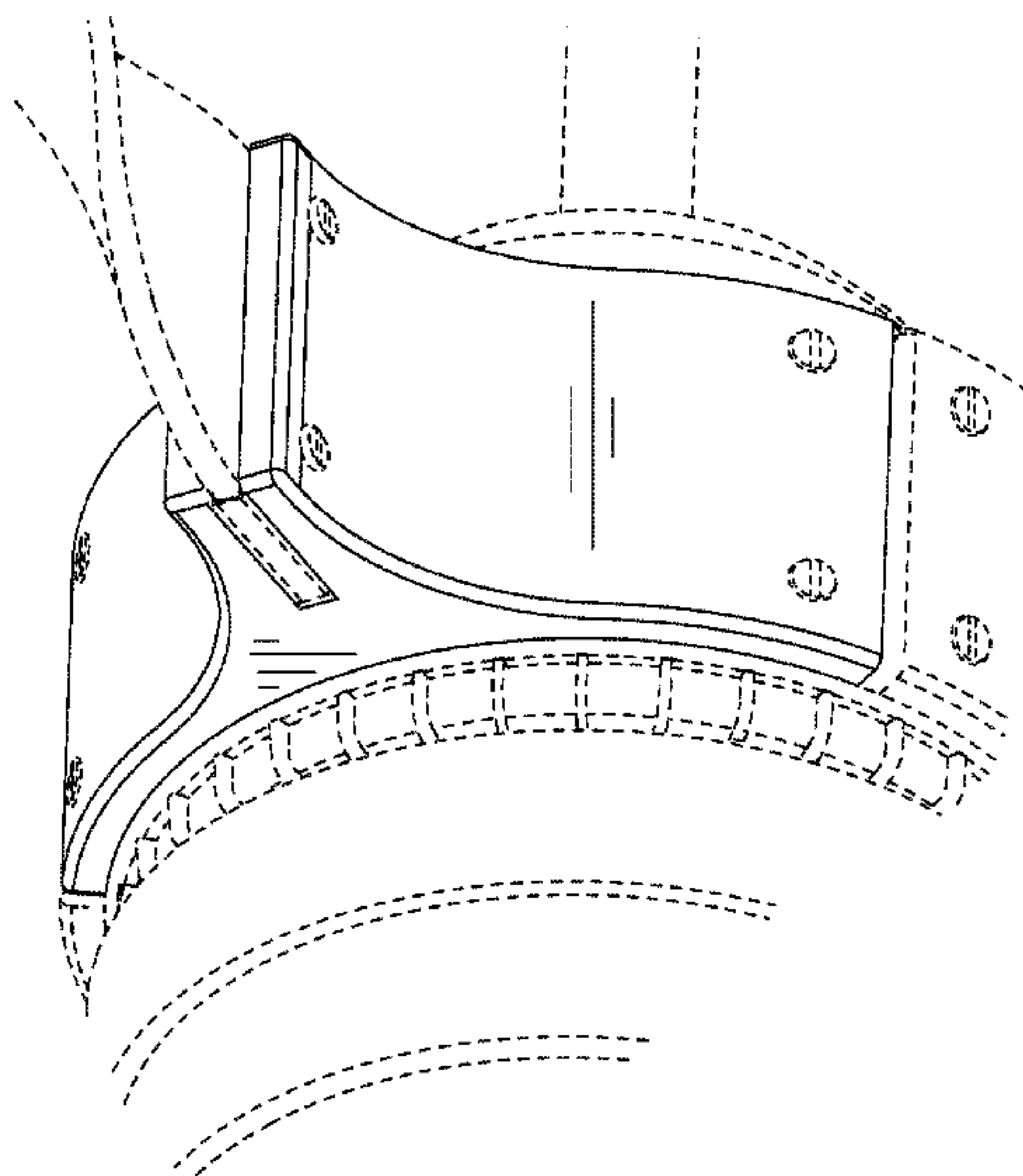
(57) **CLAIM**

The ornamental design for a ceiling fan blade iron, as shown
and described.

DESCRIPTION

FIG. 1 is a bottom perspective view of a ceiling fan;
FIG. 2 is a top perspective view of the ceiling fan of FIG. 1;
FIG. 3 is a rear view of the ceiling fan of FIG. 1;
FIG. 4 is a front view of the ceiling fan of FIG. 1;
FIG. 5 is a left side view of the ceiling fan of FIG. 1;
FIG. 6 is a right side view of the ceiling fan of FIG. 1;
FIG. 7 is a bottom view of the ceiling of FIG. 1;
FIG. 8 is a top view of the ceiling fan of FIG. 1;
FIG. 9 is a bottom perspective view of a ceiling fan blade;
FIG. 10 is another bottom perspective view of the ceiling fan
blade of FIG. 9;
FIG. 11 is a front view of the ceiling fan blade of FIG. 9;
FIG. 12 is a rear view of the ceiling fan blade of FIG. 9;
FIG. 13 is a right side view of the ceiling fan blade of FIG.
9;
FIG. 14 is a left side view of the ceiling fan blade of FIG.
9;
FIG. 15 is a top view of the ceiling fan blade of FIG. 9; and,
FIG. 16 is a bottom view of the ceiling fan blade of FIG. 9.
Portions of the drawings shown in broken lines illustrate
environmental subject matter only and form no part of the
claimed design.

1 Claim, 16 Drawing Sheets



(56)

References Cited

U.S. PATENT DOCUMENTS

D490,515 S * 5/2004 Young D23/411
 D506,543 S * 6/2005 Young D23/411
 D509,295 S 9/2005 Stauffer et al.
 D523,133 S * 6/2006 Young D23/411
 D523,948 S * 6/2006 Young D23/411
 D524,932 S * 7/2006 Young D23/411
 D524,933 S * 7/2006 Young D23/411
 D535,011 S 1/2007 Gajewski
 D535,387 S 1/2007 Gajewski
 D535,388 S 1/2007 Gajewski
 D581,037 S 11/2008 Dyson et al.
 D596,285 S 7/2009 Liu
 D598,998 S 8/2009 Flores
 D670,802 S 11/2012 Wang
 D671,203 S 11/2012 Wang
 D707,336 S 6/2014 Pan
 D715,421 S 10/2014 Schulzman
 D716,438 S 10/2014 Liu
 D721,429 S 1/2015 Busta
 D721,800 S 1/2015 Busta
 D726,297 S 4/2015 Liu

D741,988 S 10/2015 Pan
 D742,500 S 11/2015 Pan
 D744,079 S 11/2015 Wang
 D750,213 S 2/2016 Schulzman
 D755,948 S 5/2016 Ertze
 D761,949 S 7/2016 Badarello
 D776,251 S 1/2017 Pickett
 D778,422 S 2/2017 Gajewski
 D779,648 S 2/2017 Badarello et al.
 D783,146 S 4/2017 Wang
 D789,510 S * 6/2017 Wang D23/377
 D798,433 S 9/2017 Badarello et al.
 D799,687 S * 10/2017 Wang D23/413
 D810,922 S * 2/2018 Jones D23/411
 2005/0147494 A1 7/2005 Hoshino
 2007/0104583 A1 5/2007 Gajewski
 2010/0098545 A1 4/2010 Liu

OTHER PUBLICATIONS

<http://www.minkagroup.net/minka-aire/fans>, Item Specification for the Minka Aire Spectre F726-BN/ORG, accessed Dec. 4, 2015.

* cited by examiner

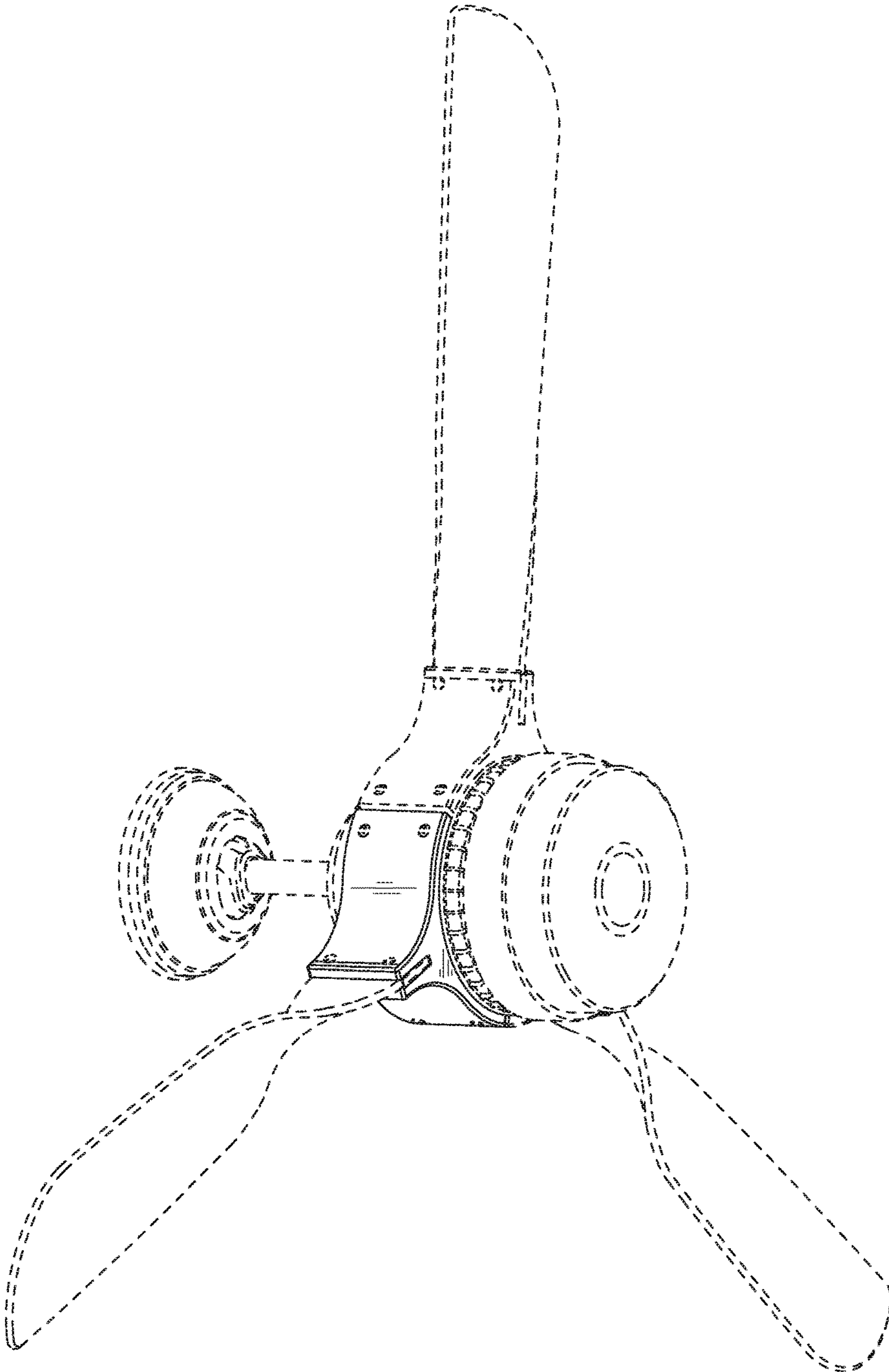


FIG. 1

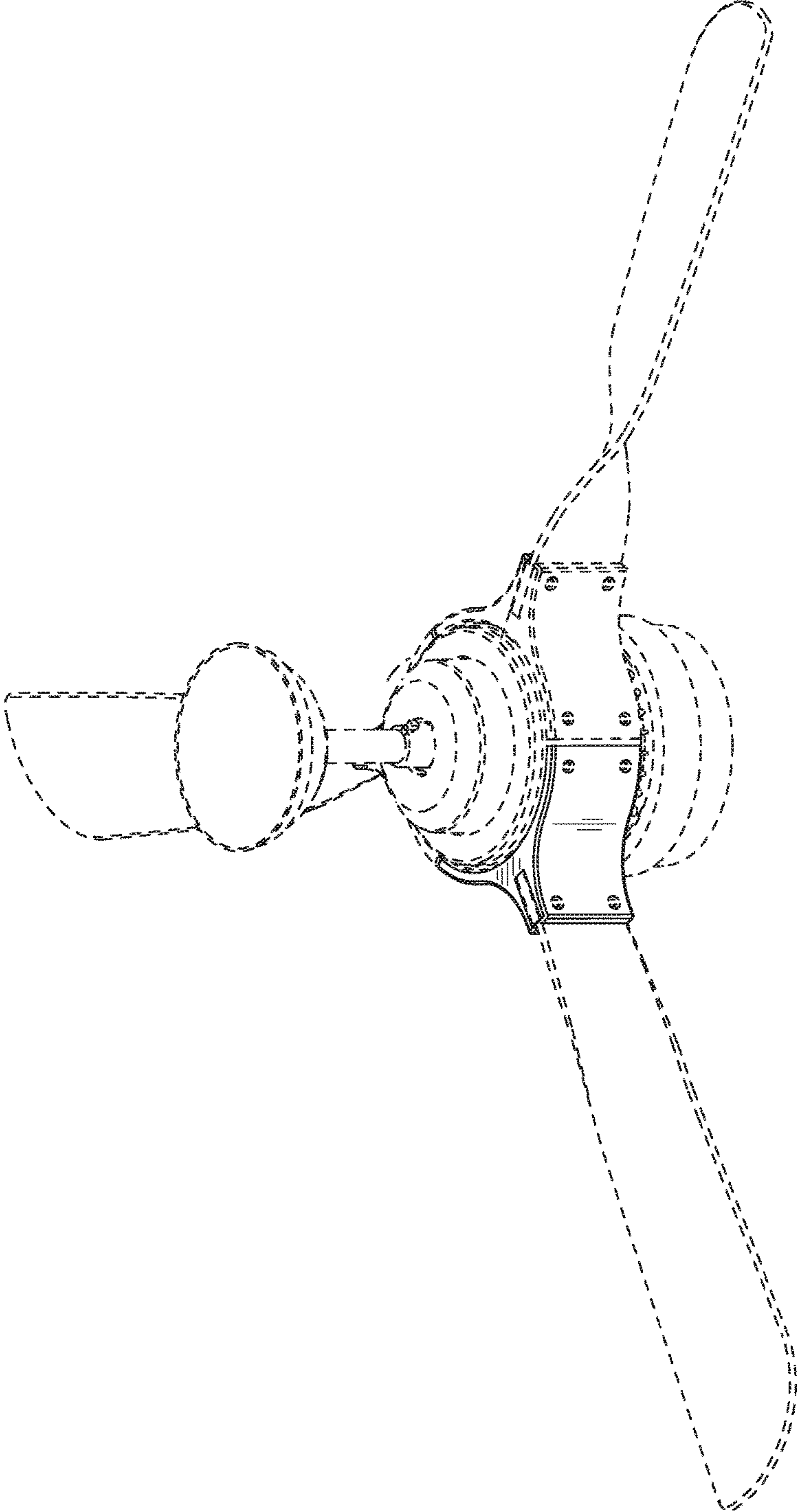


FIG. 2

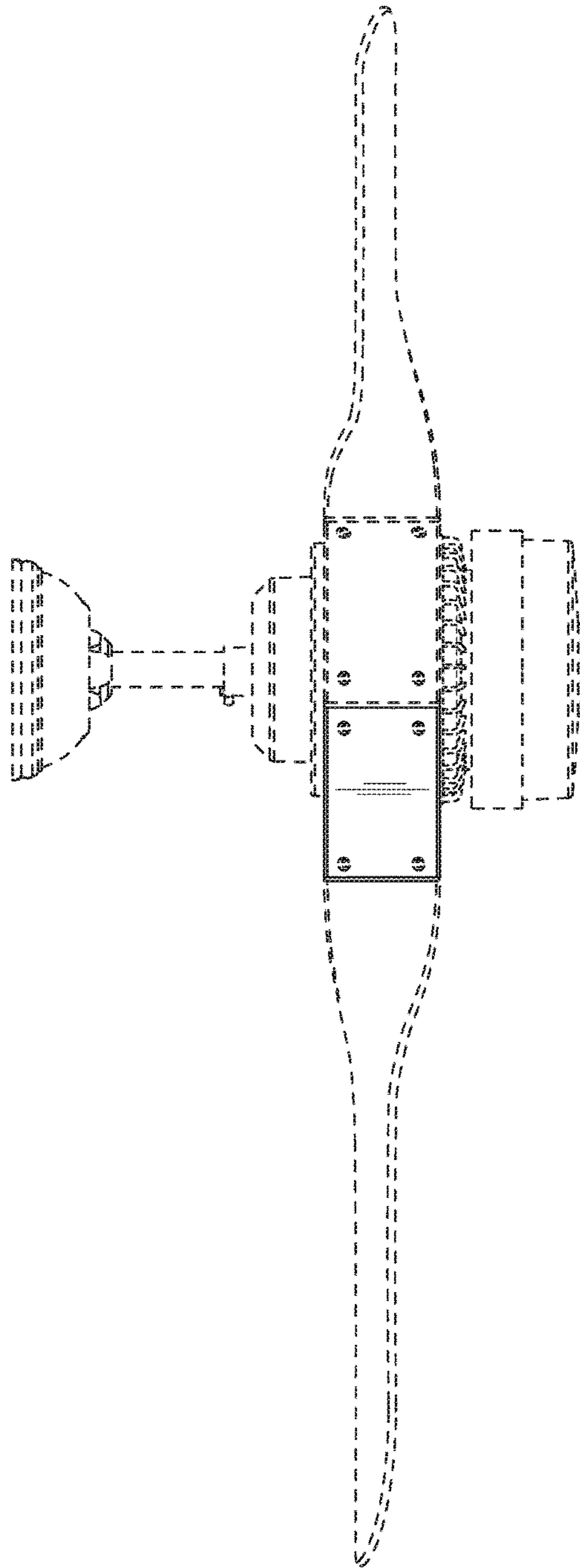


FIG. 3

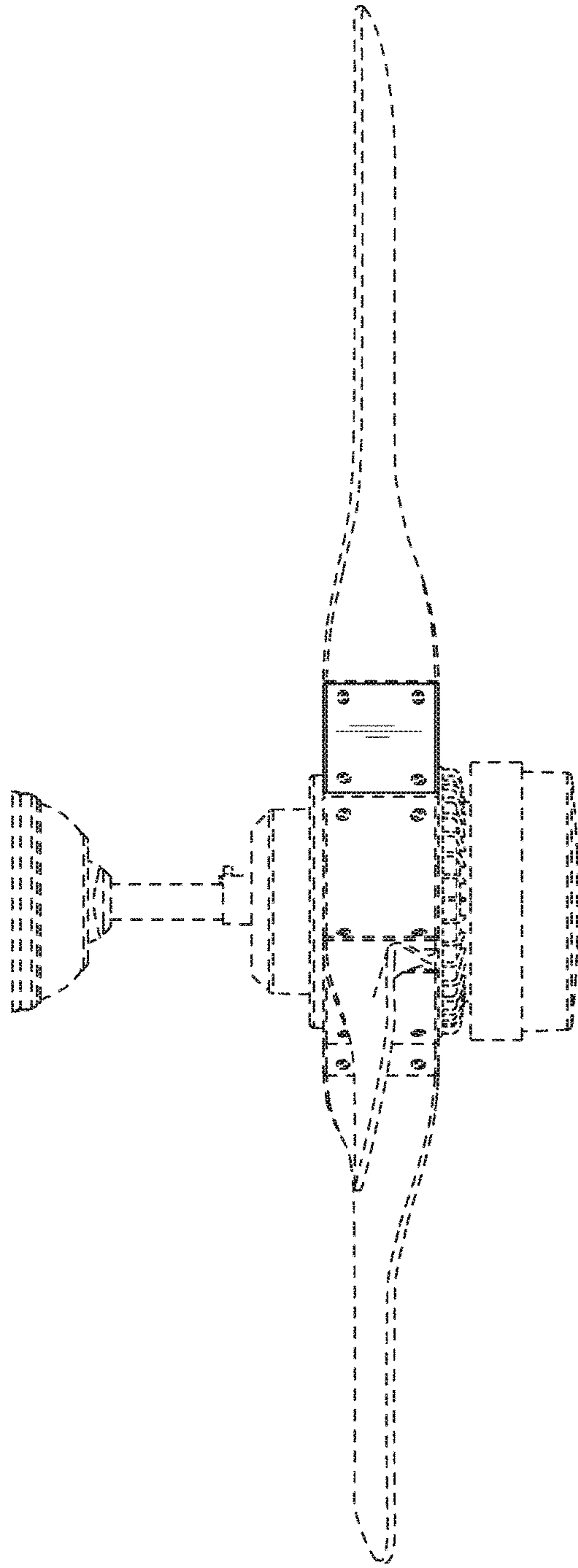


FIG. 4

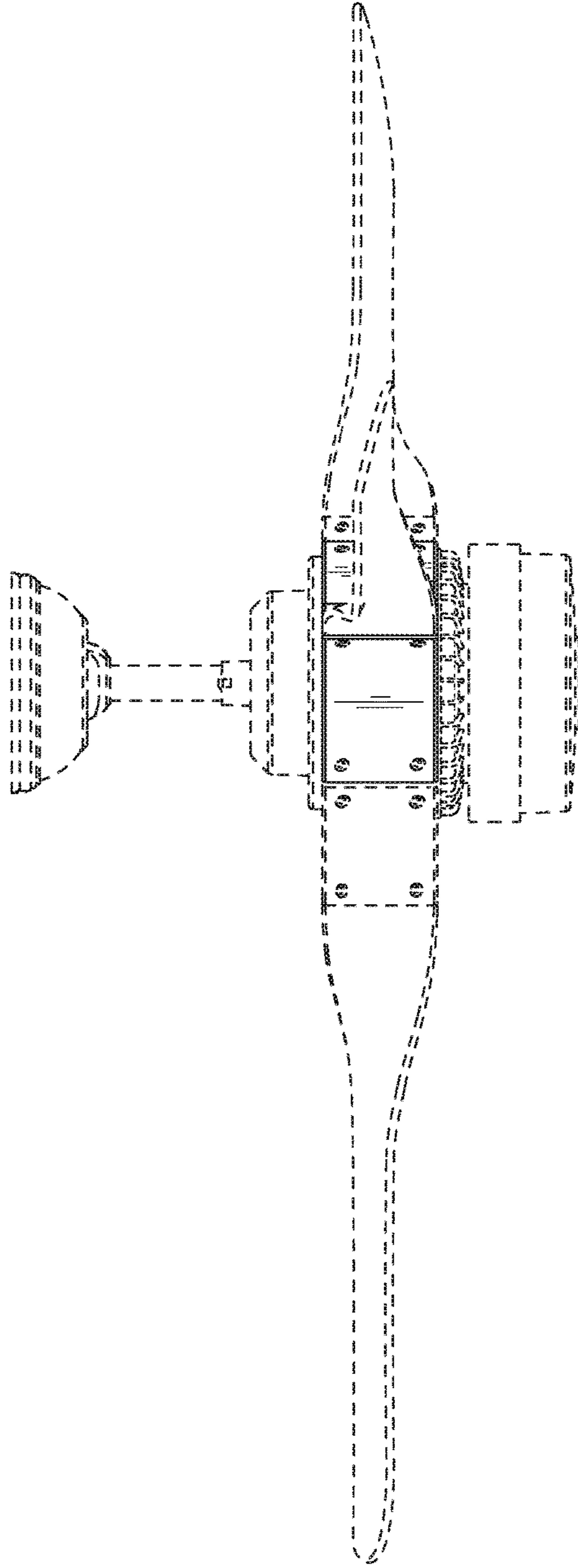


FIG. 5

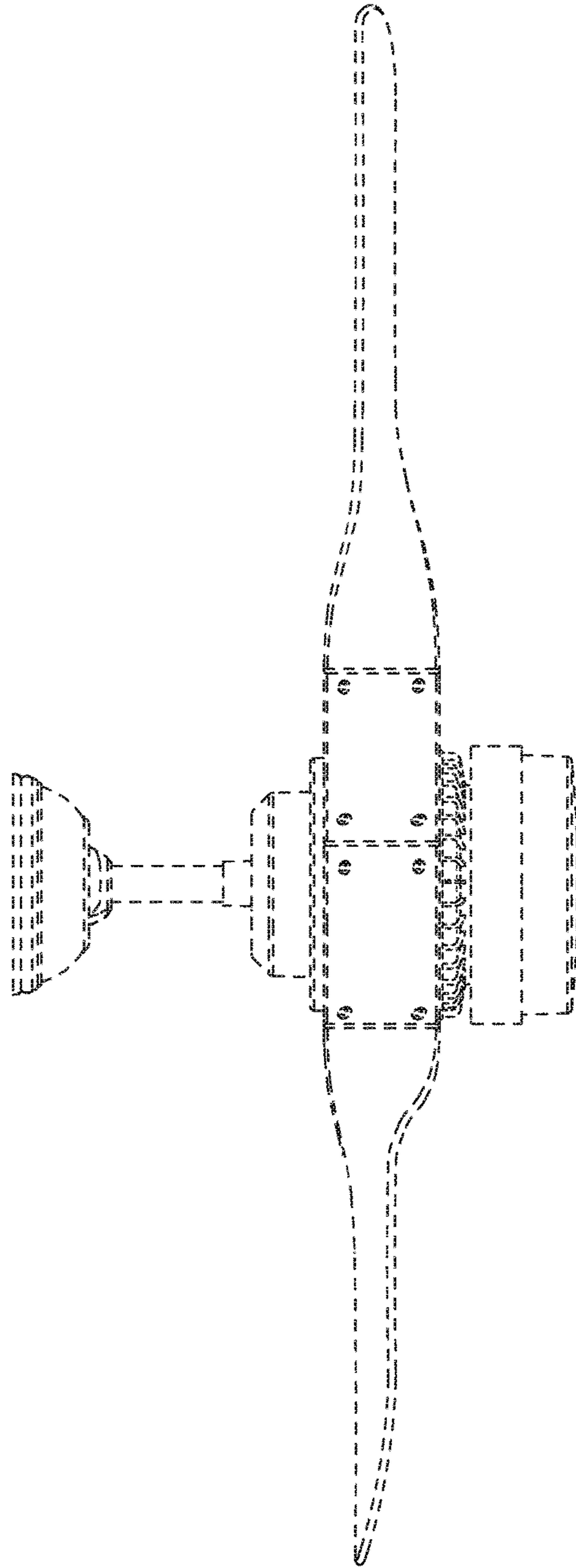


FIG. 6

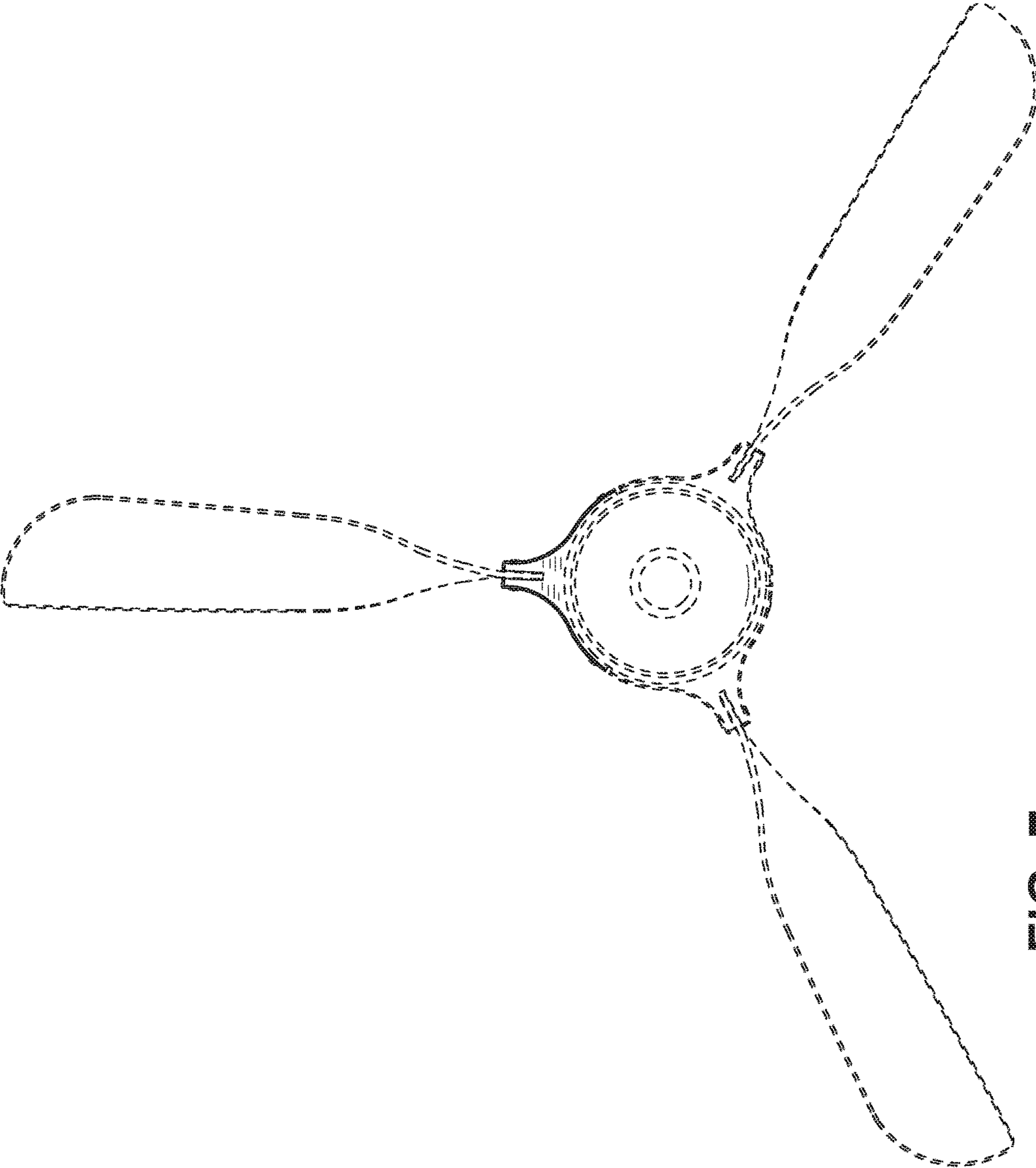


FIG. 7

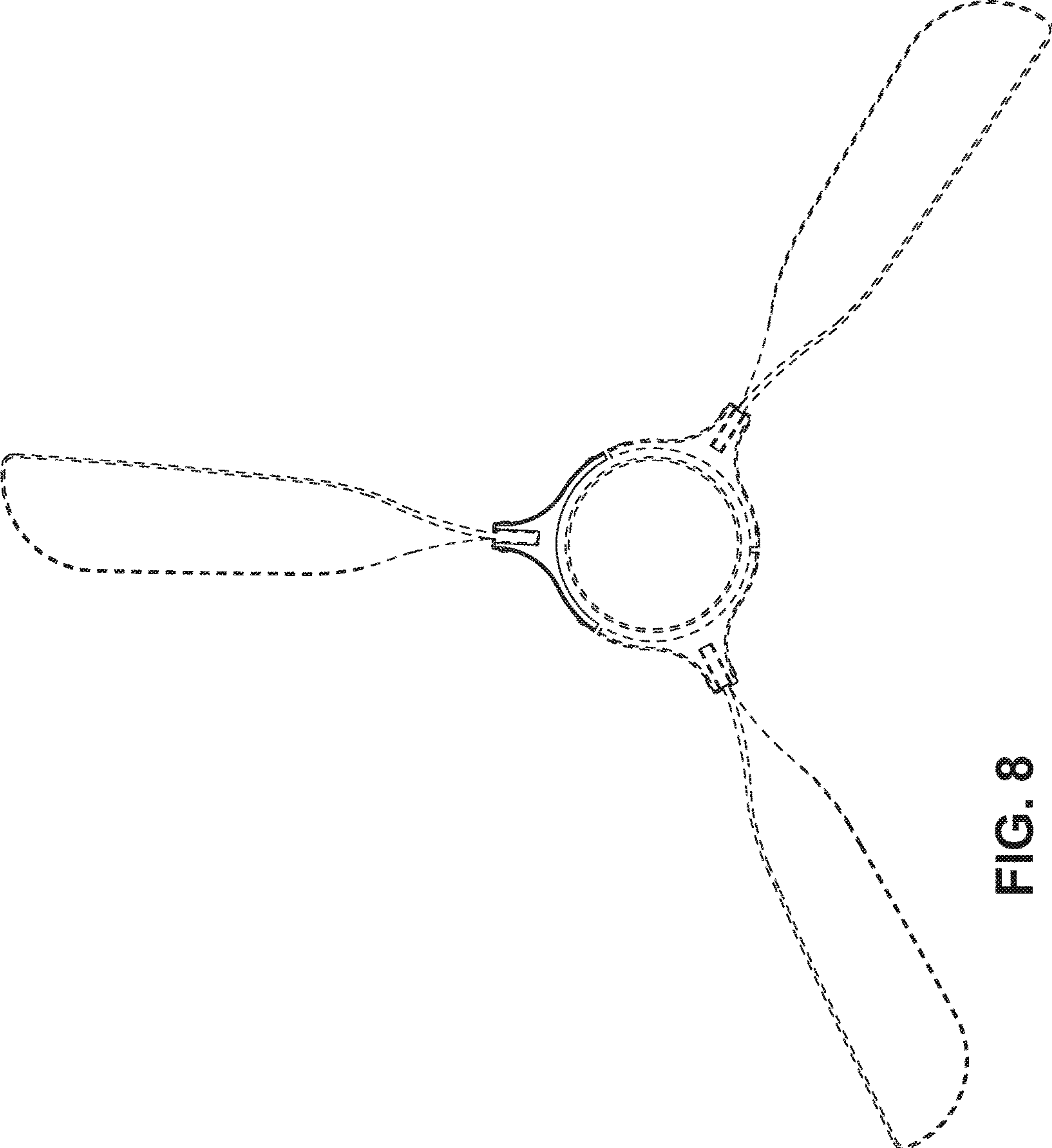


FIG. 8

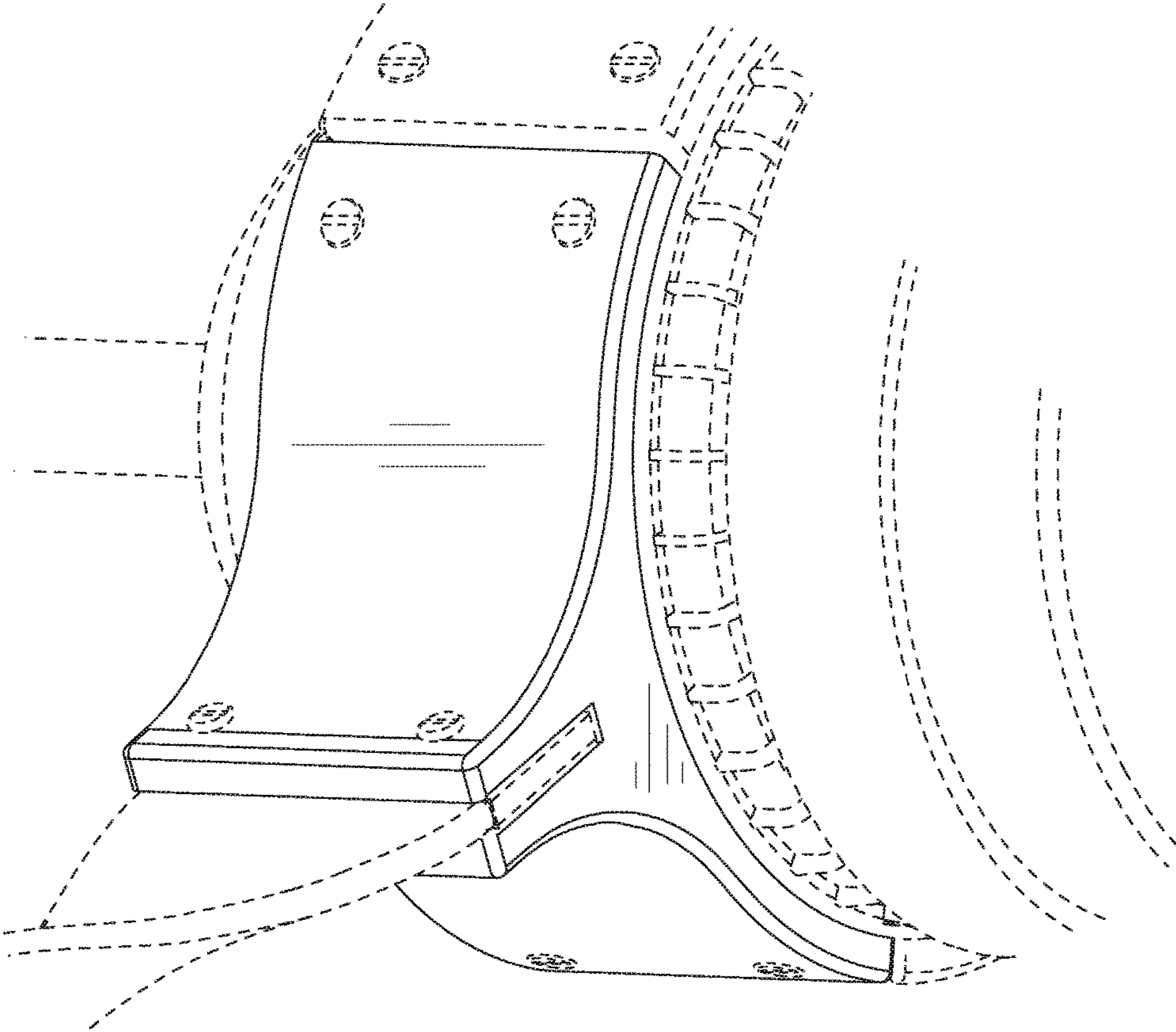


FIG. 9

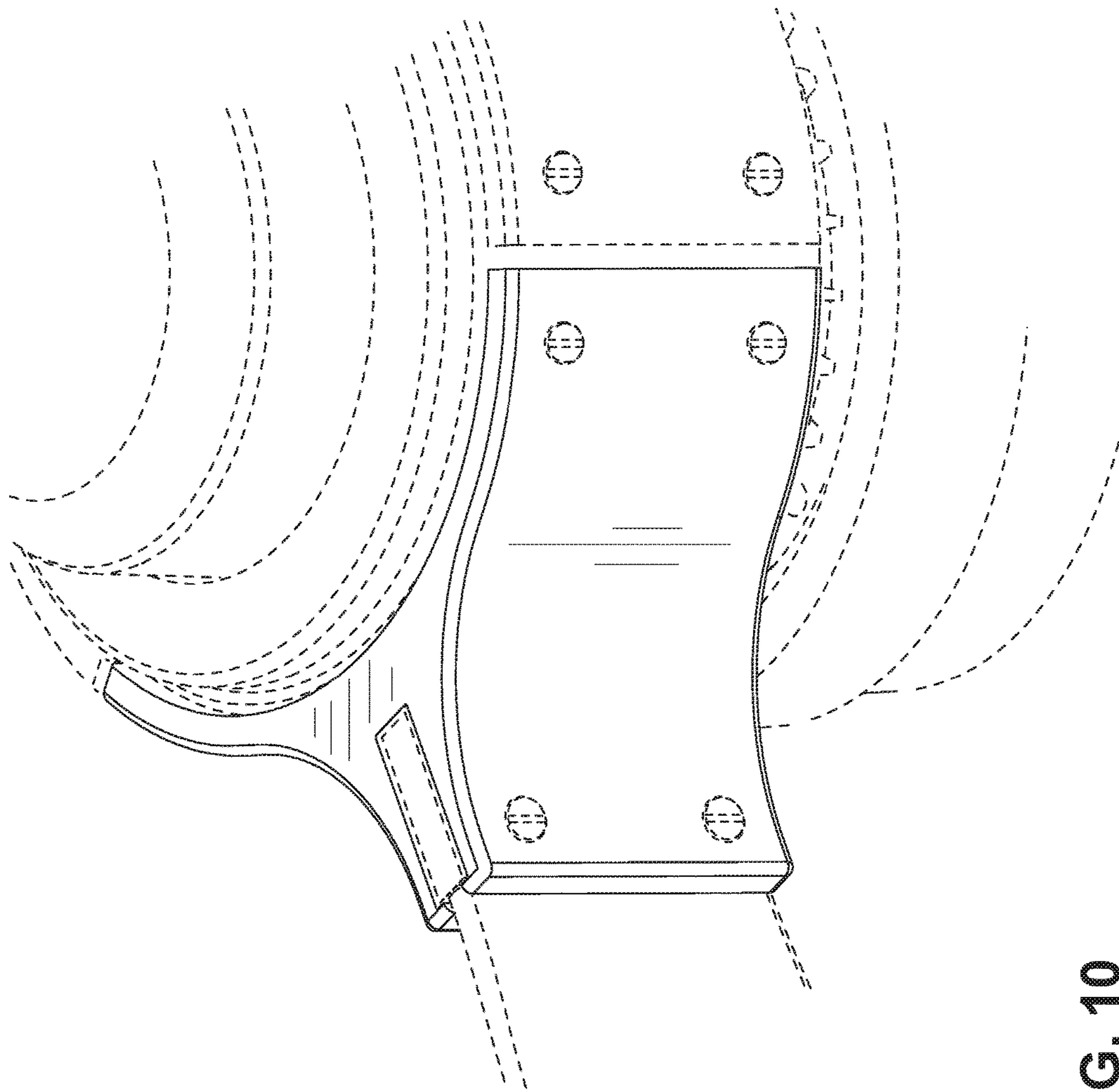


FIG. 10

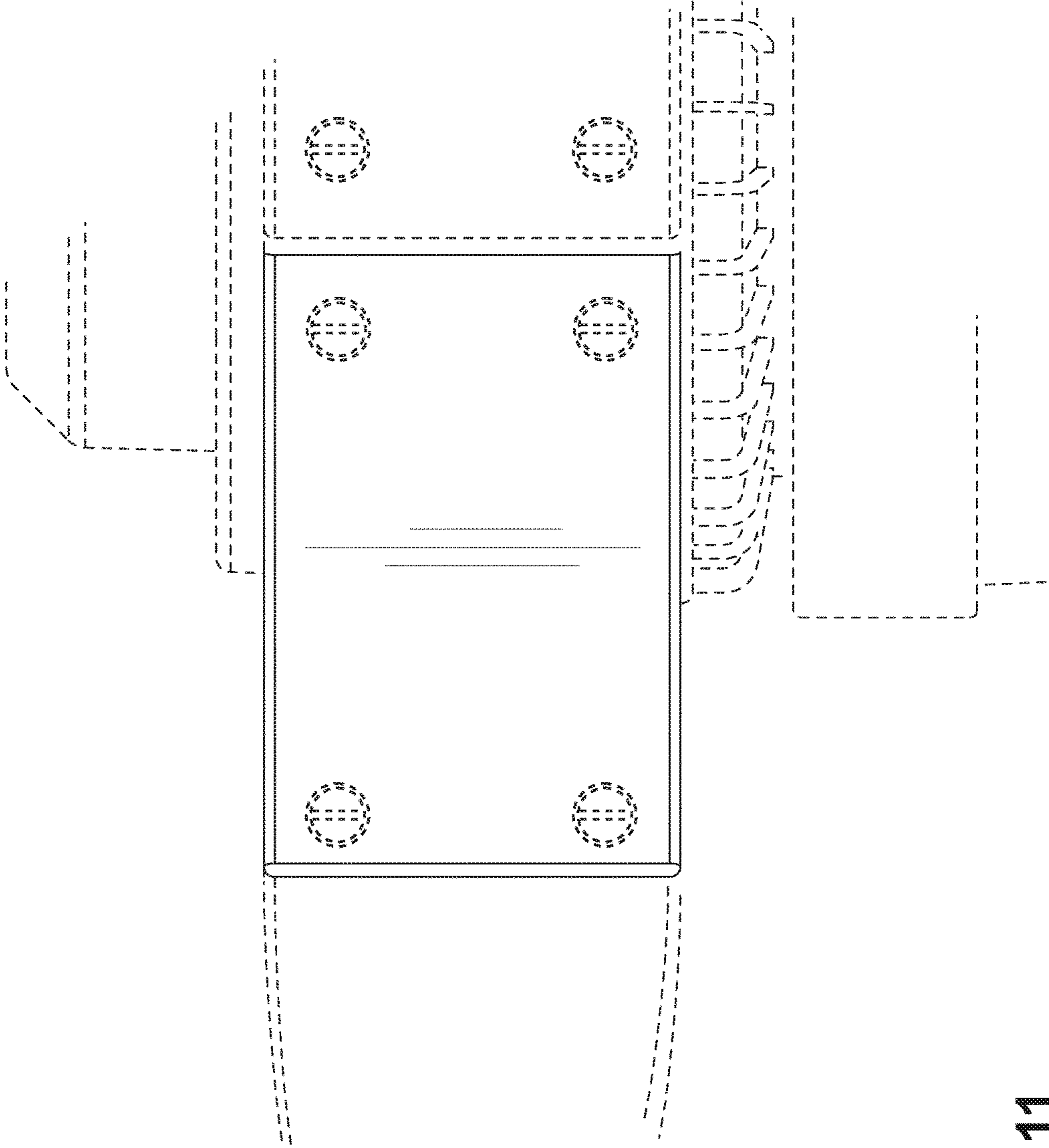


FIG. 11

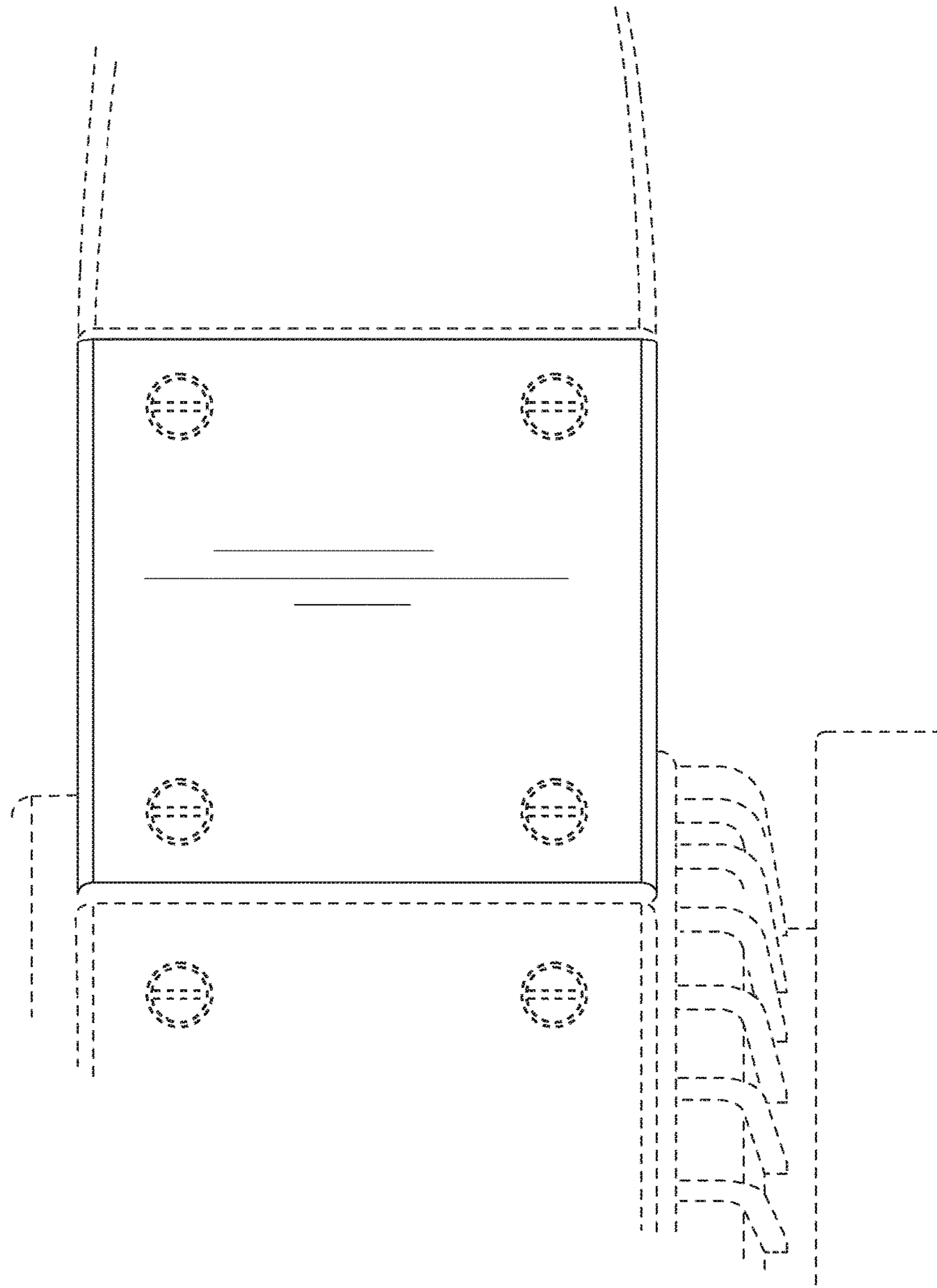


FIG. 12

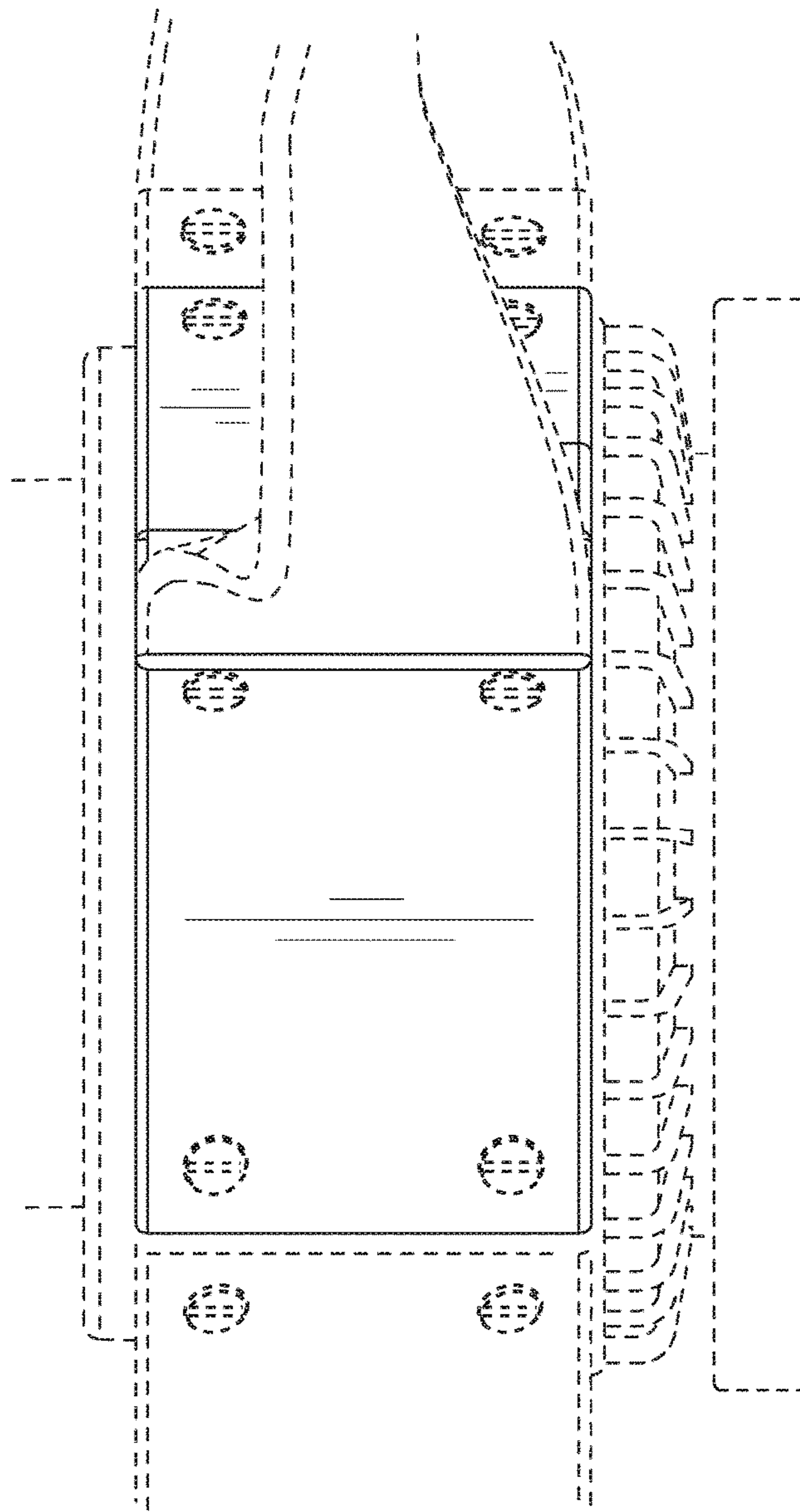


FIG. 13

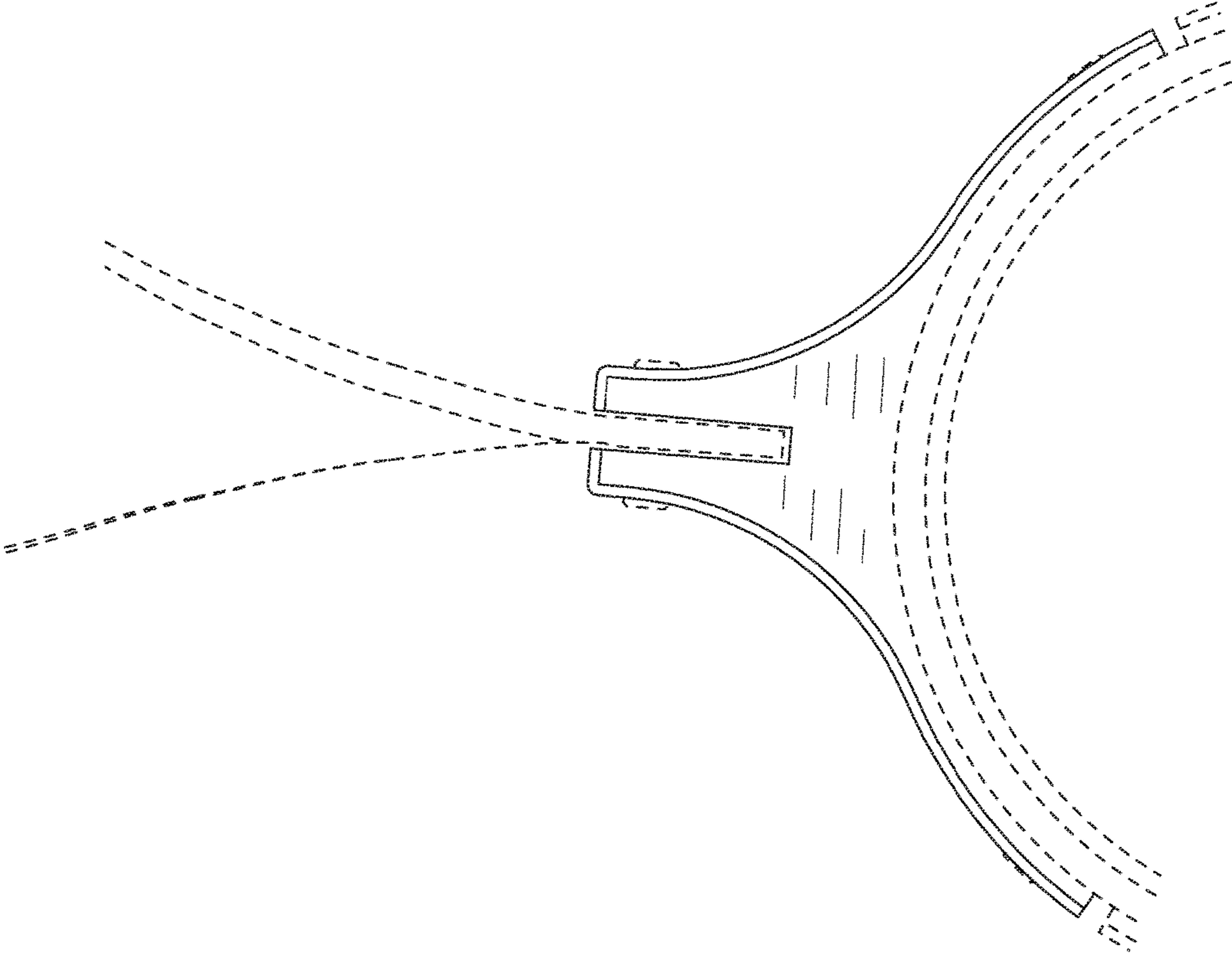


FIG. 14

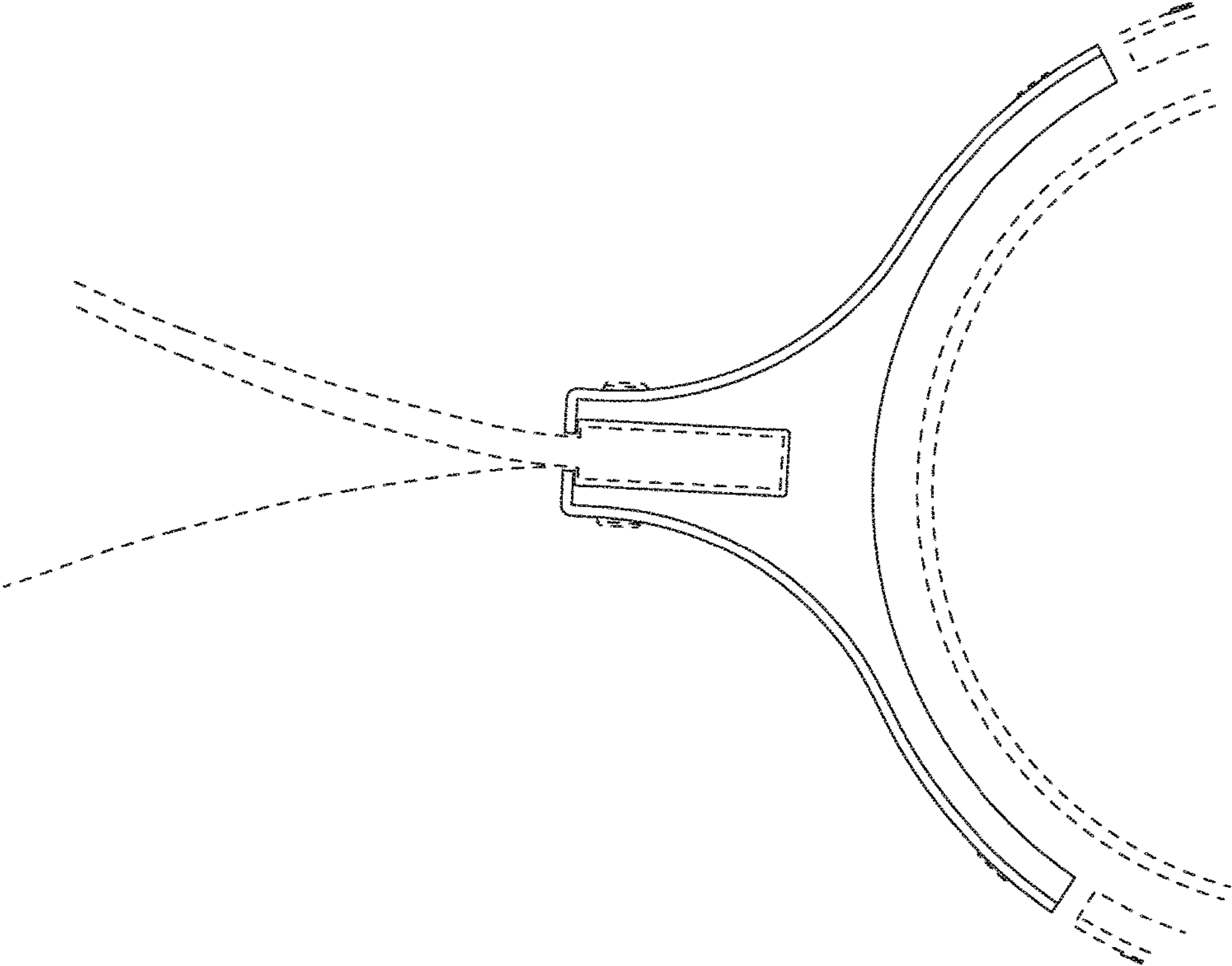


FIG. 15

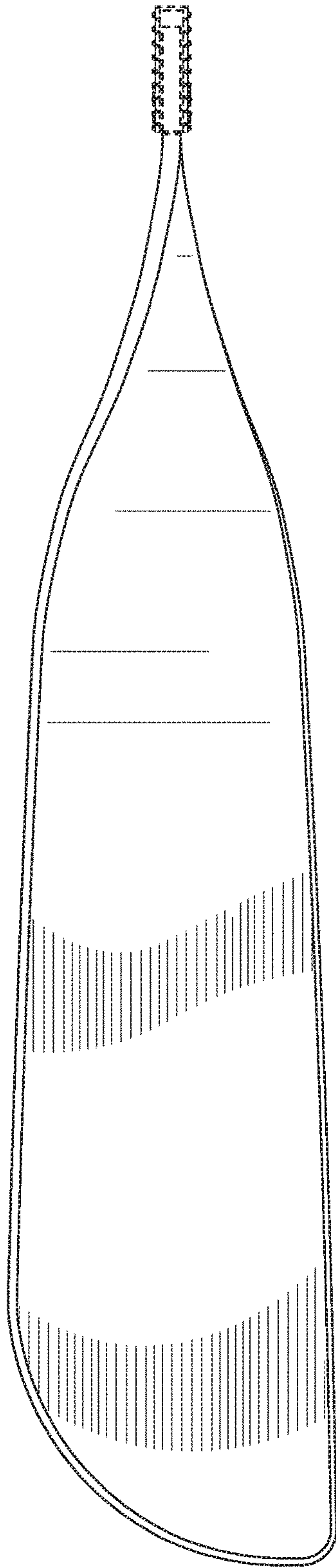


FIG. 16