



US00D835253S

(12) **United States Design Patent**  
**Hildago**

(10) **Patent No.:** **US D835,253 S**  
(45) **Date of Patent:** **\*\* Dec. 4, 2018**

(54) **FAN WITH WALL MOUNT**

(71) Applicant: **Minka Lighting, Inc.**, Corona, CA  
(US)

(72) Inventor: **Rolando Hildago**, Yorba Linda, CA  
(US)

(73) Assignee: **Minka Lighting, Inc.**, Corona, CA  
(US)

(\*\*) Term: **15 Years**

(21) Appl. No.: **29/650,781**

(22) Filed: **Jun. 8, 2018**

**Related U.S. Application Data**

(63) Continuation-in-part of application No. 29/590,108,  
filed on Jan. 6, 2017.

(51) **LOC (11) Cl.** ..... **23-04**

(52) **U.S. Cl.**  
USPC ..... **D23/382; D23/385**

(58) **Field of Classification Search**  
USPC ..... D23/370-379, 381-385, 411-414, 360,  
D23/314, 335, 332; D26/59  
CPC ..... F04D 5/00; F04D 27/00; F24H 3/04  
See application file for complete search history.

(56) **References Cited**

**U.S. PATENT DOCUMENTS**

D489,809 S \* 5/2004 Gajewski ..... D23/411  
D523,550 S \* 6/2006 Hidalgo ..... D23/411

D591,842 S \* 5/2009 Young ..... D23/380  
D594,965 S \* 6/2009 Bucher ..... D23/411  
D737,949 S \* 9/2015 He ..... D23/382  
D737,950 S \* 9/2015 He ..... D23/382  
D773,633 S \* 12/2016 Wang ..... D23/385  
D808,510 S \* 1/2018 Gajewski ..... D23/377  
2008/0286114 A1 \* 11/2008 Young ..... F04D 19/002  
416/244 R

\* cited by examiner

*Primary Examiner* — Janice Hallmark

(74) *Attorney, Agent, or Firm* — Baker & McKenzie LLP

(57) **CLAIM**

The ornamental design for a fan with wall mount, as shown and described.

**DESCRIPTION**

FIG. 1 is a perspective view of a fan with wall mount in accordance with my design, wherein a fan is in a first position;

FIG. 2 is a top plan view thereof;

FIG. 3 is a bottom plan view thereof;

FIG. 4 is a front elevation view thereof;

FIG. 5 is a rear elevation view thereof;

FIG. 6 is a left elevation view thereof;

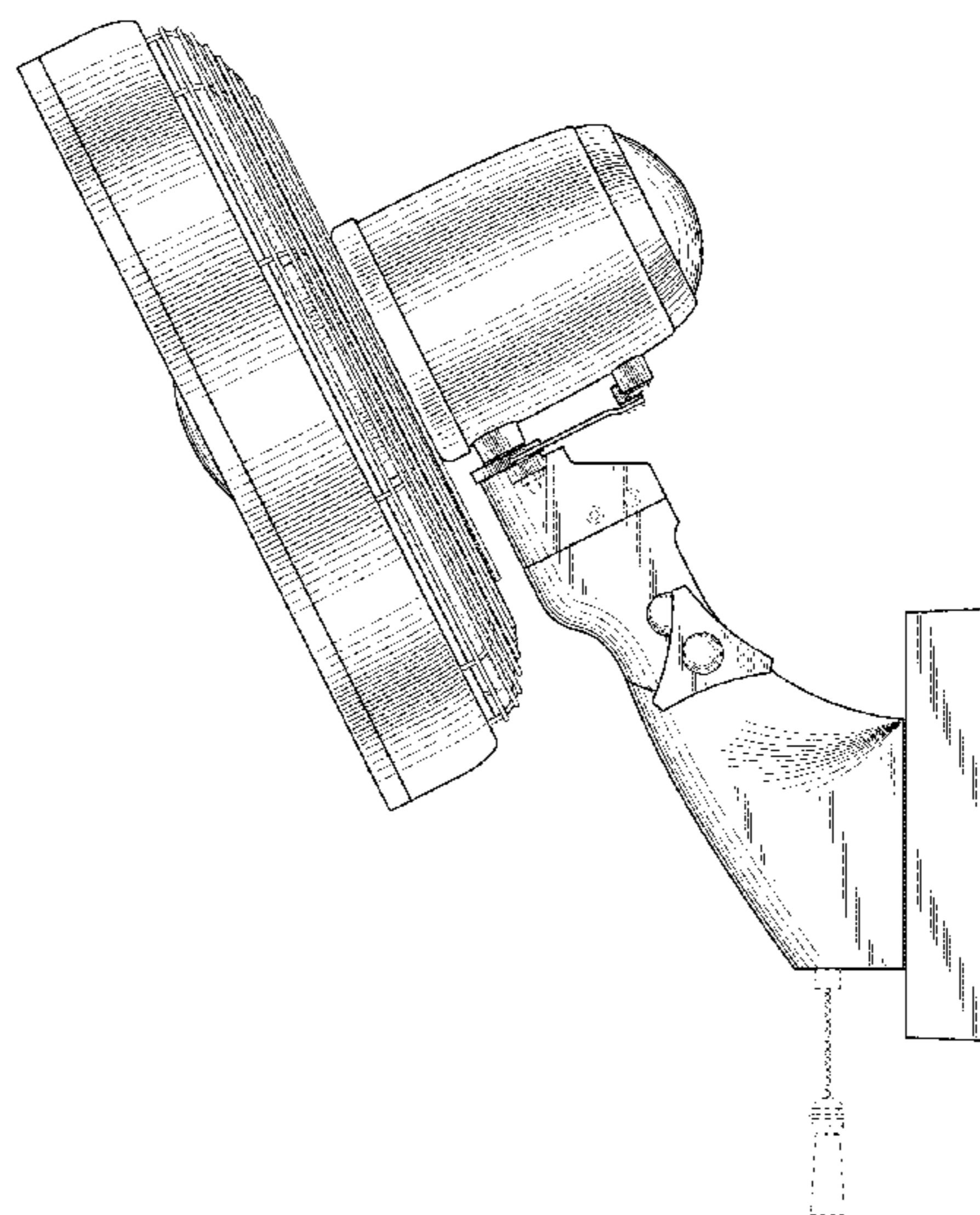
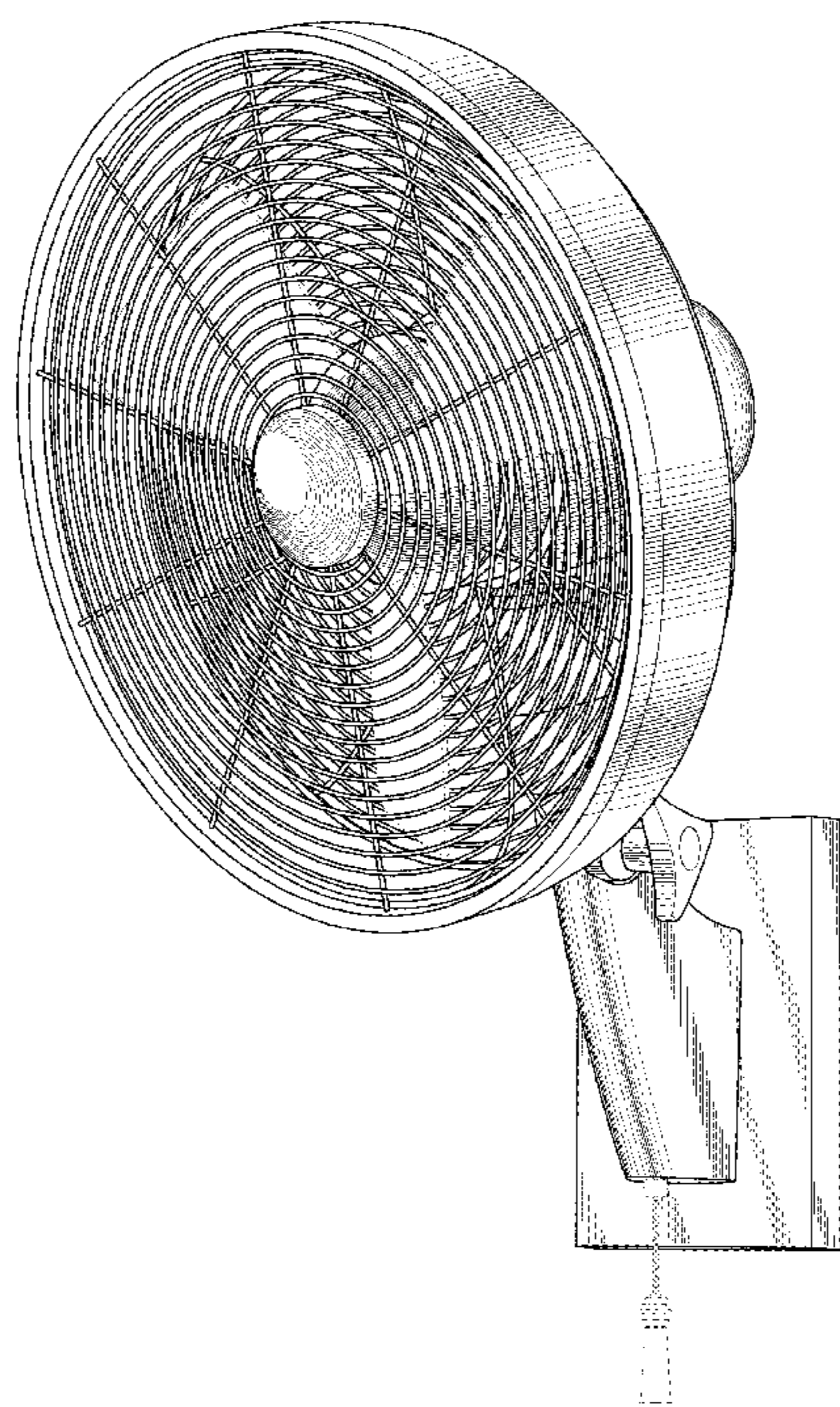
FIG. 7 is a left elevation view, wherein the fan is in a second position;

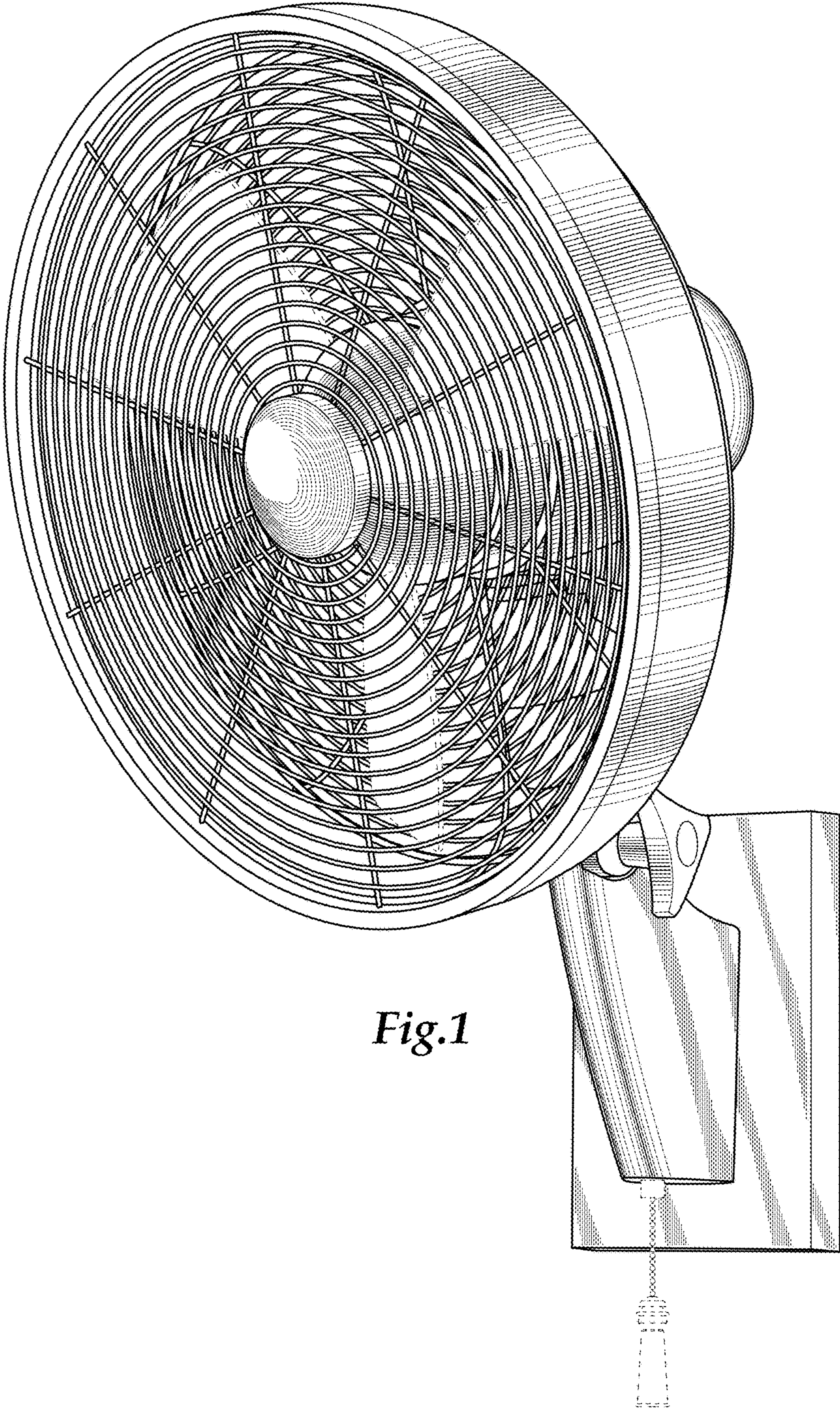
FIG. 8 is a left elevation view, wherein the fan is in a third position; and,

FIG. 9 is a right elevation view, wherein the fan is in the first position.

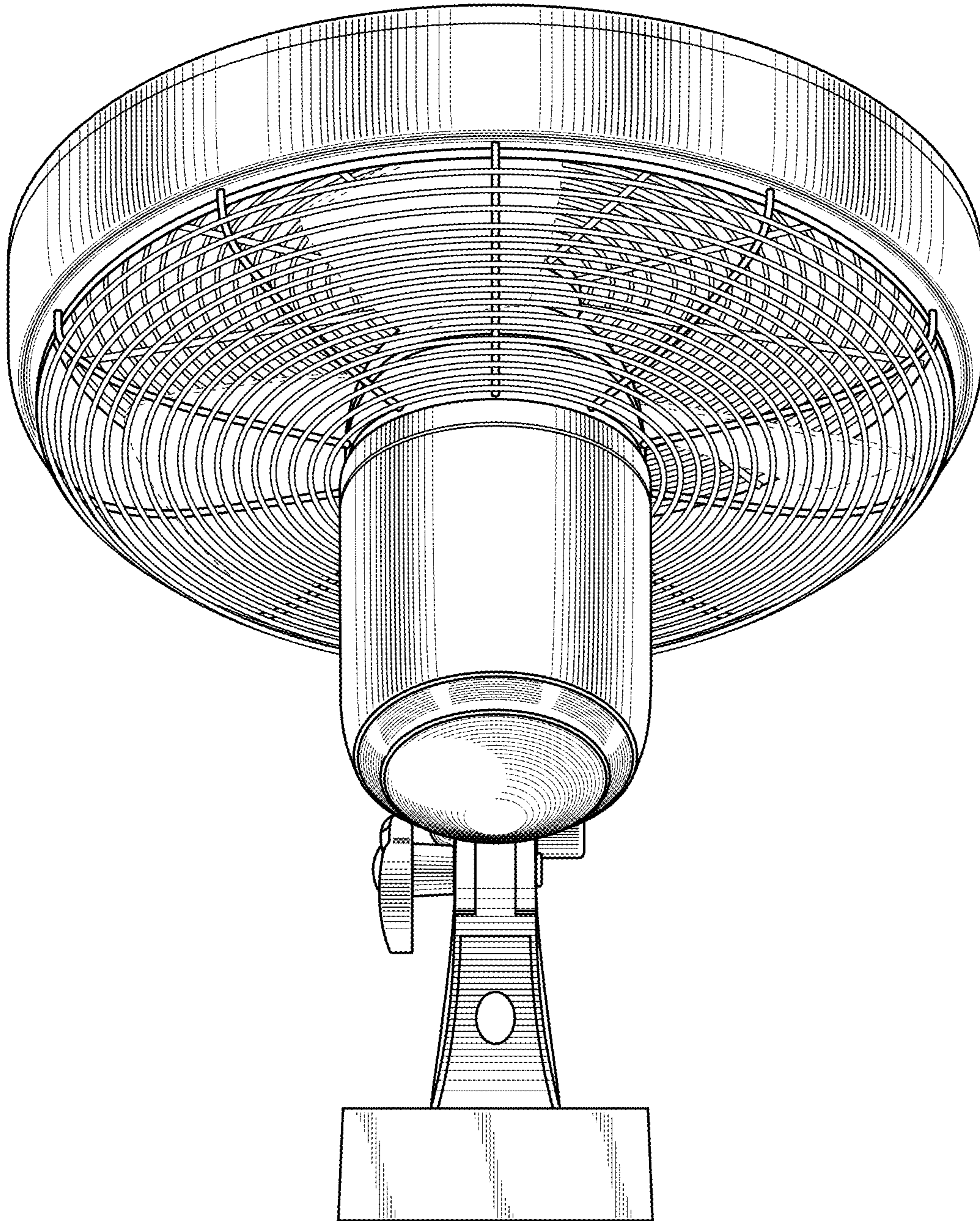
The broken lines in the drawings illustrate portions of the fan with wall mount that form no part of the claimed design.

**1 Claim, 9 Drawing Sheets**

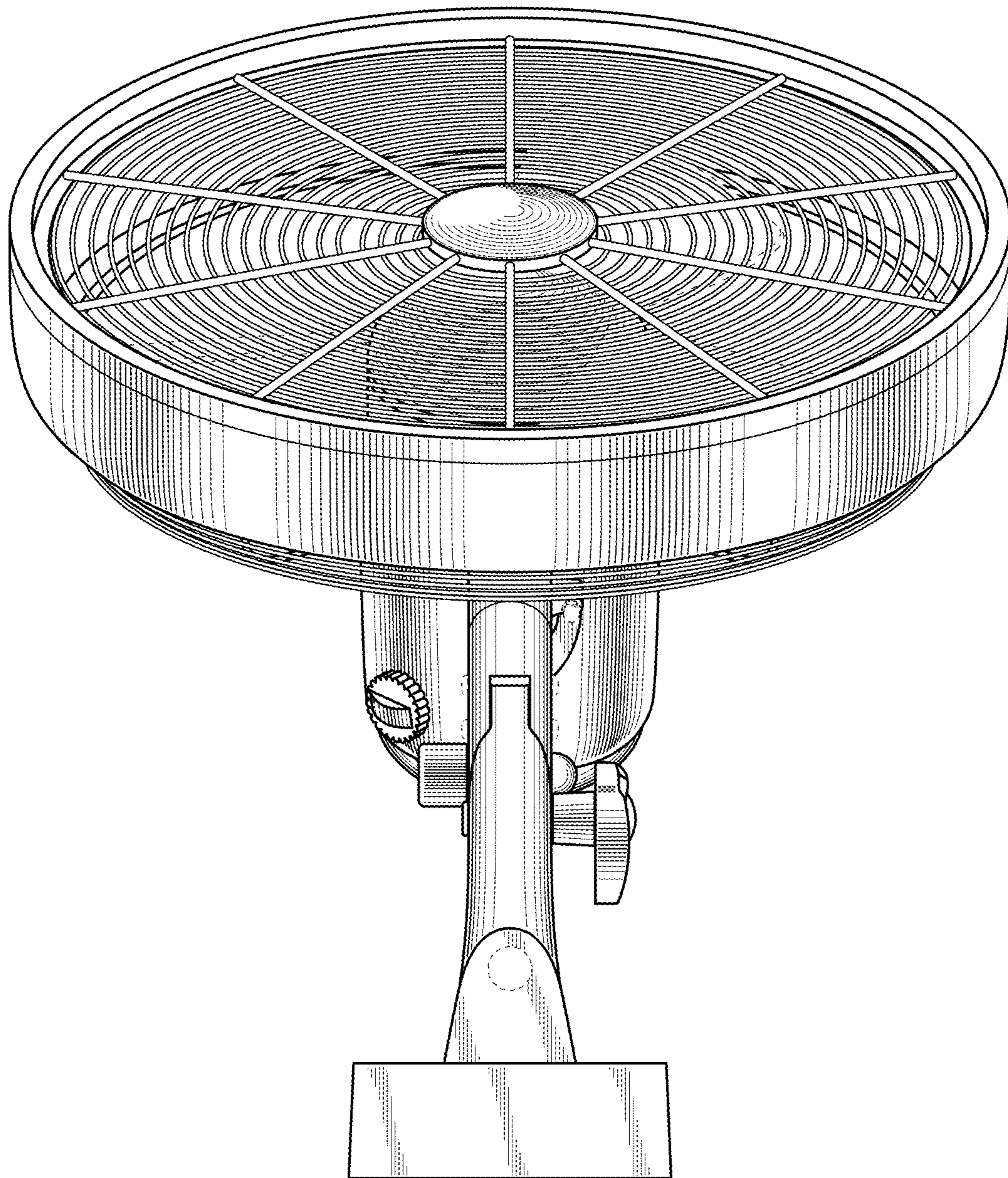




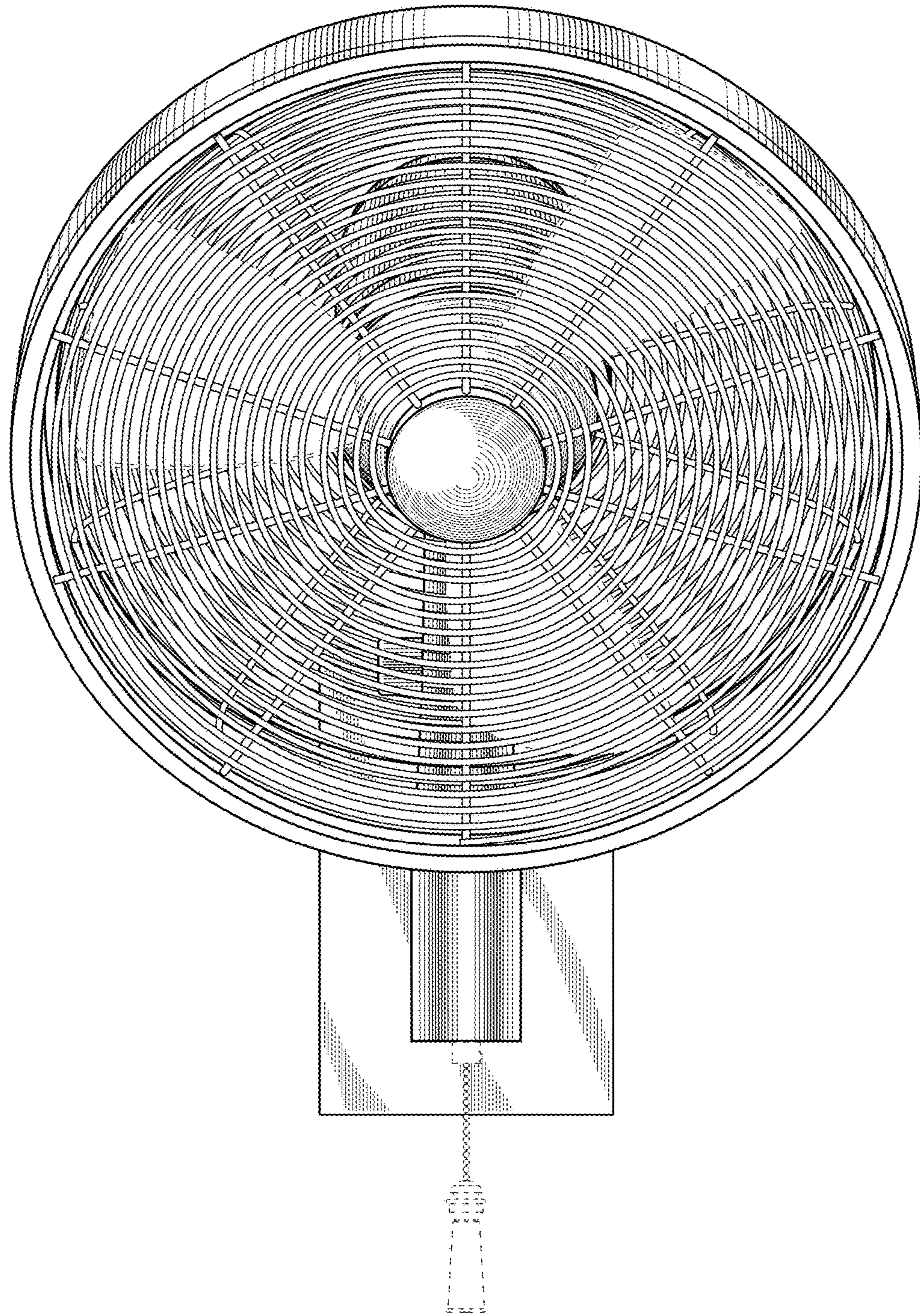
*Fig.1*



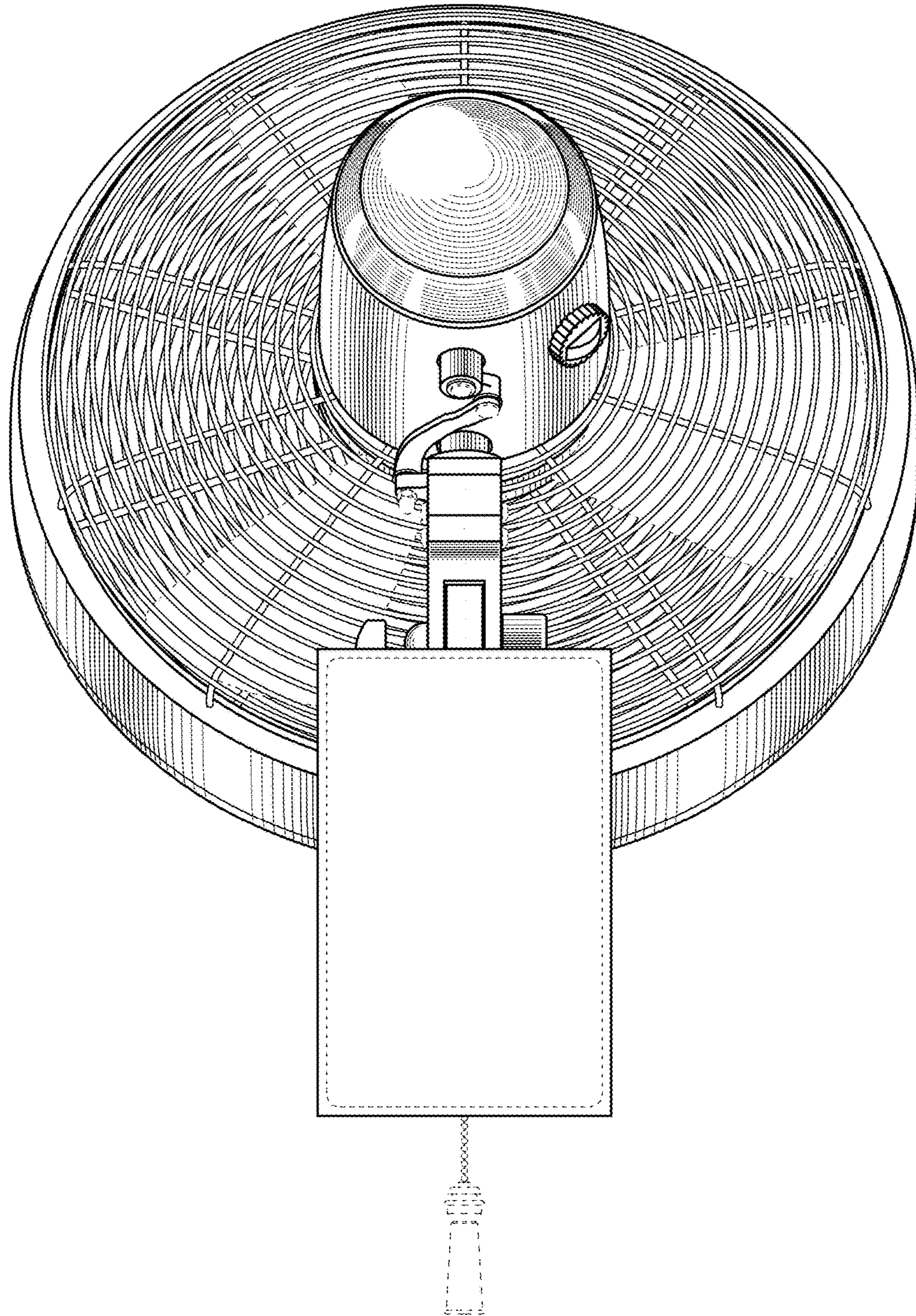
*Fig. 2*



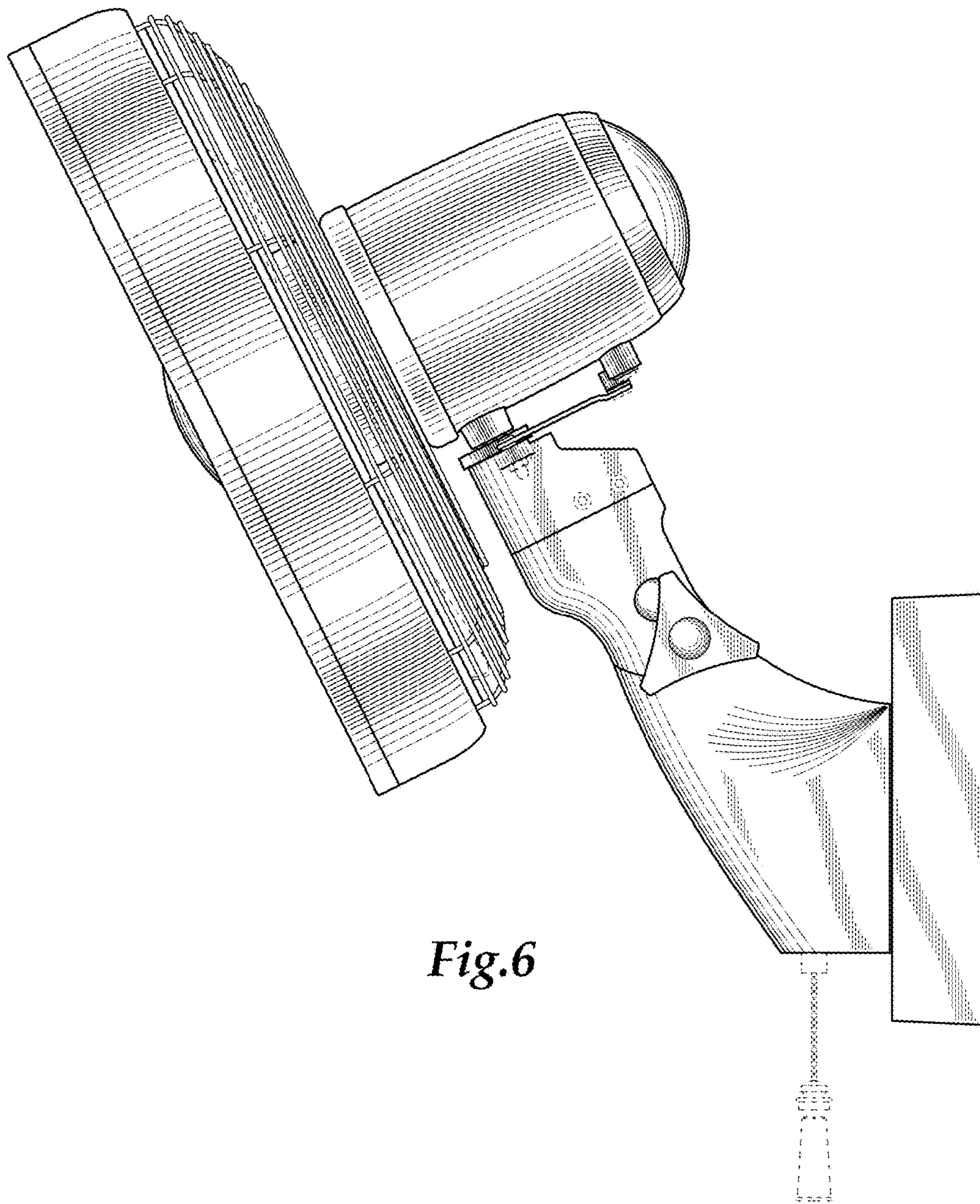
*Fig.3*



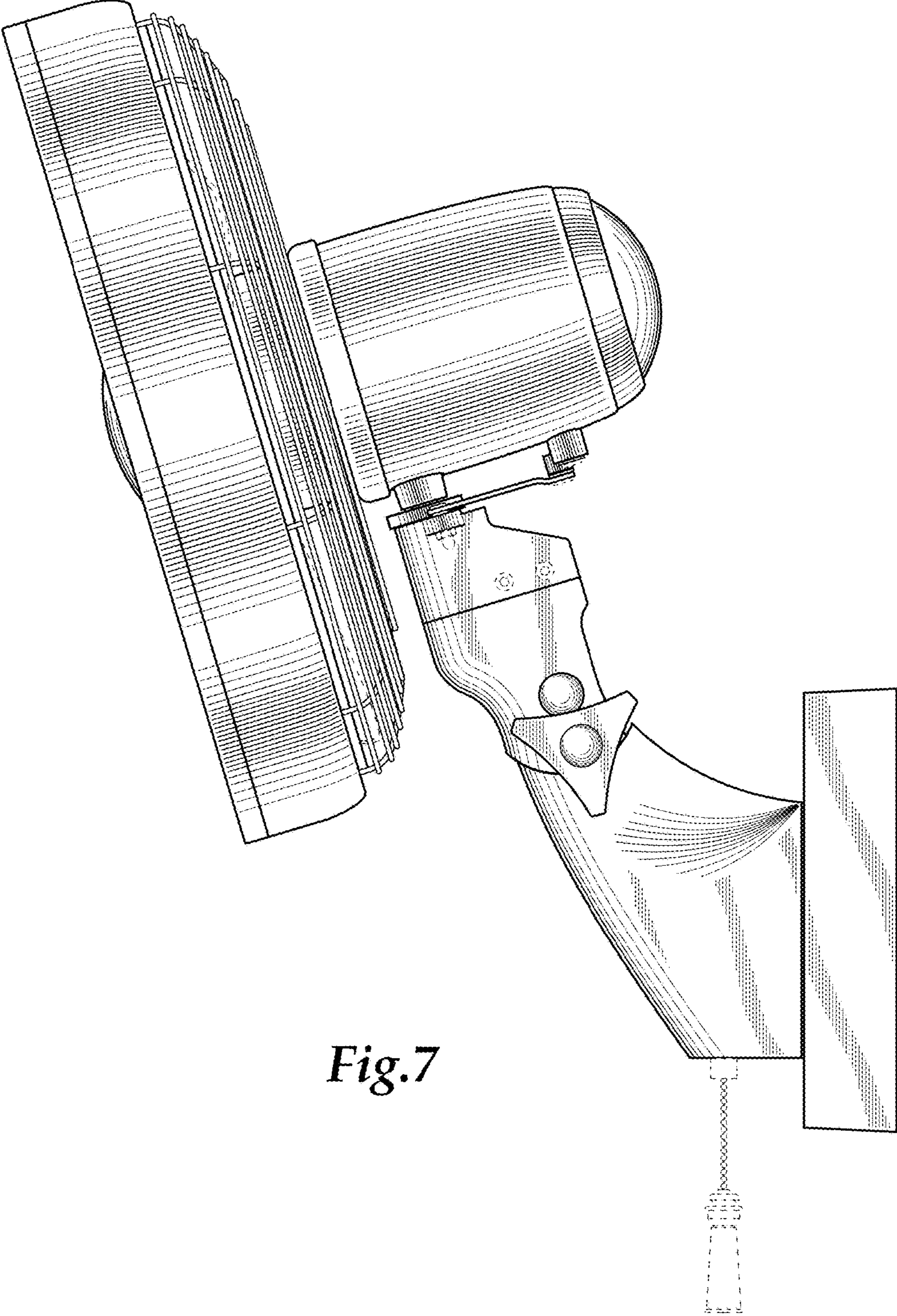
*Fig.4*



*Fig.5*

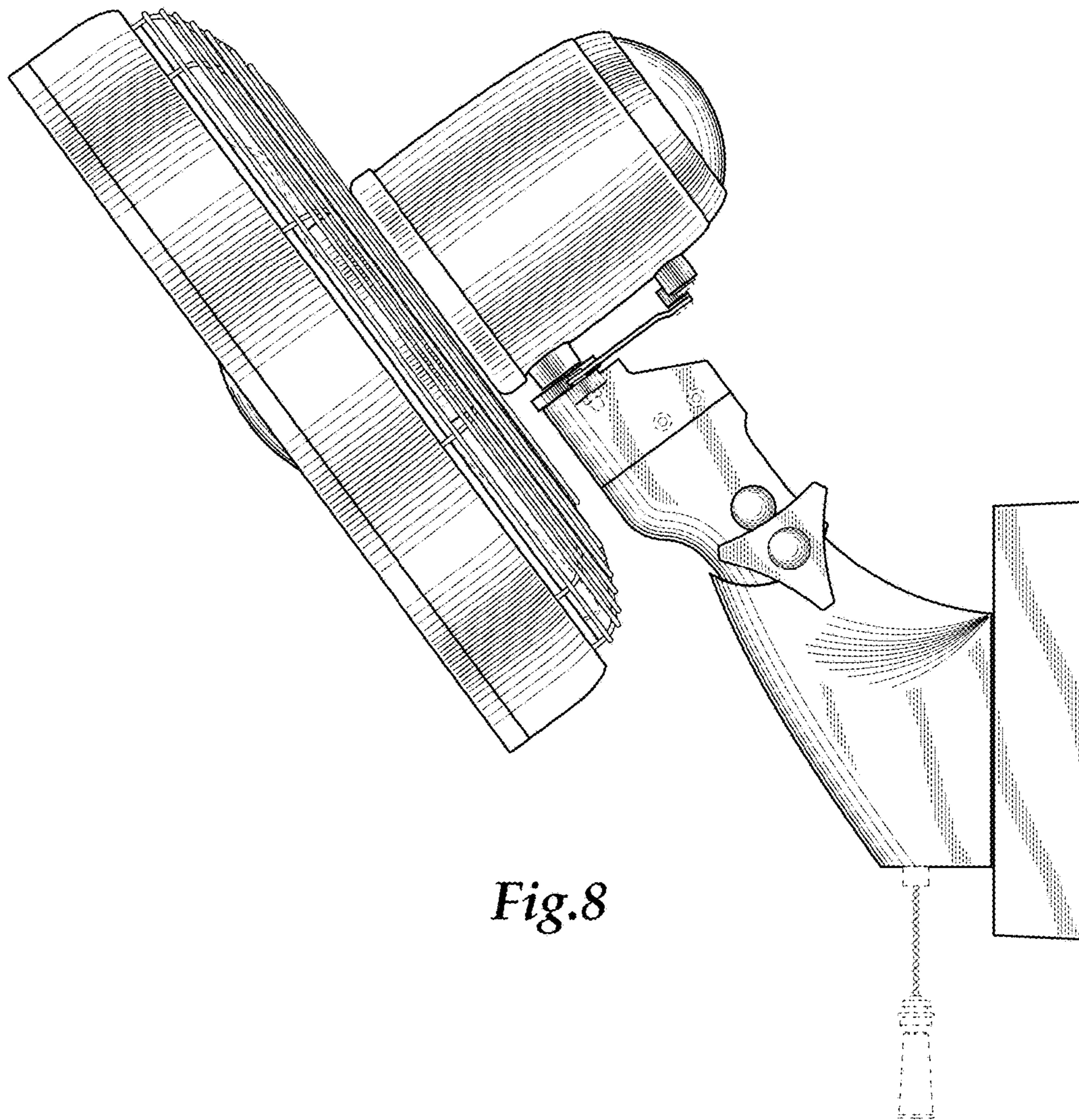


*Fig.6*

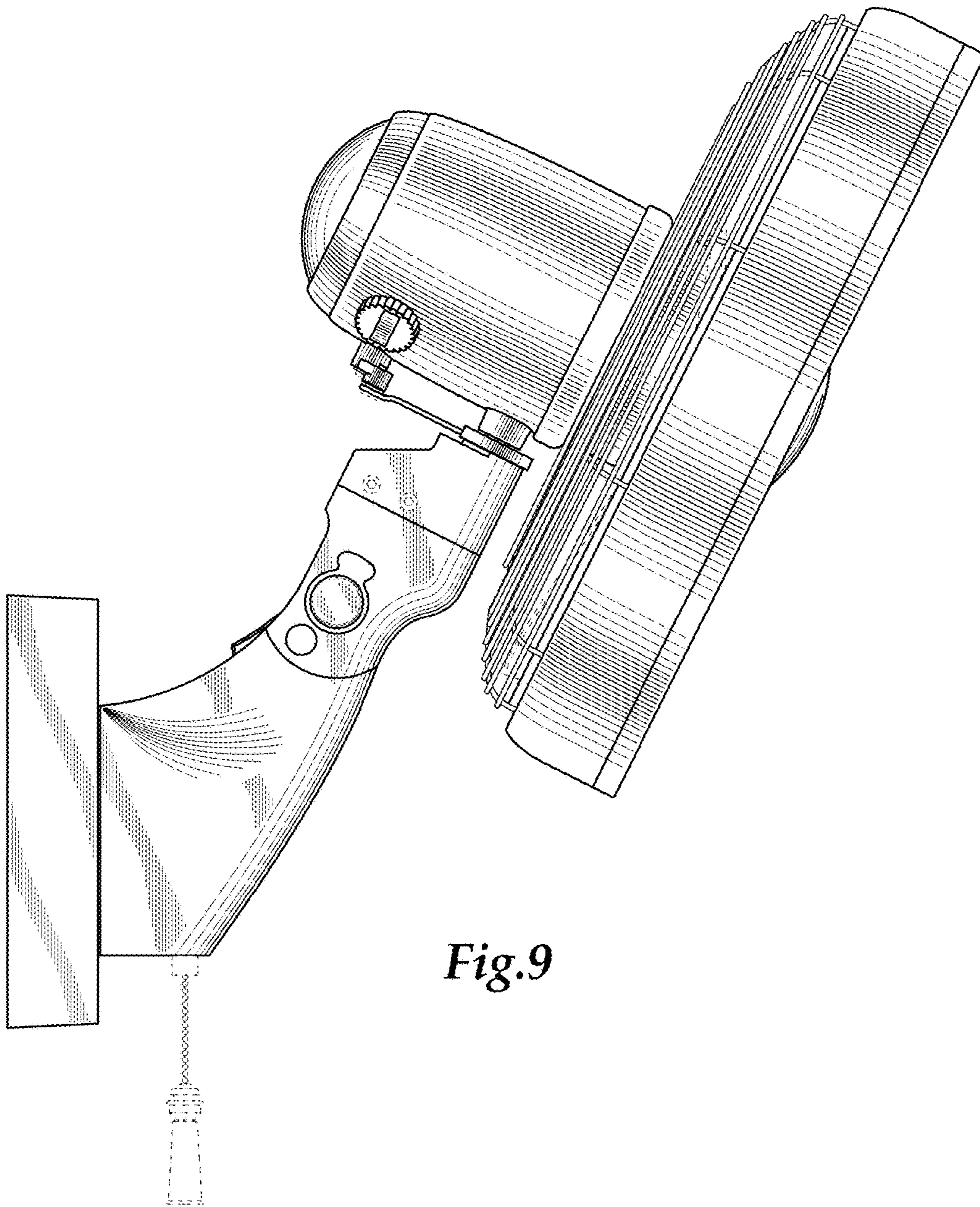


*Fig.7*





*Fig.8*



*Fig.9*