



US00D835252S

(12) **United States Design Patent**
Hidalgo

(10) **Patent No.:** **US D835,252 S**

(45) **Date of Patent:** **** Dec. 4, 2018**

(54) **FAN WITH CAGE**

(71) Applicant: **Minka Lighting, Inc.**, Corona, CA
(US)

(72) Inventor: **Rolando Hidalgo**, Yorba Linda, CA
(US)

(73) Assignee: **Minka Lighting, Inc.**, Corona, CA
(US)

(**) Term: **15 Years**

(21) Appl. No.: **29/650,775**

(22) Filed: **Jun. 8, 2018**

Related U.S. Application Data

(63) Continuation-in-part of application No. 29/590,108,
filed on Jan. 6, 2017.

(51) **LOC (11) Cl.** **23-04**

(52) **U.S. Cl.**
USPC **D23/382; D23/385**

(58) **Field of Classification Search**
USPC D23/370-379, 381-385, 411-414, 360,
D23/314, 335, 332; D26/59
CPC F04D 5/00; F04D 27/00; F24H 3/04
See application file for complete search history.

(56) **References Cited**

U.S. PATENT DOCUMENTS

D489,809 S * 5/2004 Gajewski D23/411
D523,550 S * 6/2006 Hidalgo D23/411

D591,842 S * 5/2009 Young D23/380
D594,965 S * 6/2009 Bucher D23/411
D737,949 S * 9/2015 He D23/382
D737,950 S * 9/2015 He D23/382
D773,633 S * 12/2016 Wang D23/385
D808,510 S * 1/2018 Gajewski D23/377
2008/0286114 A1 * 11/2008 Young F04D 19/002
416/244 R

* cited by examiner

Primary Examiner — Janice Hallmark

(74) *Attorney, Agent, or Firm* — Baker & McKenzie LLP

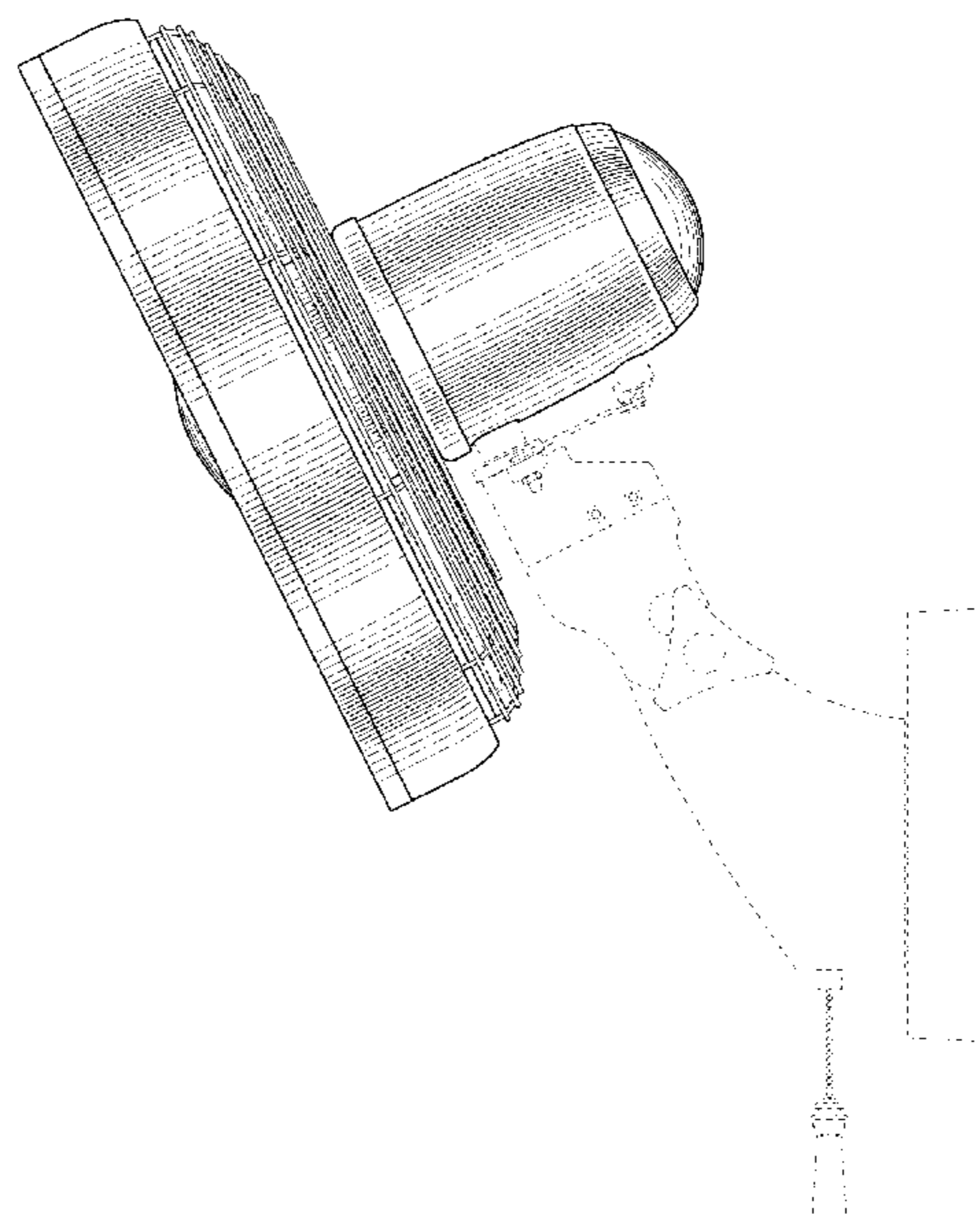
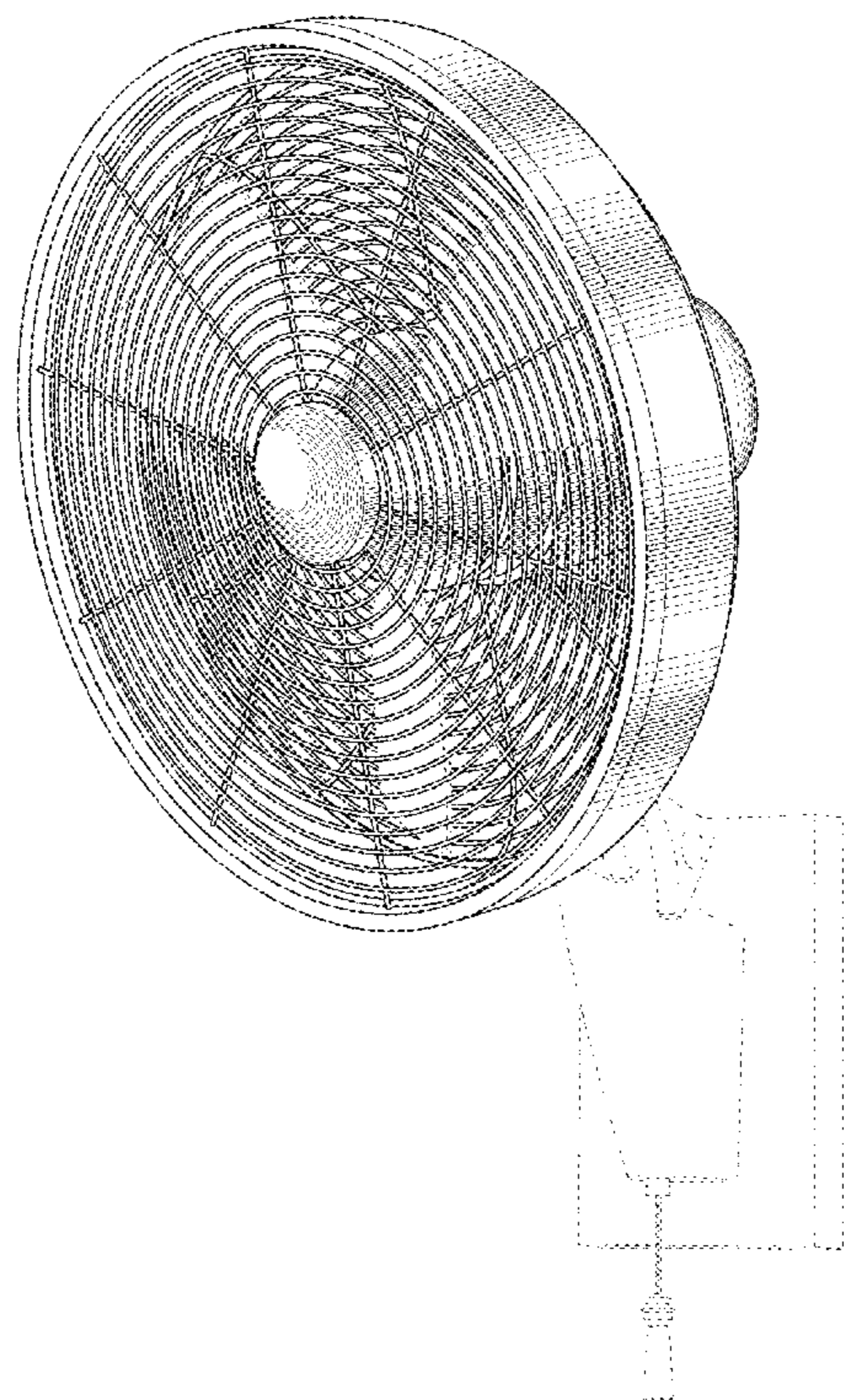
(57) **CLAIM**

The ornamental design for a fan with cage, as shown and described.

DESCRIPTION

FIG. 1 is a perspective view of a fan with cage in accordance with my design;
FIG. 2 is a top plan view thereof;
FIG. 3 is a bottom plan view thereof;
FIG. 4 is a front elevation view thereof;
FIG. 5 is a rear elevation view thereof;
FIG. 6 is a left elevation view thereof; and,
FIG. 7 is a right elevation view thereof.
The broken lines in the drawings illustrate portions of a fan with cage that form no part of the claimed design.

1 Claim, 7 Drawing Sheets



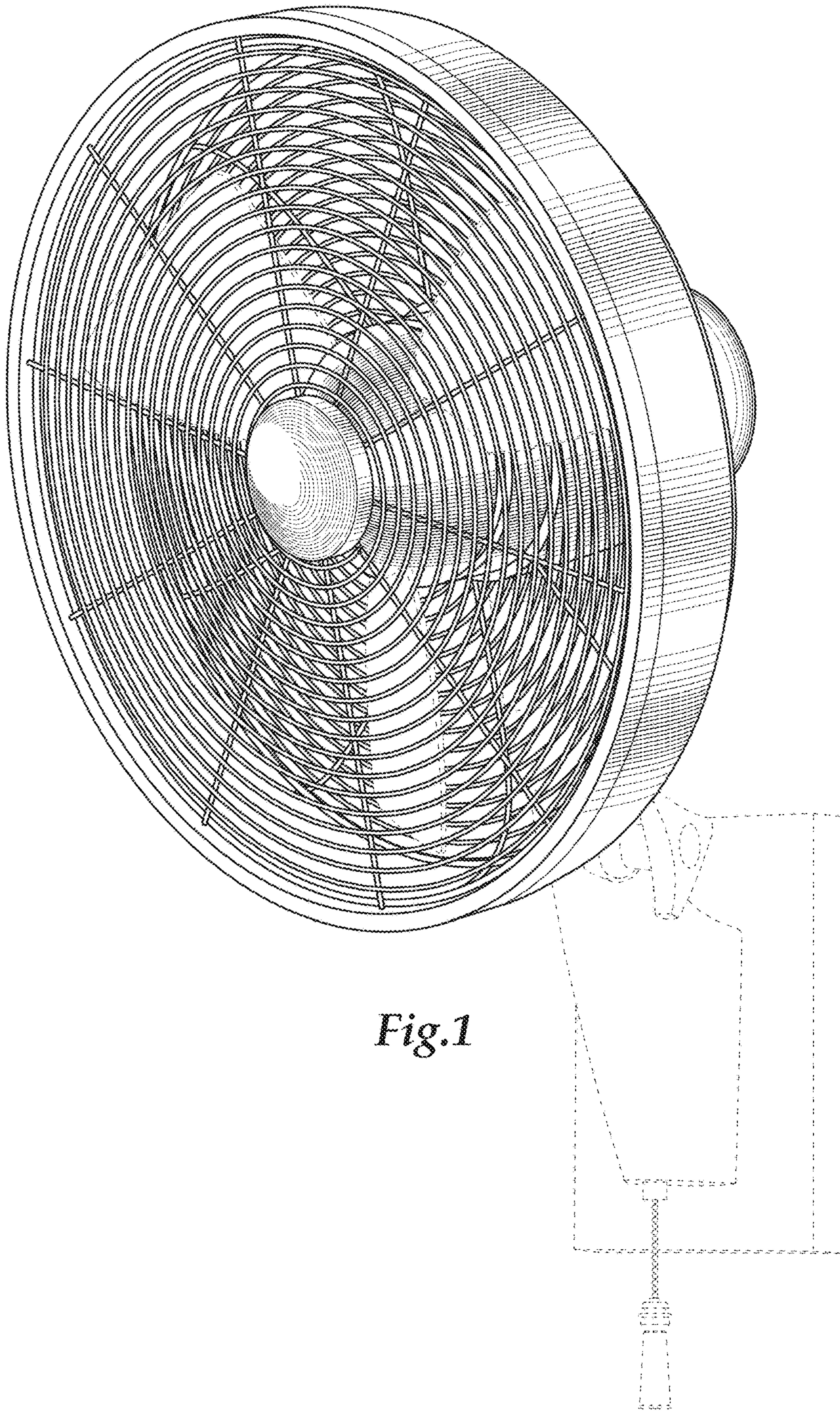


Fig.1

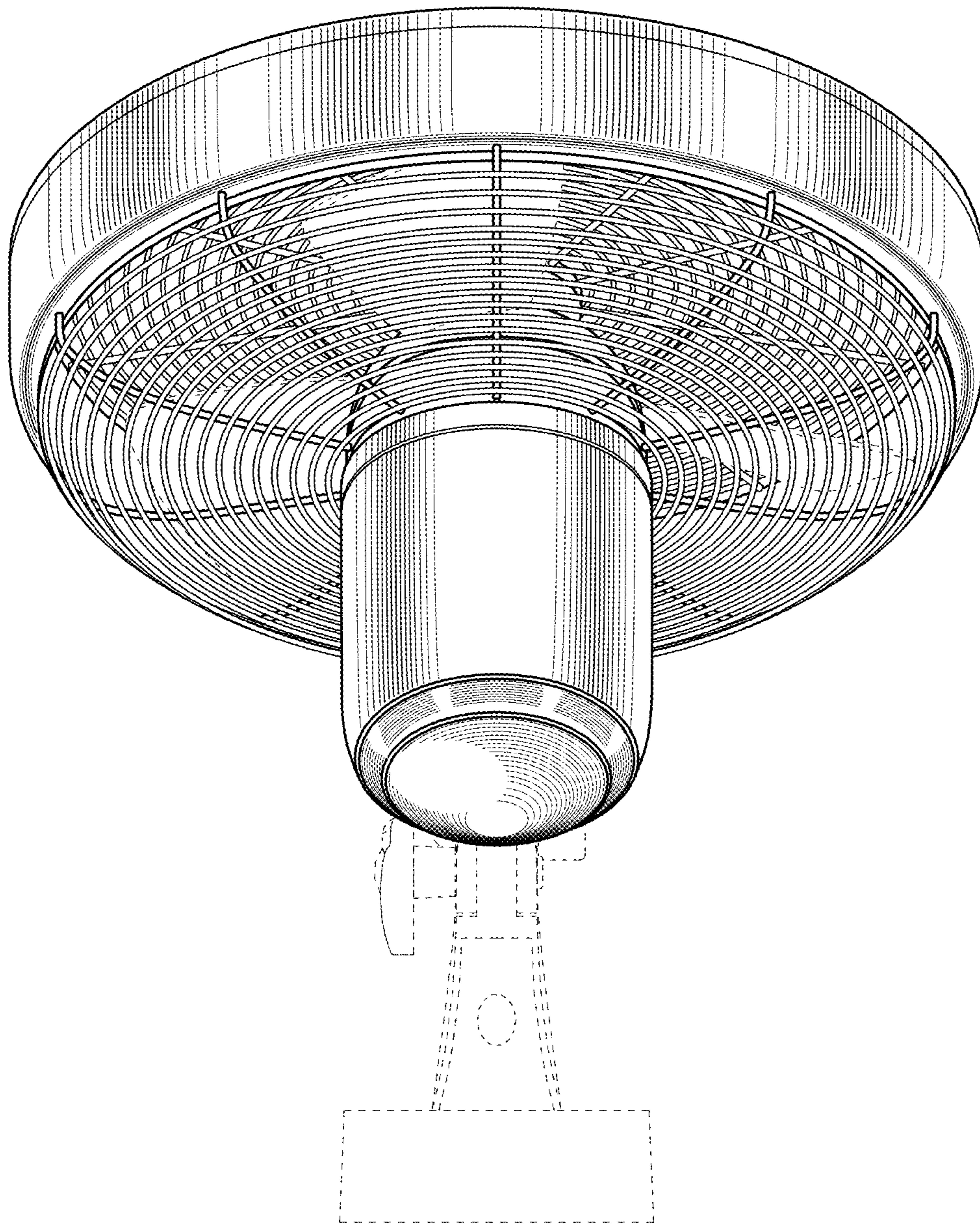


Fig.2

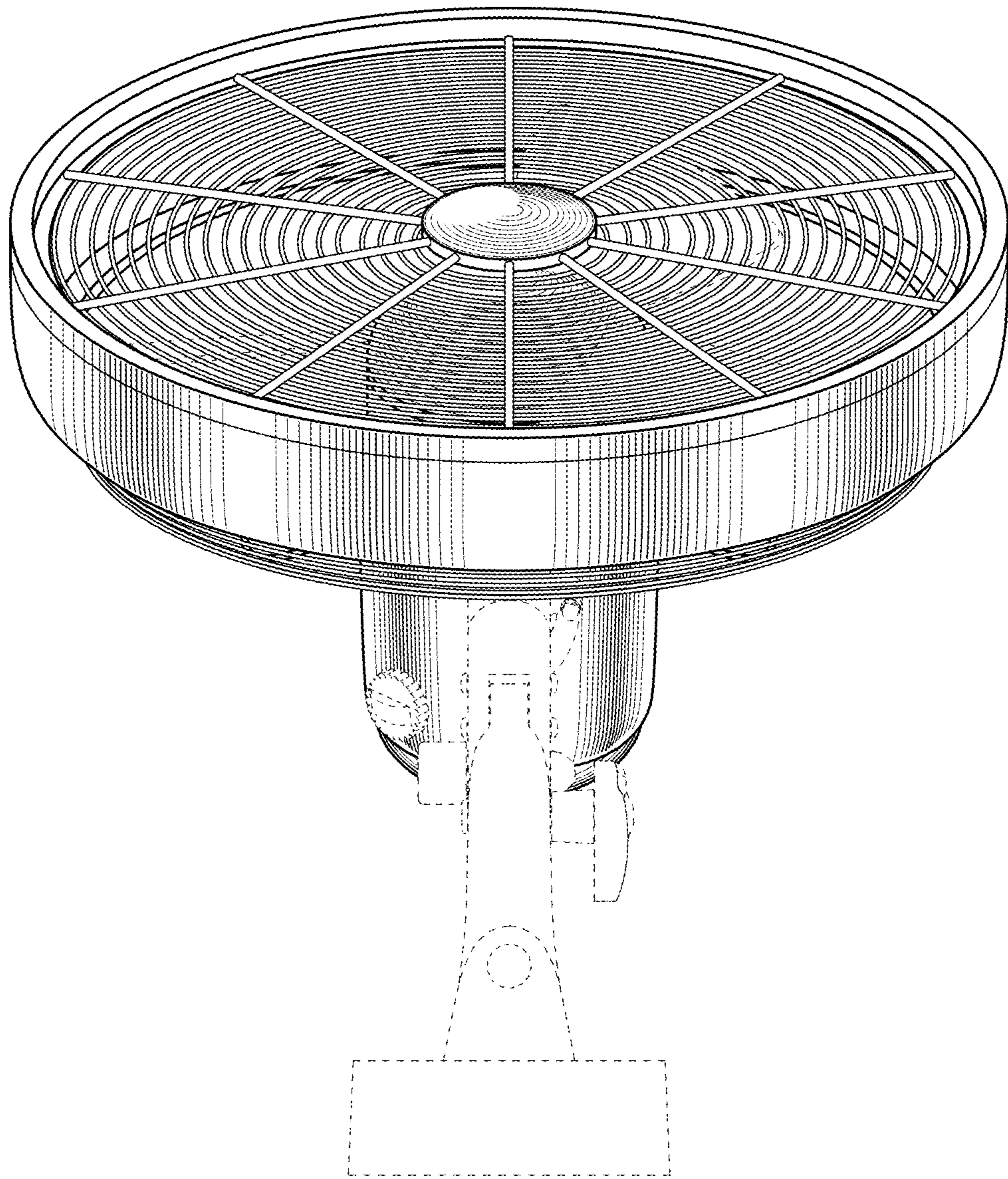


Fig.3

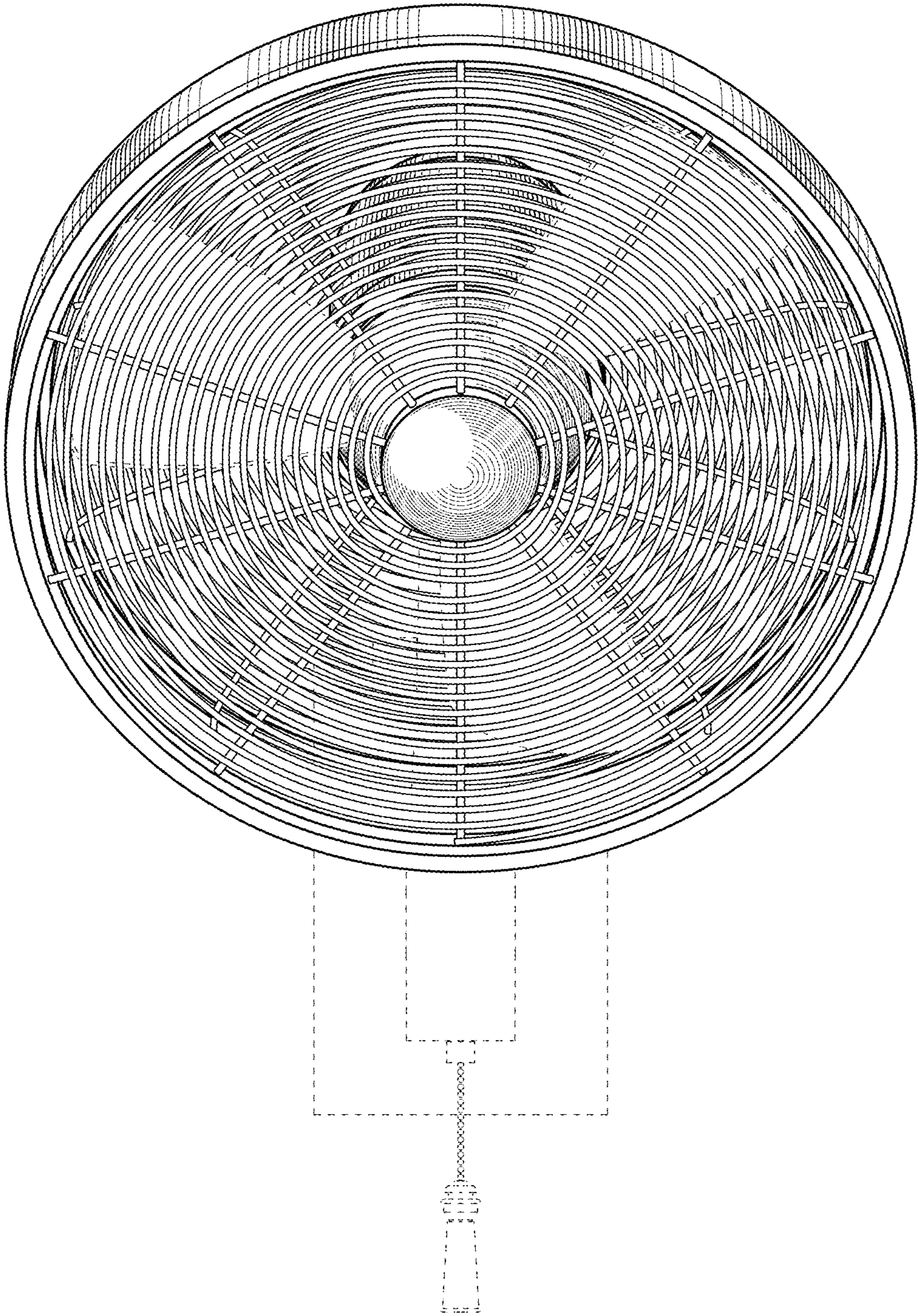


Fig.4

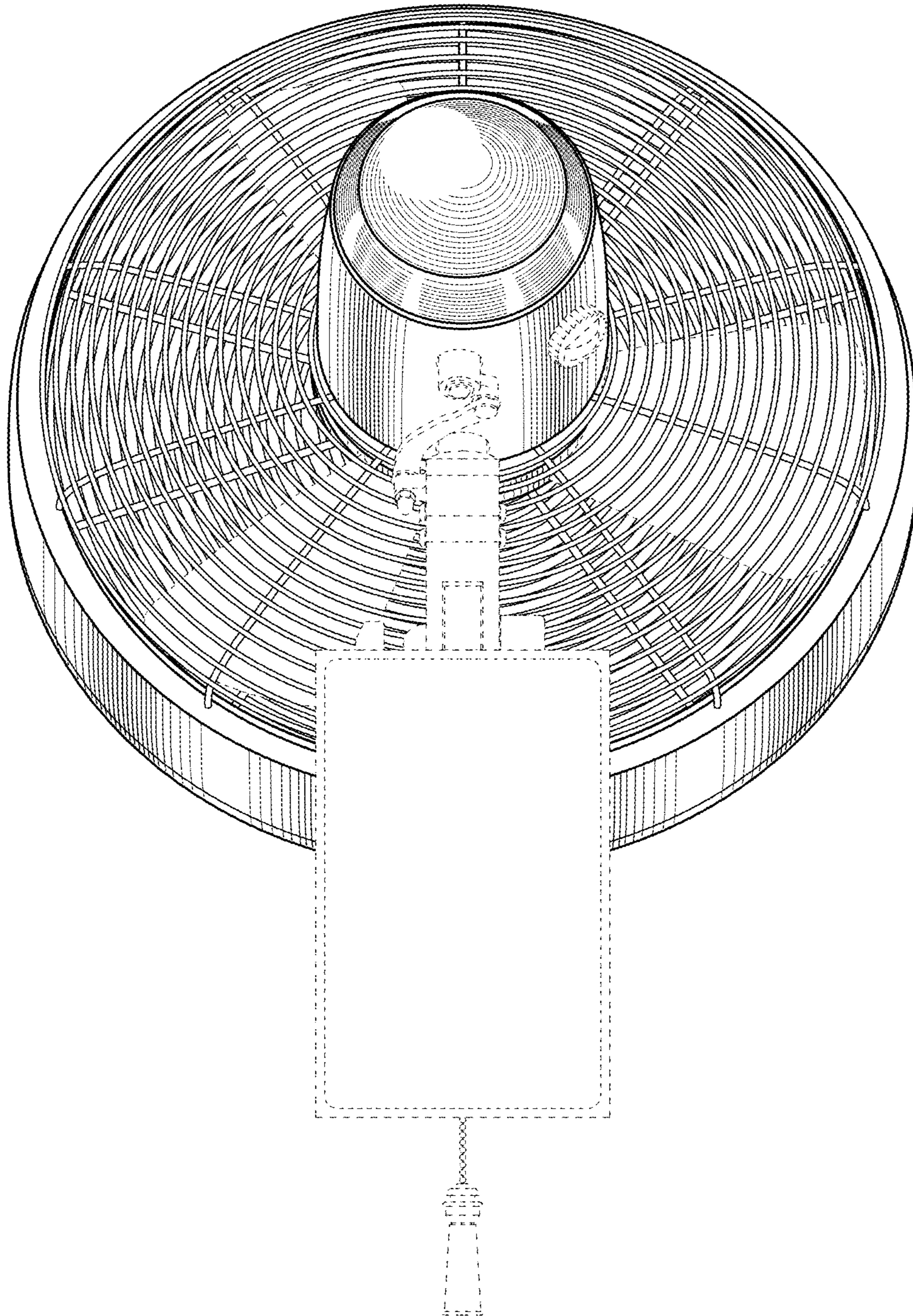


Fig.5

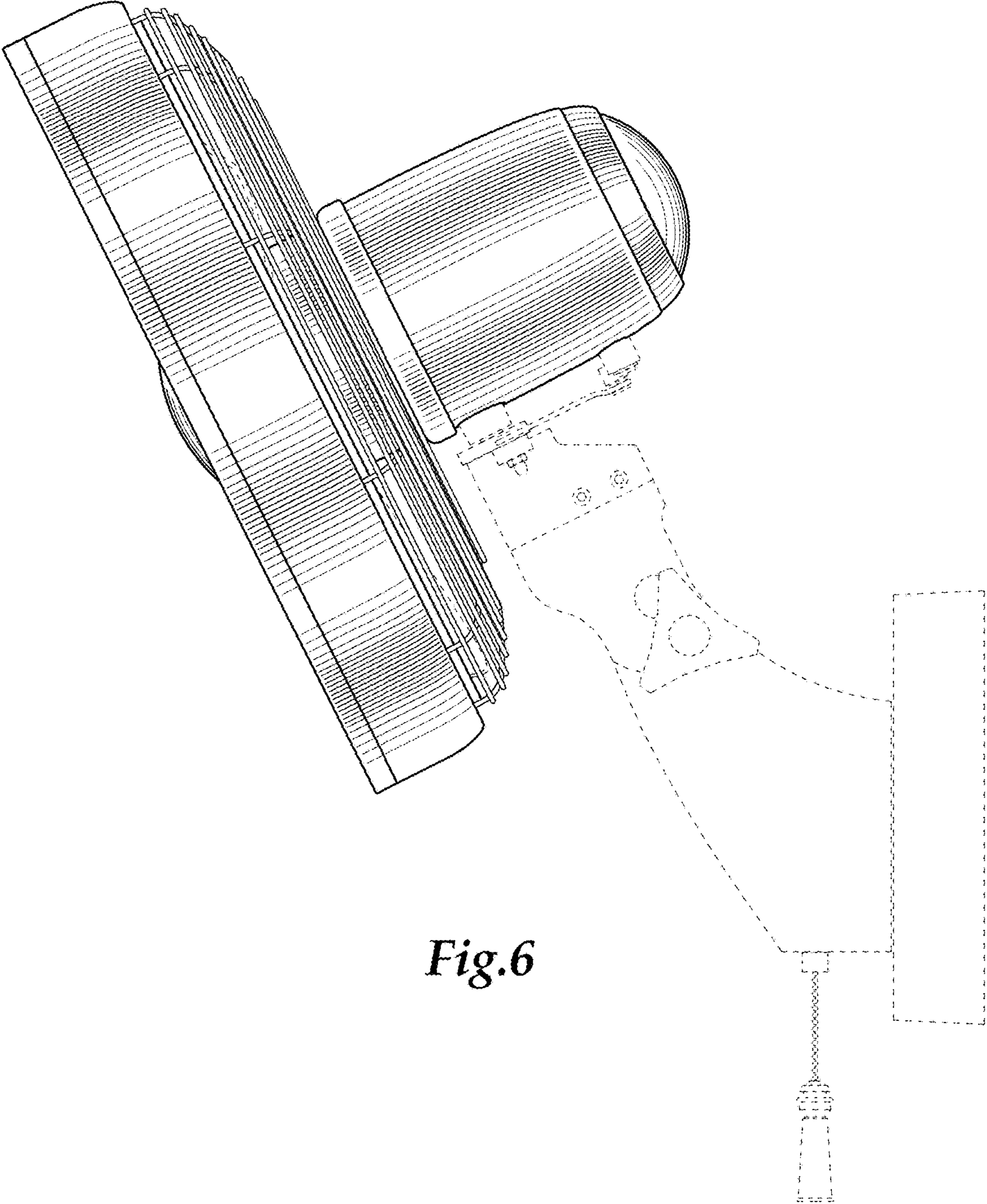


Fig.6

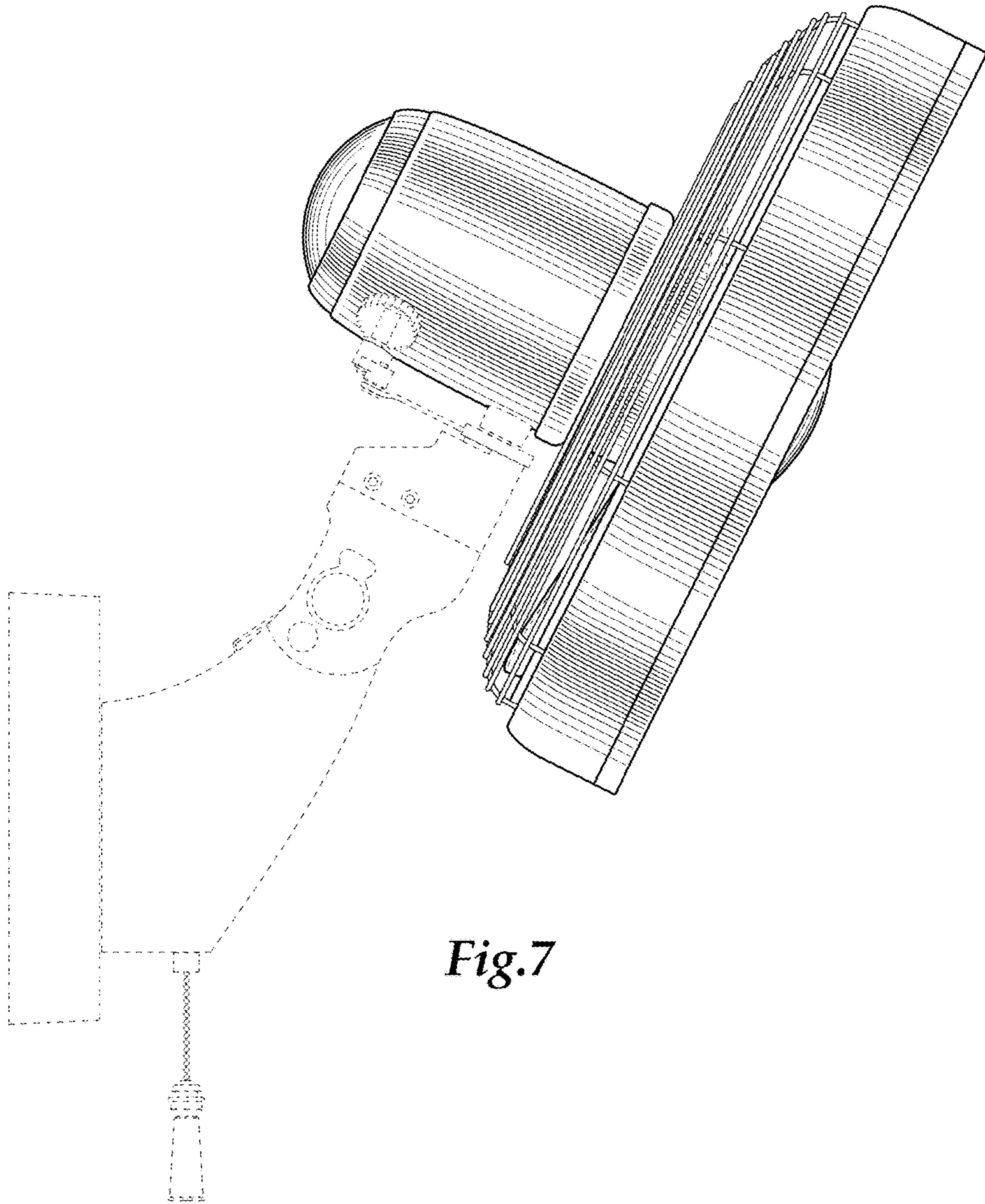


Fig. 7