



US00D835248S

(12) **United States Design Patent** (10) **Patent No.:** **US D835,248 S**  
**Echeverri et al.** (45) **Date of Patent:** **\*\* Dec. 4, 2018**

(54) **AIR PURIFIER**

(71) Applicant: **3M INNOVATIVE PROPERTIES COMPANY**, St. Paul, MN (US)

(72) Inventors: **Nicolas A. Echeverri**, Woodbury, MN (US); **Alonso M. Hernandez**, St. Paul, MN (US); **Aaron P. Thompson**, Menomonie, WI (US); **Angela L. Pan**, Arden Hills, MN (US); **Brian D. Gale**, Blaine, MN (US); **Andrew R. Fox**, Oakdale, MN (US); **Himanshu Jasuja**, Rajasthan (IN)

(73) Assignee: **3M INNOVATIVE PROPERTIES COMPANY**, St. Paul, MN (US)

(\*\*) Term: **15 Years**

(21) Appl. No.: **29/616,453**

(22) Filed: **Sep. 6, 2017**

(51) **LOC (11) Cl.** ..... **23-04**

(52) **U.S. Cl.**  
USPC ..... **D23/364**

(58) **Field of Classification Search**  
USPC ..... D23/355-366, 352, 369, 332, 333, 335, D23/336, 342, 351; 422/120, 122; 55/356, 473, 504; 96/97; 261/356, 473, 261/504  
CPC .. A61L 9/16; A61L 9/22; B01D 47/00; B01D 2259/4508; F24F 3/16; F24F 13/20; F24F 2001/0096; F24F 3/1405; F24F 13/222  
See application file for complete search history.

(56) **References Cited**

**U.S. PATENT DOCUMENTS**

D638,923 S \* 5/2011 Choi ..... D23/364  
D639,413 S \* 6/2011 Wu ..... D23/364

D705,410 S \* 5/2014 Terao ..... D23/364  
D735,843 S \* 8/2015 Sunwoo ..... D23/333  
D741,465 S \* 10/2015 Satou ..... D23/364  
D791,297 S \* 7/2017 Ljungstrom ..... D23/364  
D797,272 S \* 9/2017 Poindexter ..... D23/364  
D798,430 S \* 9/2017 Nord ..... D23/364  
2006/0015974 A1\* 1/2006 Ike ..... F24F 3/1423  
62/113

**FOREIGN PATENT DOCUMENTS**

JP D1541941 1/2016  
JP D1554467 7/2016  
JP D1561709 10/2016

\* cited by examiner

*Primary Examiner* — David Muller

(74) *Attorney, Agent, or Firm* — Irina Hass

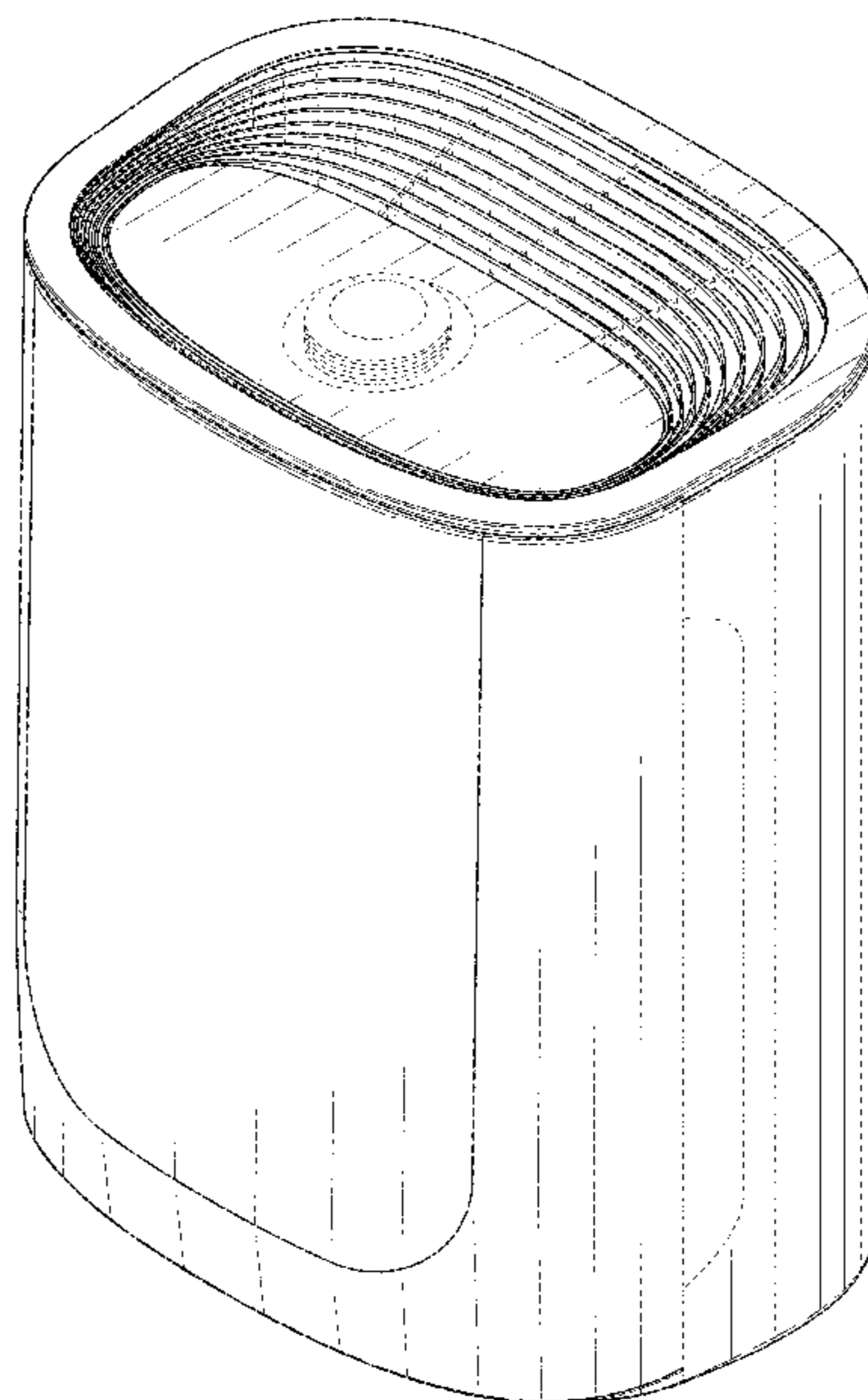
(57) **CLAIM**

The ornamental design for an air purifier, as shown and described.

**DESCRIPTION**

FIG. 1 is a perspective view showing the new design for an air purifier;  
FIG. 2 is a front view thereof;  
FIG. 3 is a rear view thereof;  
FIG. 4 is a left side view thereof;  
FIG. 5 is a right side view thereof;  
FIG. 6 is a top view thereof; and,  
FIG. 7 is a bottom view thereof.  
The portions of the air purifier in FIGS. 1-7 shown in broken lines are included to show features that form no part of the claimed design.

**1 Claim, 6 Drawing Sheets**



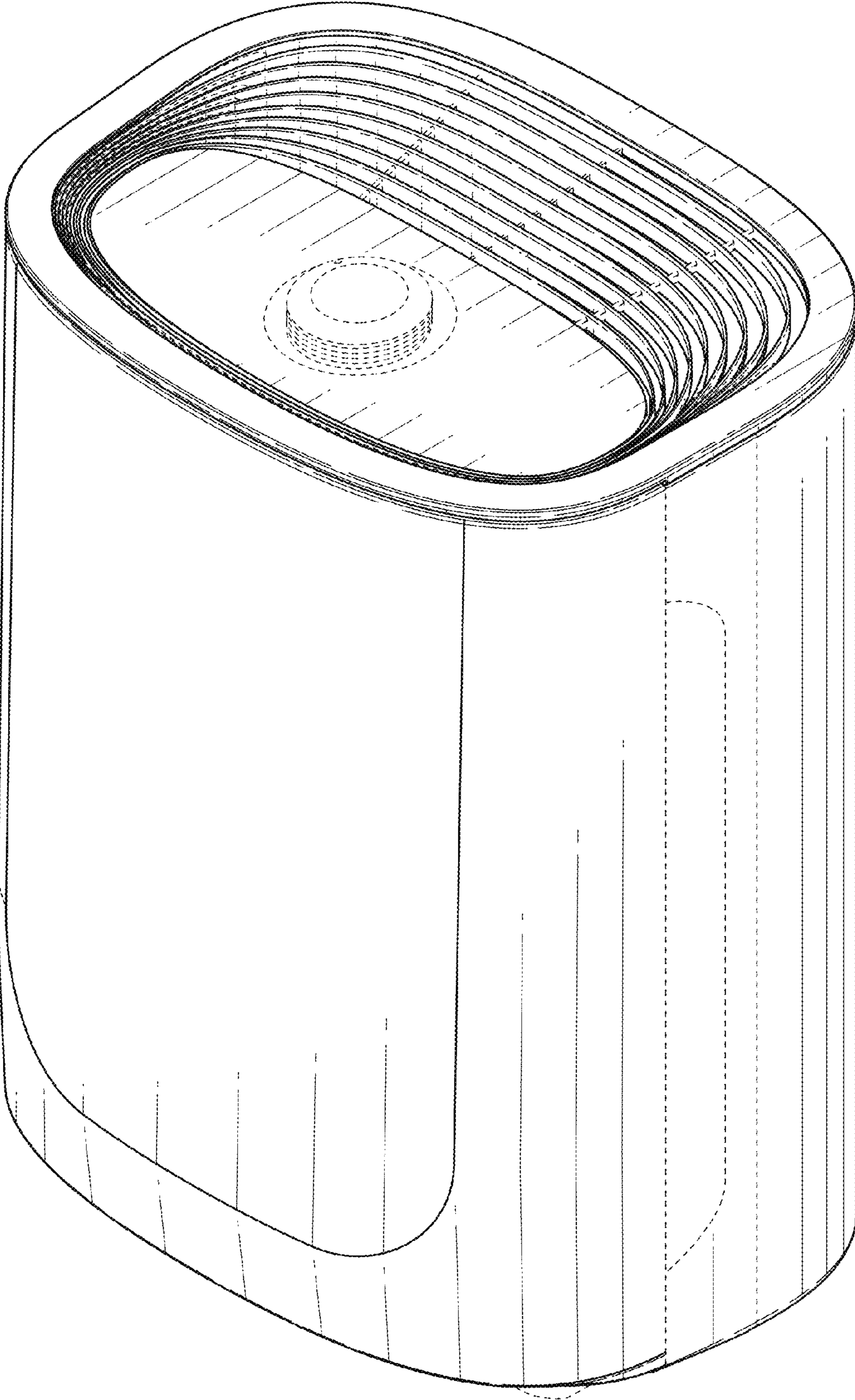


FIG. 1

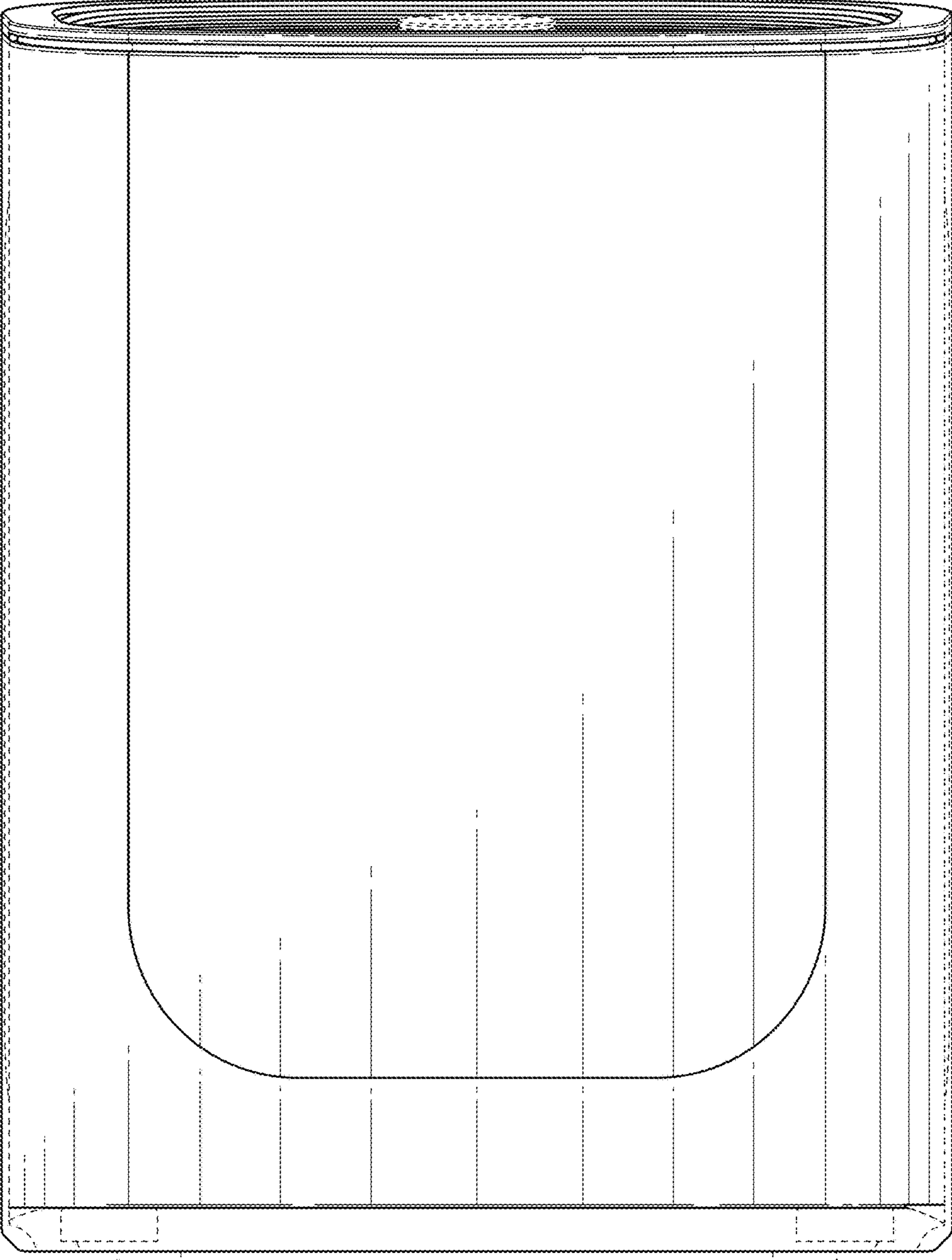


FIG. 2

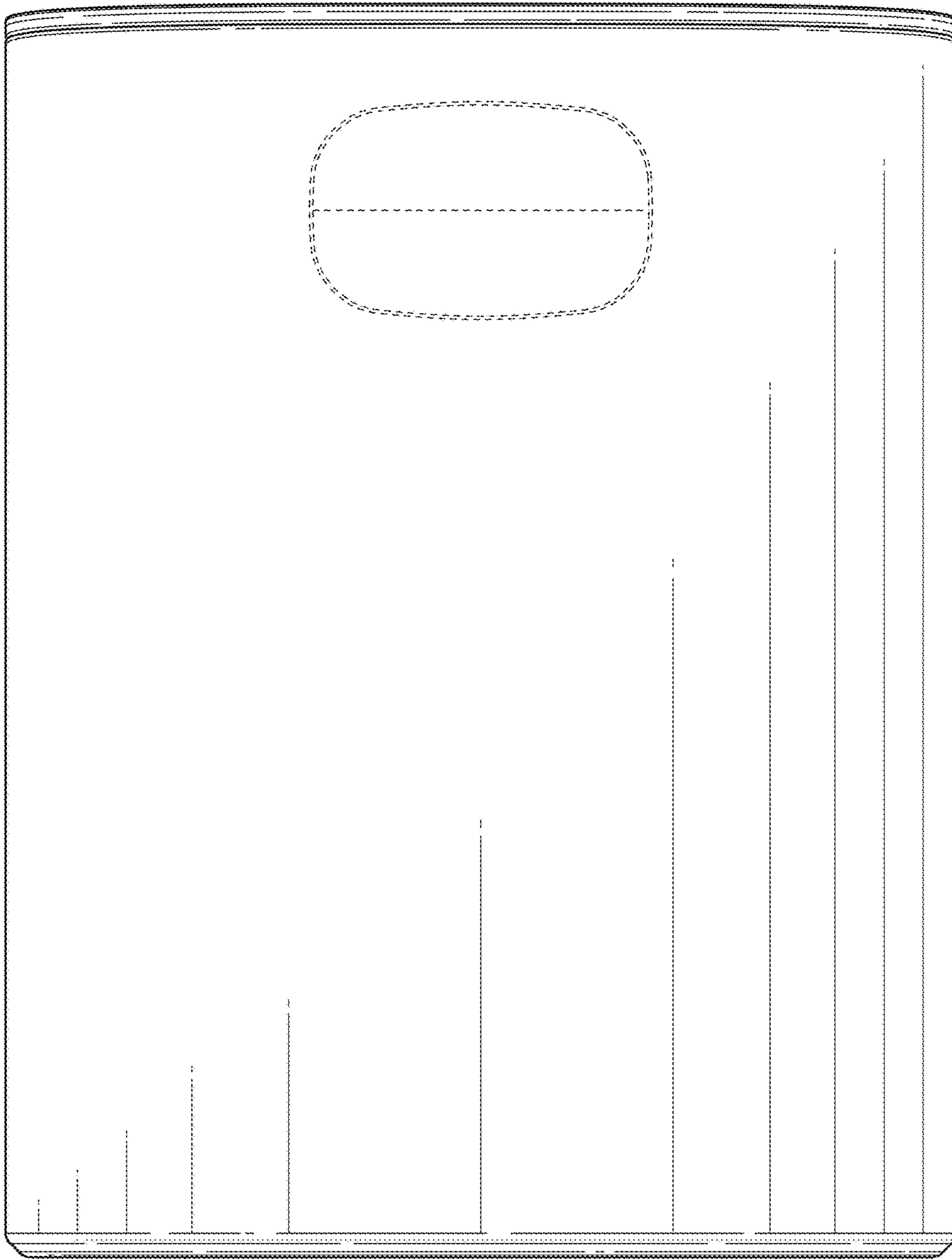


FIG. 3

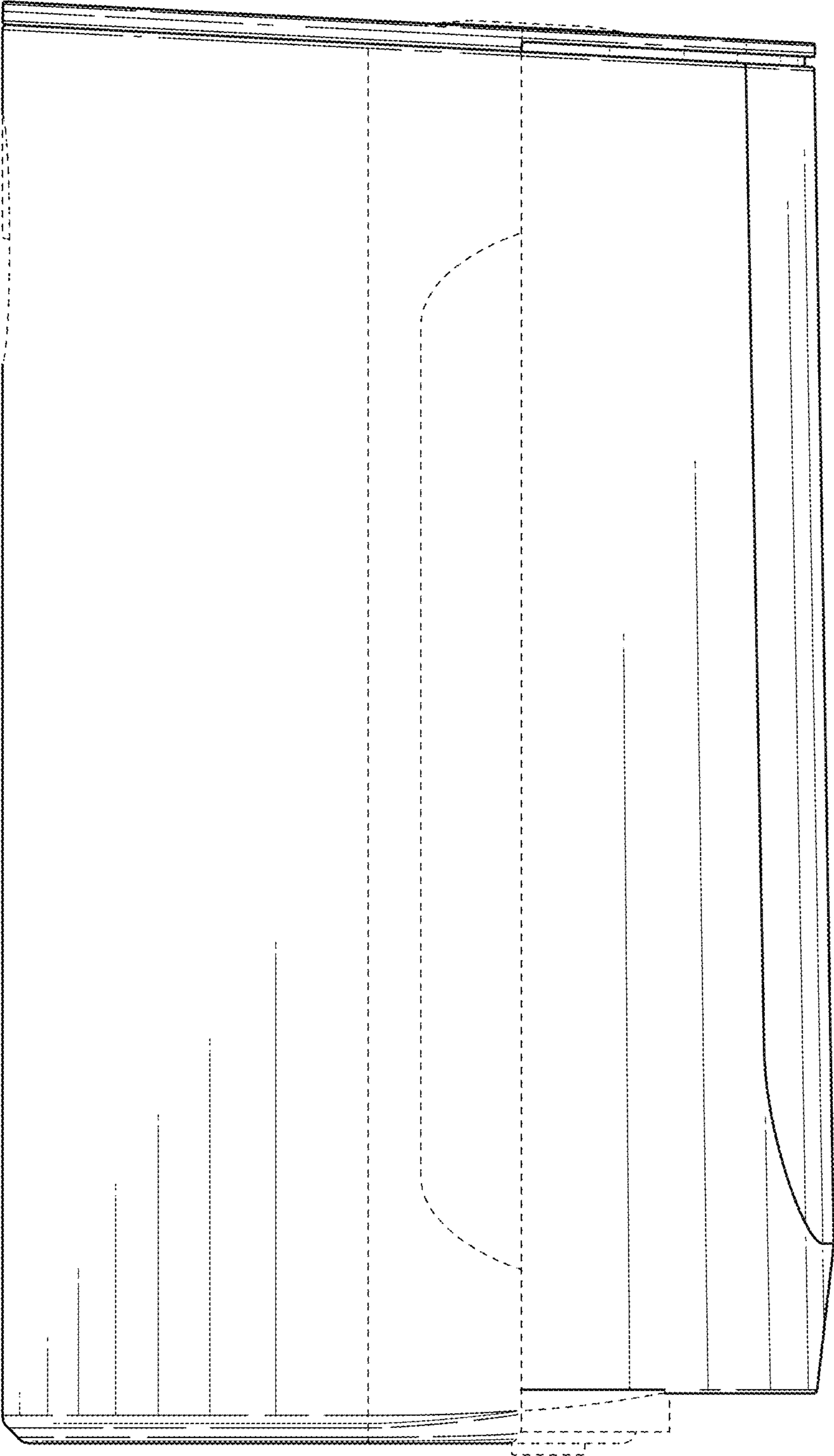


FIG. 4

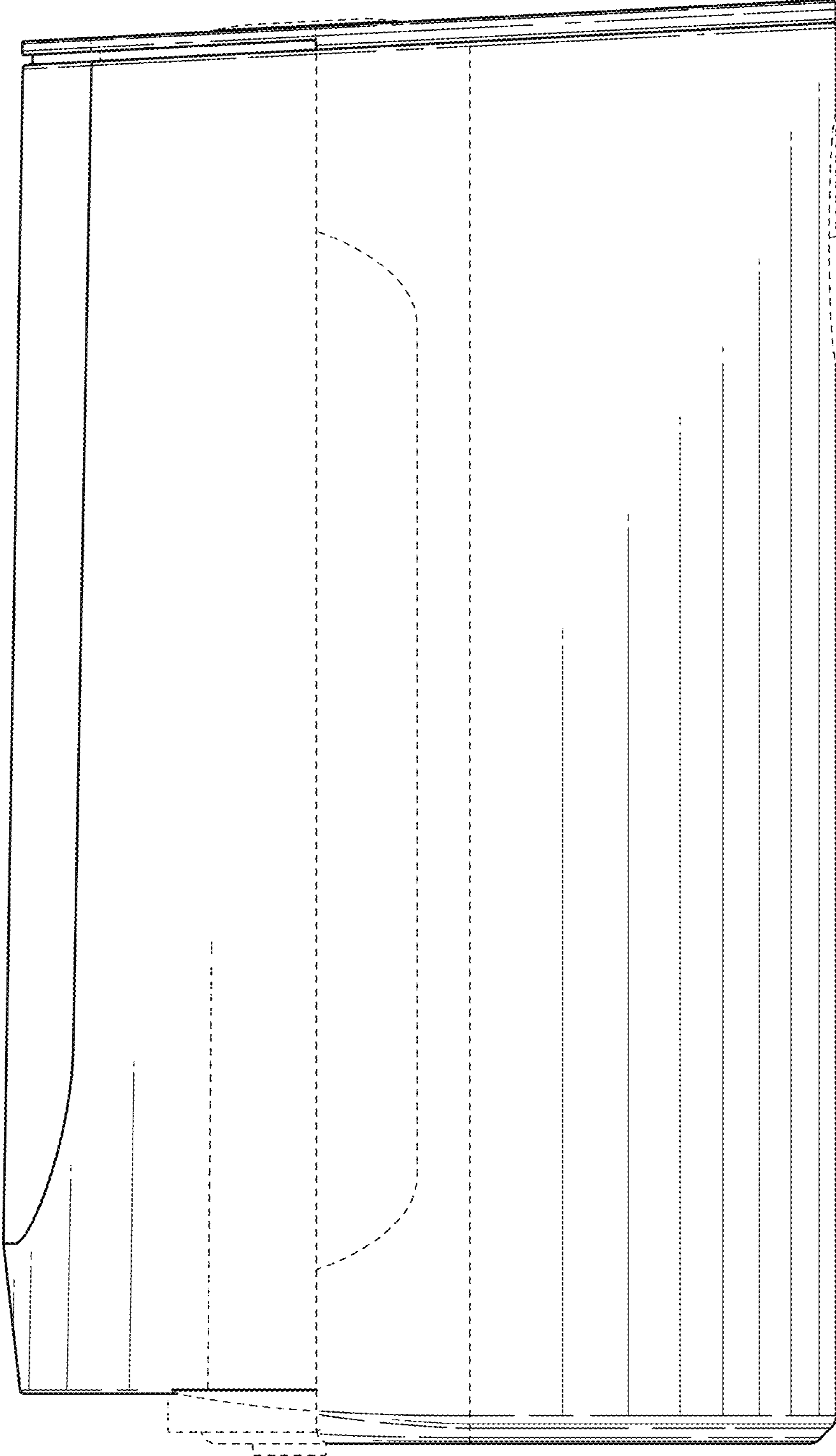


FIG. 5

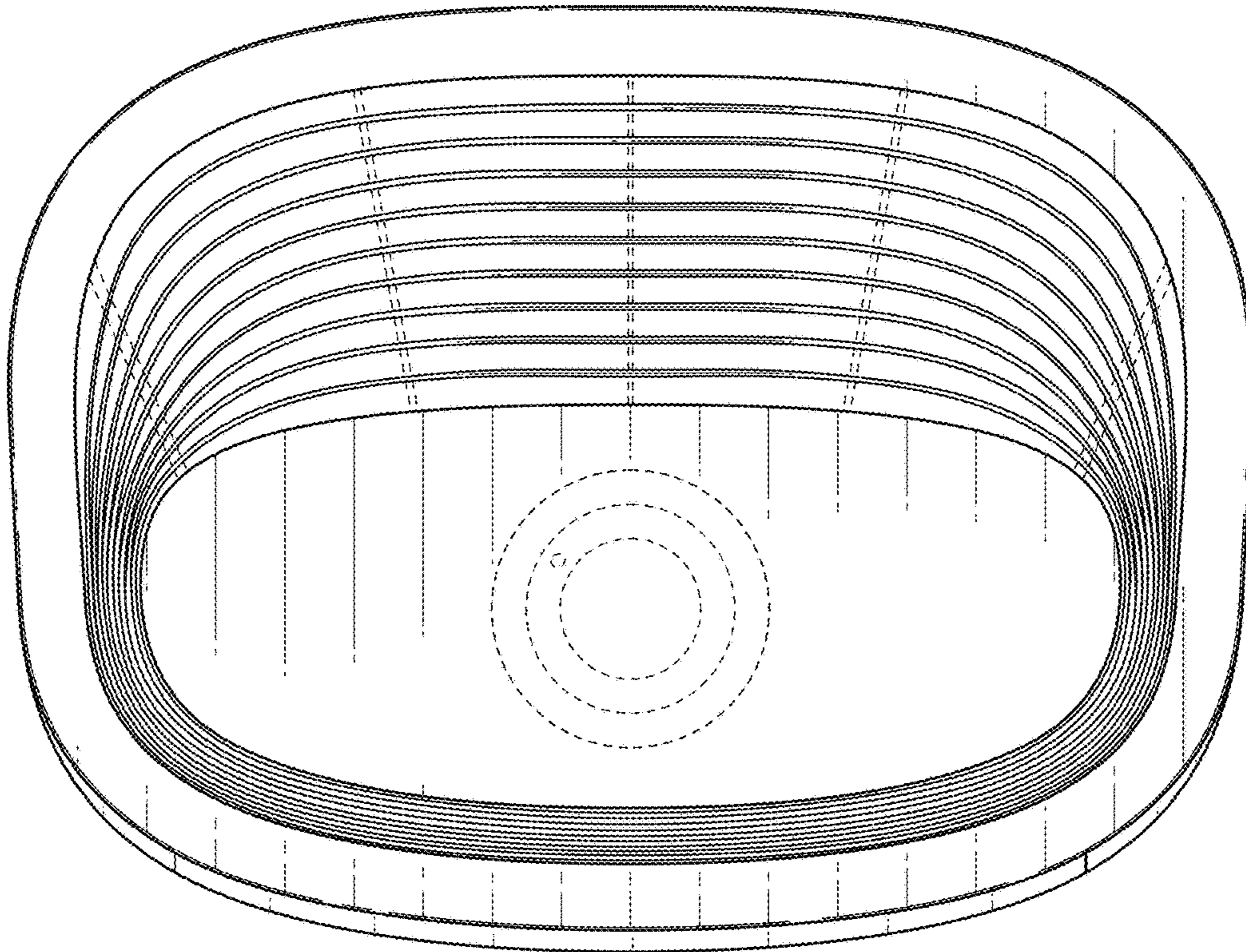


FIG. 6

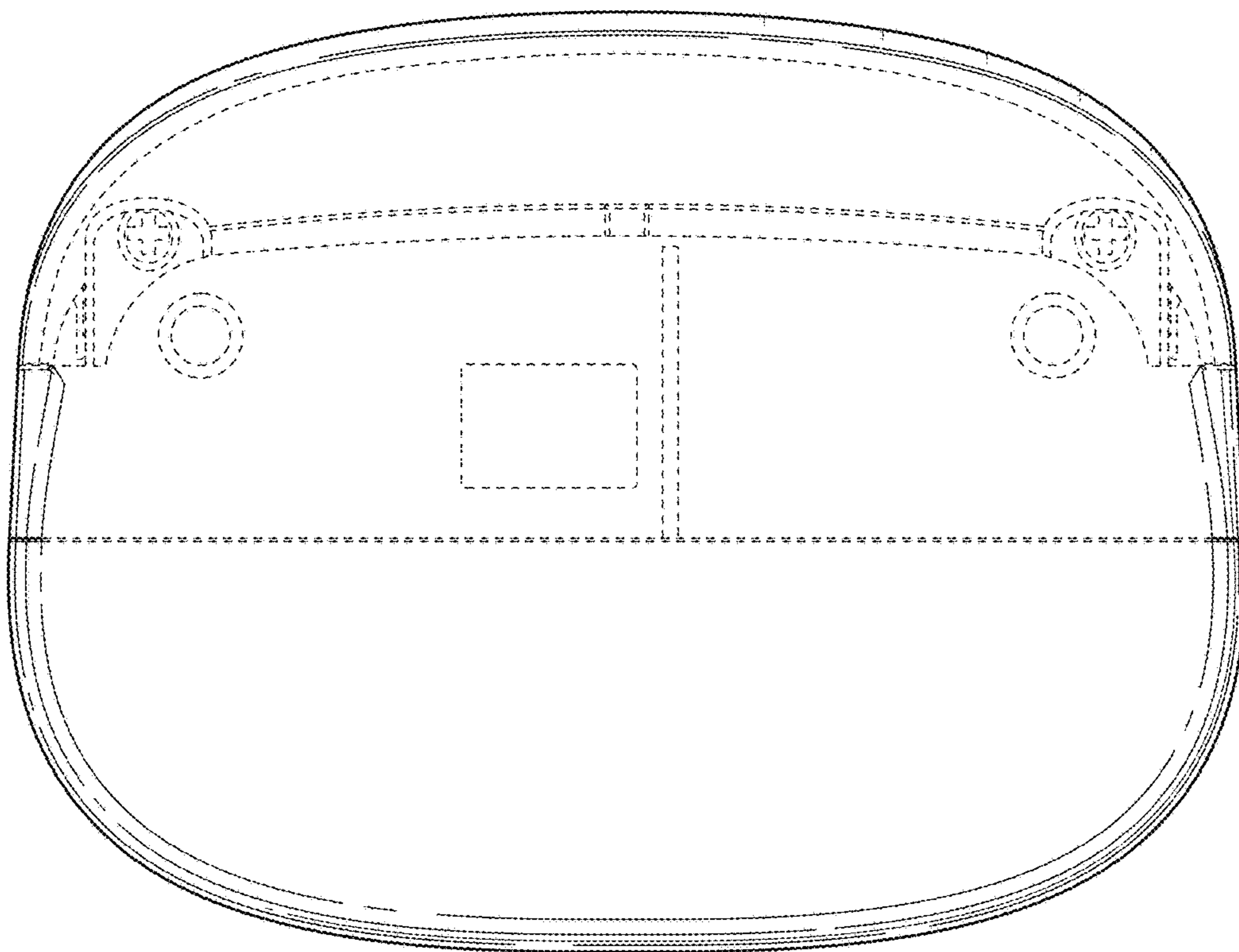


FIG. 7