



US00D835247S

(12) **United States Design Patent**
Park et al.

(10) **Patent No.:** **US D835,247 S**
(45) **Date of Patent:** **** Dec. 4, 2018**

(54) **PHOTOCATALYTIC MODULE FOR AIR
CLEANER OF VEHICLE**

D696,760 S *	12/2013	Wolf, II	D23/364
D701,950 S *	4/2014	Chan	D23/342
8,747,737 B2 *	6/2014	Lynn	A61L 9/015 250/455.11
D708,727 S *	7/2014	Postma	D23/360
D769,434 S *	10/2016	Sevy	D23/364
D777,891 S *	1/2017	Kubota	D23/351
D780,901 S *	3/2017	Huang	D23/370
D784,503 S *	4/2017	Eicher	D23/351
D786,416 S *	5/2017	Alvise	D23/359
D789,503 S *	6/2017	Alvise	D23/359
D791,295 S *	7/2017	Wetzel	D23/351

(71) Applicant: **HANON SYSTEMS**, Daejeon (KR)

(72) Inventors: **Tae Yong Park**, Daejeon (KR); **Jae Ho Kim**, Daejeon (KR)

(73) Assignee: **HANON SYSTEMS**, Daejeon (KR)

(**) Term: **15 Years**

(21) Appl. No.: **29/580,193**

(22) Filed: **Oct. 6, 2016**

(30) **Foreign Application Priority Data**

Apr. 19, 2016 (KR) 30-2016-0018476

(51) **LOC (11) Cl.** **23-04**

(52) **U.S. Cl.**
USPC **D23/364**

(58) **Field of Classification Search**
USPC D23/355-366, 352, 369, 332, 333, 335,
D23/336, 342, 351; 422/120, 122;
55/356, 473, 504; 96/97; 261/DIG. 17,
261/DIG. 65, DIG. 88, DIG. 31
CPC .. A61L 9/16; A61L 9/22; B01D 47/00; B01D
47/027; B01D 2221/02; B01D 2259/4508;
B03C 3/155; F24F 13/20; F24F 13/22
See application file for complete search history.

(56) **References Cited**

U.S. PATENT DOCUMENTS

D560,622 S *	1/2008	Ishihara	D13/179
D645,130 S *	9/2011	Goldstein	D23/356

* cited by examiner

Primary Examiner — David G Muller

(74) *Attorney, Agent, or Firm* — Dickinson Wright PLLC

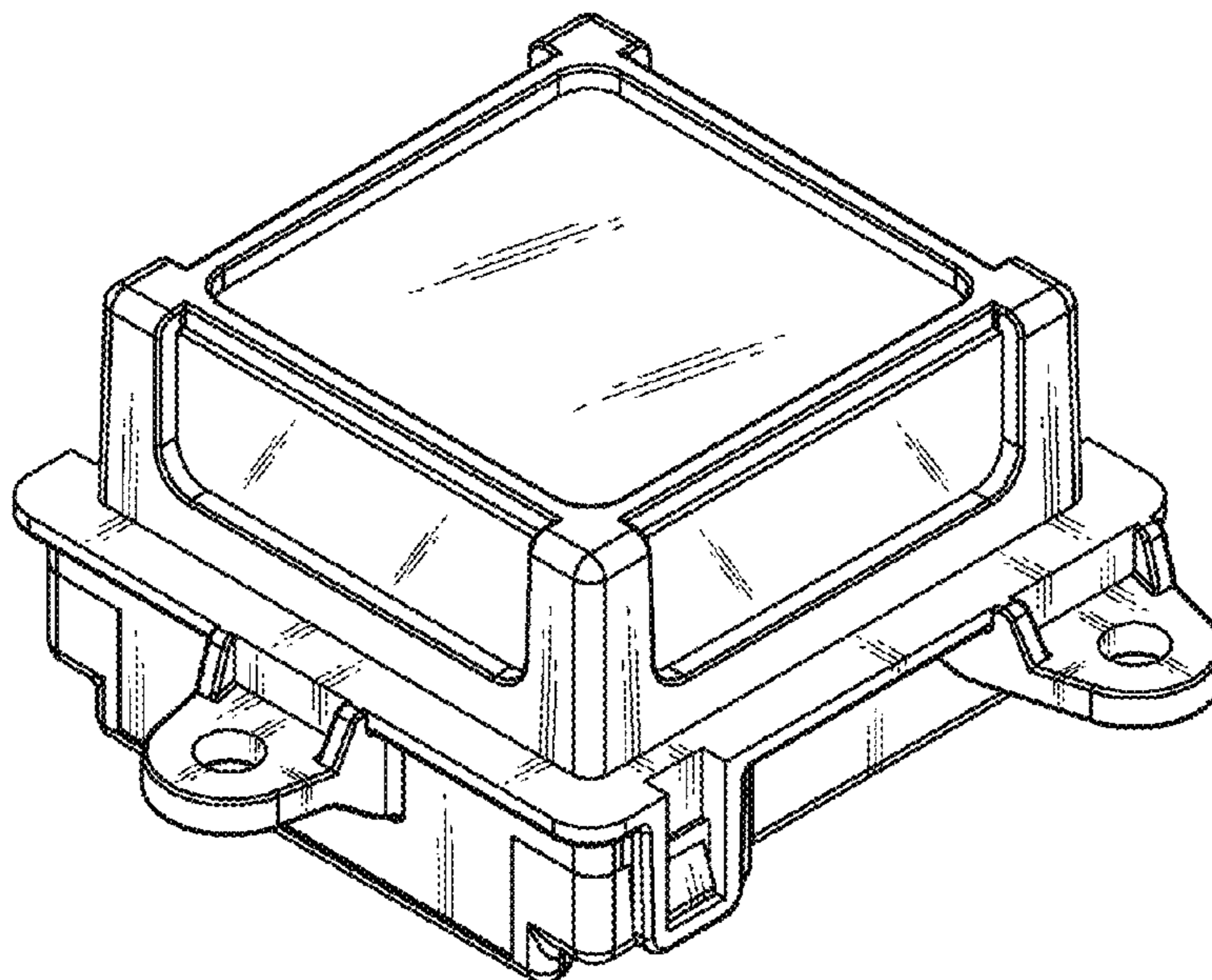
(57) **CLAIM**

The ornamental design for a photocatalytic module for air cleaner of vehicle, as shown and described.

DESCRIPTION

FIG. 1 illustrates the overall form of the design; FIG. 2 is a front view of the design; FIG. 3 is a rear view of the design; FIG. 4 is a left side view of the design (the right side view of the design is not shown since it is symmetric to the left side view of the design); FIG. 5 is a plan view of the design; FIG. 6 is a bottom view of the design; and, FIG. 7 is a disassembled view of the design. The broken lines in FIGS. 1-7 represent environment only and form no part of the claimed design.

1 Claim, 4 Drawing Sheets



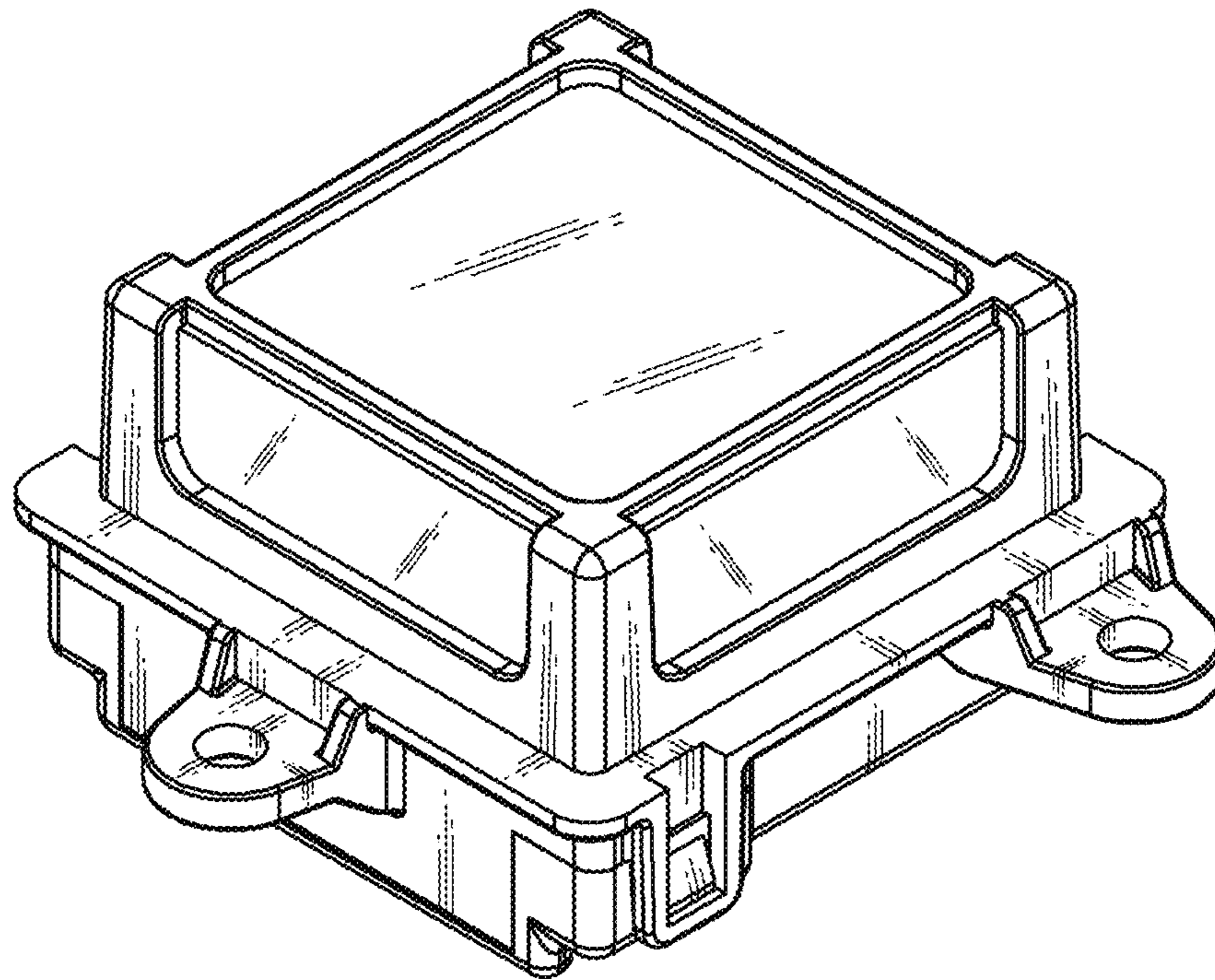


FIG. 1

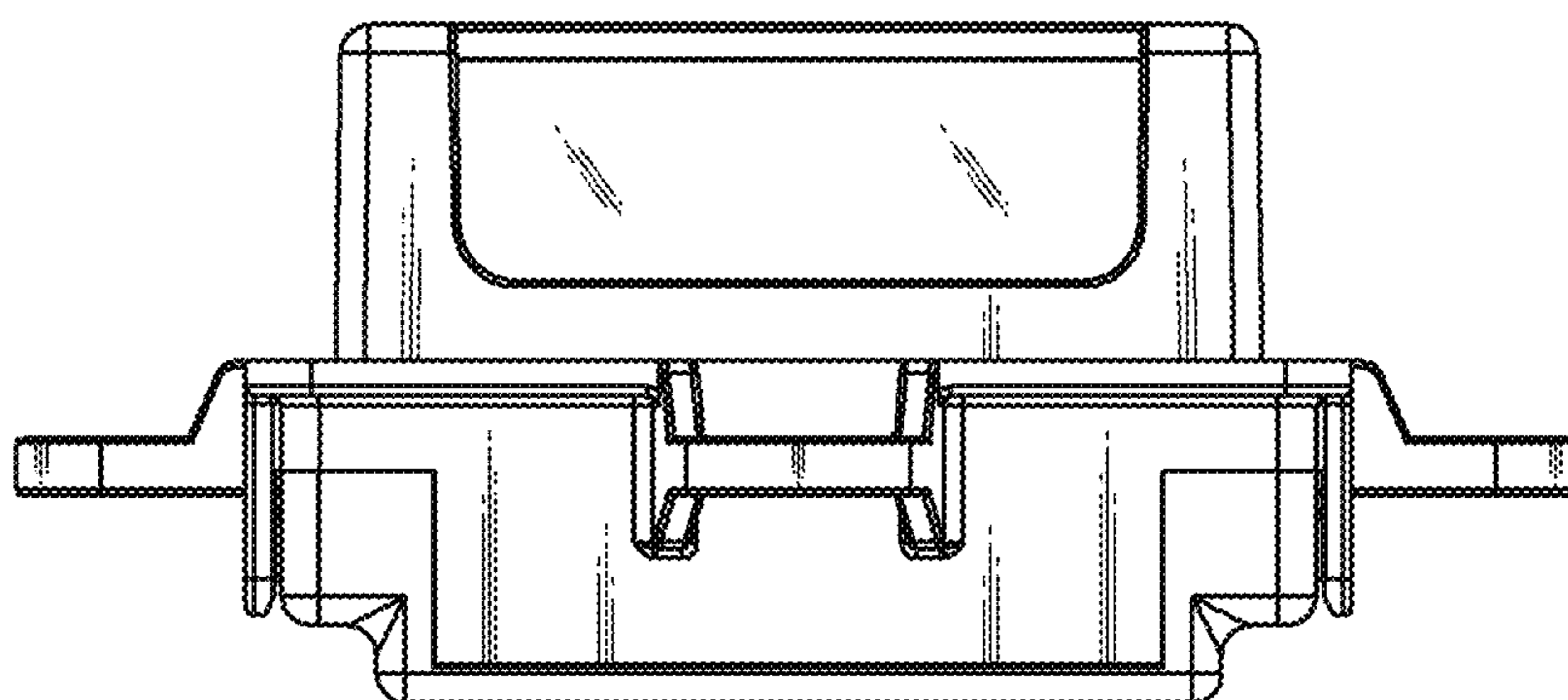


FIG. 2

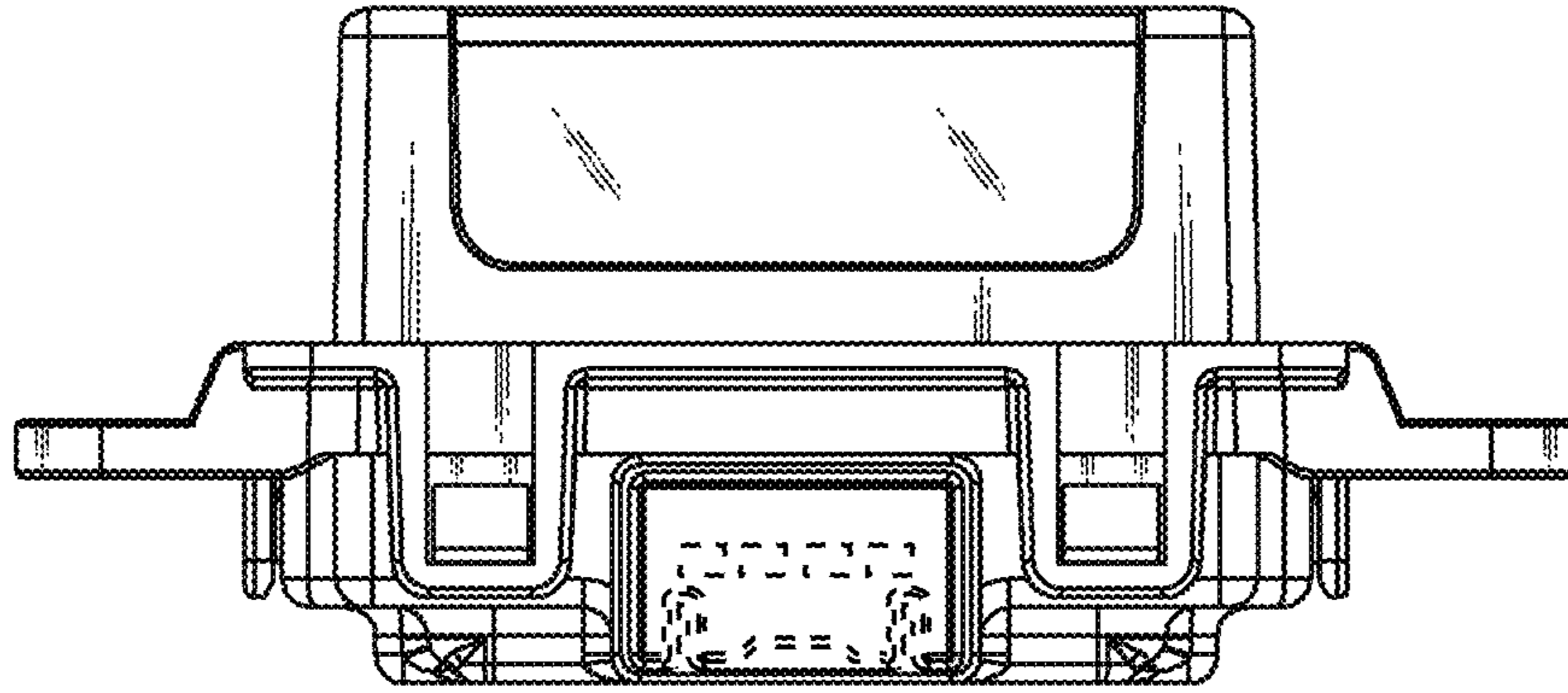


FIG. 3

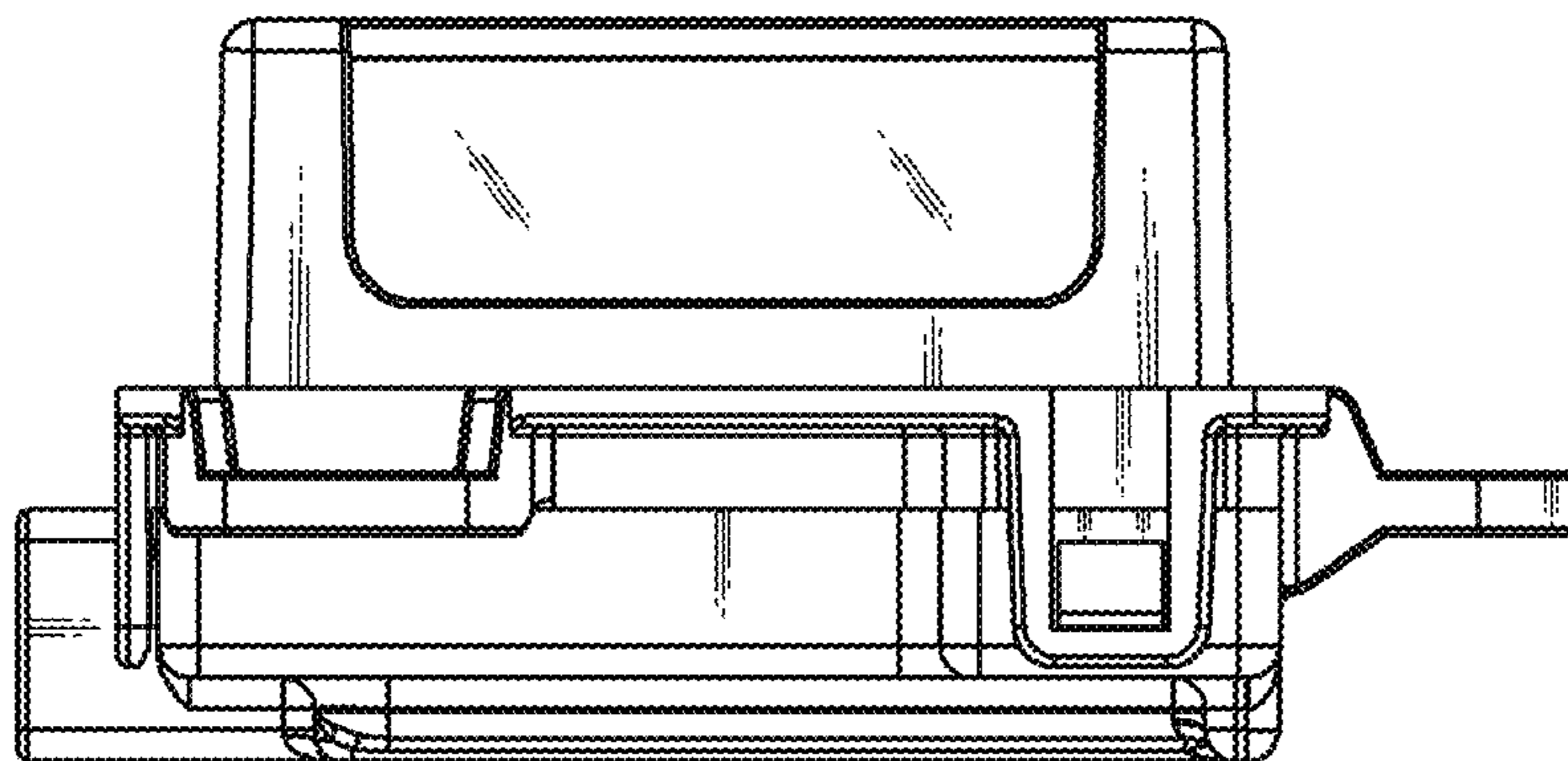


FIG. 4

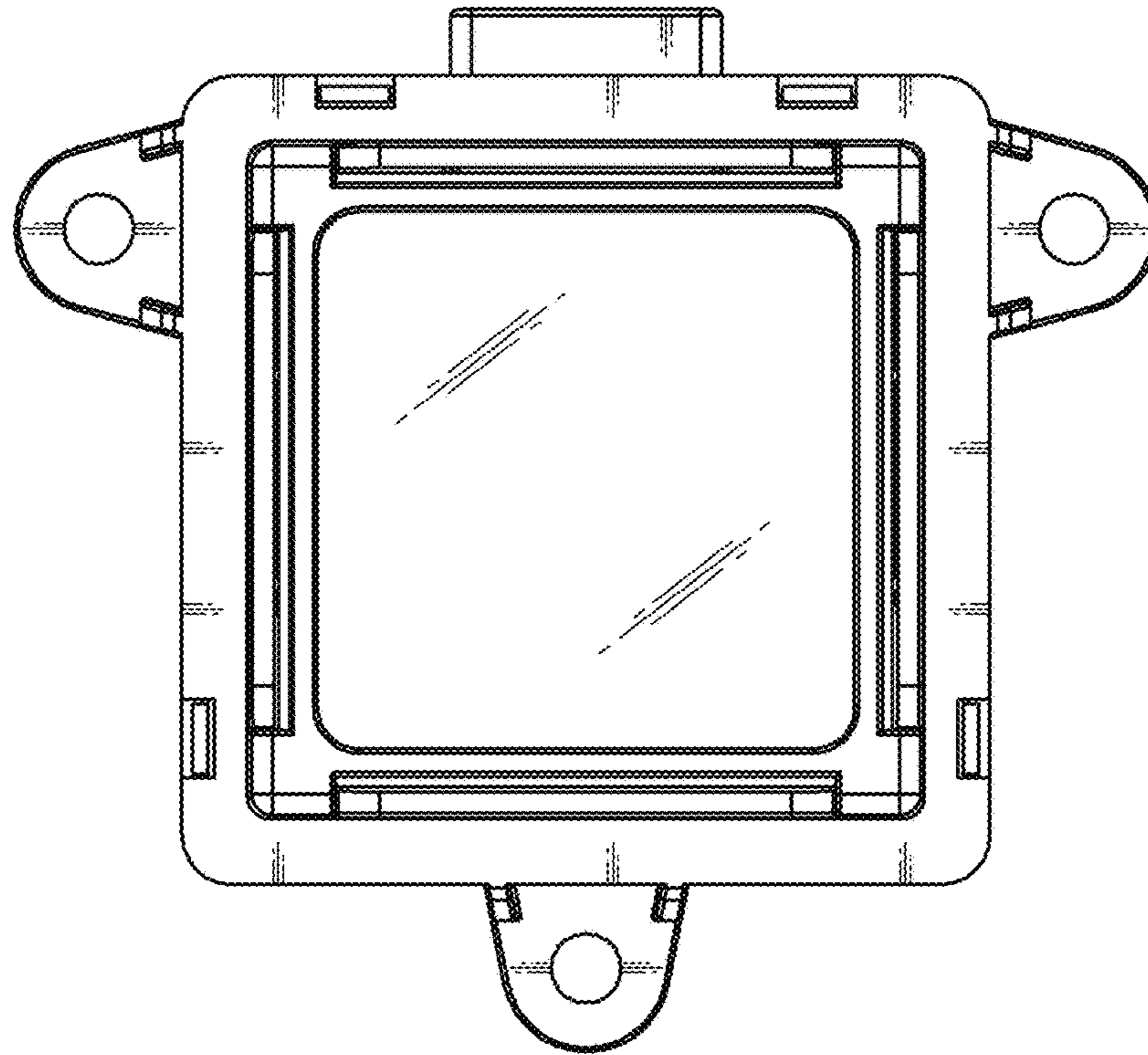


FIG. 5

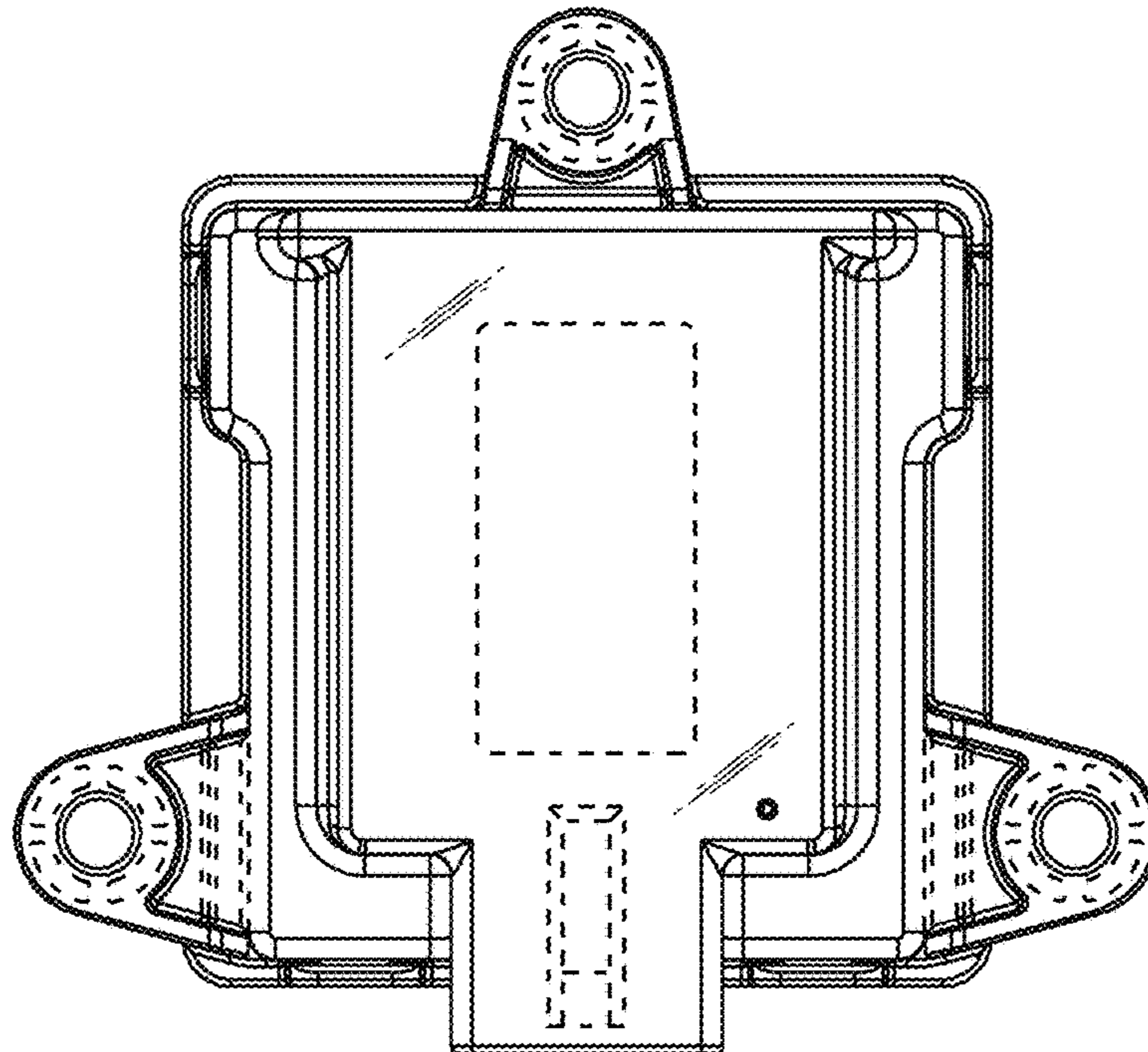


FIG. 6

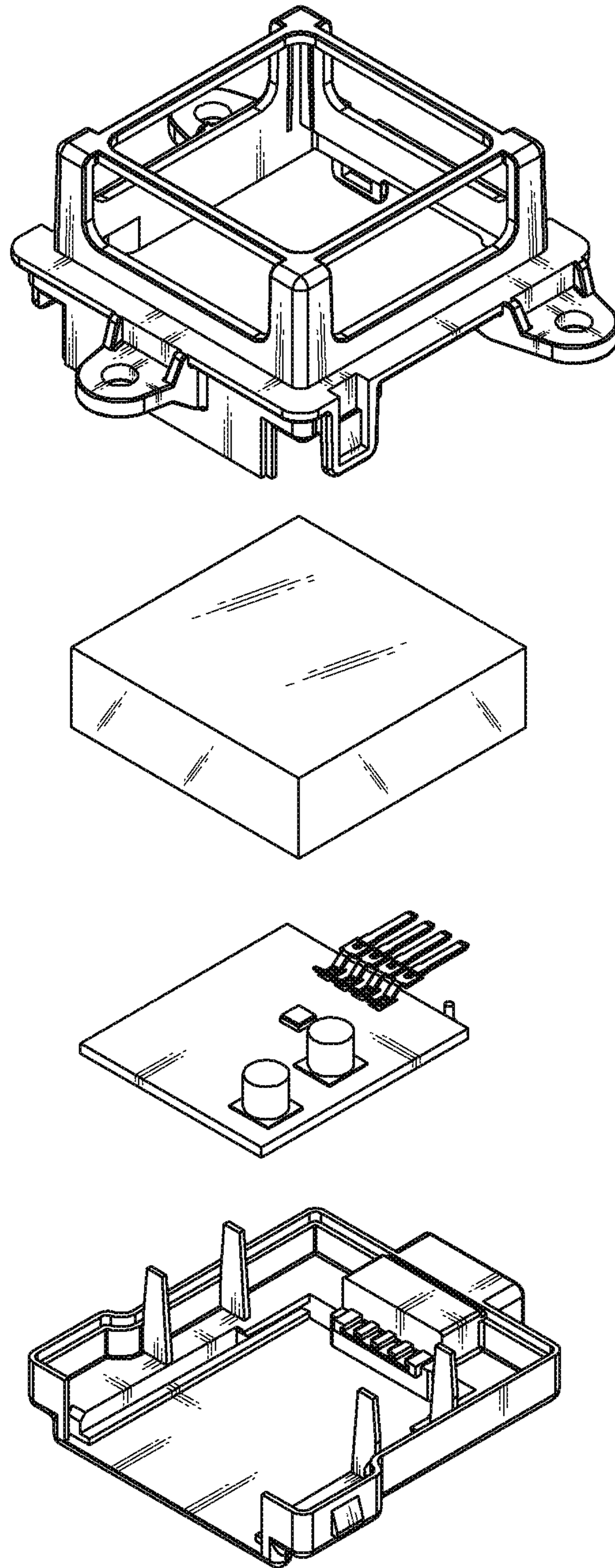


FIG. 7