



US00D835245S

(12) **United States Design Patent** (10) **Patent No.:** **US D835,245 S**
Salehi-Bakhtiari (45) **Date of Patent:** **** Dec. 4, 2018**

(54) **CLIP PIPE FITTING**

(71) Applicant: **Conex IPR Limited**, West Midlands (GB)

(72) Inventor: **Manouchehr Salehi-Bakhtiari**, Kingswinford (GB)

(73) Assignee: **Conex IPR Limited**, West Midlands (GB)

(**) Term: **15 Years**

(21) Appl. No.: **29/564,713**

(22) Filed: **May 15, 2016**

(30) **Foreign Application Priority Data**

Apr. 20, 2016 (DE) 40 2016 100 508

(51) **LOC (11) Cl.** **23-01**

(52) **U.S. Cl.**
USPC **D23/263**

(58) **Field of Classification Search**
USPC D23/259, 262-266, 233-237, 386, 387, D23/393; D13/133; 285/31, 24, 27, 285/121.1, 123.3, 148.22, 347, 199, 179, 285/179.1, 180-182, 132.2, 132.15, 285/124.2, 135.4, 369, 372, 373, 417, 285/305; 137/12, 47, 220, 804, 37, 103, 137/109, 113, 120, 140, 155; 251/82, 251/142, 149, 149.8, 147, 148; D8/249, D8/382, 394-397, 359, 363; 165/154-155, 164, 181; 138/111-112, 138/114

CPC . F16L 33/23; F16L 33/28; F16L 33/00; F16L 33/01; F16L 41/00; F16L 41/06; F16L 55/18; F16L 17/00; F16L 23/00; F16L 21/02; F16L 21/06; F16L 9/18; F16L 9/20; F16L 39/005; F16L 21/005; F16L 37/144; F16L 37/08; F16L 37/0845; F16L

37/0841; F16L 37/02; E03C 1/26; E03C 1/28; E03C 1/262; E03C 1/122; E03C 1/292; F16J 15/22; F16J 1/005; F28D 7/103; F28D 7/106; F28F 1/24; F28F 1/32; B29C 33/123

See application file for complete search history.

(56) **References Cited**

U.S. PATENT DOCUMENTS

D291,481 S *	8/1987	Vassallo	D23/263
D291,482 S *	8/1987	Vassallo	D23/262
D427,668 S *	7/2000	Stout, Jr.	D23/262
D480,787 S *	10/2003	Wilk, Jr.	D23/263
D481,447 S *	10/2003	Dole	D23/263
D482,103 S *	11/2003	Snyder, Sr.	D23/263
D493,214 S *	7/2004	Snyder, Sr.	D23/262
D589,126 S *	3/2009	Concannon	D23/262
D603,941 S *	11/2009	Leelaprachakul	D23/266
D623,277 S *	9/2010	Guzzoni	D23/262
D676,940 S *	2/2013	Kluss	D23/262

(Continued)

Primary Examiner — Eric L Goodman

Assistant Examiner — Amy C Wierenga

(74) *Attorney, Agent, or Firm* — Jones Day

(57) **CLAIM**

The ornamental design for a clip pipe fitting, as shown and described.

DESCRIPTION

FIG. 1 is a front view of a clip pipe fitting in accordance with the present design.

FIG. 2 is a back view of the clip pipe fitting of FIG. 1.

FIG. 3 is a top view of the clip pipe fitting of FIG. 1.

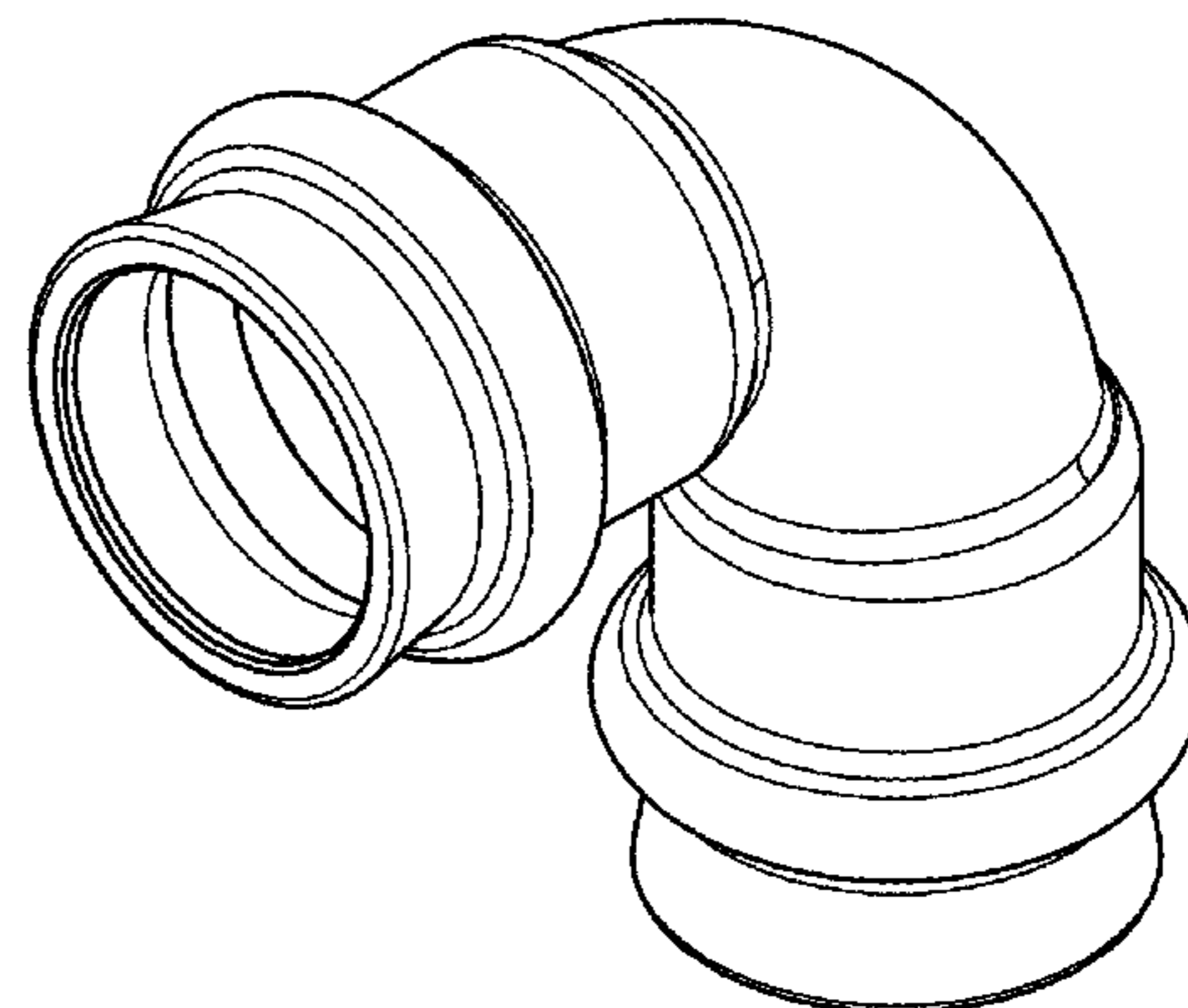
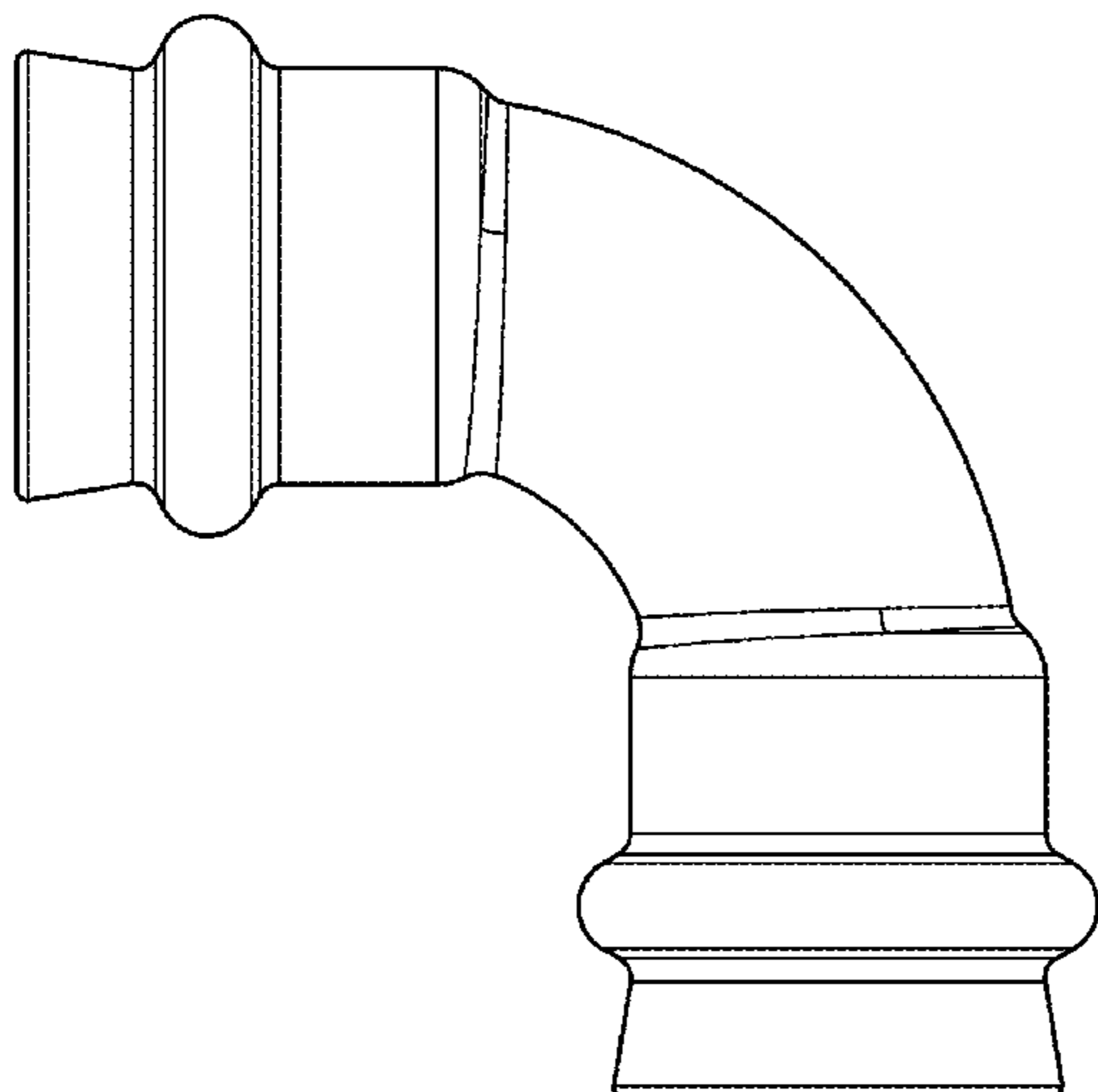
FIG. 4 is a bottom view of the clip pipe fitting of FIG. 1.

FIG. 5 is a left view of the clip pipe fitting of FIG. 1.

FIG. 6 is a right view of the clip pipe fitting of FIG. 1; and,

FIG. 7 is an isometric view of the clip pipe fitting of FIG. 1.

1 Claim, 7 Drawing Sheets



(56)

References Cited

U.S. PATENT DOCUMENTS

D676,941 S * 2/2013 Kluss D23/262
8,888,145 B1 * 11/2014 Crompton F16L 13/142
285/369
D720,051 S * 12/2014 Dole D23/266
D798,423 S * 9/2017 Aubin D23/266
2010/0244442 A1 * 9/2010 Jones F16L 37/0845
285/374
2011/0023987 A1 * 2/2011 Zucker et al. A61M 16/0875
138/120
2015/0292659 A1 * 10/2015 Mathews F16K 3/30
251/148
2015/0354737 A1 * 12/2015 Stout F16L 21/022
285/369

* cited by examiner

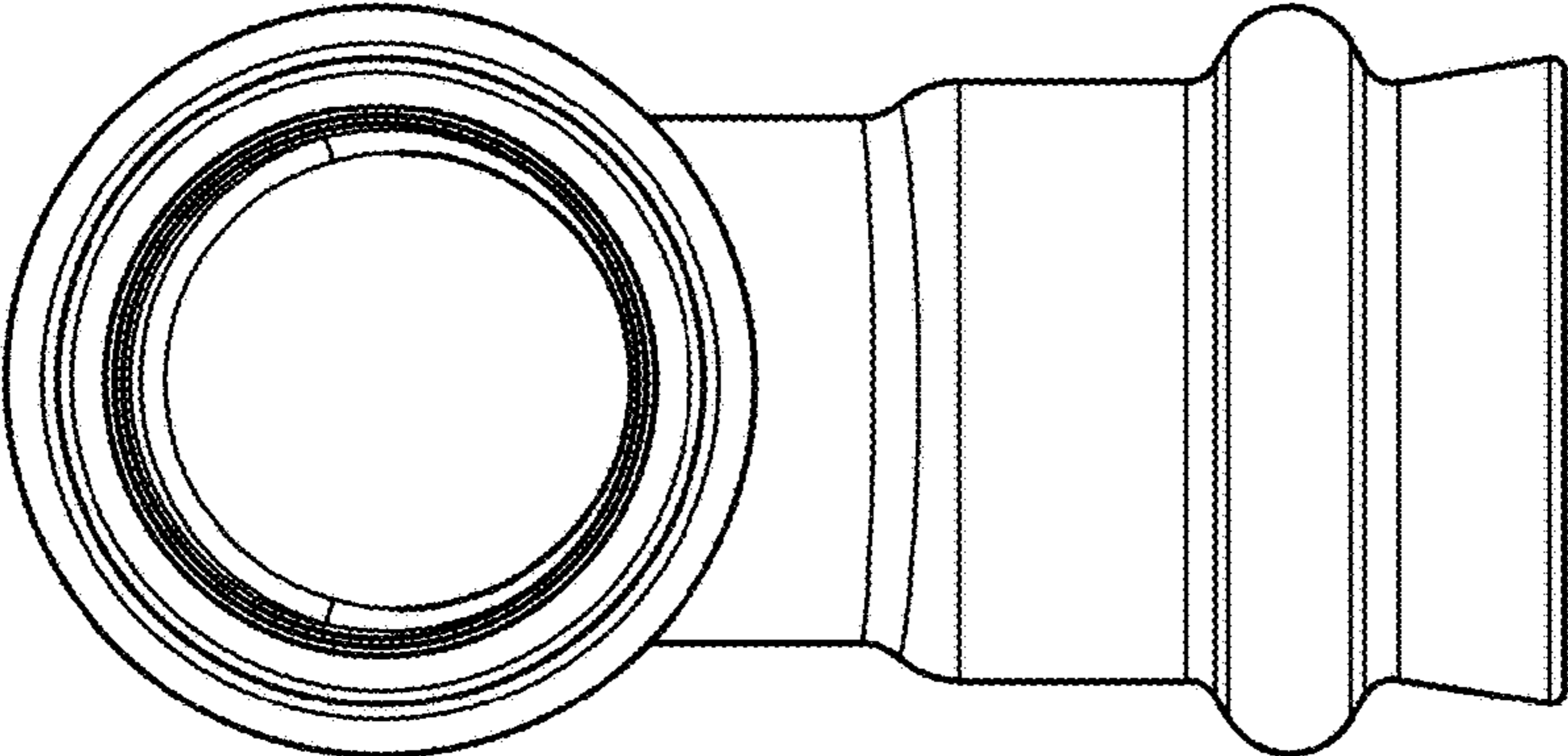


FIGURE 1

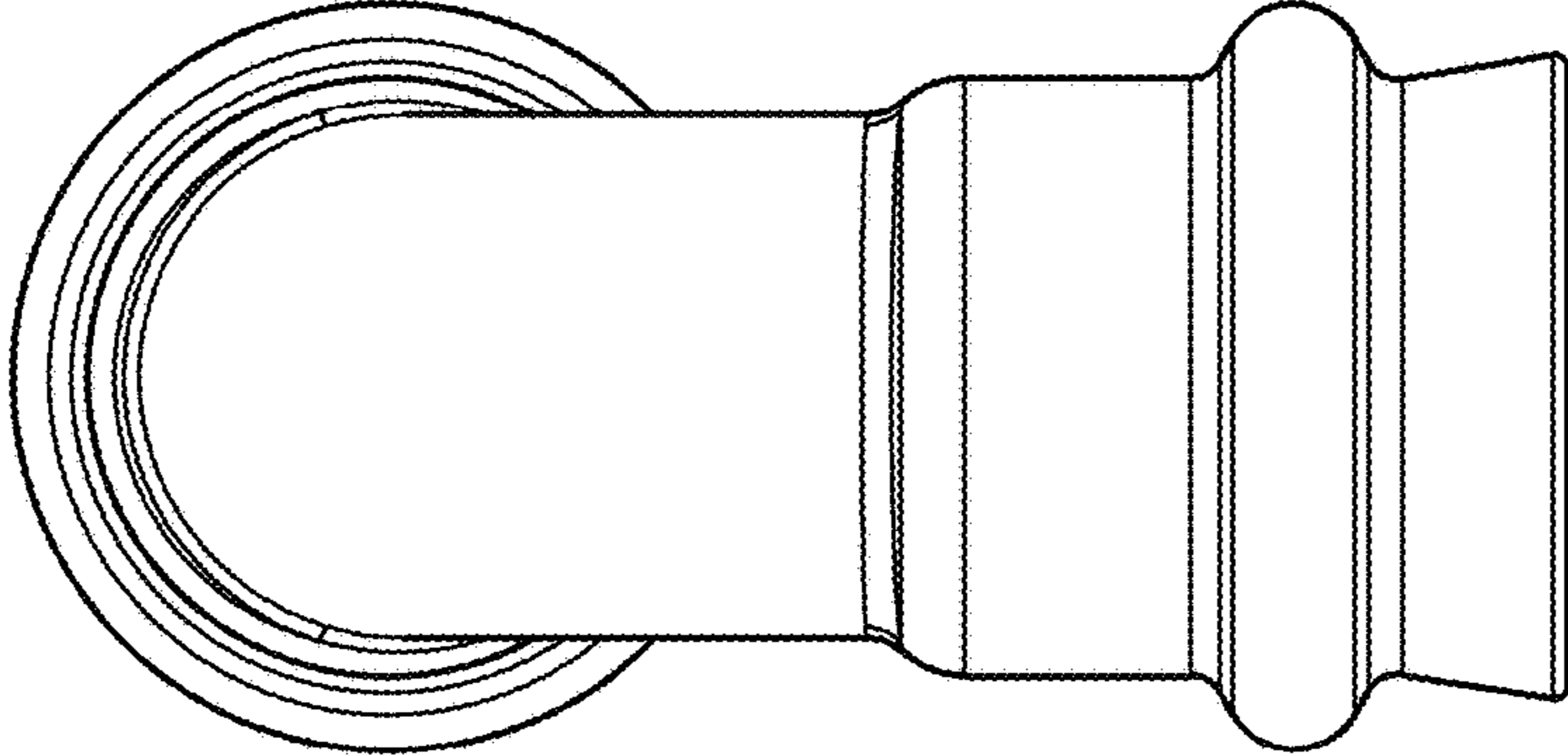


FIGURE 2

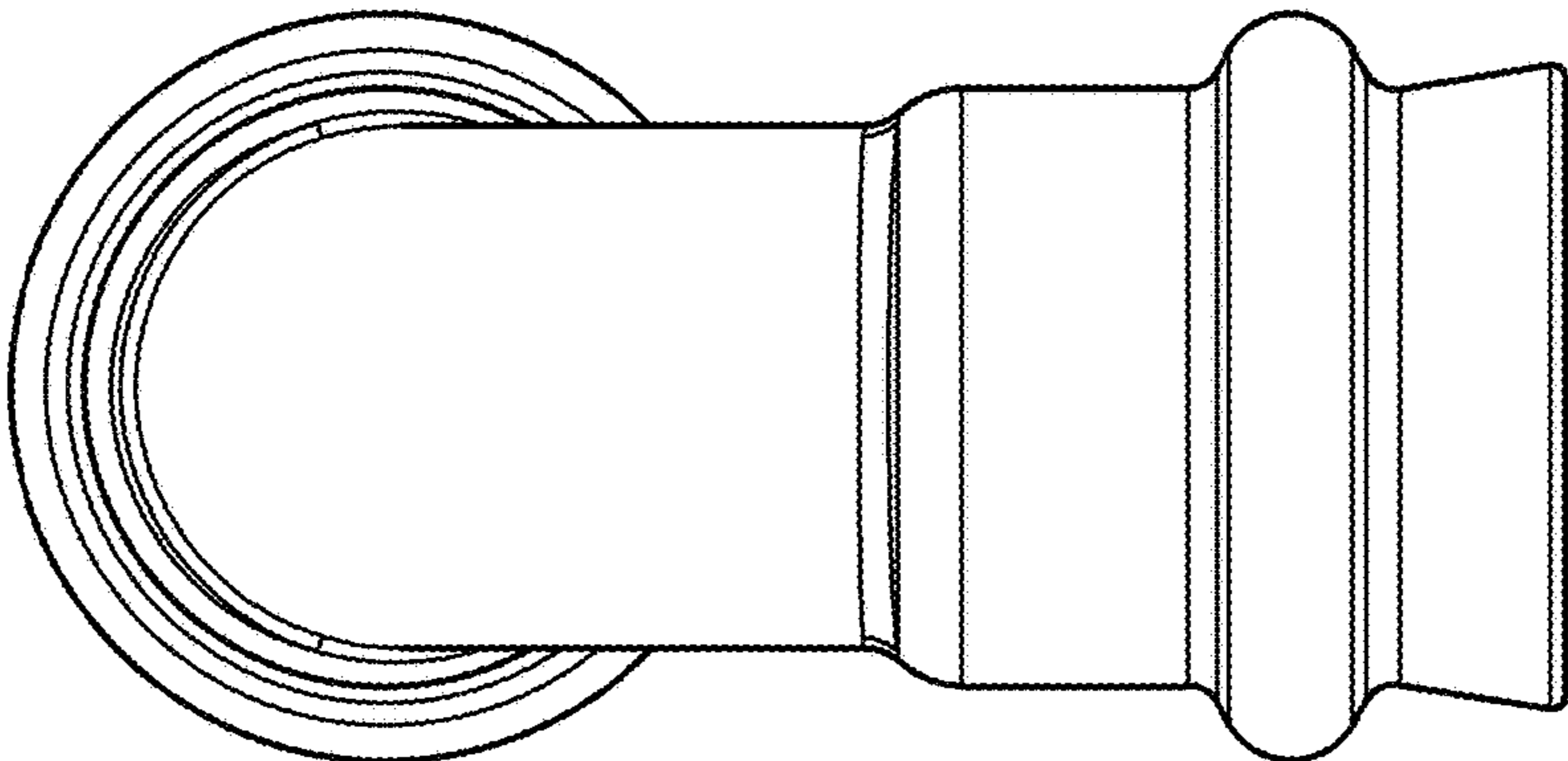


FIGURE 3

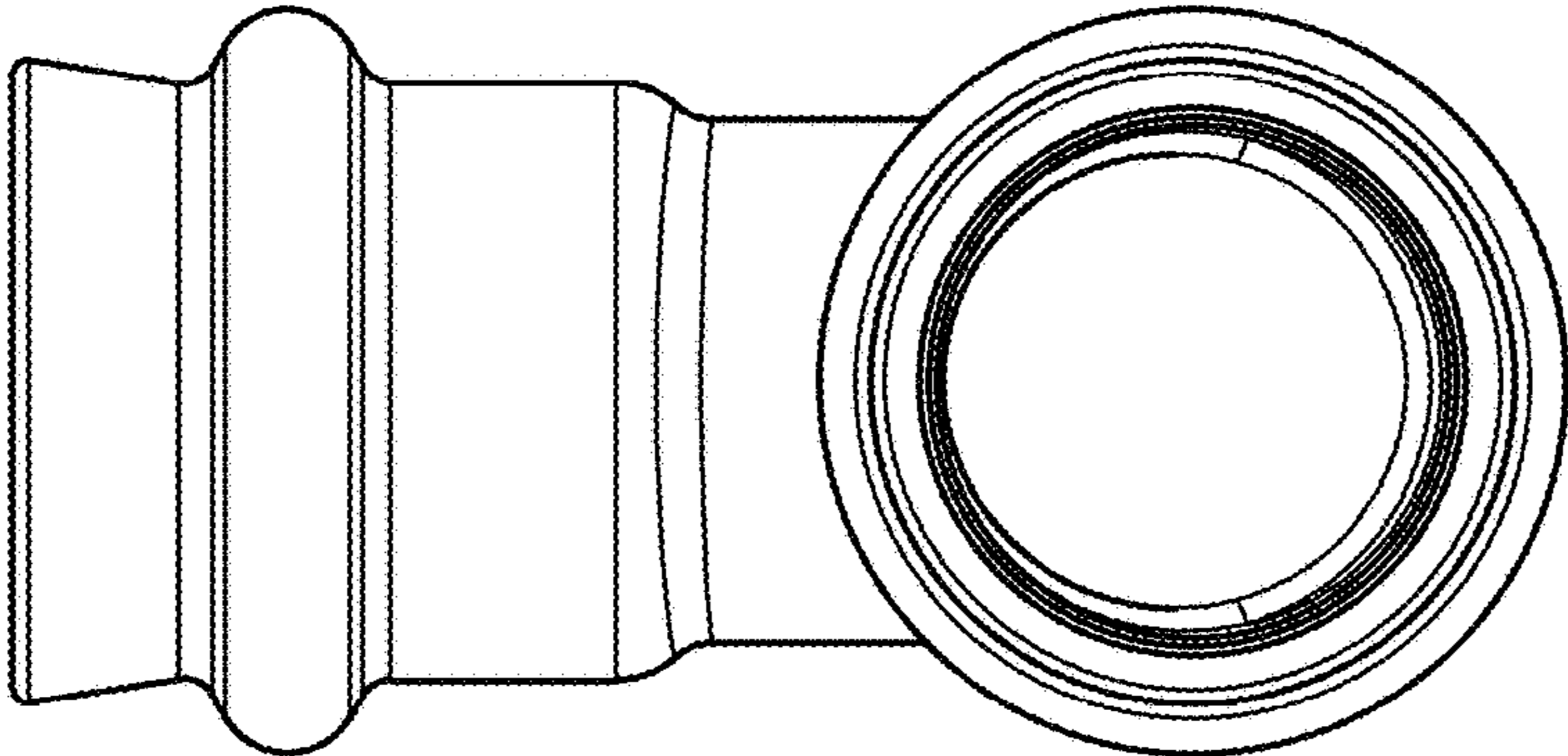


FIGURE 4

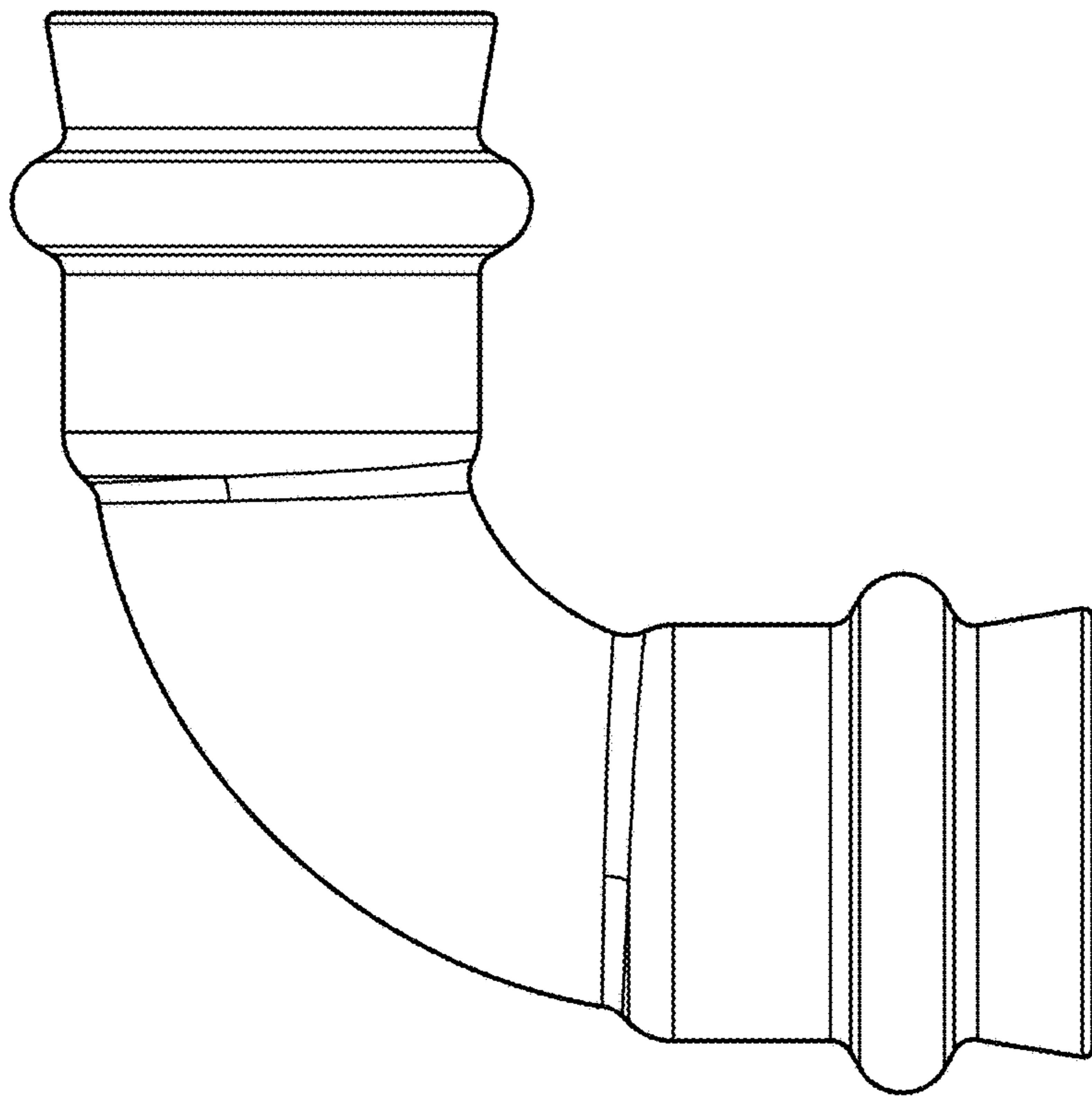


FIGURE 5

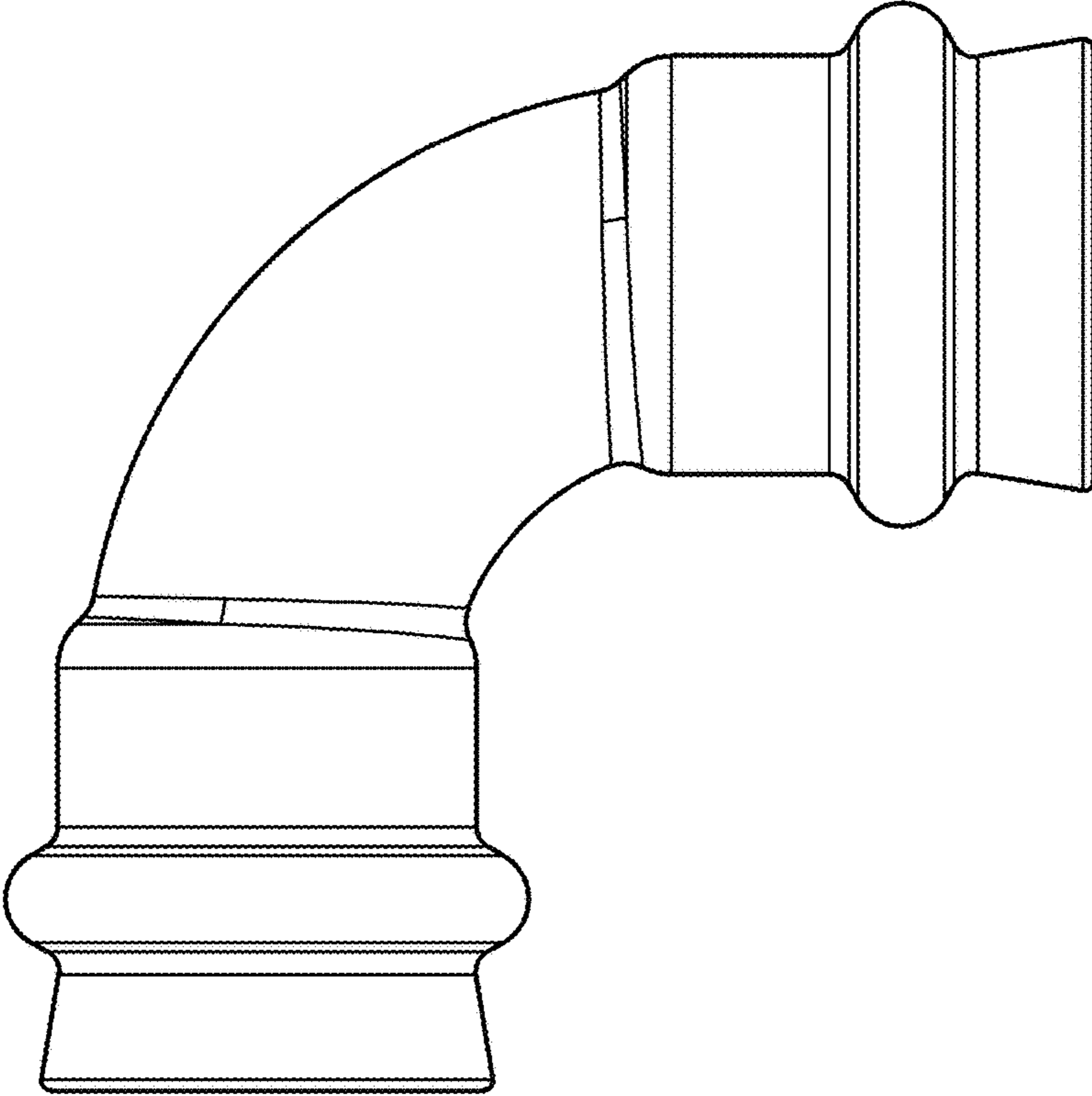


FIGURE 6

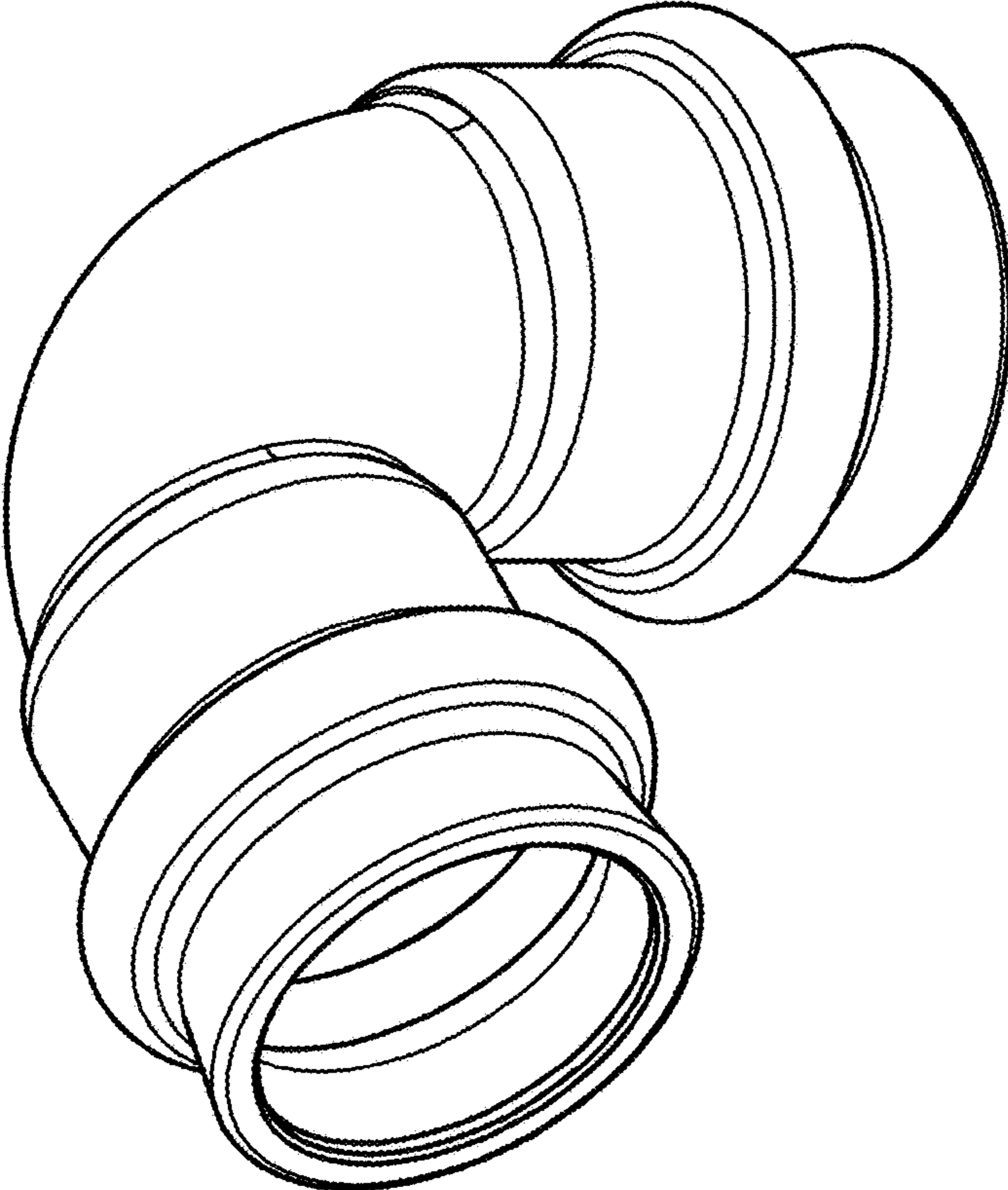


FIGURE 7