



US00D835243S

(12) **United States Design Patent**
Chiproot

(10) **Patent No.:** **US D835,243 S**

(45) **Date of Patent:** **** Dec. 4, 2018**

(54) **PIPE COUPLING WITH HANDLE**

(71) Applicant: **Avi Chiproot**, Kfar-Saba (IL)

(72) Inventor: **Avi Chiproot**, Kfar-Saba (IL)

(73) Assignee: **Eliezer Krausz Industrial Development Ltd.**, Tel Aviv (IL)

(**) Term: **15 Years**

(21) Appl. No.: **29/600,016**

(22) Filed: **Apr. 9, 2017**

(51) **LOC (11) Cl.** **23-01**

(52) **U.S. Cl.**
USPC **D23/262**

(58) **Field of Classification Search**
USPC D23/259-260, 262-266, 233, 245;
285/56, 189, 194, 286.1, 15, 180-181,
285/197, 205-206, 366, 368, 86, 89, 90,
285/92, 406, 410, 412, 415; D8/382,
D8/394-396; 403/290, 343, 344, 44, 46,
403/57, 300, 296
CPC F16L 5/027; F16L 5/10; F16L 23/0283;
F16L 55/00; F16L 21/02; F16L 21/06;
F16L 55/18; F16L 15/22; F16L 23/00;
F16L 21/022; E03D 11/00; F16J 15/22;
F16J 1/005; B65D 45/34

See application file for complete search history.

(56) **References Cited**

U.S. PATENT DOCUMENTS

D246,250 S *	11/1977	Baldwin	D23/262
5,484,171 A *	1/1996	Emmins	F16L 21/04 285/31
D574,472 S *	8/2008	Kanao	D23/262
D602,347 S *	10/2009	Allen	D8/382
D653,310 S *	1/2012	Texier	D23/262
D724,185 S *	3/2015	Chiproot	D23/262

9,212,768 B2 *	12/2015	Chiproot	F16L 21/065
9,816,649 B2 *	11/2017	Chiproot	F16L 25/065
2007/0273151 A1 *	11/2007	Krausz	F16L 55/172 285/406
2010/0314864 A1 *	12/2010	Lemke	F16L 21/065 285/148.28
2011/0031737 A1 *	2/2011	Krausz	F16L 21/022 285/15
2012/0205909 A1 *	8/2012	Bird	F16L 21/022 285/337
2012/0299293 A1 *	11/2012	Chiproot	F16L 21/022 285/337
2012/0299294 A1 *	11/2012	Chiproot	F16L 21/022 285/337
2013/0154259 A1 *	6/2013	Chiproot	F16L 21/022 285/337
2015/0219256 A1 *	8/2015	Chiproot	F16L 21/065 285/337
2017/0051854 A1 *	2/2017	Bird	F16L 21/04

* cited by examiner

Primary Examiner — Eric L Goodman
Assistant Examiner — Amy C Wierenga

(74) *Attorney, Agent, or Firm* — Dekel Patent Ltd; David Klein

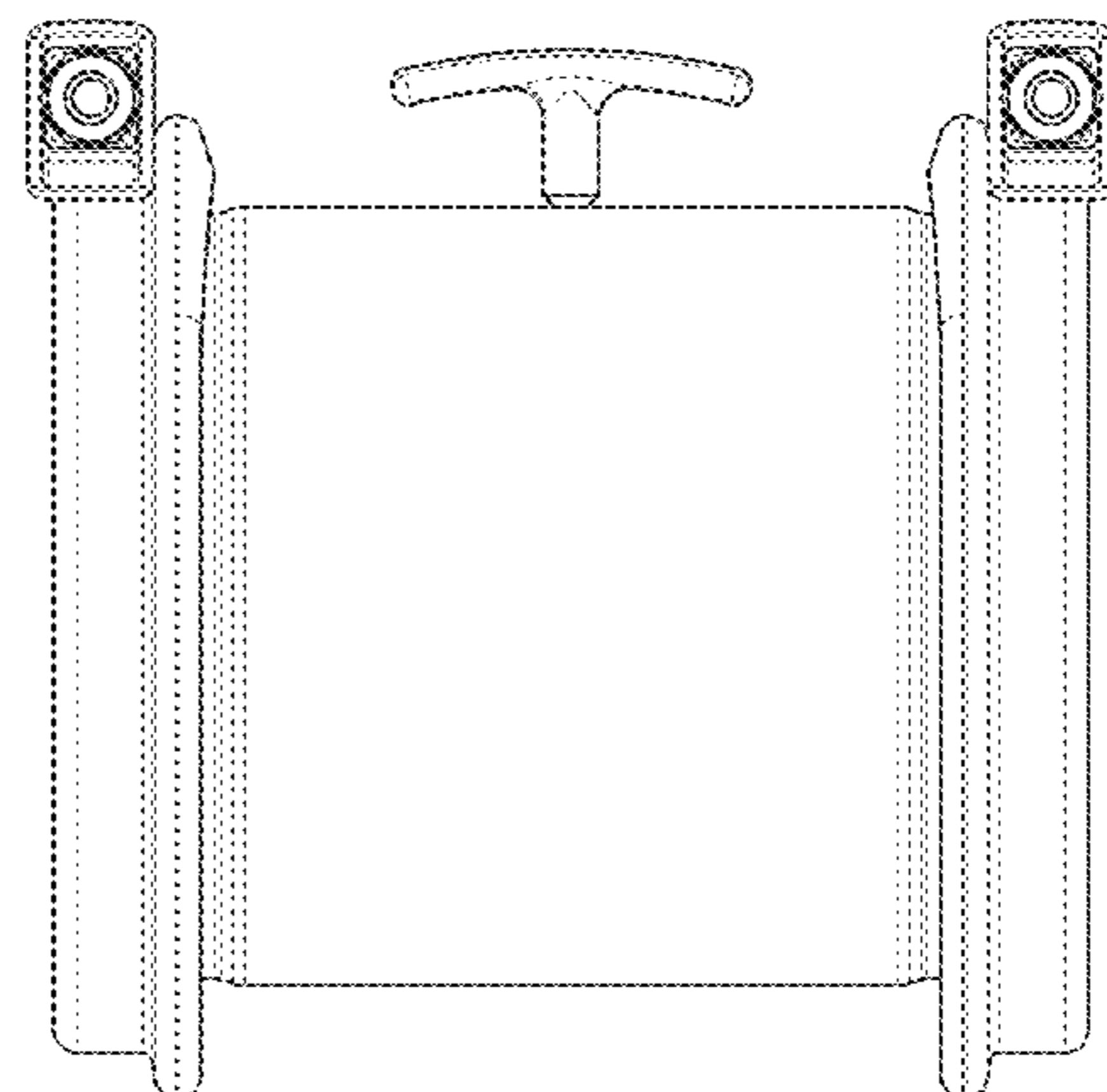
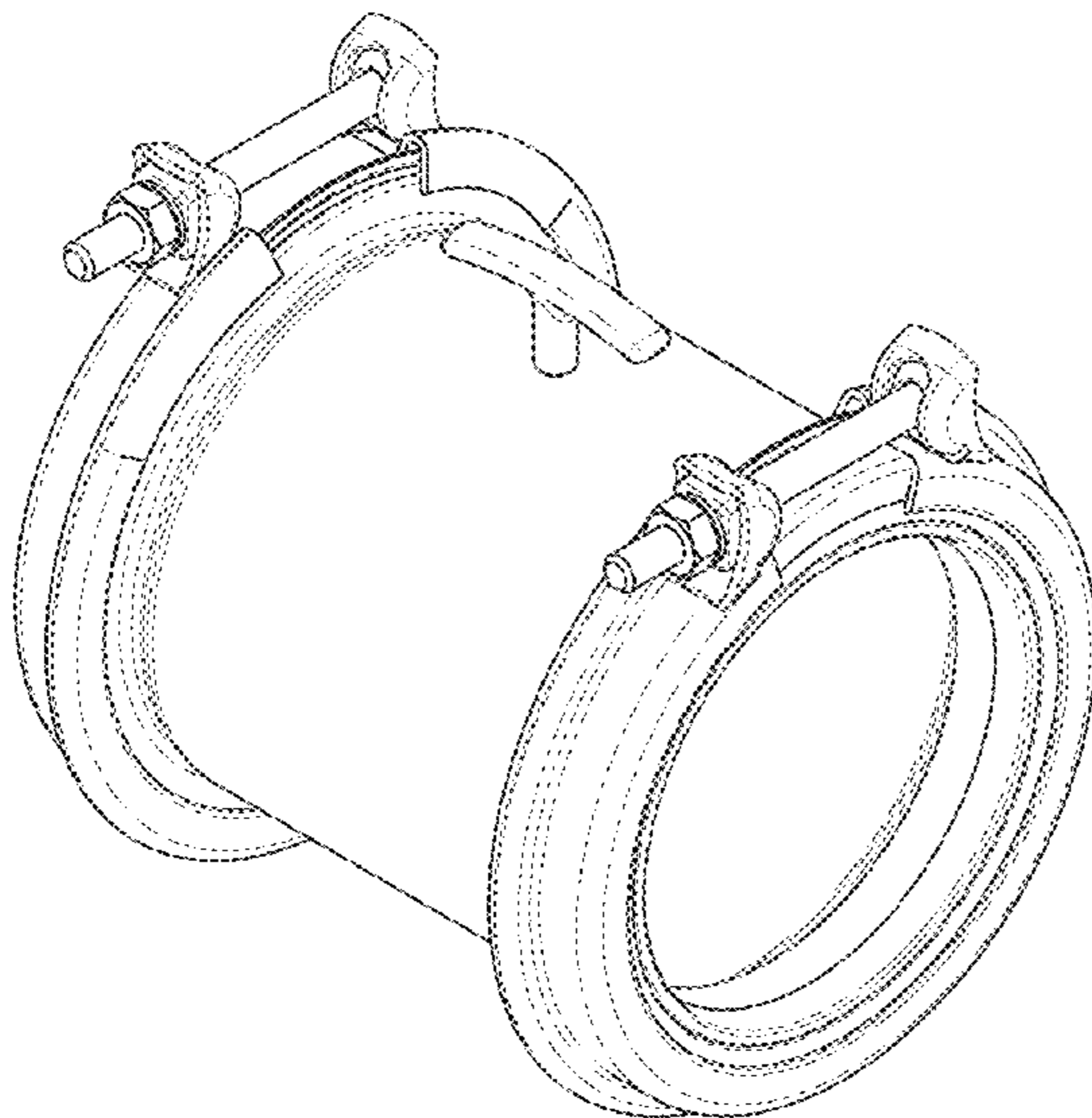
(57) **CLAIM**

The ornamental design for a pipe coupling with a handle, as shown and described.

DESCRIPTION

FIG. 1 is a front perspective view of a pipe coupling with a handle, showing my new design;
FIG. 2 is a front plan view thereof;
FIG. 3 is a side view thereof, as viewed from the left side of FIG. 2; and,
FIG. 4 is a top view thereof.
The nature and intended use of the article in which the design is embodied is that of a coupling for sealing or repairing pipes and the like.

1 Claim, 4 Drawing Sheets



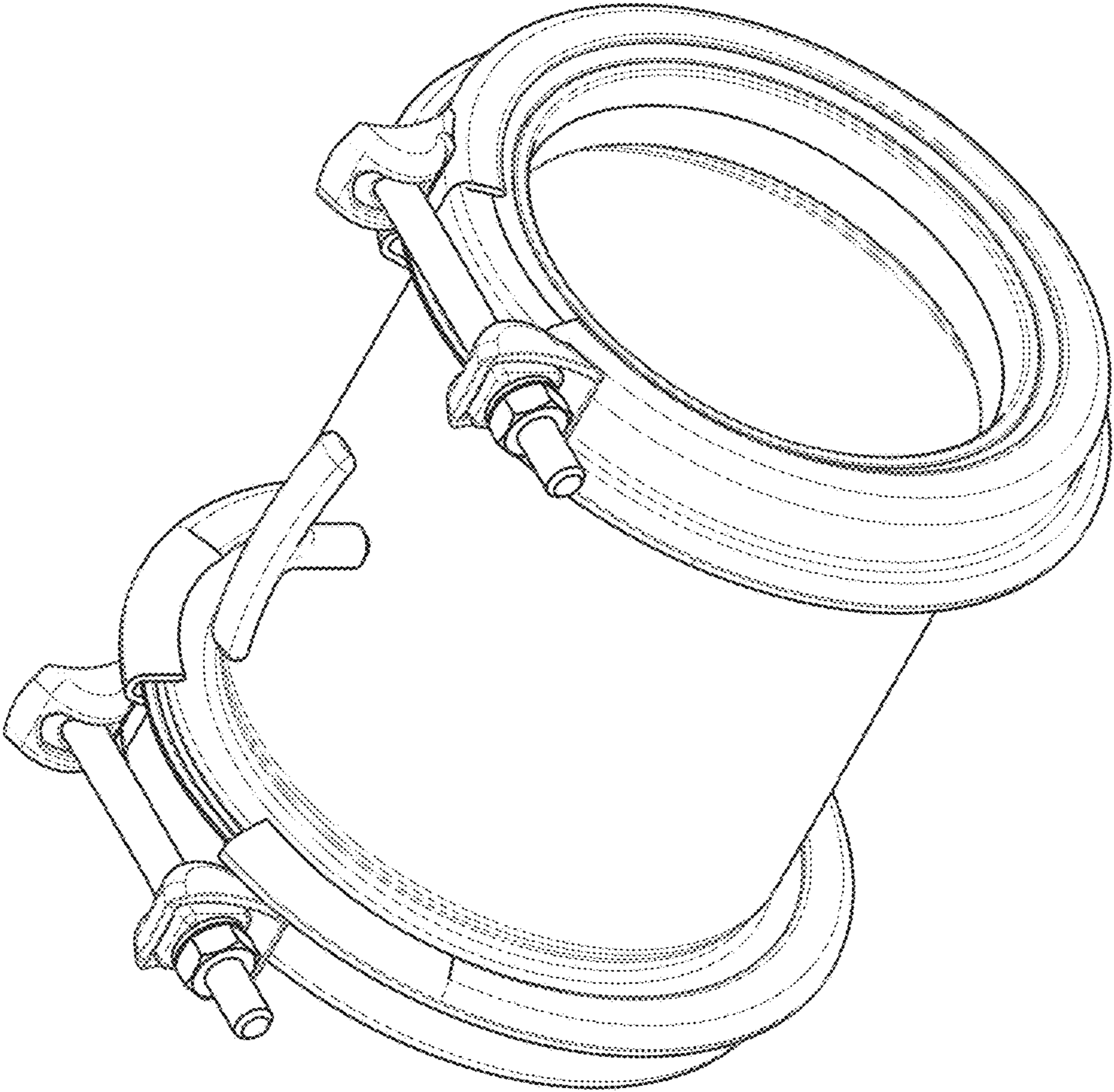


FIG. 1

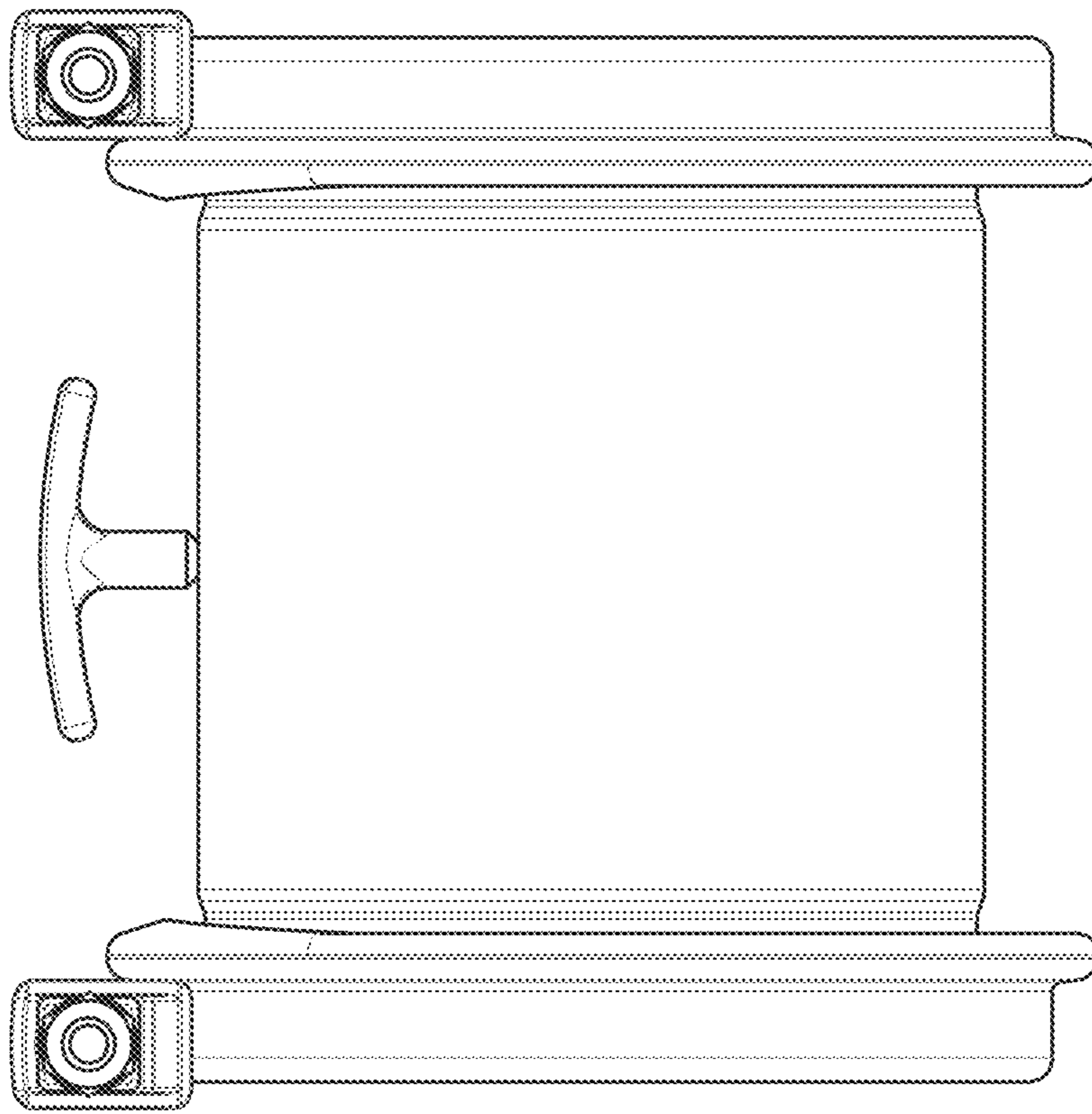


FIG. 2

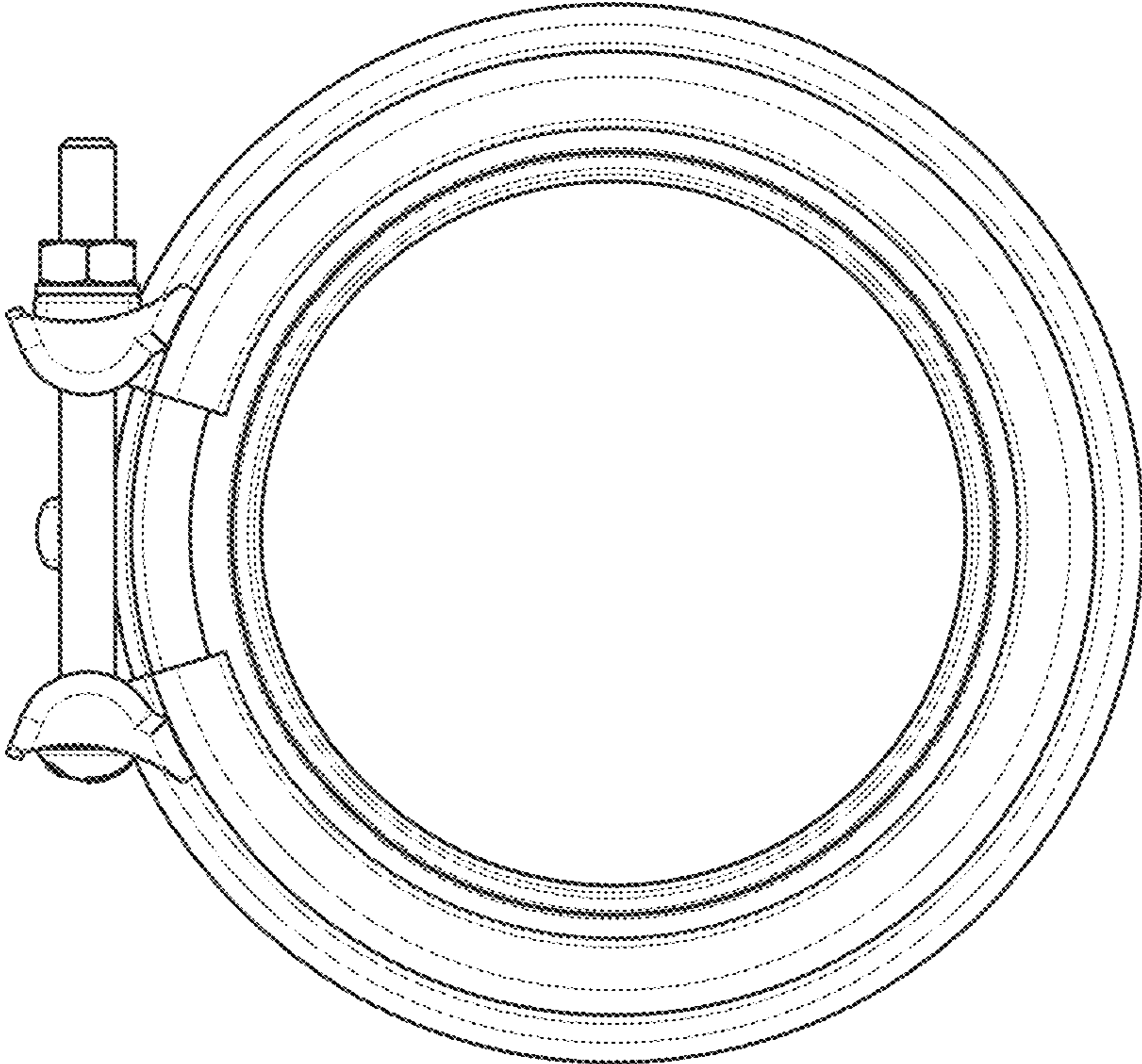


FIG. 3

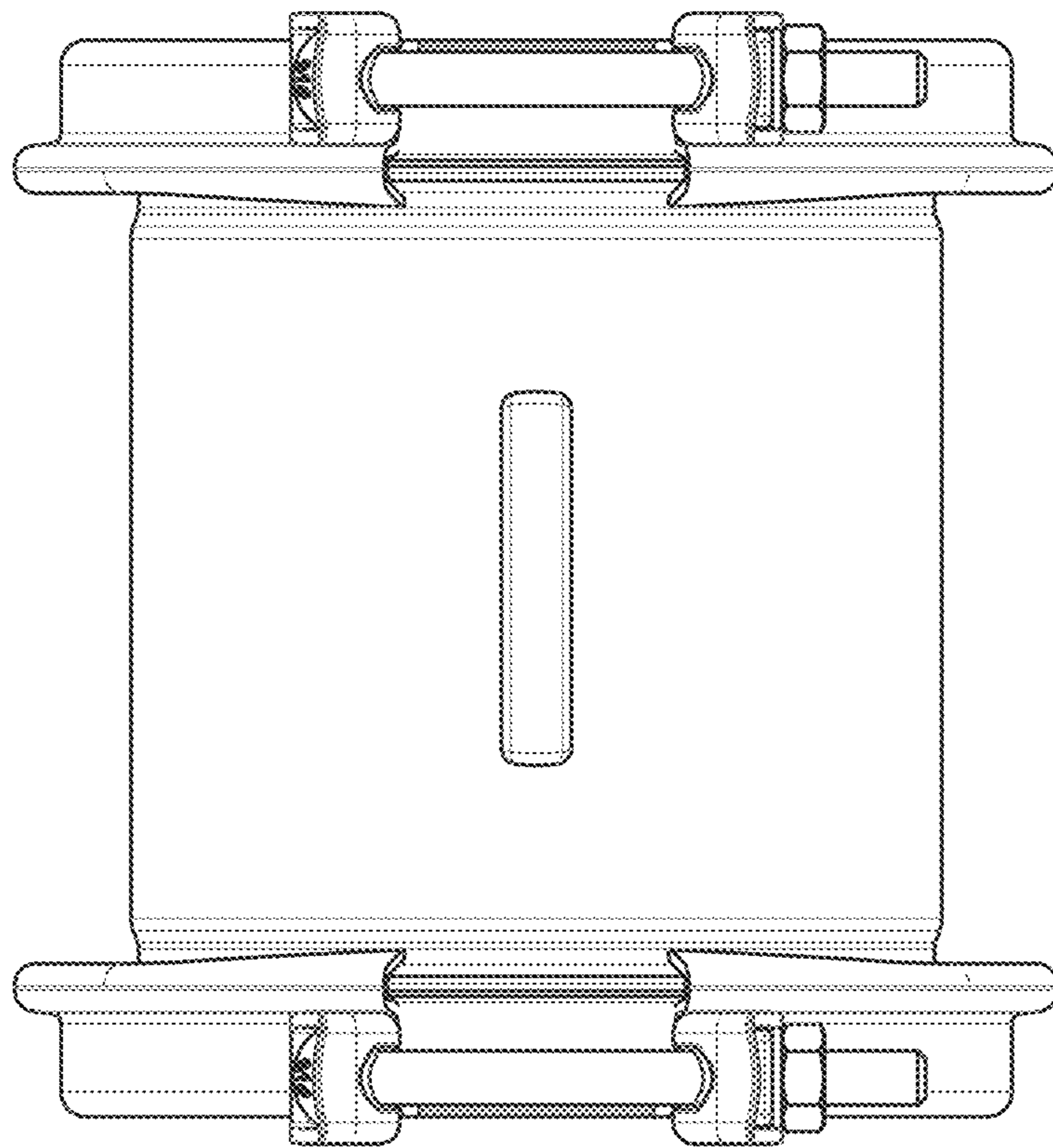


FIG. 4