



US00D835242S

(12) **United States Design Patent** (10) **Patent No.:** **US D835,242 S**  
**McLennan** (45) **Date of Patent:** **\*\* Dec. 4, 2018**

(54) **FLUSHOMETER COVER**  
(71) Applicant: **DELTA FAUCET COMPANY**,  
Indianapolis, IN (US)  
(72) Inventor: **Paul McLennan**, London (CA)  
(73) Assignee: **DELTA FAUCET COMPANY**,  
Indianapolis, IN (US)  
(\*\*) Term: **15 Years**  
(21) Appl. No.: **29/579,799**  
(22) Filed: **Oct. 4, 2016**  
(51) **LOC (11) Cl.** ..... **23-01**  
(52) **U.S. Cl.**  
USPC ..... **D23/260; D23/249**  
(58) **Field of Classification Search**  
USPC ..... D23/260, 259, 233-237, 249, 258;  
137/343, 347, 377, 381, 382; 251/129.04,  
251/26, 40  
CPC ..... F16K 27/12; F16K 35/10; F16K 31/404;  
F16K 31/3855  
See application file for complete search history.

D599,435 S \* 9/2009 Parsons ..... D23/233  
D599,437 S \* 9/2009 Parsons ..... D23/233  
D612,014 S \* 3/2010 Parsons ..... D23/233  
D620,554 S \* 7/2010 Parsons ..... D23/233  
D621,909 S \* 8/2010 Parsons ..... D23/233  
D751,182 S \* 3/2016 Huang ..... D23/233  
2011/0095214 A1\* 4/2011 Wang ..... F16K 31/088  
251/129.01

\* cited by examiner

*Primary Examiner* — Eric L Goodman  
*Assistant Examiner* — Amy C Wierenga  
(74) *Attorney, Agent, or Firm* — Edgar A. Zarins; Nirav D. Parikh

(57) **CLAIM**

The ornamental design for a flushometer cover, as shown and described.

**DESCRIPTION**

FIG. 1 is a front elevational view of a flushometer cover showing my new design;  
FIG. 2 is a top plan view thereof;  
FIG. 3 is a rear view thereof;  
FIG. 4 is a bottom view thereof;  
FIG. 5 is a right side view thereof; and,  
FIG. 6 is a left side view thereof.  
The broken lines shown in FIG. 1 illustrate environmental subject matter only that form no part of the claim. The broken lines shown in FIG. 4 depict portions of the flushometer cover that form no part of the claim.

**1 Claim, 3 Drawing Sheets**

(56) **References Cited**  
U.S. PATENT DOCUMENTS  
D354,113 S \* 1/1995 Nortier ..... D23/233  
D355,478 S \* 2/1995 Allen ..... D23/249  
D396,090 S \* 7/1998 Marcichow ..... D23/233  
D470,921 S \* 2/2003 Bush ..... D23/249  
7,188,822 B2 \* 3/2007 Marcichow ..... E03D 3/02  
251/129.01  
D598,974 S \* 8/2009 Parsons ..... D23/233

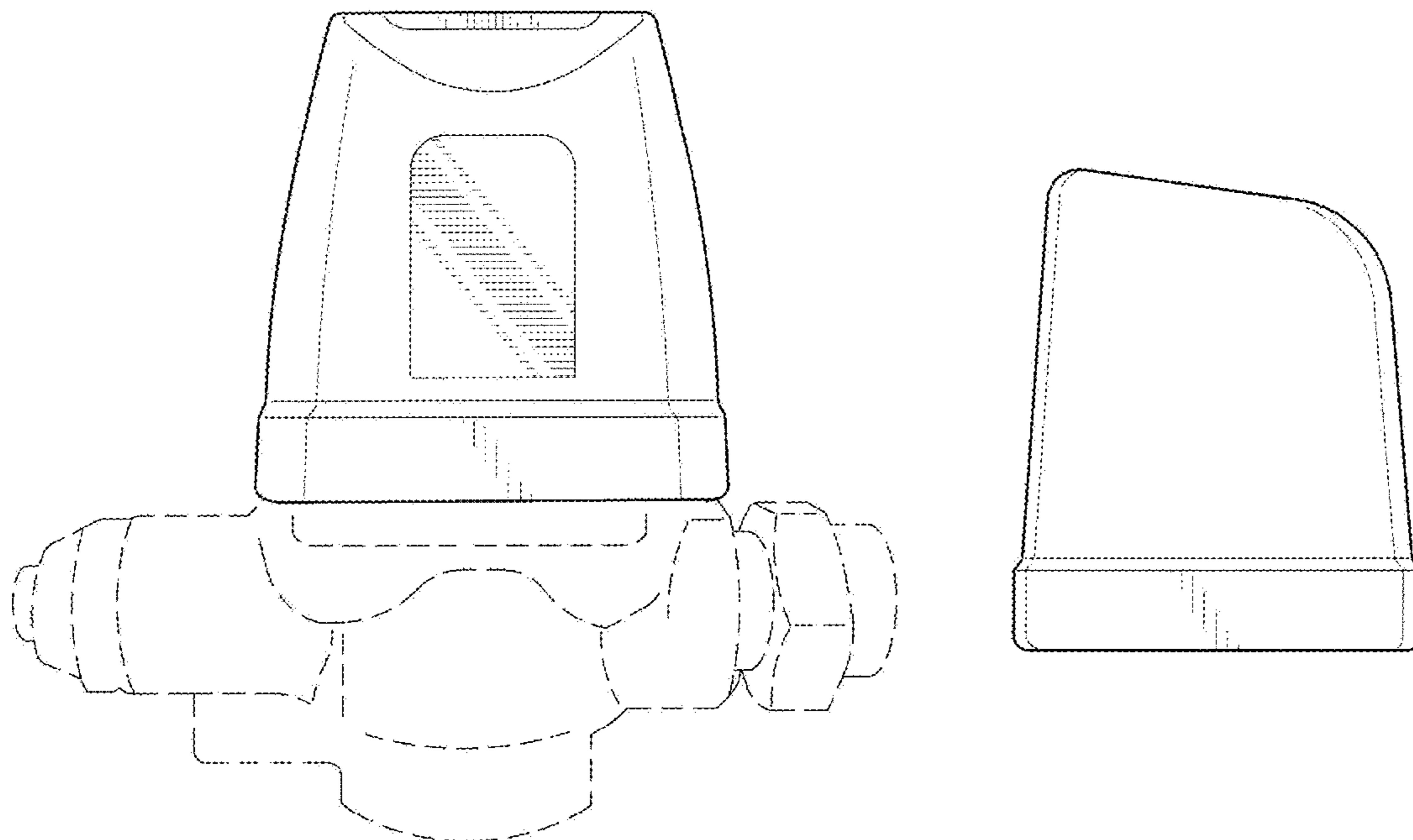


Fig-1

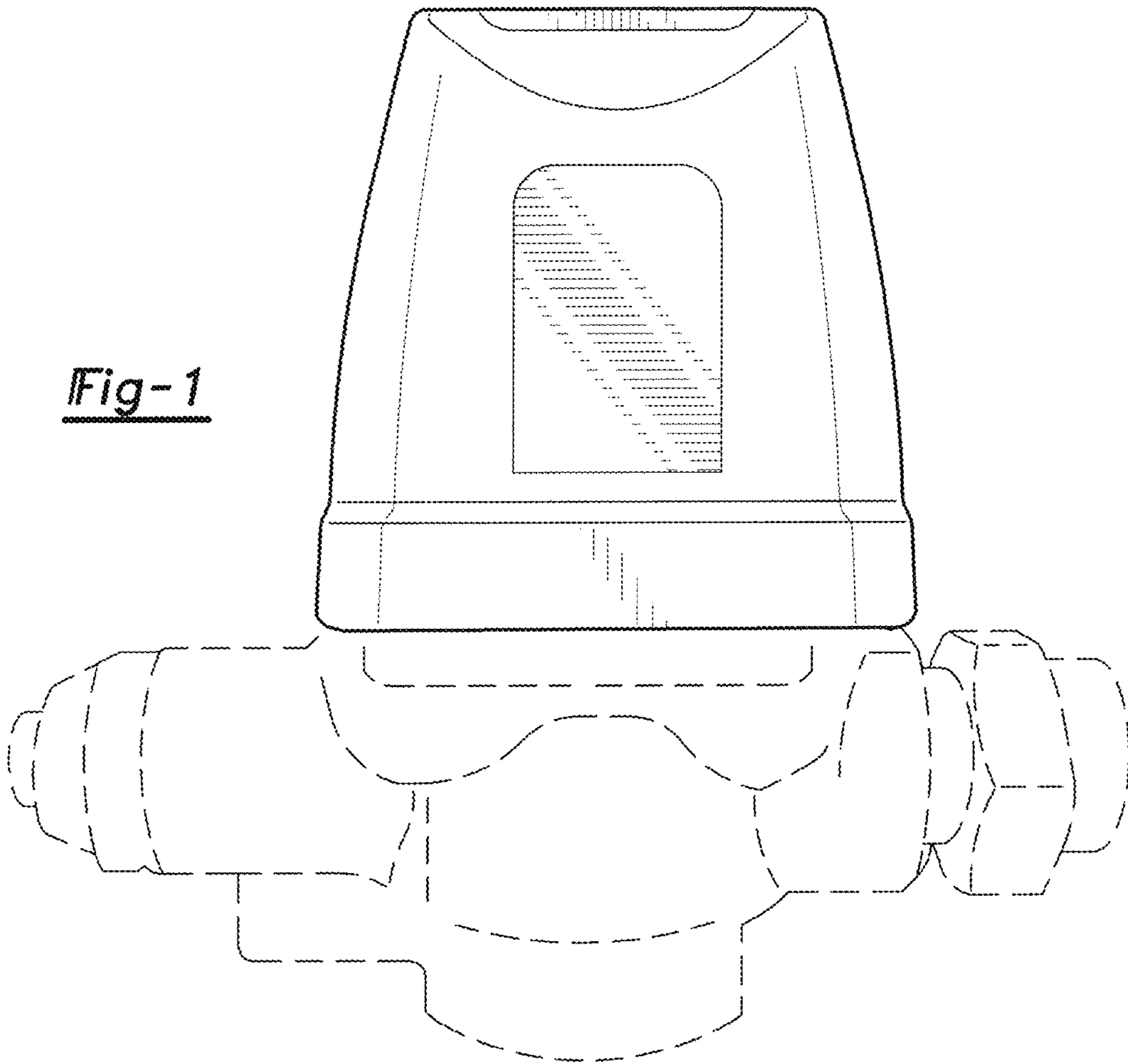
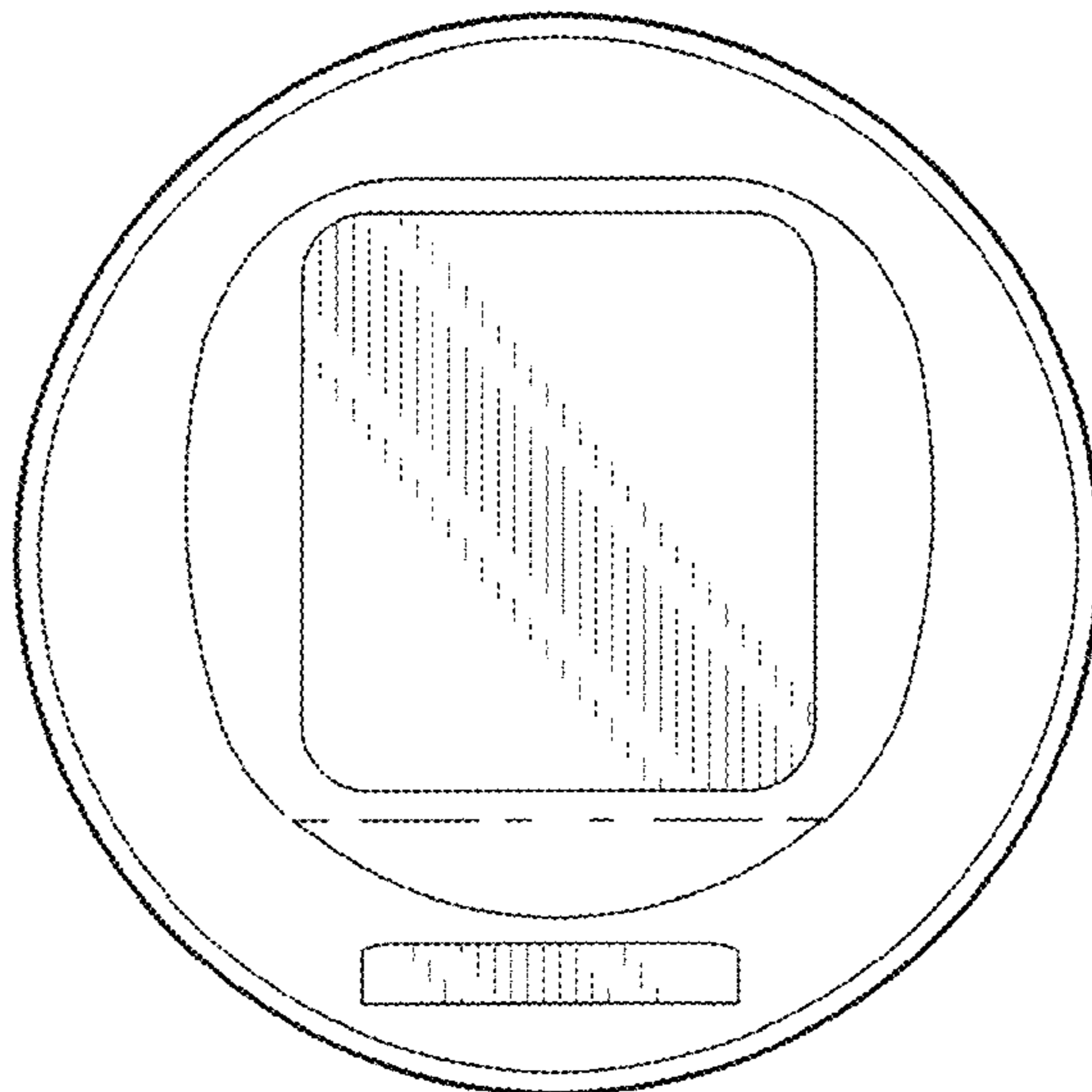


Fig-2



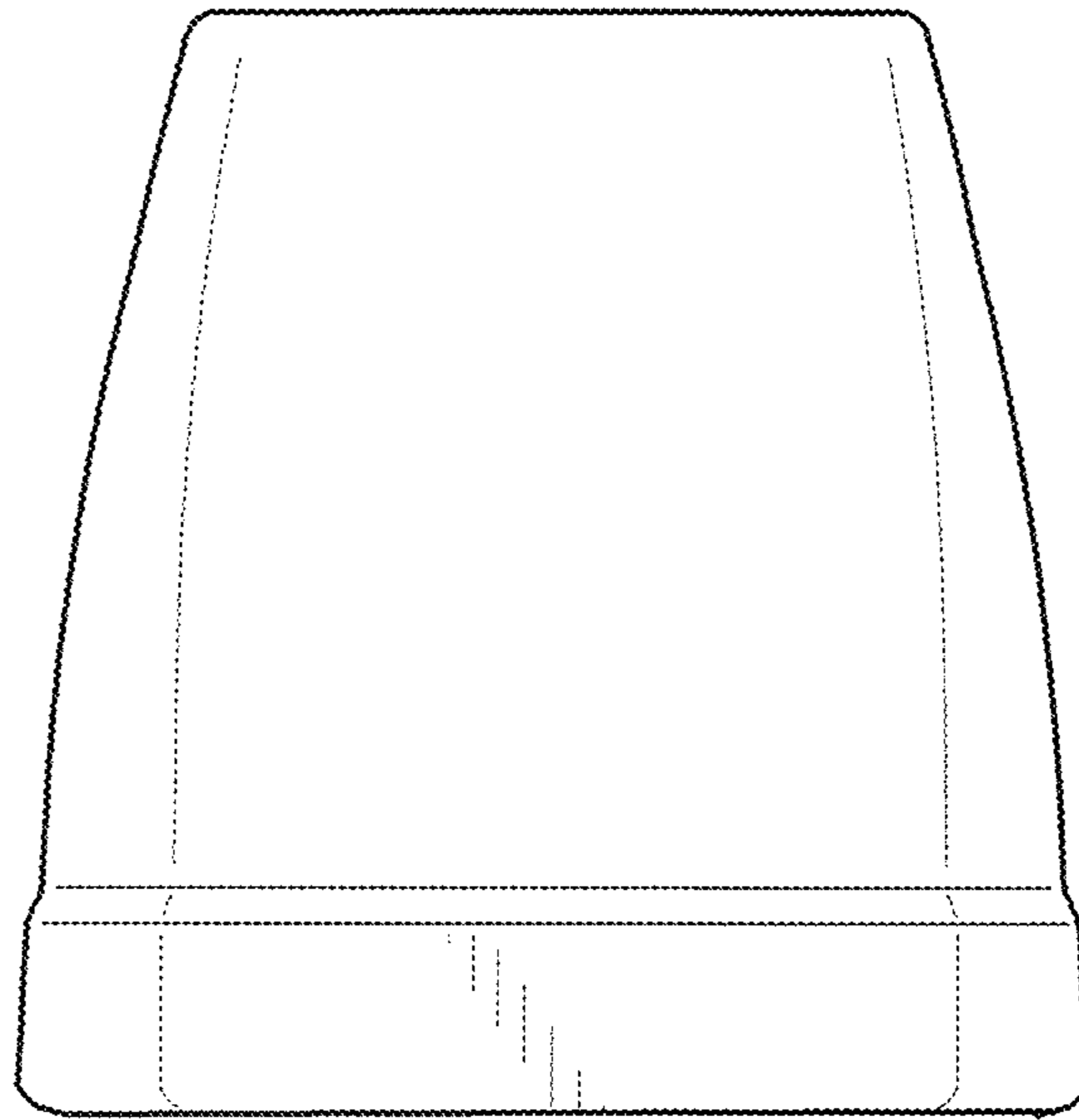


Fig-3

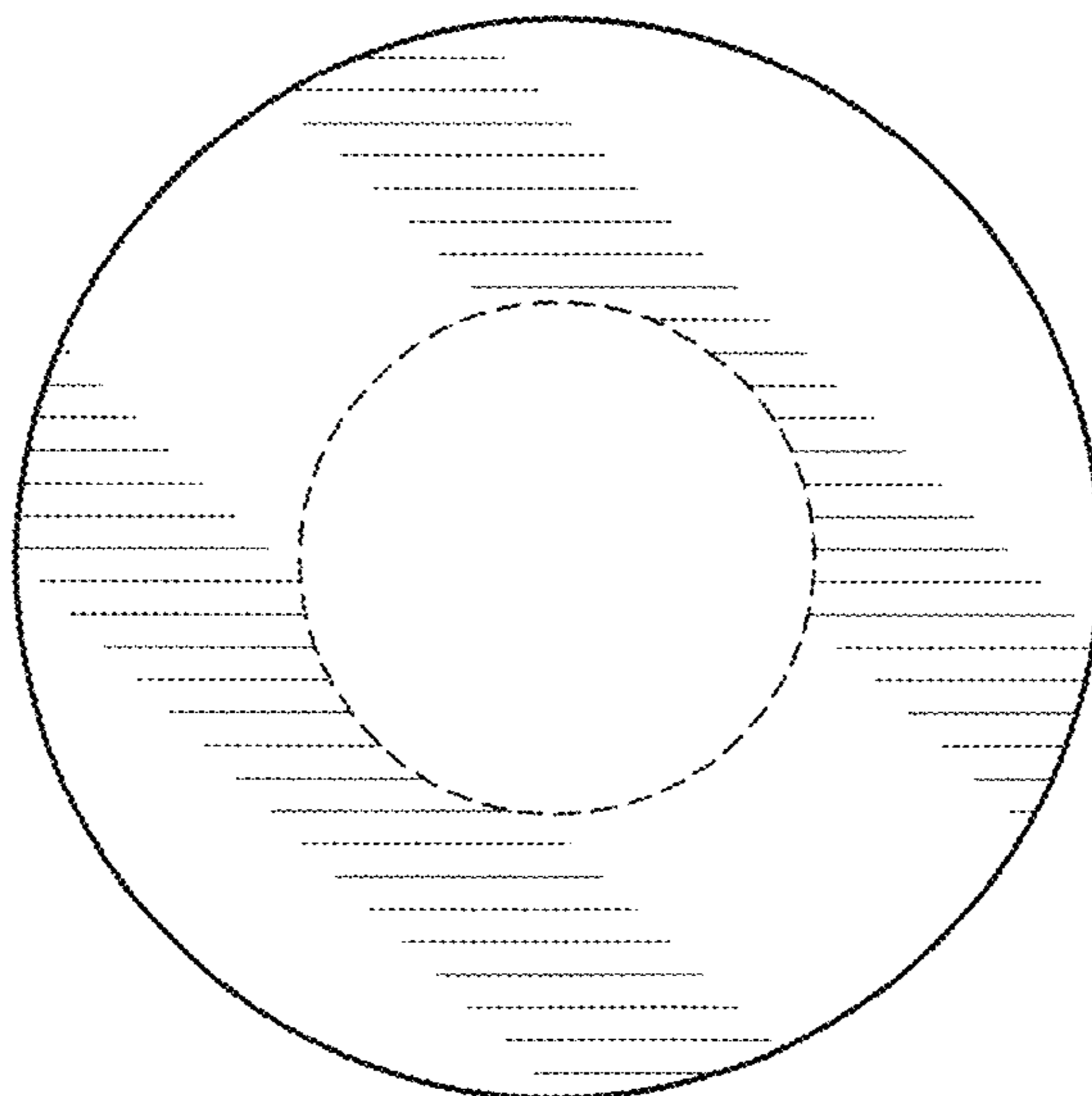


Fig-4

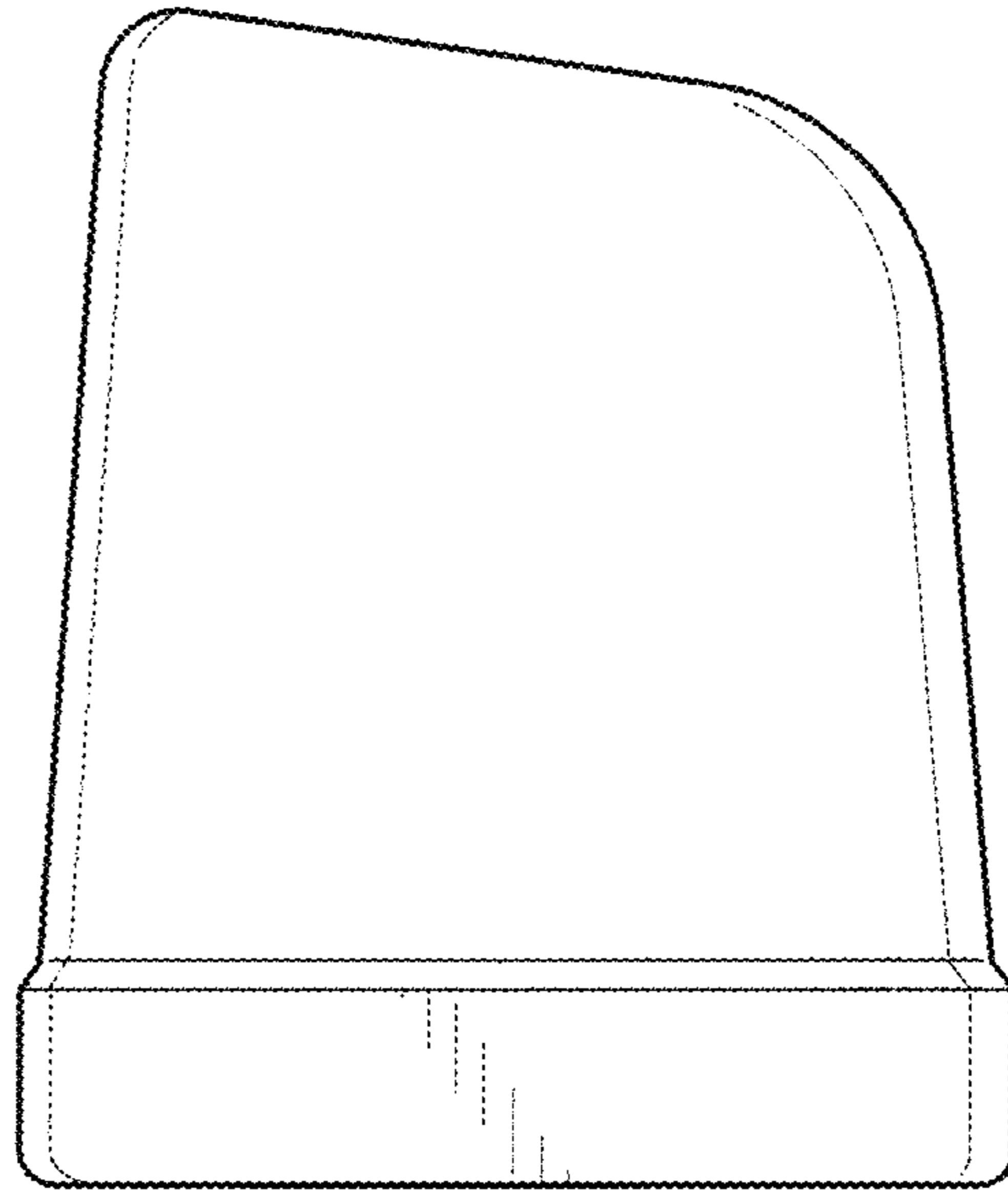


Fig-5

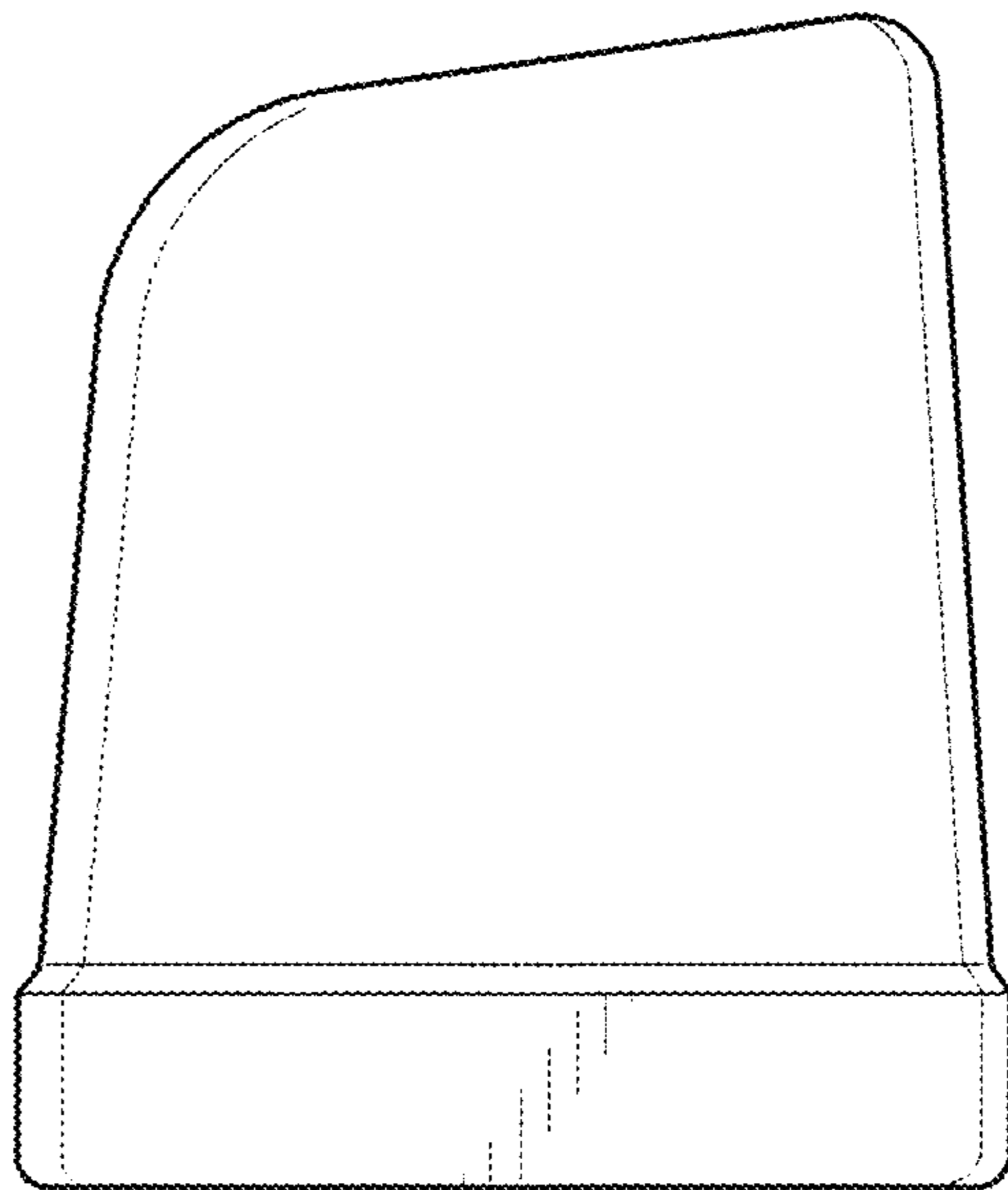


Fig-6

UNITED STATES PATENT AND TRADEMARK OFFICE  
**CERTIFICATE OF CORRECTION**

PATENT NO. : D835,242 S  
APPLICATION NO. : 29/579799  
DATED : December 4, 2018  
INVENTOR(S) : Paul McLennan

Page 1 of 1

It is certified that error appears in the above-identified patent and that said Letters Patent is hereby corrected as shown below:

On the Title Page

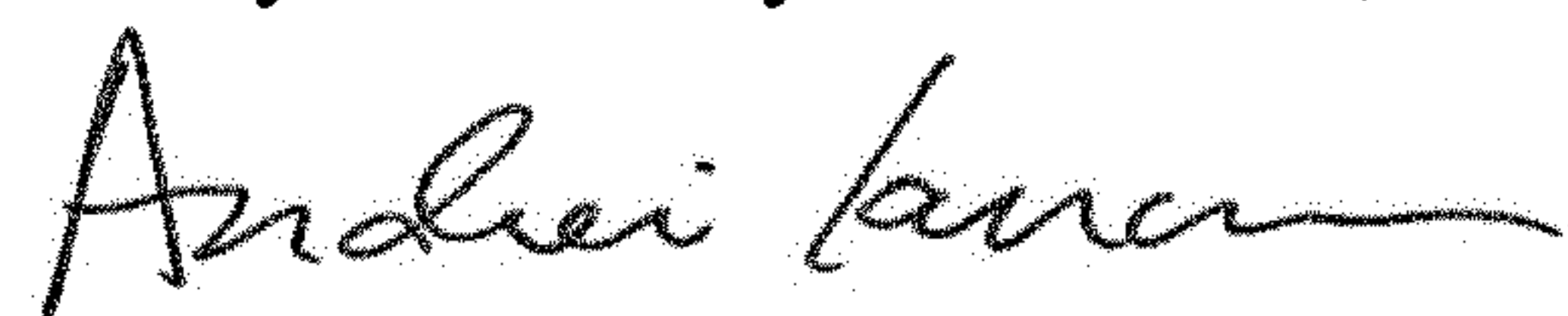
Column 1, Item (73), please delete:

“Assignee: DELTA FAUCET COMPANY, Indianapolis, IN”

And insert:

--Assignee: MASCO CANADA LIMITED, St. Thomas, CANADA--

Signed and Sealed this  
Twenty-ninth Day of October, 2019



Andrei Iancu  
*Director of the United States Patent and Trademark Office*