



US00D835241S

(12) **United States Design Patent** (10) **Patent No.:** **US D835,241 S**
Dietzen et al. (45) **Date of Patent:** **** Dec. 4, 2018**

(54) **FLOW METER HOUSING**

(71) Applicant: **ENCO ELECTRONIC SYSTEMS, LLC**, Destin, FL (US)

(72) Inventors: **Gary H. Dietzen**, Destin, FL (US);
Ronald R. Murphy, Dothan, AL (US);
Terry L. Beasley, Dothan, AL (US);
Daniel L. Dietzen, Miramar Beach, FL (US)

(73) Assignee: **ENCO ELECTRONIC SYSTEMS, LLC**, Destin, FL (US)

4,253,341 A 3/1981 Ikeda et al.
4,348,730 A 9/1982 Emerson et al.
4,629,404 A 12/1986 Raymond
4,705,060 A 11/1987 Goulbourne
4,804,957 A 2/1989 Selph et al.
4,938,053 A 7/1990 Jepson et al.
5,252,967 A 10/1993 Brennan et al.
D348,018 S * 6/1994 Poleshuk D10/96
D349,661 S * 8/1994 DeJarlais D10/99
5,434,911 A 7/1995 Gray et al.
5,775,372 A 7/1998 Houlihan
5,829,470 A 11/1998 Yowell et al.
5,946,641 A 8/1999 Morys

(Continued)

(**) Term: **15 Years**

(21) Appl. No.: **29/572,393**

(22) Filed: **Jul. 27, 2016**

(51) **LOC (11) Cl.** **23-01**

(52) **U.S. Cl.**
USPC **D23/259**; D23/233

(58) **Field of Classification Search**
USPC D23/259, 262–265, 233–237, 268;
285/24, 27, 31, 212.1, 123.3, 148.19,
285/148.22, 347, 199; 137/37, 103, 109,
137/113, 120, 140, 155, 294, 299, 300;
251/82, 142, 149, 149.8, 147, 148, 149.9;
D10/96, 99; 73/861.78, 273
CPC . F16L 33/23; F16L 33/28; F16L 33/00; F16L
33/01; F16L 41/00; F16L 41/06; F16L
37/252; F16L 41/007; F16L 55/07; F16L
43/008; E03C 1/26; E03C 1/28; E03C
1/262; E03C 1/122; E03C 1/292; B01D
35/04; B01D 36/006; B01D 29/13; B01D
29/19; G01F 3/12; G01F 3/075
See application file for complete search history.

(56) **References Cited**

U.S. PATENT DOCUMENTS

D115,780 S * 7/1939 Carnes D23/235
D247,480 S * 3/1978 Gilson D10/46

FOREIGN PATENT DOCUMENTS

CN 202734891 2/2013
FR 2922015 4/2009

(Continued)

Primary Examiner — Eric L Goodman
Assistant Examiner — Amy C Wierenga
(74) *Attorney, Agent, or Firm* — Garvey, Smith &
Nehrbass, Patent Attorneys, L.L.C.; Charles C. Garvey,
Jr.; Vanessa M. D'Souza

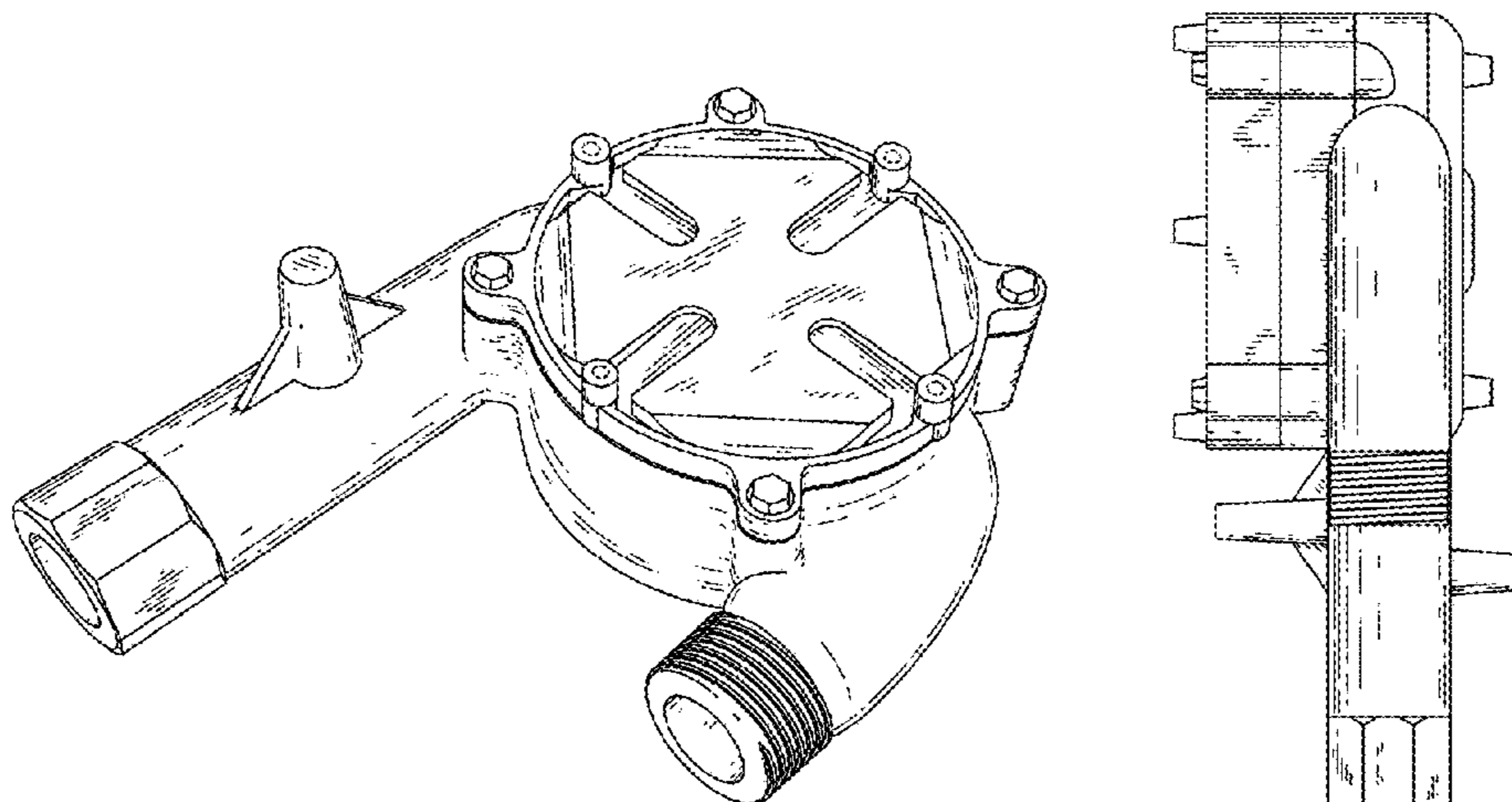
(57) **CLAIM**

The ornamental design for a flow meter housing, as shown and described.

DESCRIPTION

FIG. 1 is a top perspective view of the flow meter housing;
FIG. 2 is a top view;
FIG. 3 is a bottom view;
FIG. 4 is a side view (from the left side); and,
FIG. 5 is a side view (from the right side).
The dashed broken lines depict portions of the article that form no part of the claim.

1 Claim, 5 Drawing Sheets



(56)

References Cited

U.S. PATENT DOCUMENTS

D426,617 S * 6/2000 Hansen D23/237
 6,191,687 B1 2/2001 Dlugos et al.
 6,216,727 B1 4/2001 Genova et al.
 6,374,846 B1 4/2002 DeSmet
 6,612,188 B2 * 9/2003 Hamilton G01F 3/12
 73/861.78
 6,653,945 B2 11/2003 Johnson et al.
 6,710,721 B1 3/2004 Holowick
 6,755,148 B2 6/2004 Holowick
 6,778,099 B1 8/2004 Meyer et al.
 6,798,352 B2 9/2004 Holowick
 6,952,970 B1 10/2005 Furmidge et al.
 6,962,162 B2 11/2005 Acker
 D518,876 S * 4/2006 Park D23/233
 D559,717 S * 1/2008 Hendey D10/96
 7,504,964 B2 3/2009 Brennan et al.
 7,671,480 B2 3/2010 Pitchford et al.
 D668,979 S * 10/2012 Robb D10/96

D674,302 S * 1/2013 Robb D10/96
 D675,122 S * 1/2013 Robb D10/96
 8,489,342 B2 7/2013 Dugger et al.
 8,757,009 B2 6/2014 Jennings
 8,939,016 B2 1/2015 Brasel et al.
 D741,737 S * 10/2015 Feng D10/96
 2004/0113812 A1 6/2004 Bianchi et al.
 2005/0006402 A1 1/2005 Acker
 2012/0144898 A1 6/2012 Brasel et al.
 2013/0207815 A1 8/2013 Pitchford et al.
 2014/0303909 A1 10/2014 Hanks et al.
 2015/0338001 A1 * 11/2015 Bush F16L 21/06
 285/179

FOREIGN PATENT DOCUMENTS

FR 2980281 3/2013
 KR 100973662 8/2010
 WO WO 2007024894 3/2007

* cited by examiner

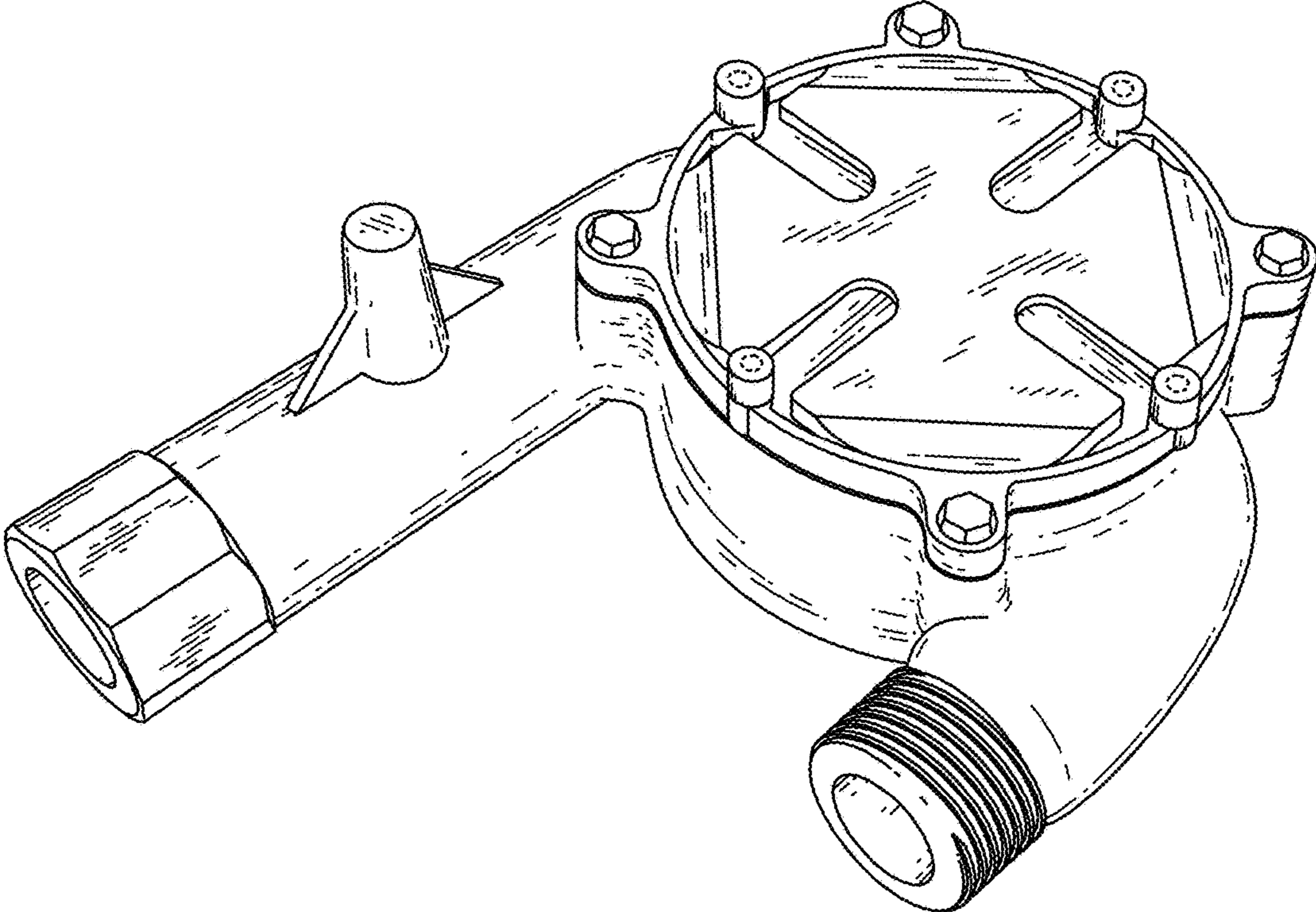


FIG. 1

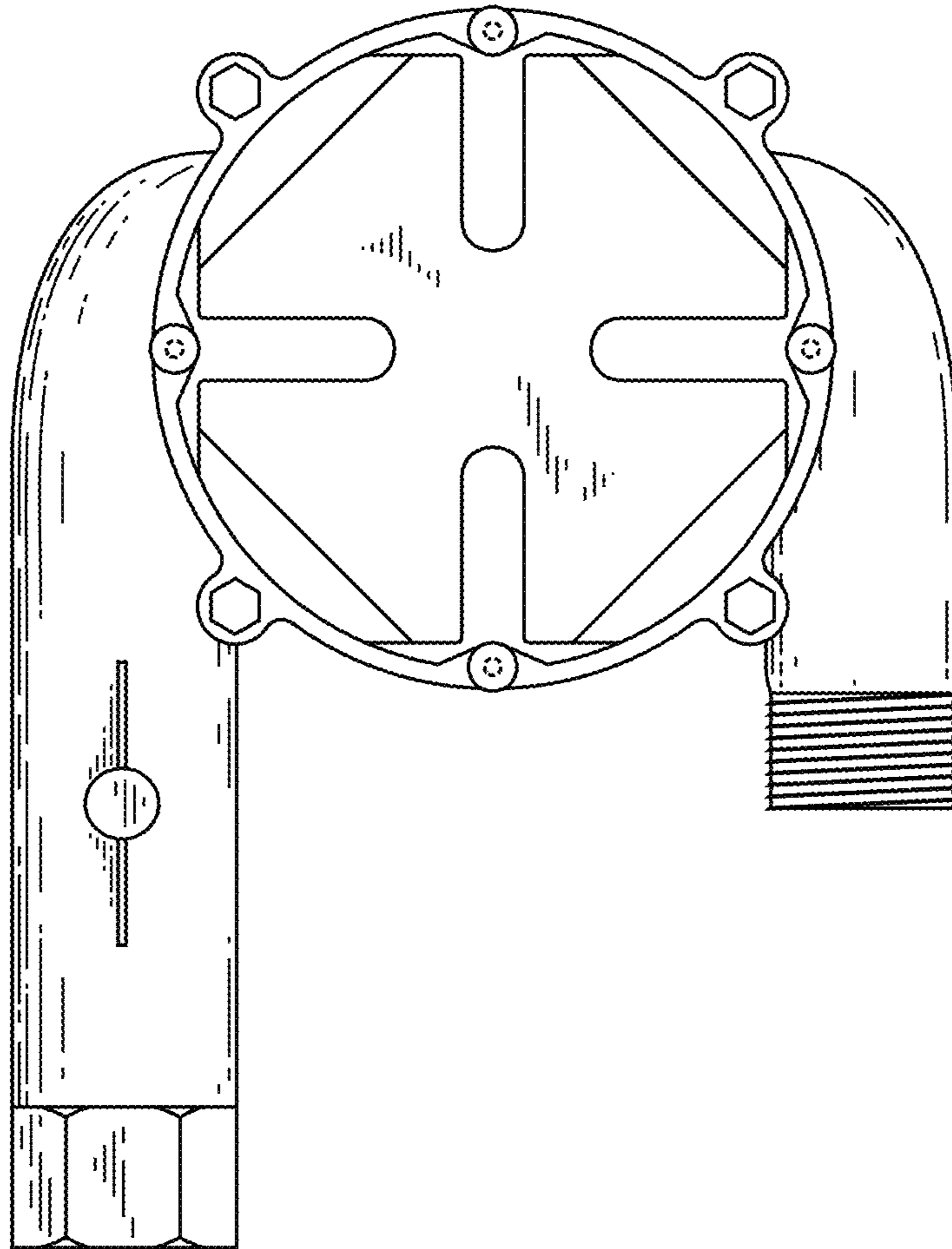


FIG. 2

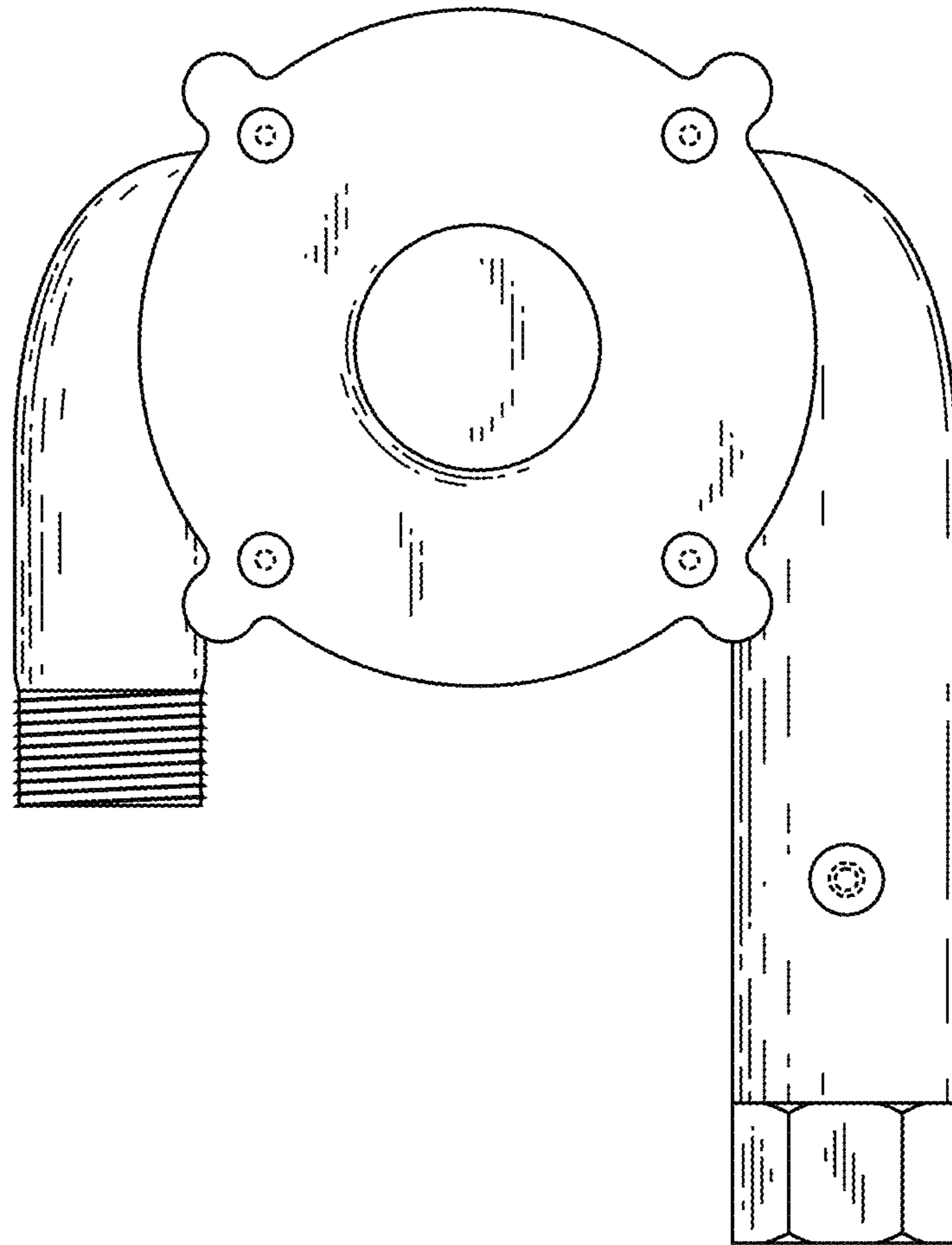


FIG. 3

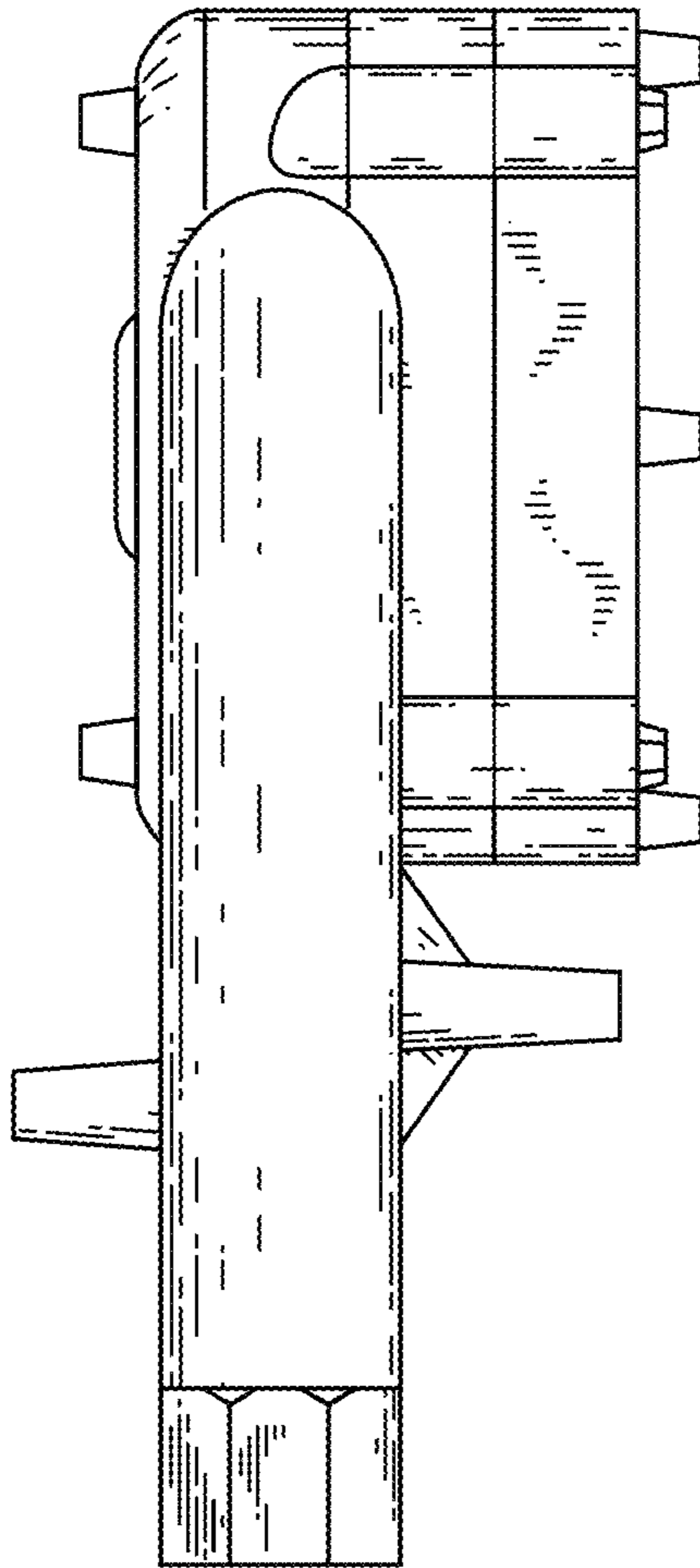


FIG. 4

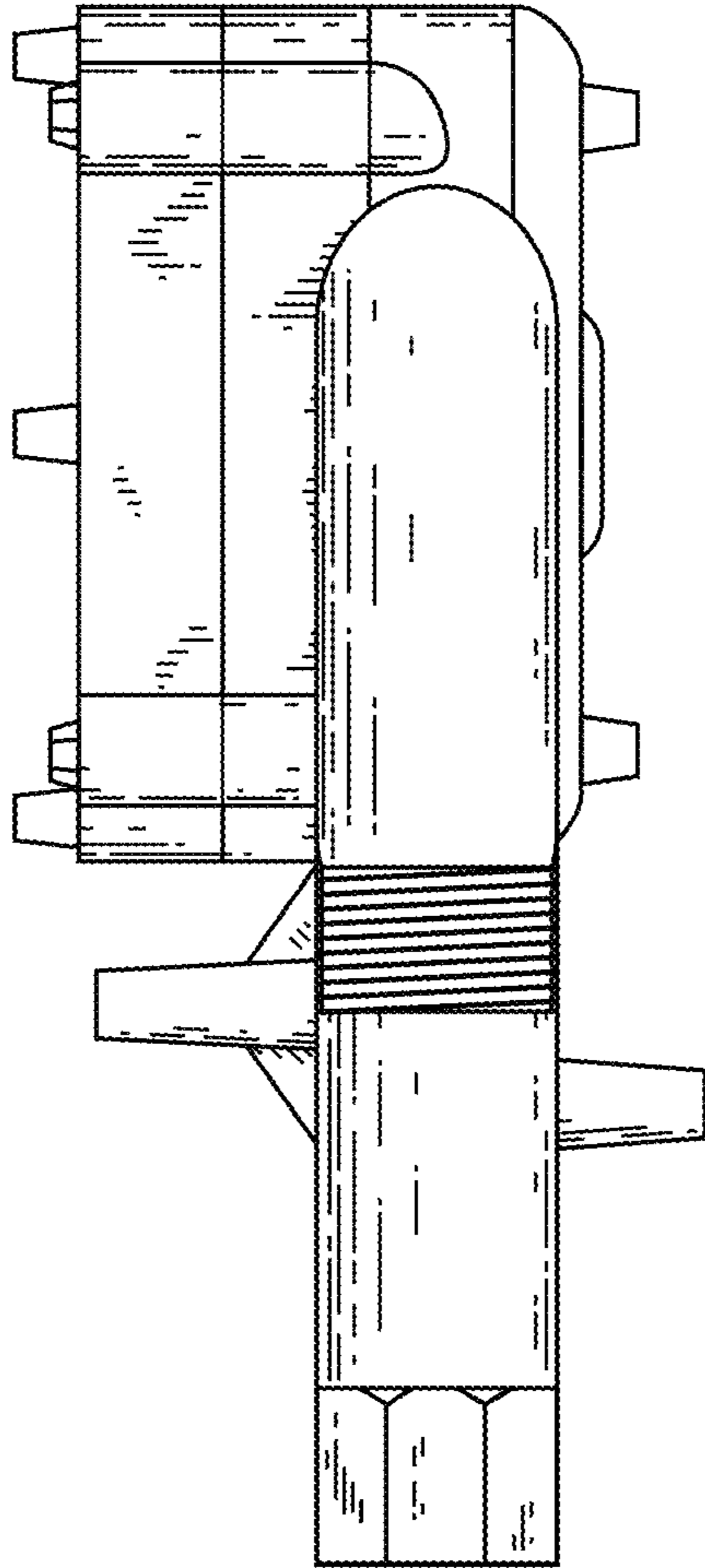


FIG. 5