



US00D835240S

(12) **United States Design Patent**  
**Ben Yaacov**

(10) **Patent No.:** **US D835,240 S**  
(45) **Date of Patent:** **\*\* Dec. 4, 2018**

- (54) **VALVE**
- (71) Applicant: **Dorot Management Control Valves Ltd., Hof Ashkelon (IL)**
- (72) Inventor: **Raz Ben Yaacov, Hof Hacarmel (IL)**
- (73) Assignee: **Dorot Management Control Valves, Ltd., Hof Ashkelon (IL)**
- (\*\*) Term: **15 Years**
- (21) Appl. No.: **29/611,007**
- (22) Filed: **Jul. 18, 2017**
- (51) **LOC (11) Cl.** ..... **23-01**
- (52) **U.S. Cl.**  
USPC ..... **D23/248**
- (58) **Field of Classification Search**  
USPC ..... D23/233, 235, 237, 241, 243, 244, 247, 249, 137/556, 219, 492, 137/629.14, 624.18; 251/61.1, 61.4, 251/335.3, 305, 332, 309, 315, 368  
CPC ..... F16K 5/0605; F16K 11/0716; F16K 31/0603; F16K 31/12  
See application file for complete search history.

- D335,331 S \* 5/1993 Weingarten ..... D23/248
- D437,917 S \* 2/2001 Weingarten ..... D23/244
- D460,526 S \* 7/2002 Weingarten ..... D23/244
- D617,878 S \* 6/2010 Weingarten ..... D23/234

\* cited by examiner

*Primary Examiner* — Cynthia Ramirez  
*Assistant Examiner* — Gino Colan  
(74) *Attorney, Agent, or Firm* — Edell, Shapiro & Finnan, LLC

(57) **CLAIM**

The ornamental design for a valve, as shown and described.

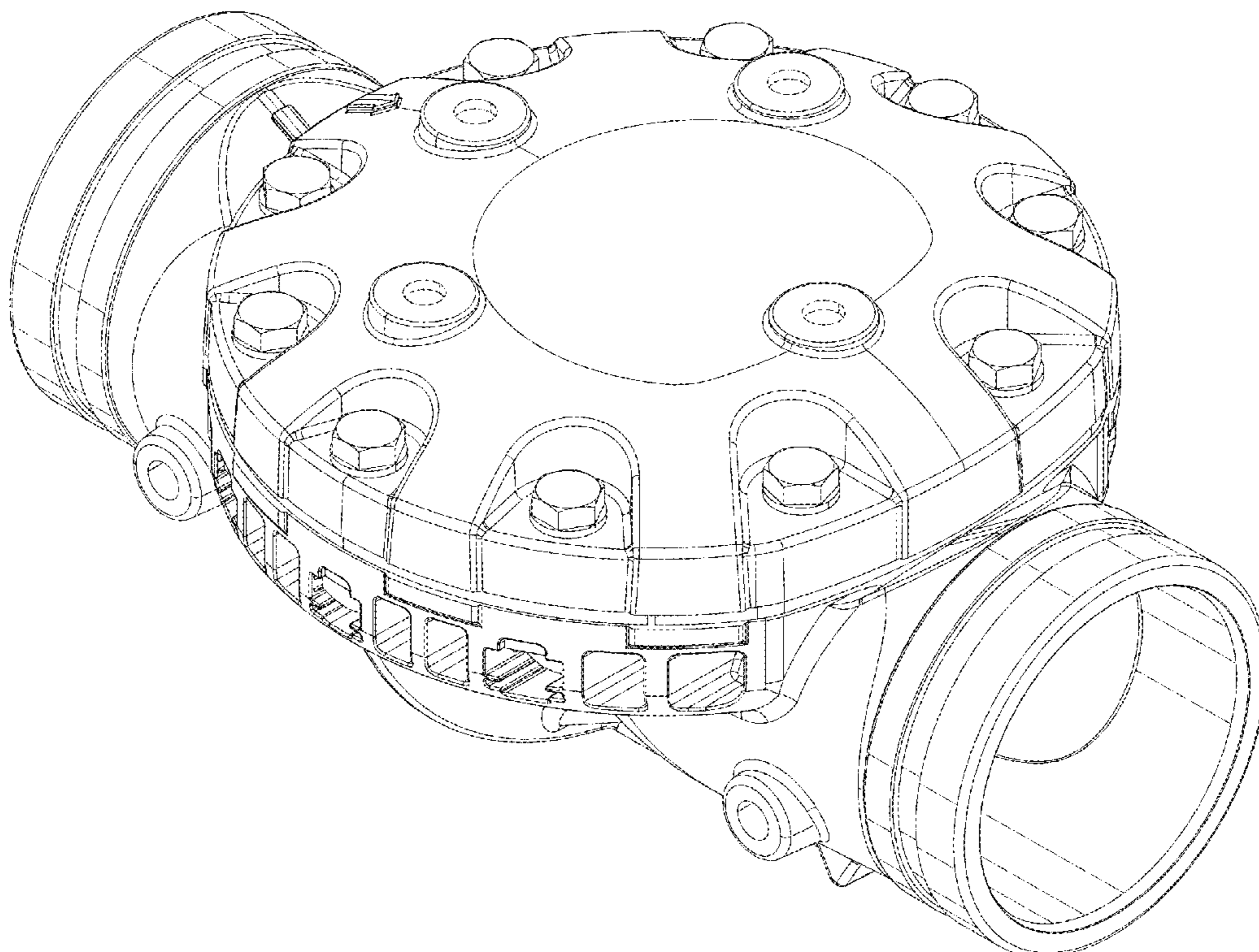
**DESCRIPTION**

FIG. 1 is a front, right perspective view from above of a valve showing the new design;  
FIG. 2 is a front, right perspective view from below of the valve of FIG. 1;  
FIG. 3 is a right side elevation view of the valve of FIG. 1;  
FIG. 4 is a left side elevation view of the valve of FIG. 1;  
FIG. 5 is a front elevation view of the valve of FIG. 1;  
FIG. 6 is a rear elevation view of the valve in FIG. 1;  
FIG. 7 is a top plan view of the valve of FIG. 1; and,  
FIG. 8 is a bottom plan view of the valve of FIG. 1.  
The broken lines shown in the figures are included for the purpose of illustrating portions of the valve and form no part of claimed design.

(56) **References Cited**  
U.S. PATENT DOCUMENTS

- D152,809 S \* 2/1949 MacCauley ..... D23/235
- D213,104 S \* 1/1969 Townsend ..... D23/233

**1 Claim, 8 Drawing Sheets**



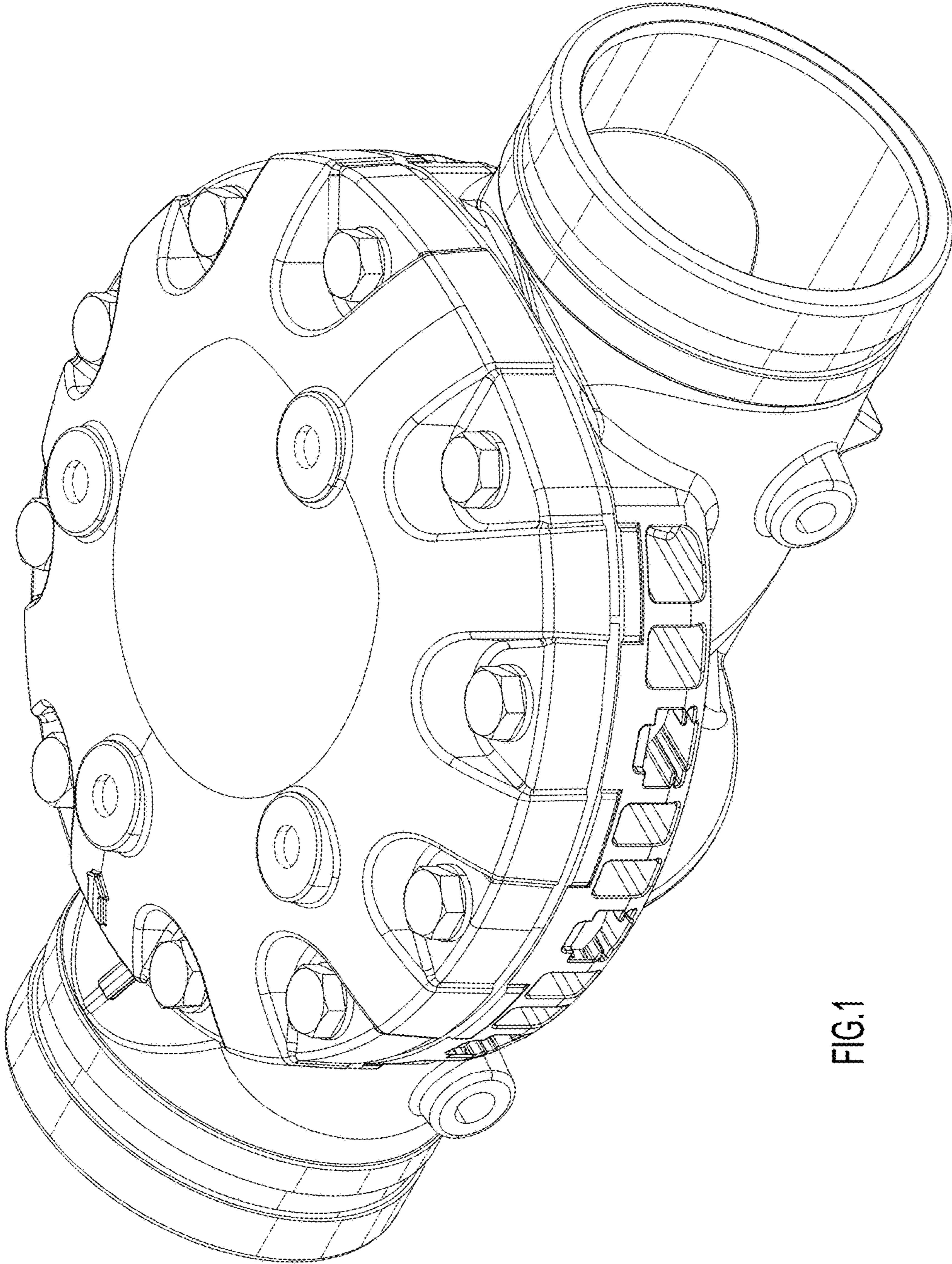


FIG.1



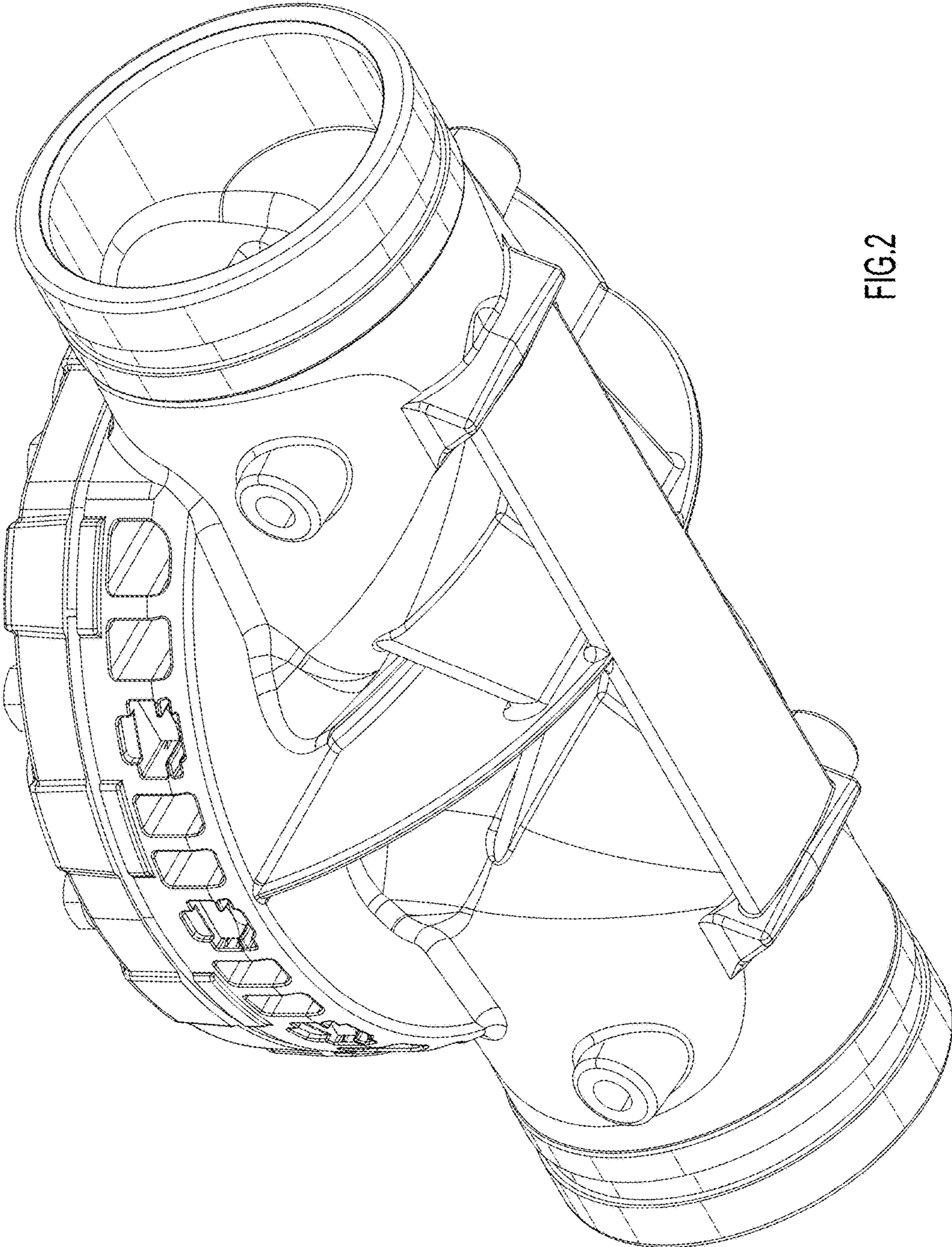


FIG.2

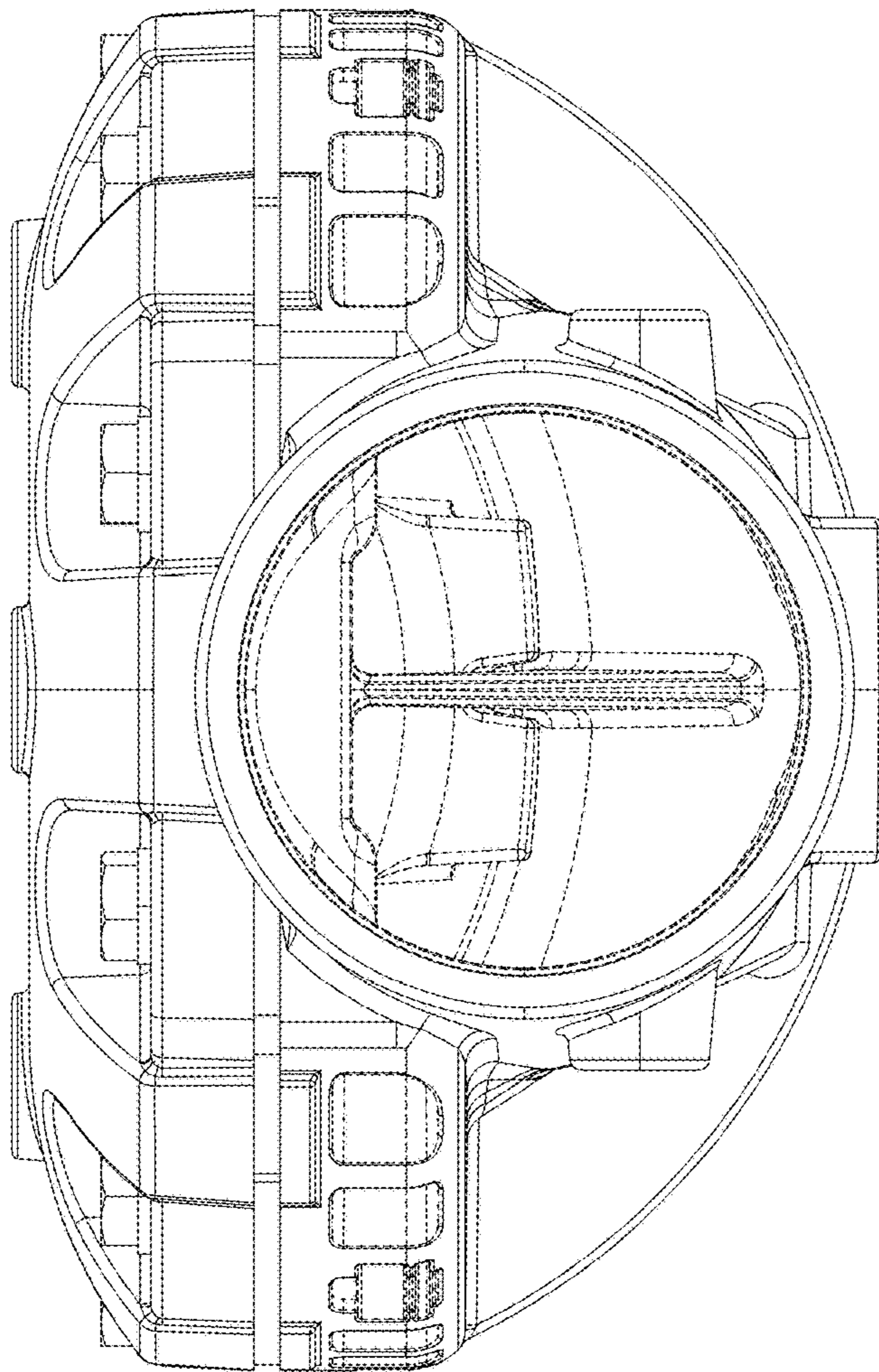


FIG.3

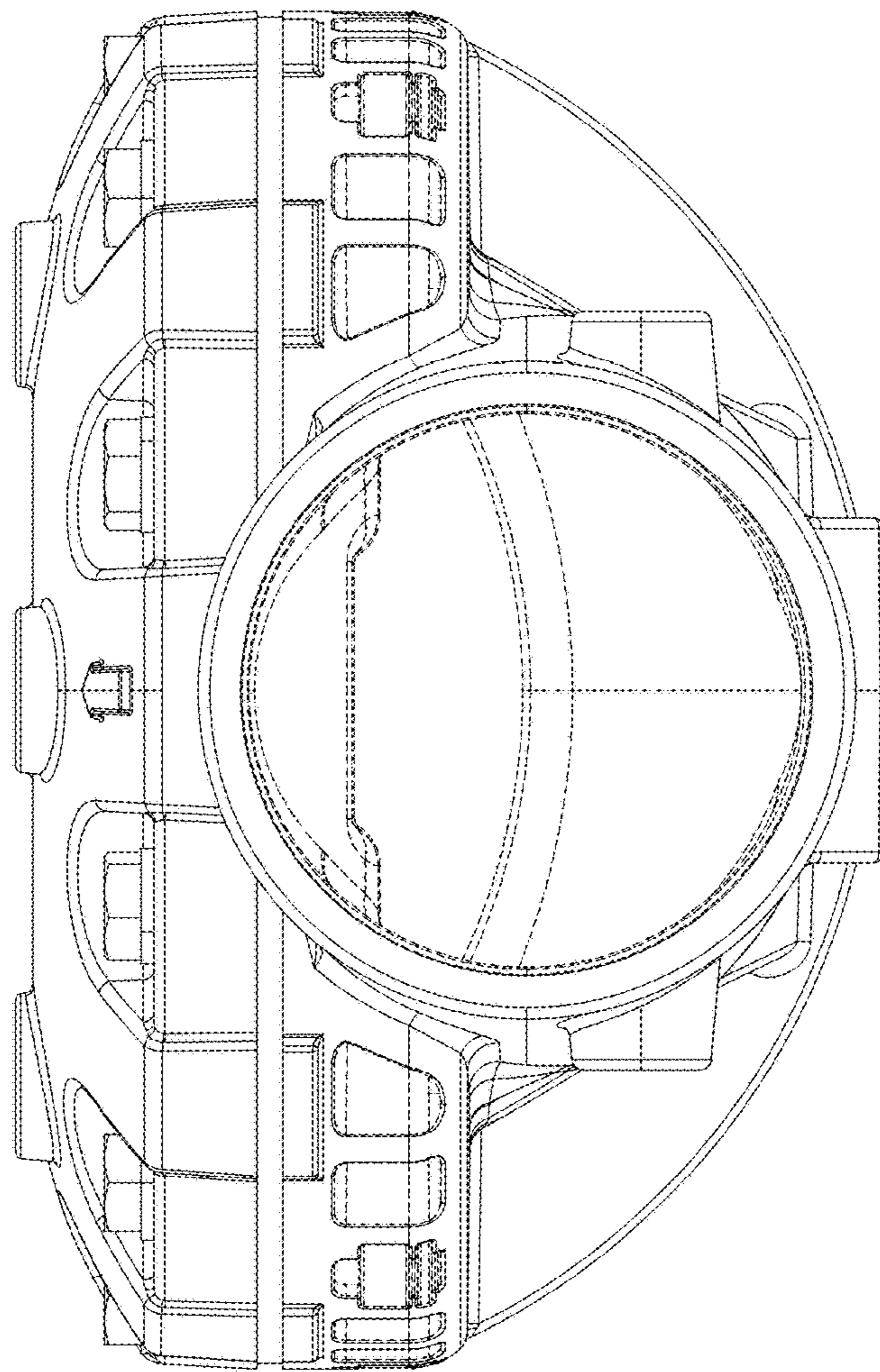


FIG.4



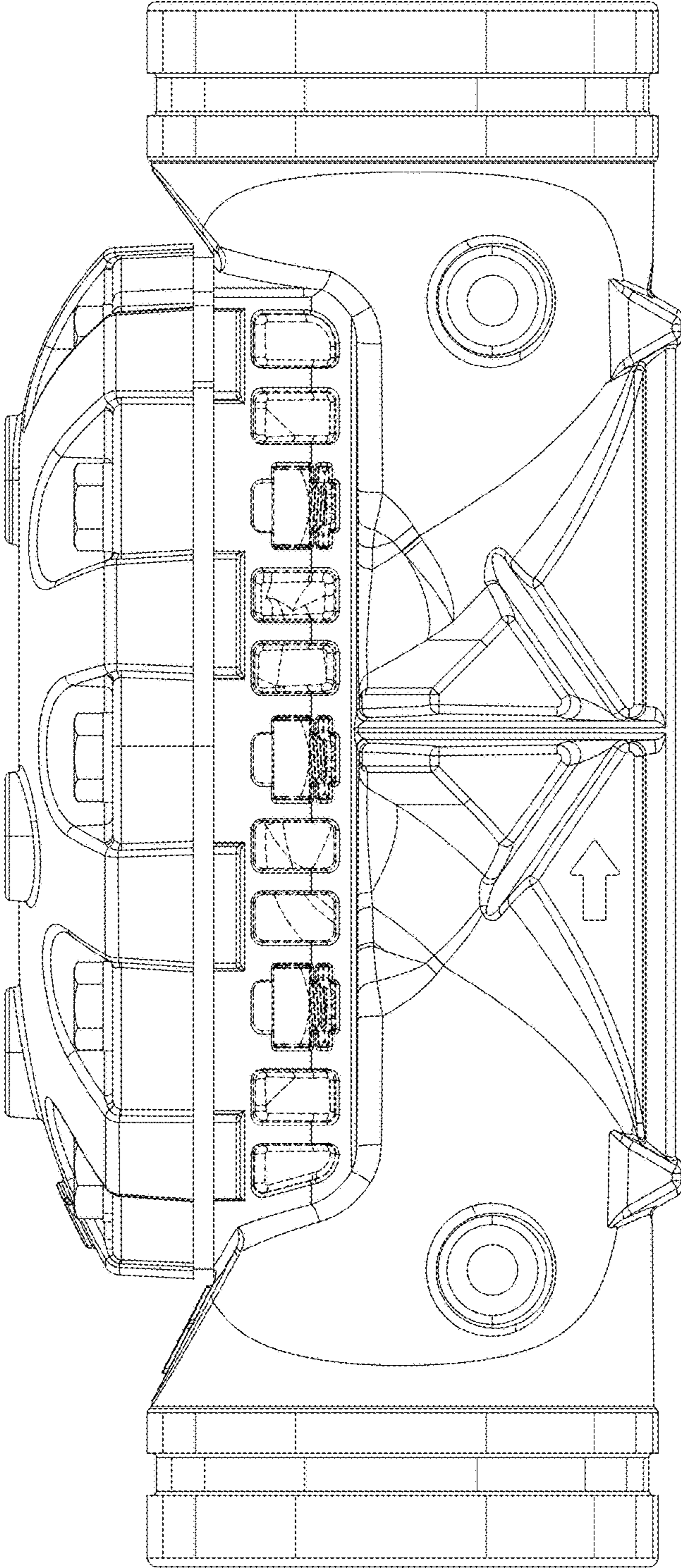


FIG.5

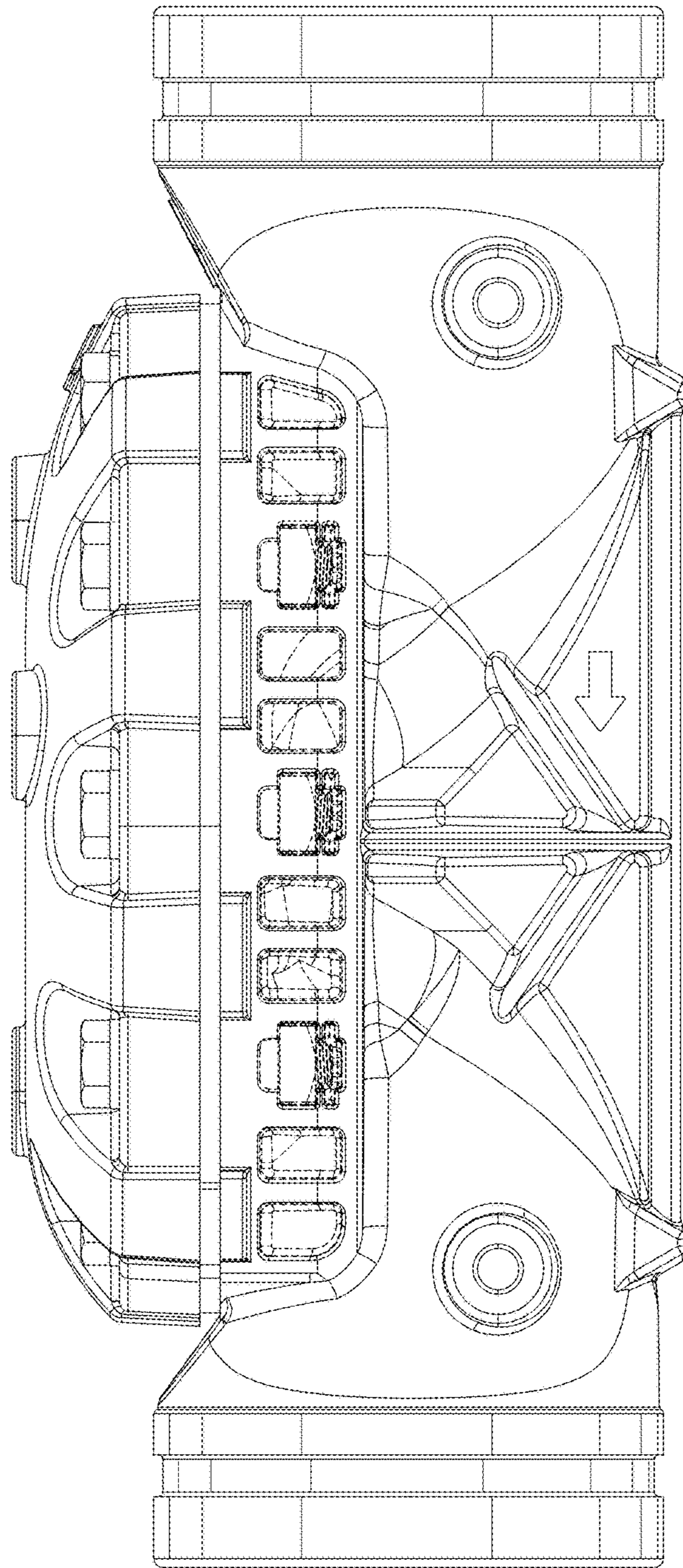


FIG.6

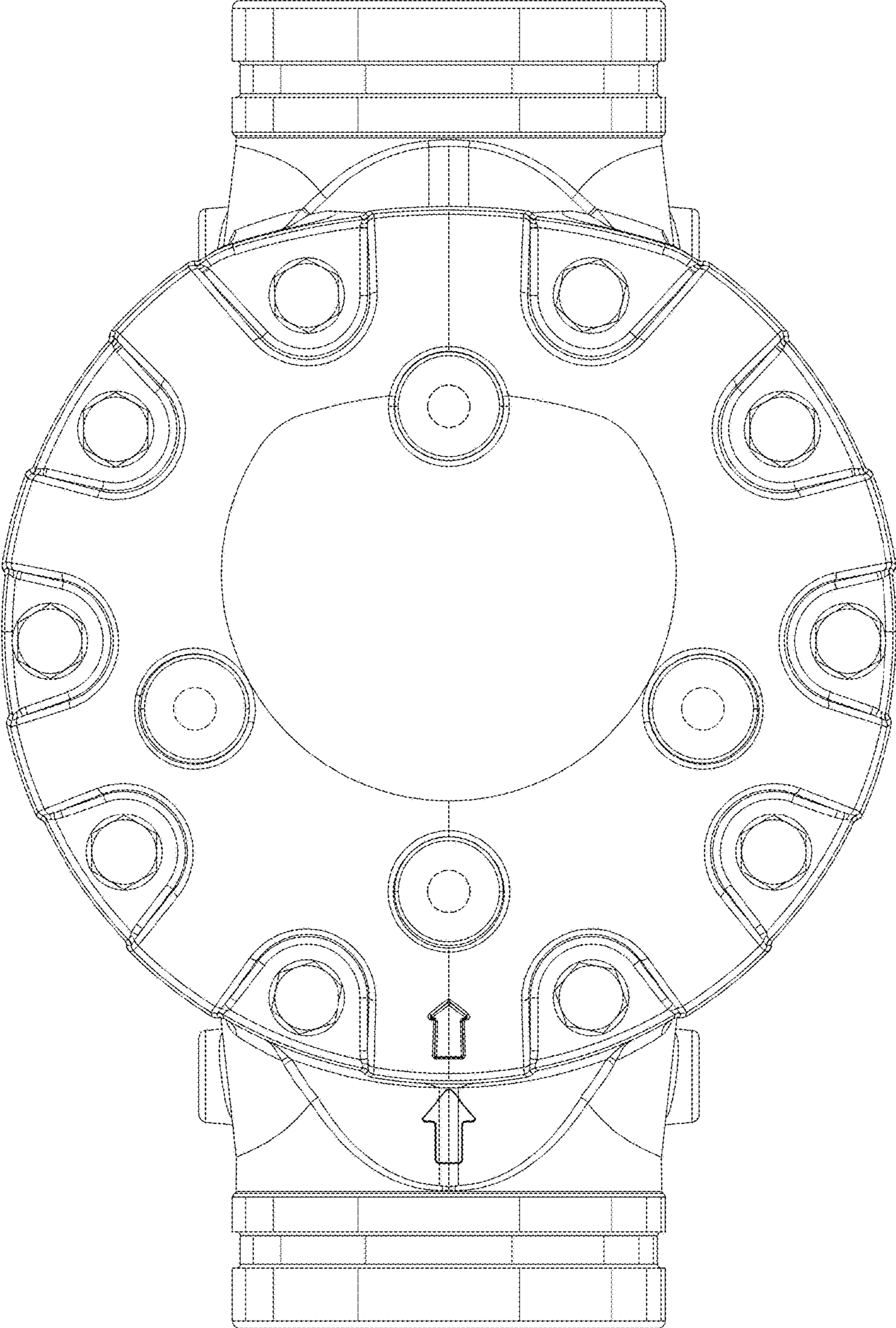


FIG. 7



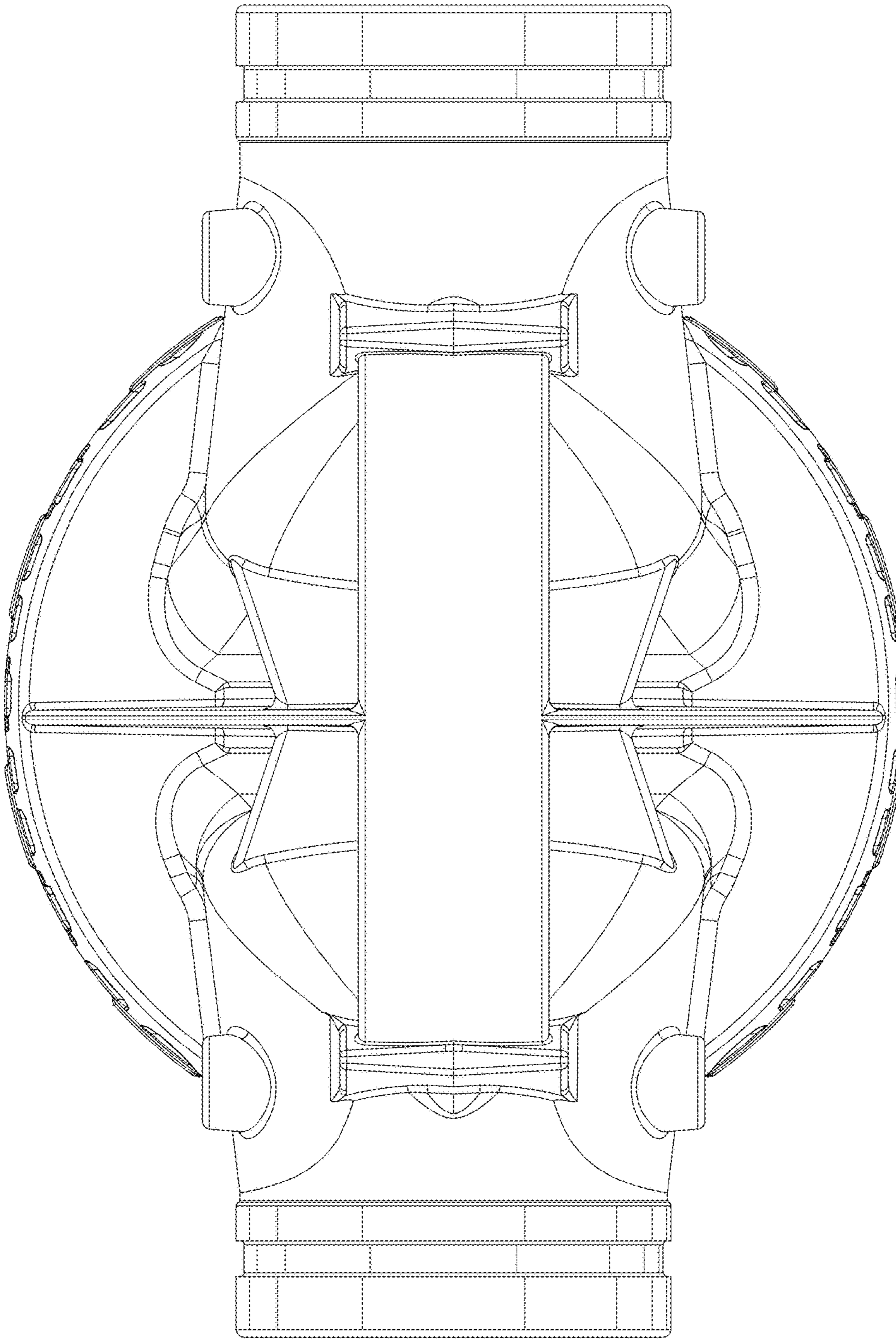


FIG.8