



US00D835238S

(12) **United States Design Patent**
Ziemann et al.

(10) **Patent No.:** **US D835,238 S**

(45) **Date of Patent:** **** Dec. 4, 2018**

- (54) **FAUCET**
- (71) Applicant: **BLANCO GmbH + Co KG**,
Oberderdingen (DE)
- (72) Inventors: **Brigitte Ziemann**, Eppingen (DE);
Thomas Funke, Eppingen (DE)
- (73) Assignee: **BLANCO GmbH + Co KG**,
Oberderdingen (DE)
- (**) Term: **15 Years**
- (21) Appl. No.: **29/599,066**
- (22) Filed: **Mar. 30, 2017**
- (51) **LOC (11) Cl.** **23-01**
- (52) **U.S. Cl.**
USPC **D23/238**
- (58) **Field of Classification Search**
USPC D23/238-243, 249-250, 252, 254-255,
D23/257
CPC E03C 1/0412; Y10T 137/9464
See application file for complete search history.

8,413,686 B2 * 4/2013 Ko E03C 1/0404
137/801
D786,404 S * 5/2017 Kaule D23/238
D786,405 S * 5/2017 Schaubach D23/238
D807,476 S * 1/2018 Haug D23/238
2004/0112985 A1 * 6/2004 Malek E03C 1/04
239/445
2004/0135009 A1 * 7/2004 Malek E03C 1/0404
239/530

* cited by examiner

Primary Examiner — Robert A Delehanty

(74) *Attorney, Agent, or Firm* — Hanley, Flight and
Zimmerman, LLC

(57) **CLAIM**

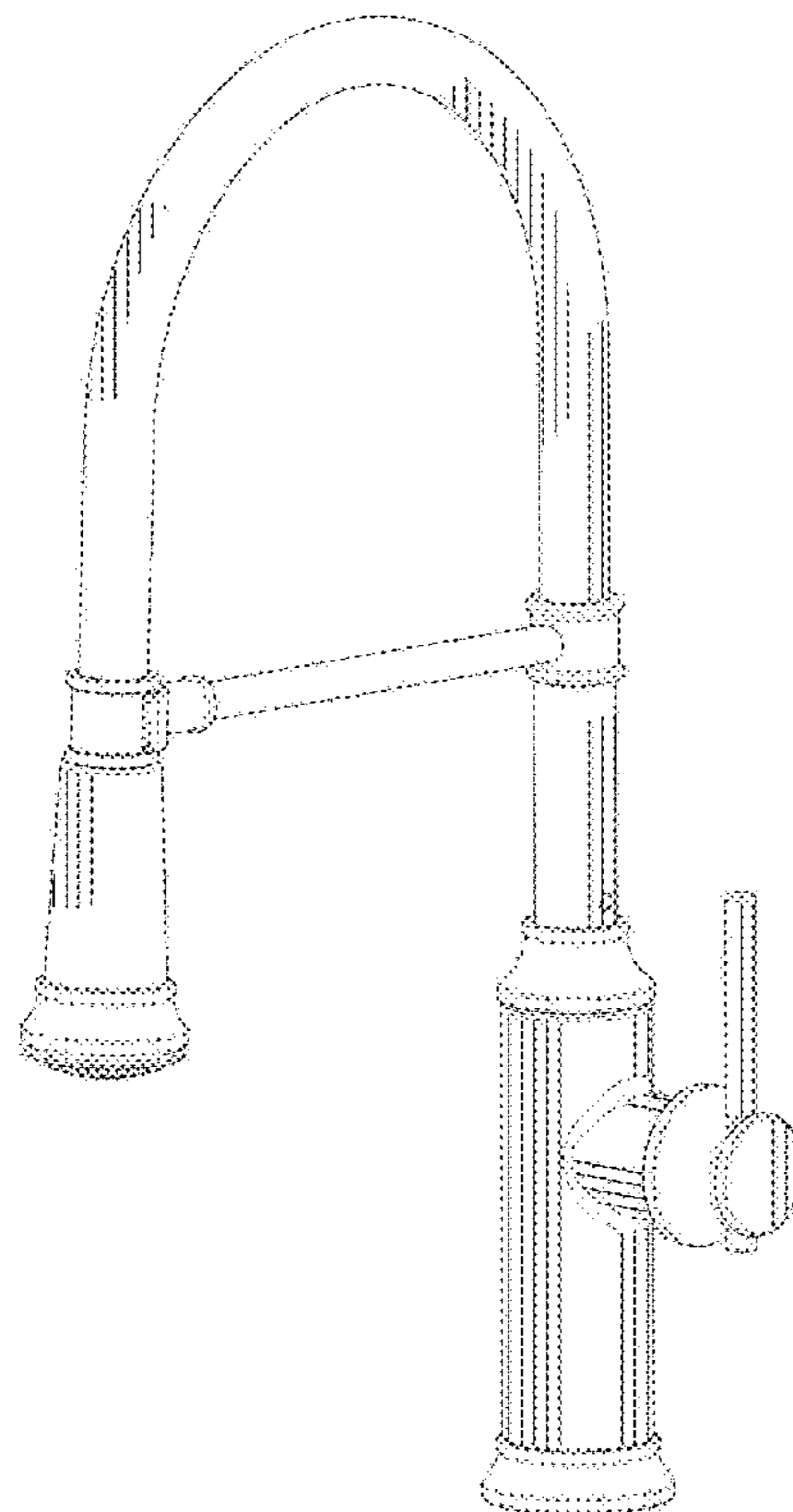
The ornamental design for a “faucet,” as shown and
described.

DESCRIPTION

FIG. 1 is a perspective view of a faucet.
 FIG. 2 is a top plan view of the faucet of FIG. 1.
 FIG. 3 is a bottom plan view of the faucet of FIG. 1.
 FIG. 4 is a front view of the faucet of FIG. 1.
 FIG. 5 is a rear view of the faucet of FIG. 1.
 FIG. 6 is a right side view of the faucet of FIG. 1; and,
 FIG. 7 is a left side view of the faucet of FIG. 1.
 The features shown in broken lines form no part of the
 claimed design.

1 Claim, 7 Drawing Sheets

- (56) **References Cited**
U.S. PATENT DOCUMENTS
D503,777 S * 4/2005 Costello D23/238
D531,698 S * 11/2006 Wood D23/238
D610,653 S * 2/2010 Schoenherr D23/238



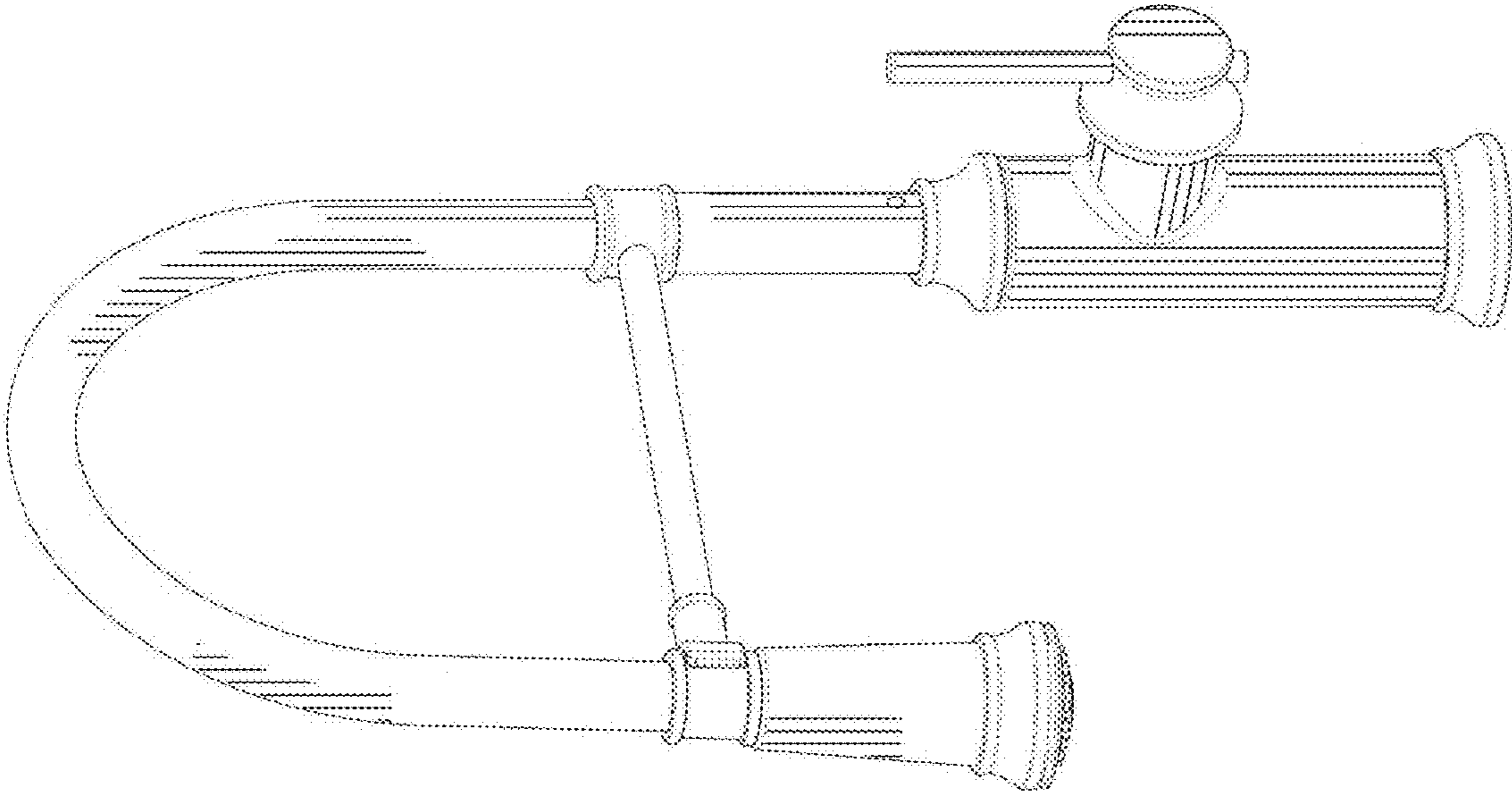


FIG. 1

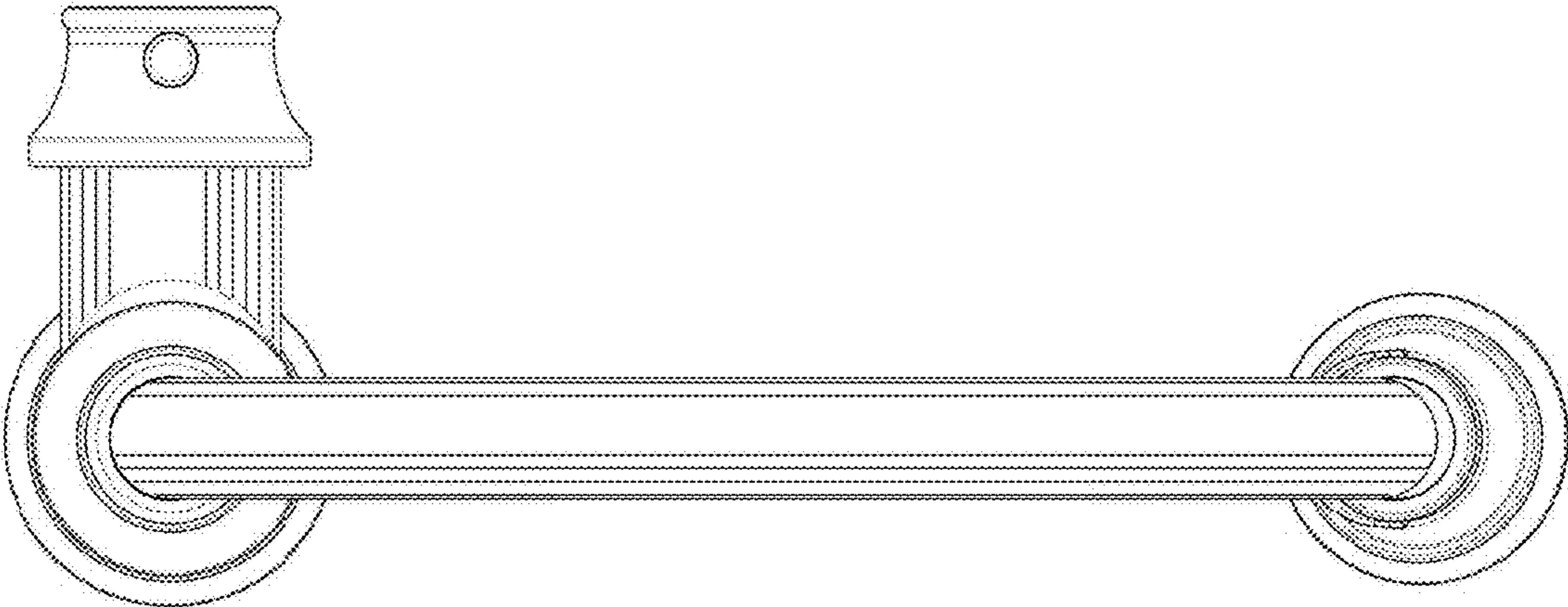


FIG. 2

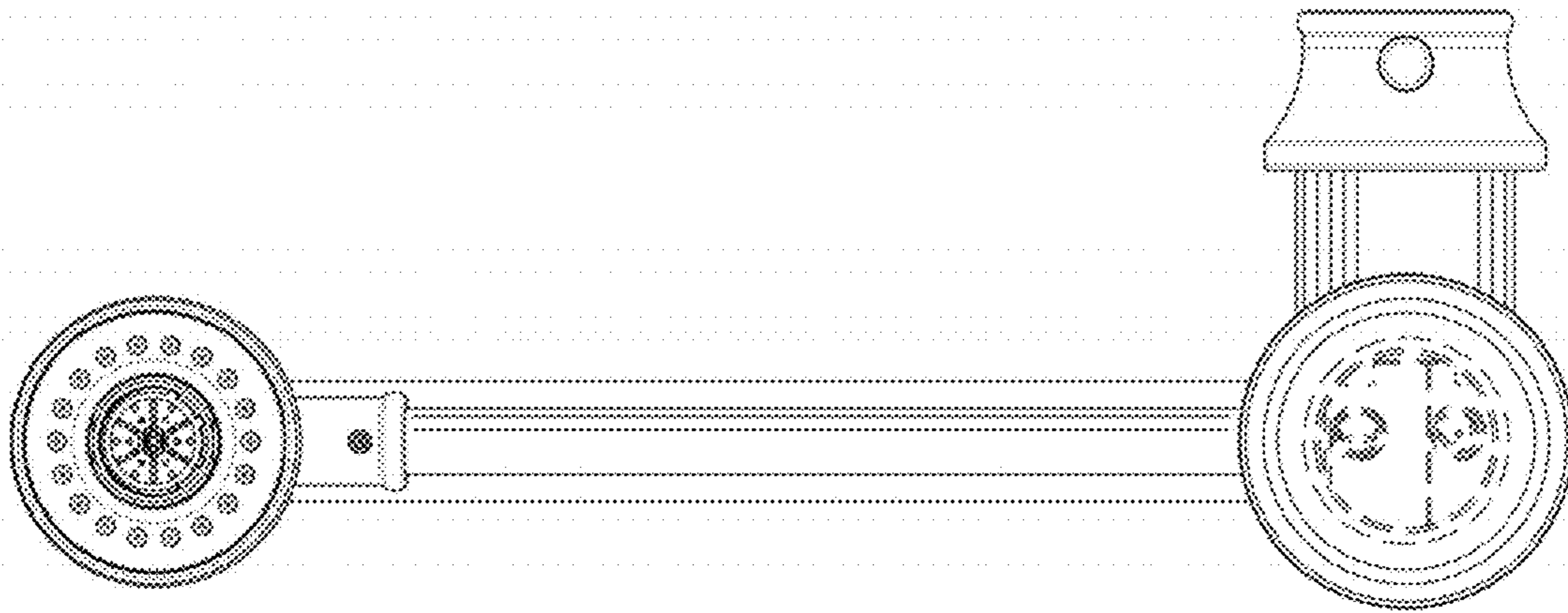


FIG. 3

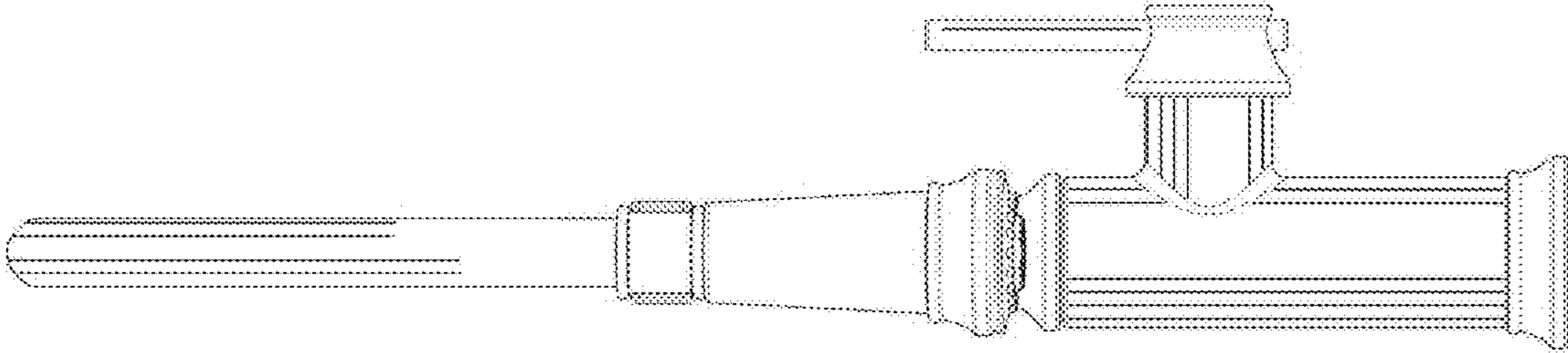


FIG. 4

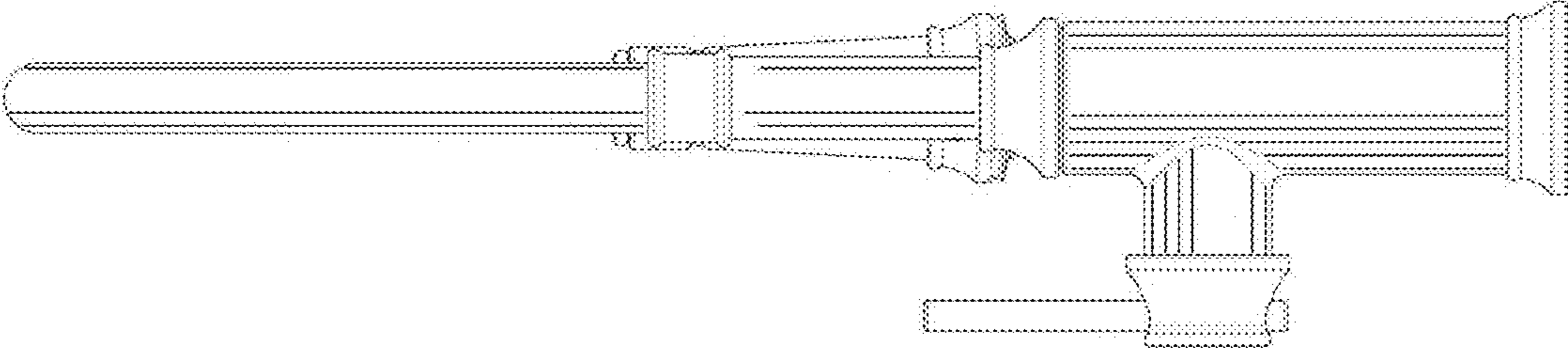


FIG. 5

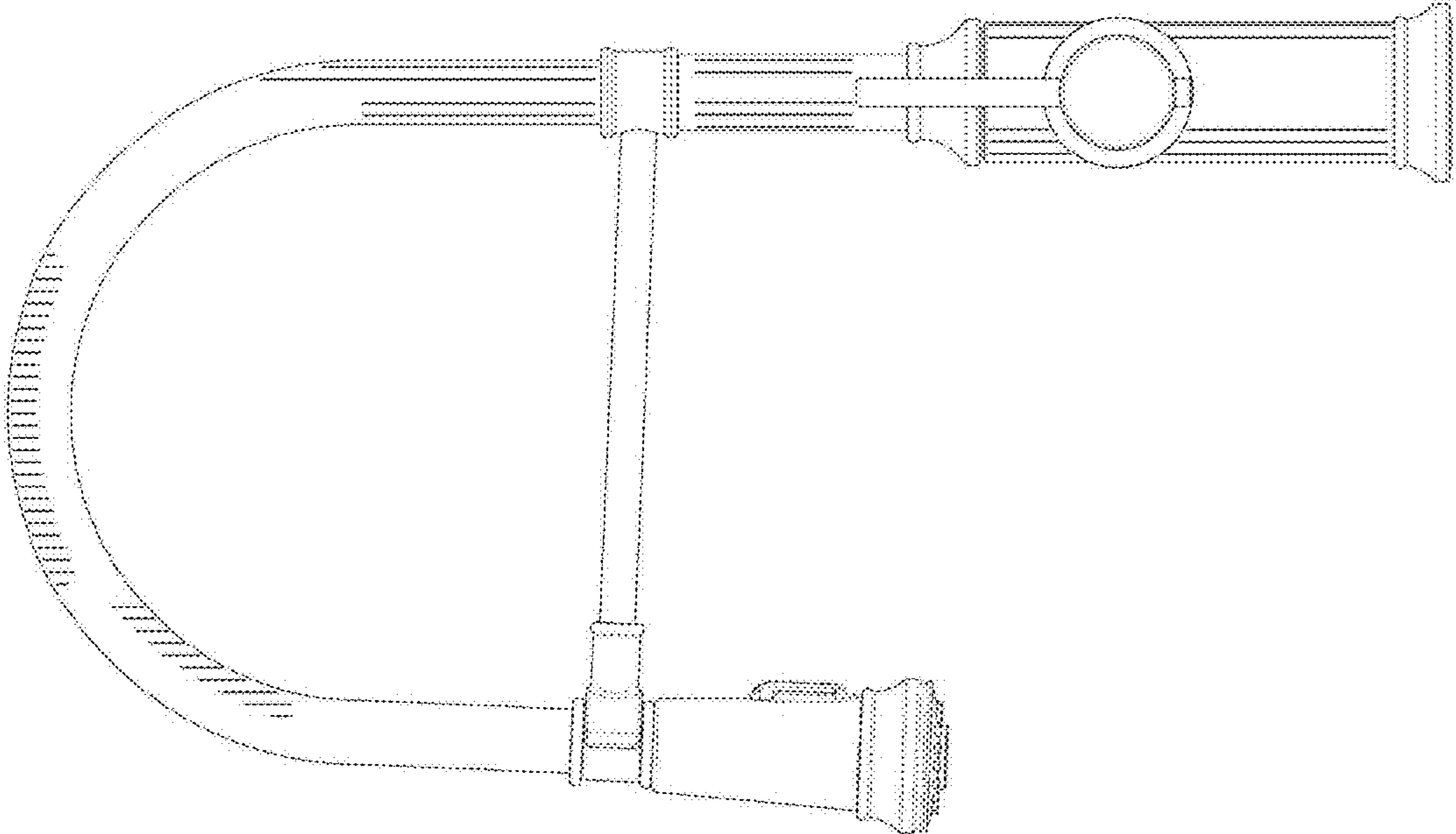


FIG. 6

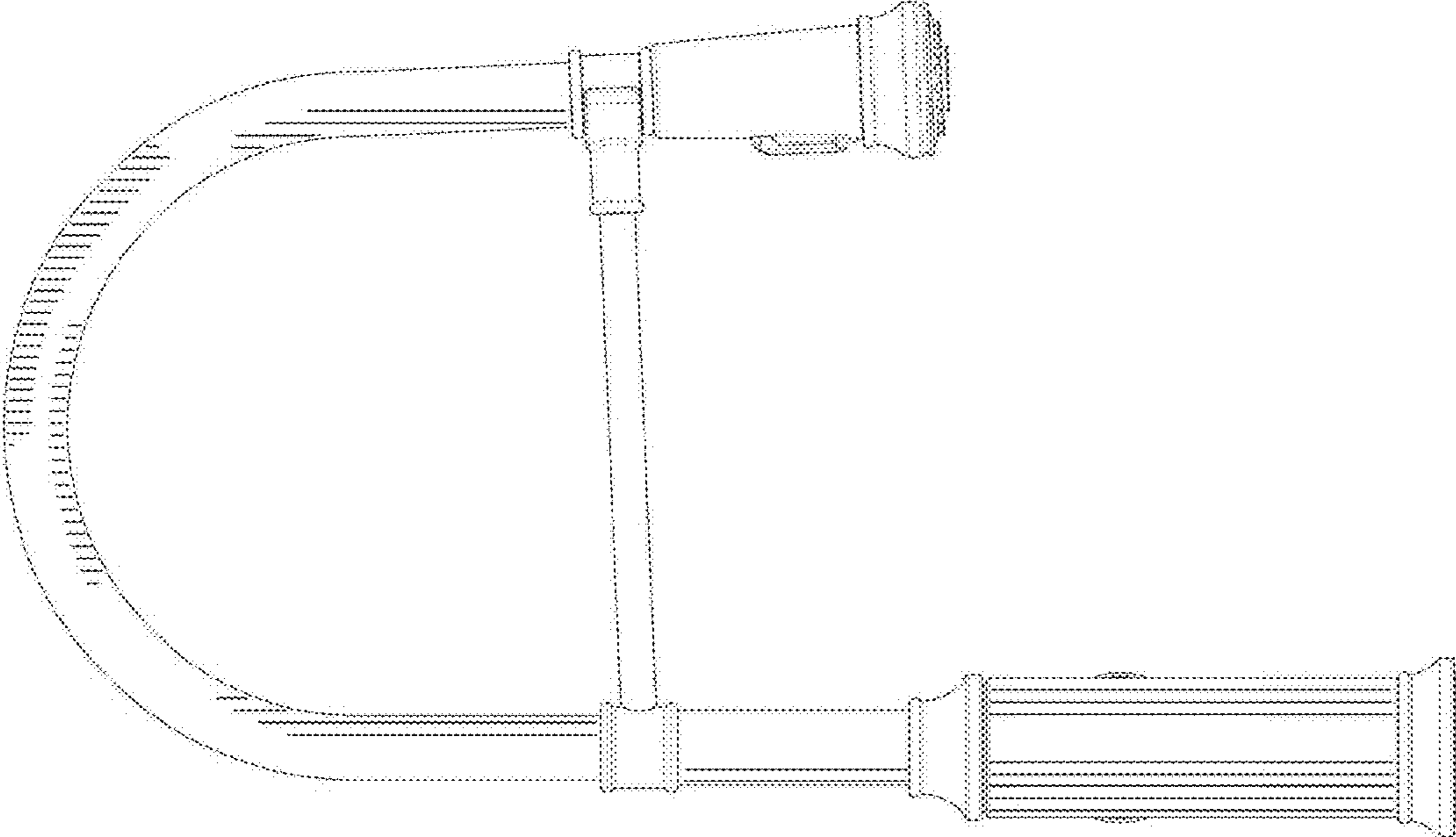


FIG. 7