



US00D835237S

(12) **United States Design Patent**  
**Ziemann et al.**

(10) **Patent No.:** **US D835,237 S**

(45) **Date of Patent:** **\*\* Dec. 4, 2018**

(54) **FAUCET**

(71) Applicant: **BLANCO GmbH + Co KG**,  
Oberderdingen (DE)

(72) Inventors: **Brigitte Ziemann**, Eppingen (DE);  
**Thomas Funke**, Eppingen (DE)

(73) Assignee: **BLANCO GmbH+ Co KG**,  
Oberderdingen (DE)

(\*\*) Term: **15 Years**

(21) Appl. No.: **29/599,065**

(22) Filed: **Mar. 30, 2017**

(51) **LOC (11) Cl.** ..... **23-01**

(52) **U.S. Cl.**  
USPC ..... **D23/238**

(58) **Field of Classification Search**  
USPC ..... D23/238–243, 249–250, 252, 254–255,  
D23/257  
CPC ..... E03C 1/0412; Y10T 137/9464  
See application file for complete search history.

(56) **References Cited**

**U.S. PATENT DOCUMENTS**

D503,777 S \* 4/2005 Costello ..... D23/238  
D531,698 S \* 11/2006 Wood ..... D23/238

D610,653 S \* 2/2010 Schoenherr ..... D23/238  
8,413,686 B2 \* 4/2013 Ko ..... E03C 1/0404  
137/801  
D786,405 S \* 5/2017 Schaubach ..... D23/238  
D807,476 S \* 1/2018 Haug ..... D23/238  
2004/0112985 A1 \* 6/2004 Malek ..... E03C 1/04  
239/445  
2004/0135009 A1 \* 7/2004 Malek ..... E03C 1/0404  
239/530

\* cited by examiner

*Primary Examiner* — Robert A Delehanty

(74) *Attorney, Agent, or Firm* — Hanley, Flight and  
Zimmerman, LLC

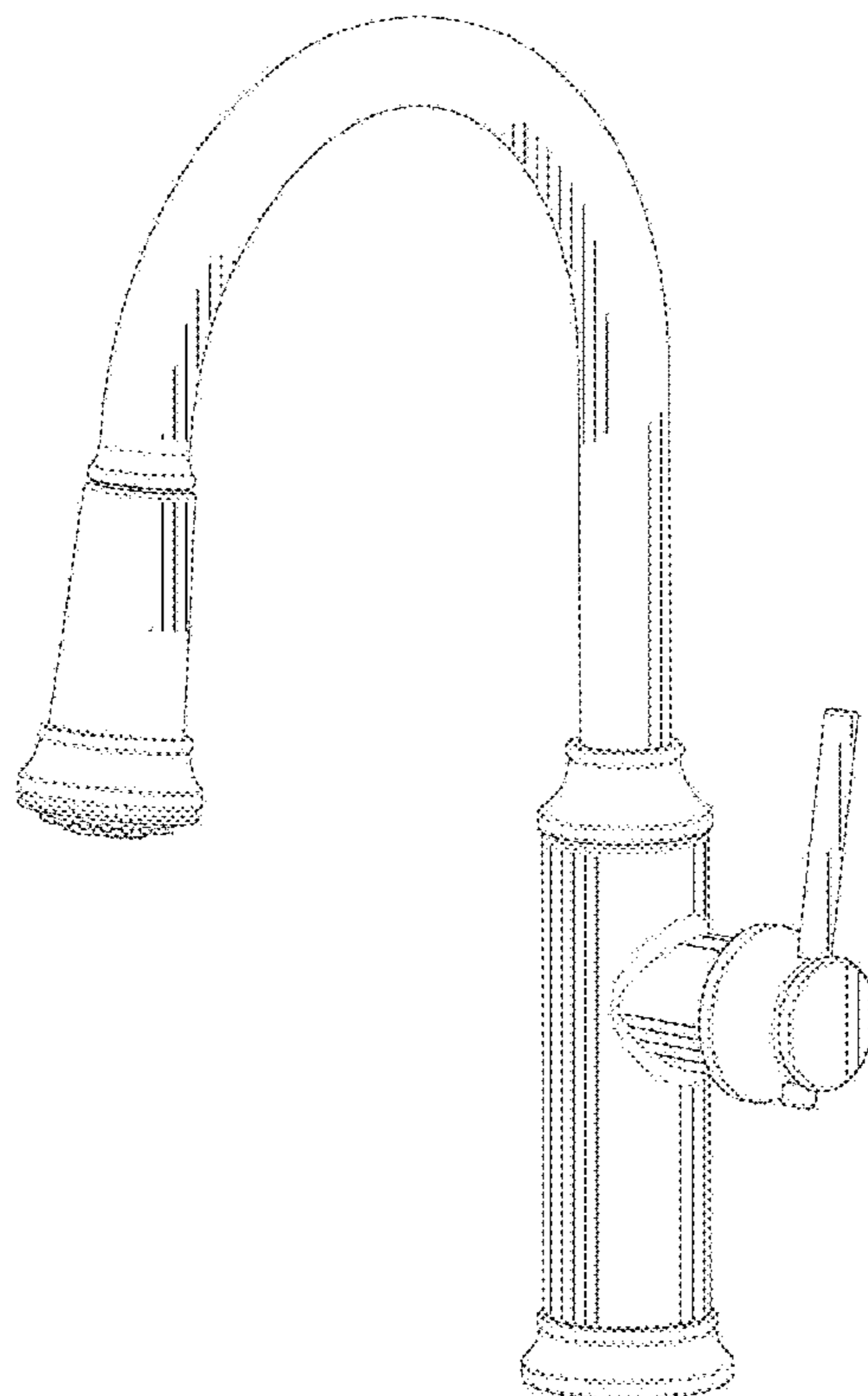
(57) **CLAIM**

The ornamental design for a “faucet”, as shown and  
described.

**DESCRIPTION**

FIG. 1 is a perspective view of a faucet.  
FIG. 2 is a top plan view of the faucet of FIG. 1.  
FIG. 3 is a bottom plan view of the faucet of FIG. 1.  
FIG. 4 is a front view of the faucet of FIG. 1.  
FIG. 5 is a rear view of the faucet of FIG. 1.  
FIG. 6 is a right side view of the faucet of FIG. 1; and,  
FIG. 7 is a left side view of the faucet of FIG. 1.  
The features shown in broken lines form no part of the  
claimed design.

**1 Claim, 7 Drawing Sheets**



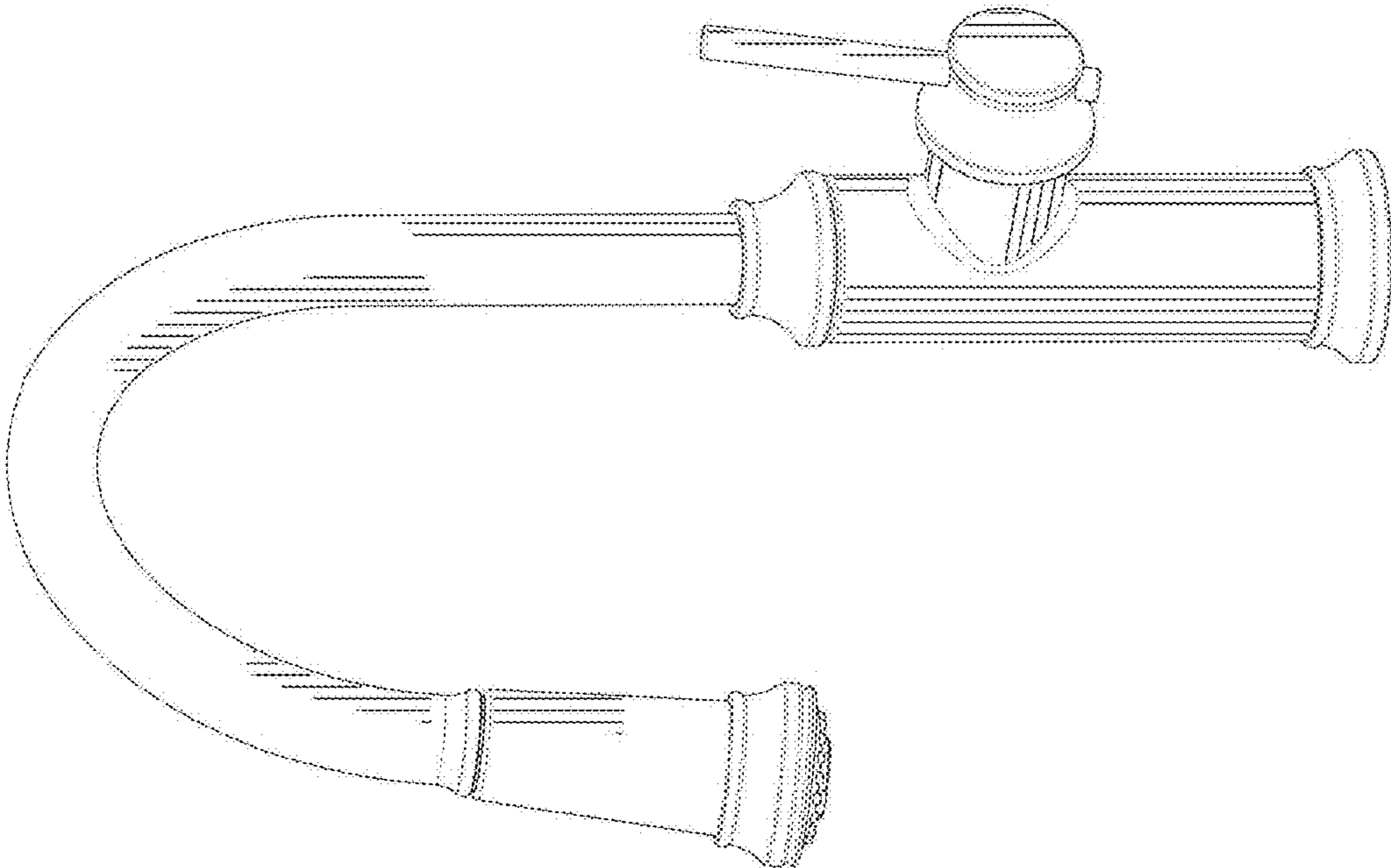


FIG. 1

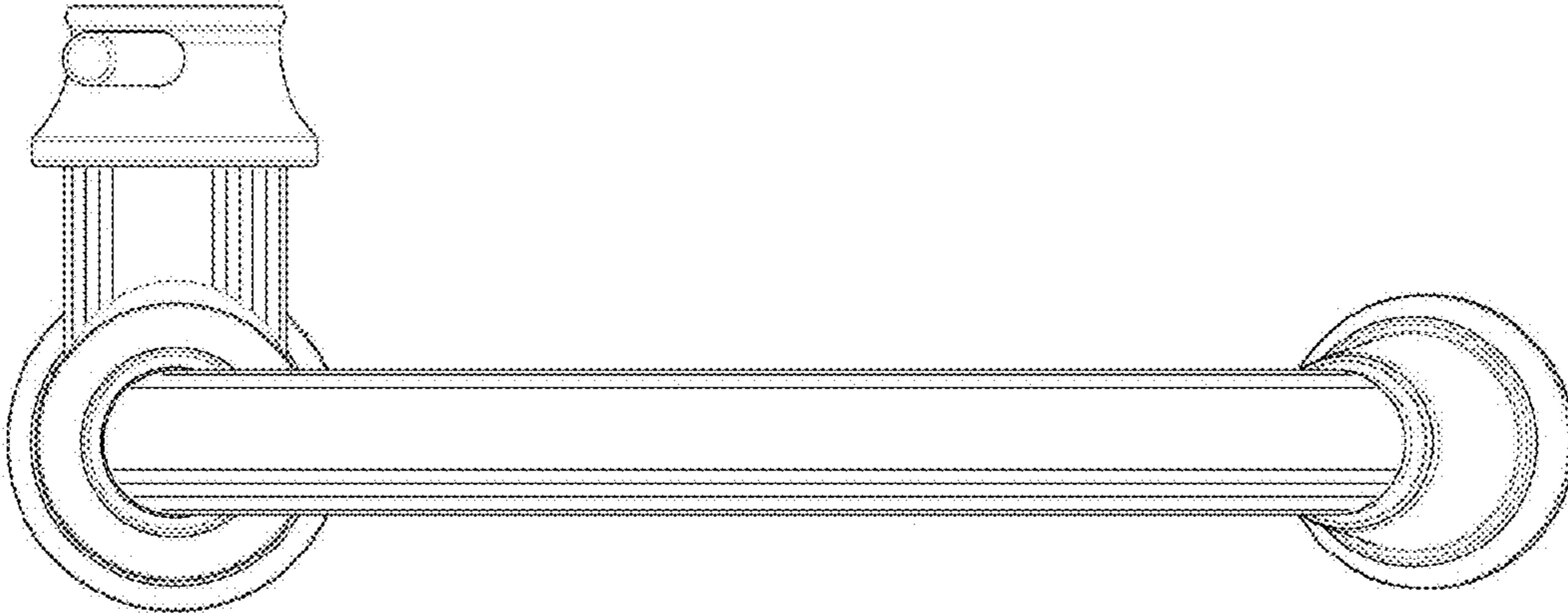


FIG. 2

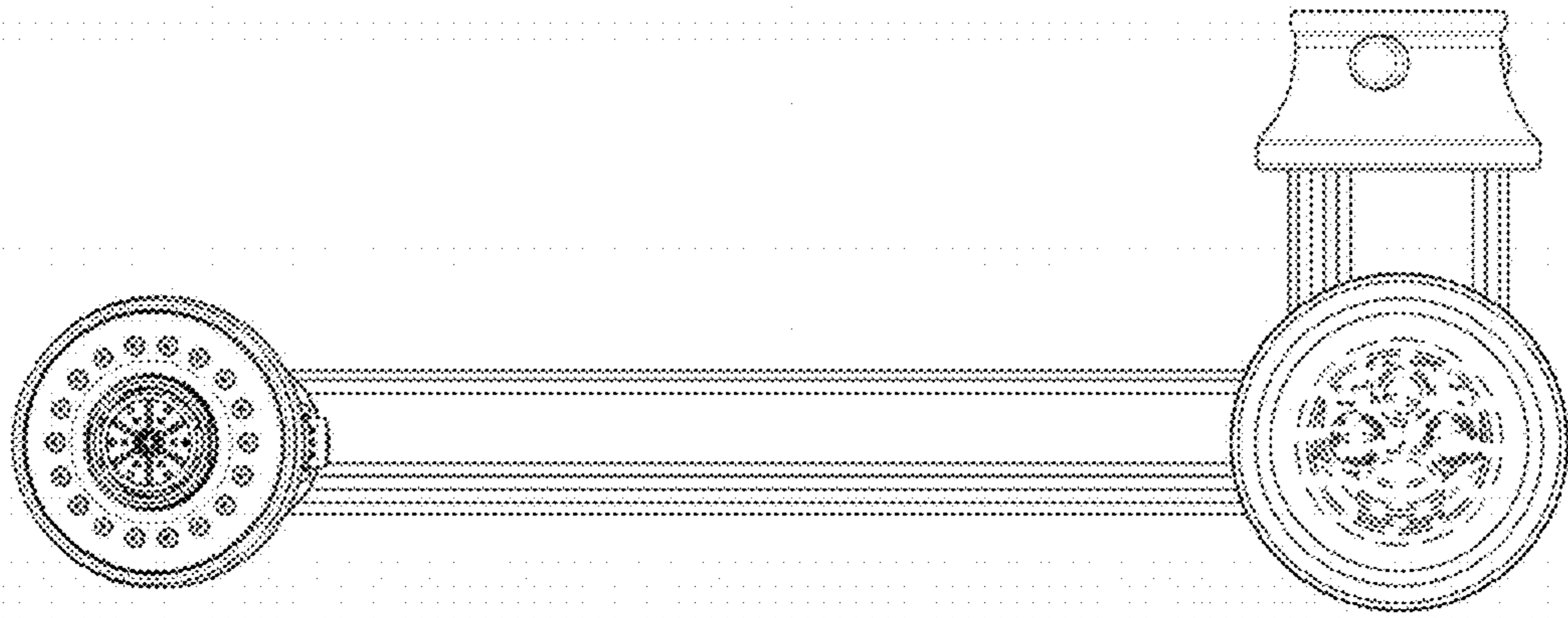


FIG. 3

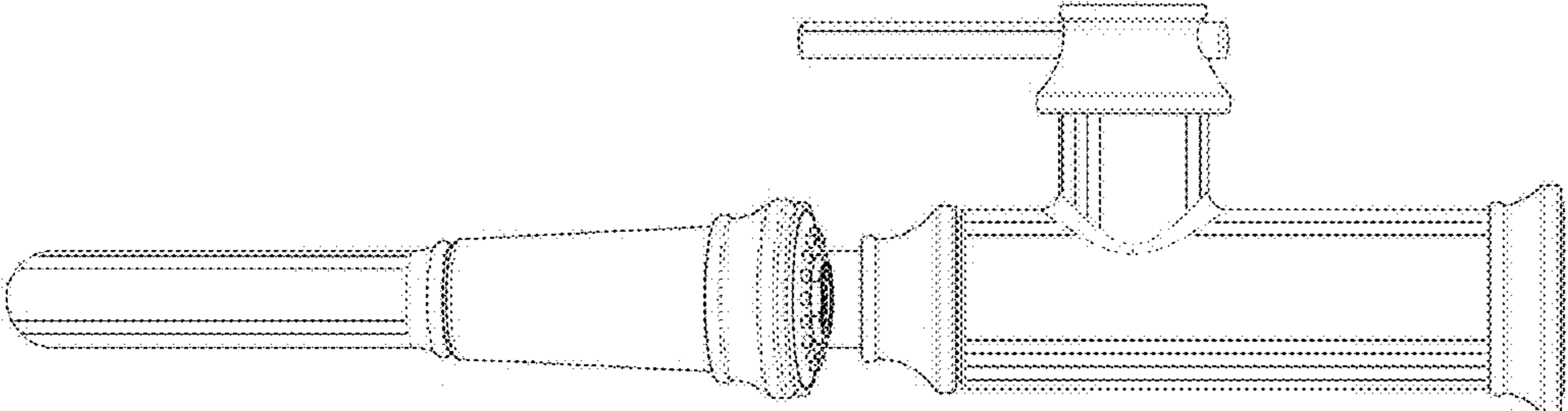


FIG. 4

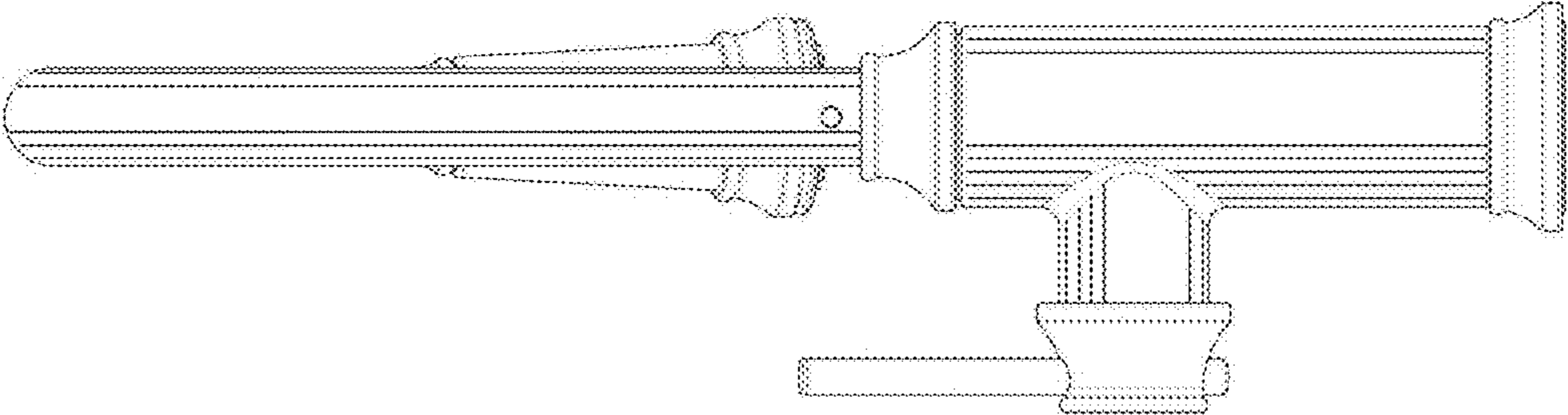


FIG. 5

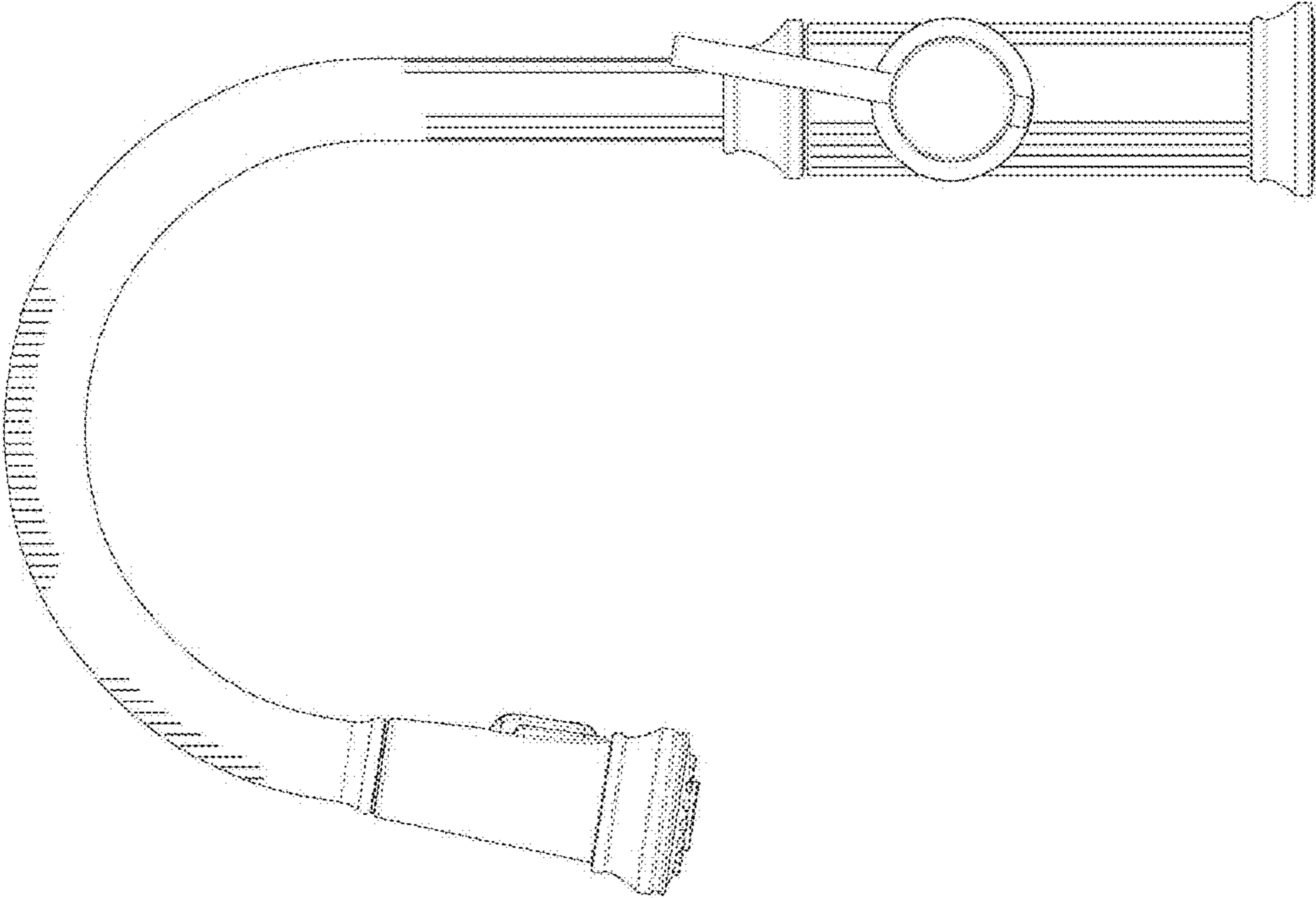


FIG. 6

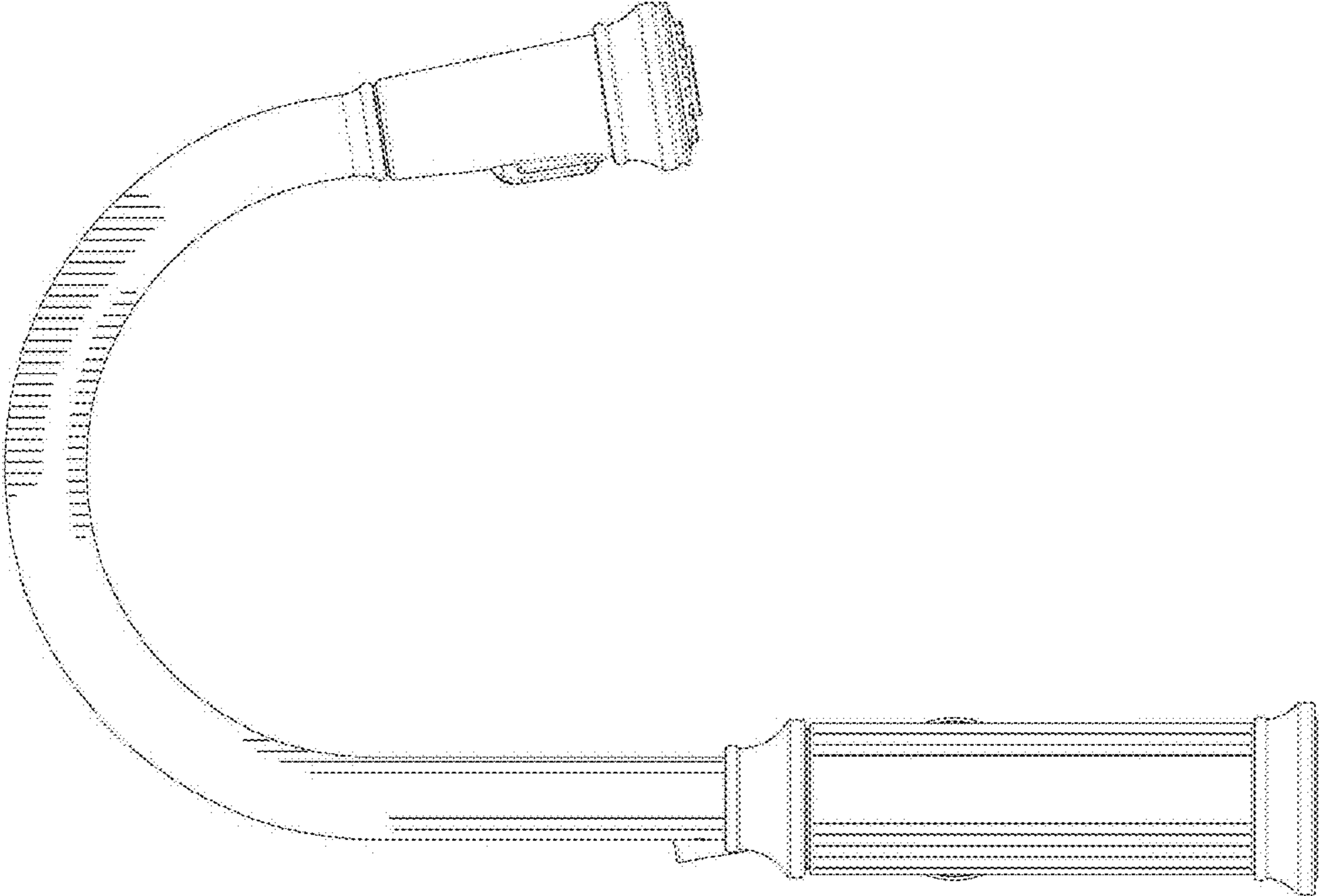


FIG. 7



UNITED STATES PATENT AND TRADEMARK OFFICE  
**CERTIFICATE OF CORRECTION**

PATENT NO. : D835,237 S  
APPLICATION NO. : 29/599065  
DATED : December 4, 2018  
INVENTOR(S) : Brigitte Ziemann and Thomas Funke

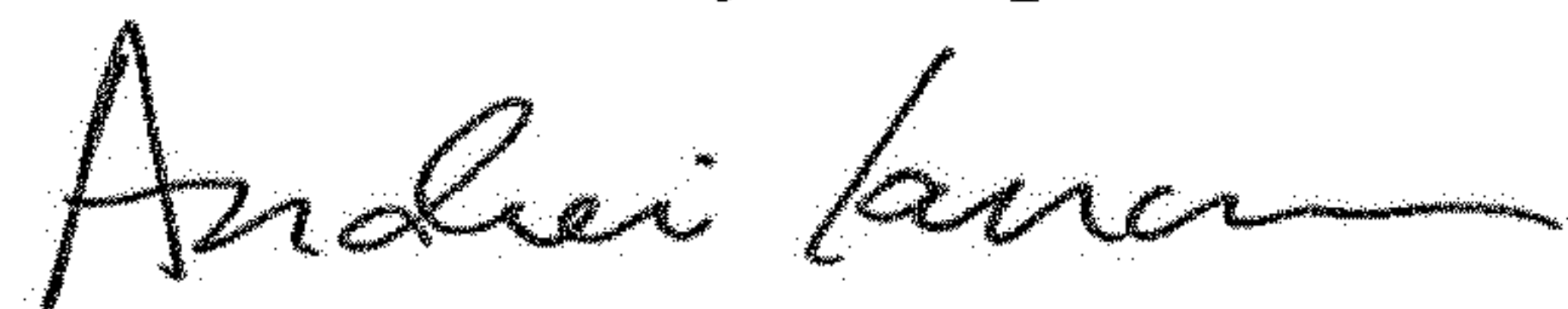
Page 1 of 1

It is certified that error appears in the above-identified patent and that said Letters Patent is hereby corrected as shown below:

On the Title Page

Item (73), "Assignee: BLANCO GmbH+ Co KG" should read "BLANCO GmbH + Co KG".

Signed and Sealed this  
Thirtieth Day of April, 2019



Andrei Iancu  
*Director of the United States Patent and Trademark Office*