



US00D835235S

(12) **United States Design Patent** (10) **Patent No.:** **US D835,235 S**
Gehrung et al. (45) **Date of Patent:** **** Dec. 4, 2018**

(54) **PAINT SPRAY GUN**

459,432 A 9/1891 Anderson
459,433 A 9/1891 Avery
548,816 A 10/1895 Paul

(71) Applicant: **SATA GmbH & Co. KG,**
Kornwestheim (DE)

(Continued)

(72) Inventors: **Ralf Gehrung,** Stuttgart (DE);
Albrecht Kruse, Stuttgart (DE)

FOREIGN PATENT DOCUMENTS

(73) Assignee: **SATA GMBH & CO. KG,**
Kornwestheim (DE)

AT 153883 6/1997
AT 163577 3/1998

(Continued)

(**) Term: **15 Years**

OTHER PUBLICATIONS

(21) Appl. No.: **29/618,945**

Printout from Internet www.ehow.com explaining how to choose a spray gun and stating in item 2 "Nozzle sizes vary between about 1 mm and 2 mm.", printed Sep. 7, 2012 (Exhibit 1023 in IPR 2013-0111).

(22) Filed: **Sep. 26, 2017**

(Continued)

Related U.S. Application Data

(62) Division of application No. 29/579,824, filed on Oct. 4, 2016, now Pat. No. Des. 798,419, which is a division of application No. 29/516,082, filed on Jan. 29, 2015, now Pat. No. Des. 770,593.

Primary Examiner — Robin V Webster

(74) *Attorney, Agent, or Firm* — Paul D. Bianco; Lourdes Perez; Fleit Gibbons Gutman Bongini & Bianco, PL

(30) **Foreign Application Priority Data**

Jul. 31, 2014 (CN) 2014 3 0266803

(51) **LOC (11) Cl.** **23-01**

(52) **U.S. Cl.**
USPC **D23/226**

(58) **Field of Classification Search**
USPC D23/213, 223, 226
CPC B05B 1/00; B05B 9/01; B05B 9/03; B05B 1/005; B05B 5/1691; B05B 5/043; B05B 5/025

See application file for complete search history.

(57) **CLAIM**

The ornamental design for a paint spray gun, as shown and described.

DESCRIPTION

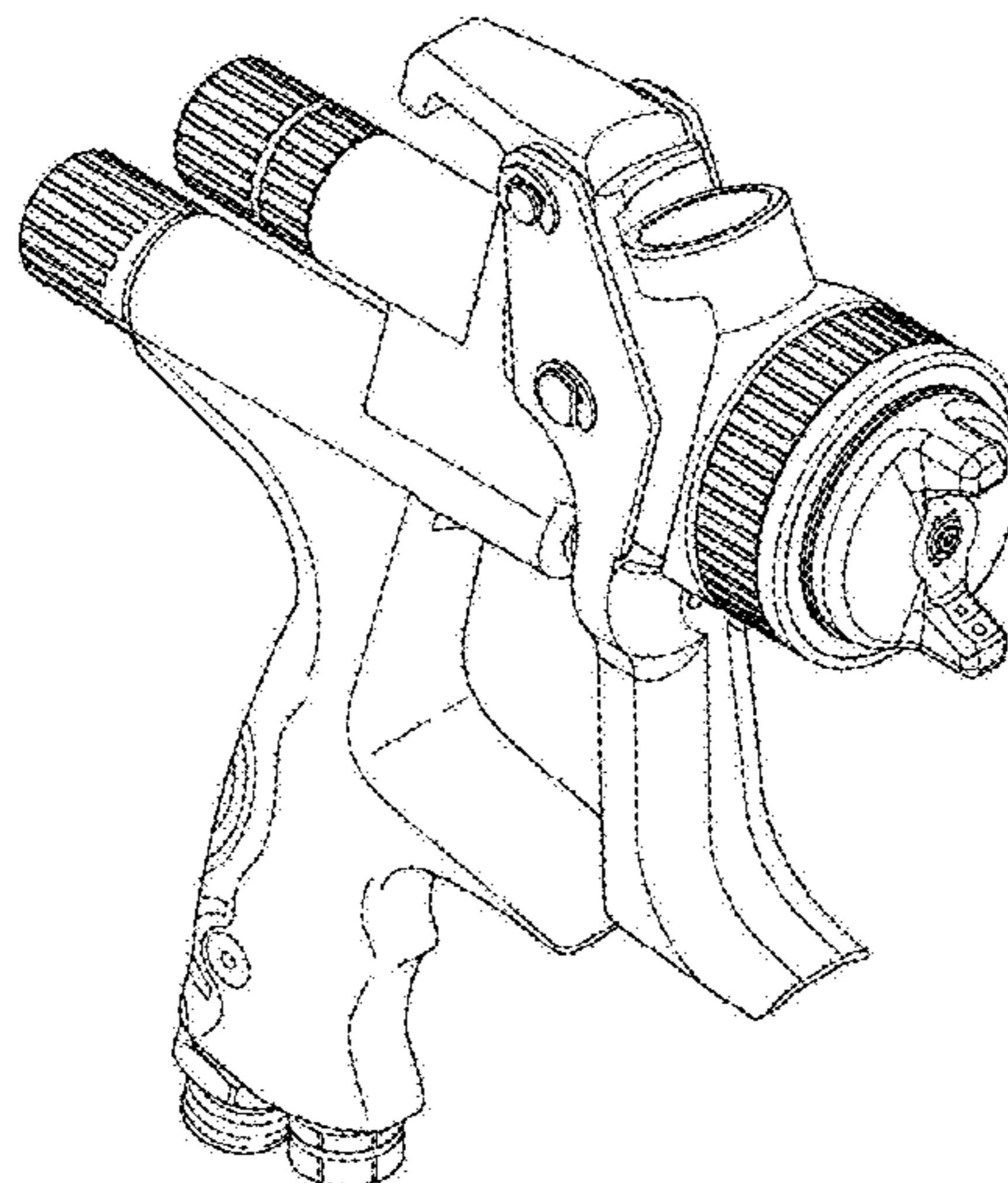
FIG. 1 is a first perspective view of a paint spray gun according to the present invention;
FIG. 2 is a second perspective view of the paint spray gun of FIG. 1;
FIG. 3 is a front view of the paint spray gun of FIG. 1;
FIG. 4 is a back view of the paint spray gun of FIG. 1;
FIG. 5 is a first side view of the paint spray gun of FIG. 1;
FIG. 6 is a top view of the paint spray gun of FIG. 1;
FIG. 7 is a bottom view of the paint spray gun of FIG. 1; and,
FIG. 8 is a second side view of the paint spray gun of FIG. 1.

(56) **References Cited**

U.S. PATENT DOCUMENTS

40,433 A 10/1863 Sees
327,260 A 9/1885 Hart

1 Claim, 6 Drawing Sheets



(56)

References Cited

U.S. PATENT DOCUMENTS

552,213 A	12/1895	Troy	D278,543 S	4/1985	Gintz
552,715 A	1/1896	Lugrin	4,545,536 A	10/1985	Avidon
563,505 A	7/1896	McCornack	4,562,965 A	1/1986	Ihmels et al.
581,107 A	4/1897	Emery	4,580,035 A	4/1986	Luscher
644,803 A	3/1900	Justi	4,585,168 A	4/1986	Even et al.
672,012 A	4/1901	Ruper	4,614,300 A	9/1986	Falcoff
574,880 A	5/1901	Schmidt et al.	4,643,330 A	2/1987	Kennedy
1,662,496 A	3/1928	Forsgard	4,653,661 A	3/1987	Buchner et al.
1,703,383 A	2/1929	Birkenmaier	4,667,878 A	5/1987	Behr
1,703,384 A	2/1929	Birkenmaier	4,713,257 A	12/1987	Luttermoeller
1,711,221 A	4/1929	Blakeslee	D293,950 S	1/1988	Ogden et al.
1,751,787 A	3/1930	Binks	4,730,753 A	3/1988	Grime
1,889,201 A	11/1932	Holveck	4,767,057 A	8/1988	Degli et al.
2,008,381 A	7/1935	Beeg	D298,372 S	11/1988	Taylor, Jr.
2,049,700 A	8/1936	Gustafsson	4,784,184 A	11/1988	Gates
2,051,210 A	8/1936	Gustafsson	4,806,736 A	2/1989	Schirico
2,070,696 A	2/1937	Tracy	4,826,539 A	5/1989	Harpold
2,116,036 A	5/1938	Money	4,832,232 A	5/1989	Broccoli
2,125,445 A	8/1938	Holveck	4,863,781 A	9/1989	Kronzer
2,198,441 A	4/1940	Lobegott	4,877,144 A	10/1989	Thanisch
2,204,599 A	6/1940	Jenkins	D305,057 S	12/1989	Morgan
2,269,057 A	1/1942	Jenkins	4,887,747 A	12/1989	Ostrowsky et al.
D133,223 S	7/1942	Tammen	4,901,761 A	2/1990	Taylor
2,356,865 A	8/1944	Mason	4,906,151 A	3/1990	Kubis
2,416,856 A	3/1947	Thomsen	4,917,300 A	4/1990	Gloviak et al.
2,416,923 A	3/1947	Jenkins	4,946,075 A	8/1990	Lundback
2,557,593 A	6/1951	Bjorkman	4,964,361 A	10/1990	Aebersold
2,557,606 A	6/1951	Liedberg	4,967,600 A	11/1990	Keller
2,559,091 A	7/1951	Reasenberg	4,969,603 A	11/1990	Norman
2,609,961 A	9/1952	Sapient	4,973,184 A	11/1990	La Salle
2,612,899 A	10/1952	Webb	D314,421 S	2/1991	Tajima et al.
2,646,314 A	7/1953	Peeps	D314,588 S	2/1991	Denham
2,721,004 A	10/1955	Schultz	4,989,787 A	2/1991	Nikkel et al.
2,844,267 A	7/1958	Petriccione	5,020,700 A	6/1991	Krzywdziak et al.
2,886,252 A	5/1959	Ehrensperger	D318,877 S	8/1991	Miranda et al.
3,090,530 A	5/1963	Peeps	5,042,840 A	8/1991	Rieple et al.
D196,477 S	10/1963	Kelly	D321,597 S	11/1991	Cerny
3,159,472 A	12/1964	Revell	5,064,119 A	11/1991	Mellette
D200,594 S	3/1965	Sass	5,071,074 A	12/1991	Lind
3,240,398 A	3/1966	Dalton, Jr.	5,074,334 A	12/1991	Onodera
D204,306 S	4/1966	Hamm	5,078,323 A	1/1992	Frank
D205,760 S	9/1966	Hocutt et al.	5,080,285 A	1/1992	Toth
D208,903 S	10/1967	Zadron et al.	5,088,648 A	2/1992	Schmon
3,344,992 A	10/1967	Norris	5,090,623 A	2/1992	Burns et al.
3,381,845 A	5/1968	MacDonald	5,102,045 A	4/1992	Diana
3,417,650 A	12/1968	Varrin	5,119,992 A	6/1992	Grime
3,420,106 A	1/1969	Keller et al.	5,125,391 A	6/1992	Srivastava et al.
3,435,683 A	4/1969	Keller et al.	5,135,124 A	8/1992	Wobser
3,482,781 A	12/1969	Sharpe	5,143,102 A	9/1992	Blaul
D217,928 S	6/1970	Felske	5,165,605 A	11/1992	Morita et al.
3,524,589 A	8/1970	Pelton, Jr.	5,170,941 A	12/1992	Morita et al.
3,527,372 A	9/1970	Manning	5,190,219 A	3/1993	Copp, Jr.
3,583,632 A	6/1971	Schaffer	5,191,797 A	3/1993	Smith
3,622,078 A	11/1971	Gronert	5,228,488 A	7/1993	Fletcher
3,645,562 A	2/1972	Fandetti et al.	5,232,299 A	8/1993	Hiss
3,656,493 A	4/1972	Black et al.	5,236,128 A	8/1993	Morita et al.
3,714,967 A	2/1973	Zupan et al.	5,249,746 A	10/1993	Kaneko et al.
3,746,253 A	7/1973	Walberg	D341,186 S	11/1993	Albers
3,747,850 A	7/1973	Hastings et al.	5,289,974 A	3/1994	Grime et al.
3,771,539 A	11/1973	De Santis	5,322,221 A	6/1994	Anderson
3,840,143 A	10/1974	Davis et al.	5,325,473 A	6/1994	Monroe et al.
3,848,807 A	11/1974	Partida	5,332,156 A	7/1994	Wheeler
3,857,511 A	12/1974	Govindan	5,333,506 A	8/1994	Smith et al.
3,870,223 A	3/1975	Wyant	5,333,908 A	8/1994	Dorney et al.
3,873,023 A	3/1975	Moss et al.	5,344,078 A	9/1994	Fritz et al.
4,000,915 A	1/1977	Strom	5,367,148 A	11/1994	Storch et al.
D245,048 S	7/1977	Pool	D353,836 S	12/1994	Carvelli et al.
D252,097 S	6/1979	Probst et al.	5,381,962 A	1/1995	Teague
4,160,525 A	7/1979	Wagner	5,435,491 A	7/1995	Sakuma
4,171,091 A	10/1979	van Hardeveld et al.	5,443,642 A	8/1995	Bienduga
4,210,263 A	7/1980	Bos	5,456,414 A	10/1995	Burns et al.
4,273,293 A	6/1981	Hastings	D365,952 S	1/1996	Gagnon et al.
4,411,387 A	10/1983	Stern et al.	5,503,439 A	4/1996	LaJeunesse et al.
4,478,370 A	10/1984	Hastings	5,533,674 A	7/1996	Feyrer et al.
D276,472 S	11/1984	Harrison	5,540,385 A	7/1996	Garlick
			5,540,386 A	7/1996	Roman
			D376,637 S	12/1996	Kieffer
			5,582,350 A	12/1996	Kosmyna et al.
			5,584,899 A	12/1996	Shorts

(56)

References Cited

U.S. PATENT DOCUMENTS

5,588,562 A	12/1996	Sander et al.	6,675,845 B2	1/2004	Volpenheim et al.
5,592,597 A	1/1997	Kiss	6,692,118 B2	2/2004	Michele et al.
5,609,302 A	3/1997	Smith	6,712,292 B1	3/2004	Gosis et al.
5,613,637 A	3/1997	Schmon	6,717,584 B2	4/2004	Kulczycka
D380,301 S	7/1997	Kogutt	6,732,751 B2	5/2004	Chiang
5,655,714 A	8/1997	Kieffer et al.	6,763,964 B1	7/2004	Hurlbut et al.
5,662,444 A	9/1997	Schmidt, Jr.	6,766,763 B2	7/2004	Crum et al.
5,695,125 A	12/1997	Kumar	6,786,345 B2	9/2004	Richards
5,704,381 A	1/1998	Millan et al.	6,796,514 B1	9/2004	Schwartz
5,718,767 A	2/1998	Crum et al.	6,801,211 B2	10/2004	Forsline et al.
D391,403 S	3/1998	Josephs	6,820,824 B1	11/2004	Joseph et al.
RE35,769 E	4/1998	Grime et al.	6,843,390 B1	1/2005	Bristor
5,755,363 A	5/1998	Gantner et al.	6,845,924 B2	1/2005	Schmon
5,762,228 A	6/1998	Morgan et al.	6,855,173 B2	2/2005	Ehrnsperger et al.
5,803,360 A	9/1998	Spitznagel	6,863,310 B1	3/2005	Petkovsek
5,816,501 A	10/1998	LoPresti et al.	6,863,920 B2	3/2005	Crum et al.
5,836,517 A	11/1998	Burns et al.	6,874,656 B2	4/2005	Rohr et al.
D402,820 S	12/1998	Morison et al.	6,874,664 B1	4/2005	Montgomery
5,843,515 A	12/1998	Crum et al.	6,874,708 B2	4/2005	Reetz, III
5,853,014 A	12/1998	Rosenauer	6,877,677 B2	4/2005	Schmon et al.
D405,503 S	2/1999	Edo	6,929,019 B2	8/2005	Weinmann et al.
5,874,680 A	2/1999	Moore	6,945,429 B2	9/2005	Gosis et al.
5,884,006 A	3/1999	Frohlich et al.	6,955,180 B2	10/2005	Kocherlakota et al.
D409,719 S	5/1999	Kaneko	6,962,432 B2	11/2005	Hofeldt
5,941,461 A	8/1999	Akin et al.	6,963,331 B1	11/2005	Kobayashi et al.
5,951,190 A	9/1999	Wilson	7,017,838 B2	3/2006	Schmon
5,951,296 A	9/1999	Klein	7,018,154 B2	3/2006	Schmon
5,954,268 A	9/1999	Joshi et al.	D519,687 S	4/2006	Zahav
D414,636 S	10/1999	Wiese	7,032,839 B2	4/2006	Blette et al.
5,979,797 A	11/1999	Castellano	7,036,752 B1	5/2006	Hsiang
5,992,763 A	11/1999	Smith et al.	7,083,119 B2	8/2006	Bouic et al.
6,006,930 A	12/1999	Dreyer et al.	7,090,148 B2	8/2006	Petrie et al.
6,010,082 A	1/2000	Peterson	7,097,118 B1	8/2006	Huang
6,017,394 A	1/2000	Crum et al.	D528,192 S	9/2006	Nicholson
6,019,294 A	2/2000	Anderson	7,106,343 B1	9/2006	Hickman
6,036,109 A	3/2000	DeYoung	7,165,732 B2	1/2007	Kosmyna et al.
6,039,218 A	3/2000	Beck	7,172,139 B2	2/2007	Bouic et al.
6,053,429 A	4/2000	Chang	7,175,110 B2	2/2007	Vicentini
6,056,213 A	5/2000	Ruta et al.	7,182,213 B2	2/2007	King
6,089,471 A	7/2000	Scholl	D538,050 S	3/2007	Tardif
6,089,607 A	7/2000	Keeney et al.	D538,493 S	3/2007	Zimmerle et al.
6,091,053 A	7/2000	Aonuma	D538,886 S	3/2007	Huang
6,092,740 A	7/2000	Liu	7,194,829 B2	3/2007	Boire et al.
6,132,511 A	10/2000	Crum et al.	D541,053 S	4/2007	Sanders
D435,379 S	12/2000	Nguyen	D541,088 S	4/2007	Nesci
6,250,567 B1	6/2001	Lewis et al.	7,201,336 B2	4/2007	Blette et al.
6,276,616 B1	8/2001	Jenkins	7,216,813 B2	5/2007	Rogers
D448,451 S	9/2001	Turnbull et al.	D545,943 S	7/2007	Rodgers et al.
6,308,991 B1	10/2001	Royer	7,246,713 B2	7/2007	King
D457,599 S	5/2002	Karwoski	7,249,519 B2	7/2007	Rogers
D459,432 S	6/2002	Schmon	D548,816 S	8/2007	Schmon
D459,433 S	6/2002	Schmon	7,255,293 B2	8/2007	Dodd
6,402,058 B2	6/2002	Kaneko et al.	D551,321 S *	9/2007	Huang D23/226
6,402,062 B1	6/2002	Bending et al.	7,264,131 B2	9/2007	Tsutsumi et al.
6,431,466 B1	8/2002	Kitajima	D552,213 S	10/2007	Schmon
6,435,426 B1	8/2002	Copp, Jr.	D552,715 S	10/2007	Schmon
6,442,276 B1	8/2002	Doljaek	D554,703 S	11/2007	Josephson
6,450,422 B1	9/2002	Maggio	D563,505 S	3/2008	Schmon
6,494,387 B1	12/2002	Kaneko	7,374,111 B2	5/2008	Joseph et al.
6,536,684 B1	3/2003	Wei	D571,463 S	6/2008	Chesnin
6,536,687 B1	3/2003	Nevis	7,384,004 B2	6/2008	Rogers
D472,730 S	4/2003	Sparkowski	RE40,433 E	7/2008	Sata
6,540,114 B1	4/2003	Popovich et al.	D573,227 S	7/2008	Mirazita et al.
6,543,632 B1	4/2003	McIntyre et al.	D574,926 S	8/2008	Huang
6,547,884 B1	4/2003	Crum et al.	D575,374 S	8/2008	Huang
6,553,712 B1	4/2003	Majerowski et al.	7,410,106 B2	8/2008	Escoto, Jr. et al.
6,554,009 B1	4/2003	Beijbom et al.	7,416,140 B2	8/2008	Camilleri et al.
D474,528 S	5/2003	Huang	7,422,164 B2	9/2008	Matsumoto
6,585,173 B2	7/2003	Schmon et al.	D579,213 S	10/2008	Aipa
6,595,441 B2	7/2003	Petrie et al.	D581,107 S	11/2008	Schmon
6,626,382 B1	9/2003	Liu	D581,483 S	11/2008	Bass et al.
6,626,383 B1	9/2003	Campbell	D583,013 S	12/2008	Wang
6,647,997 B2	11/2003	Mohn	7,458,612 B1	12/2008	Bennett
6,661,438 B1	12/2003	Shiraishi et al.	D588,231 S	3/2009	Pellin
D485,685 S	1/2004	Zupkofska et al.	7,533,678 B2	5/2009	Rosa
			7,540,434 B2	6/2009	Gohring et al.
			7,542,032 B2	6/2009	Kruse
			7,568,638 B2	8/2009	Gehring
			D604,394 S	11/2009	Wang

(56)

References Cited

U.S. PATENT DOCUMENTS

7,614,571 B2	11/2009	Camilleri et al.	9,073,068 B2	7/2015	Krayer et al.
D607,086 S	12/2009	Kosaka	D737,126 S	8/2015	Tschan
7,624,869 B2	12/2009	Primer	D740,393 S *	10/2015	Gehrung D23/226
D607,972 S	1/2010	Wang	D745,636 S	12/2015	Lin
D608,858 S	1/2010	Baltz et al.	D757,216 S	5/2016	Gherung
D614,731 S *	4/2010	Wang B05B 9/01 D23/226	D758,533 S	6/2016	Dettlaff
7,694,893 B2	4/2010	Zittel et al.	D758,537 S	6/2016	Gehrung
7,694,896 B2	4/2010	Turnbull et al.	9,427,758 B2 *	8/2016	Kosaka B05B 9/01
D615,586 S	5/2010	Kudimi	D768,820 S	10/2016	Binz
D616,022 S	5/2010	Kudimi	9,476,786 B2 *	10/2016	Hata G01L 19/00
D616,527 S	5/2010	Anderson et al.	D770,593 S *	11/2016	Gehrung D23/226
7,765,876 B1	8/2010	Chen	D778,405 S *	2/2017	Wang D23/226
D624,668 S	9/2010	Noppe	D792,557 S *	7/2017	Wang D23/226
7,810,744 B2	10/2010	Schmon et al.	D794,755 S *	8/2017	Wang D23/226
7,819,341 B2	10/2010	Schmon et al.	D794,756 S *	8/2017	Wang D23/226
D627,039 S	11/2010	Yu	9,878,336 B2	1/2018	Gehrung
D627,432 S	11/2010	Escoto et al.	2001/0004996 A1	6/2001	Schmon
7,823,806 B2	11/2010	Schmon	2001/0040192 A1	11/2001	Kaneko et al.
D629,623 S	12/2010	Lampe	2002/0134861 A1	9/2002	Petrie et al.
7,856,940 B2	12/2010	Wendler	2002/0148501 A1	10/2002	Shieh
7,913,938 B2	3/2011	Cooper	2002/0170978 A1	11/2002	Mohn
7,922,107 B2	4/2011	Fox	2003/0025000 A1	2/2003	Schmon et al.
D637,269 S	5/2011	Wang	2003/0066218 A1	4/2003	Schweikert
D638,121 S	5/2011	Villasana	2003/0121476 A1	7/2003	McIntyre et al.
D639,863 S	6/2011	Langan	2003/0127046 A1	7/2003	Zehner et al.
D641,067 S *	7/2011	Wang D23/226	2003/0164408 A1	9/2003	Schmon
D644,716 S *	9/2011	Gehrung D23/226	2003/0177979 A1	9/2003	Crum et al.
D644,803 S	9/2011	Schmon	2003/0189105 A1	10/2003	Schmon
D645,094 S	9/2011	Langan	2003/0209568 A1	11/2003	Douglas et al.
8,042,402 B2	10/2011	Brown et al.	2003/0213857 A1	11/2003	Schmon et al.
D649,196 S	11/2011	Langan	2003/0218596 A1	11/2003	Eschler
8,052,071 B2	11/2011	Kruse	2003/0230636 A1	12/2003	Rogers
D655,347 S	3/2012	Gehrung	2004/0046051 A1	3/2004	Santa Cruz et al.
8,127,963 B2	3/2012	Gerson et al.	2004/0050432 A1	3/2004	Breda
D657,276 S	4/2012	Brose	2004/0104194 A1	6/2004	Dennison
D661,492 S	6/2012	Ranschau	2004/0129738 A1	7/2004	Stukas
D661,742 S	6/2012	Clark	2004/0140373 A1	7/2004	Joseph et al.
D663,960 S	7/2012	Jeronimo	2004/0155063 A1	8/2004	Hofeldt
8,225,892 B2	7/2012	Ben-Tzvi	2004/0177890 A1	9/2004	Weinmann
D664,773 S	8/2012	Papin	2004/0191406 A1	9/2004	Crum et al.
8,240,579 B1	8/2012	Bennett	2004/0217201 A1	11/2004	Ruda
8,297,536 B2	10/2012	Ruda	2004/0233223 A1	11/2004	Schkolne et al.
D670,085 S	11/2012	Brookman	2004/0245208 A1	12/2004	Dennison
D671,988 S	12/2012	Leipold	2005/0056613 A1	3/2005	King
D672,012 S *	12/2012	Brose D23/226	2005/0082249 A1	4/2005	King
D674,880 S	1/2013	Schmon	2005/0127201 A1	6/2005	Matsumoto
8,352,744 B2	1/2013	Kruse	2005/0145723 A1	7/2005	Blette et al.
8,360,345 B2	1/2013	Micheli	2005/0145724 A1	7/2005	Blette et al.
D681,162 S	4/2013	Kruse	2005/0178854 A1	8/2005	Dodd
8,444,067 B2	5/2013	Schmon et al.	2005/0220943 A1	10/2005	Abrams et al.
8,454,759 B2	6/2013	Selsvik	2005/0248148 A1	11/2005	Schenck et al.
8,481,124 B2	7/2013	Nolte et al.	2005/0252993 A1	11/2005	Rogers
D689,590 S	9/2013	Brose	2005/0252994 A1	11/2005	Rogers
D689,593 S	9/2013	Schmon	2005/0268949 A1	12/2005	Rosa
D690,799 S *	10/2013	Maier D23/226	2005/0284963 A1	12/2005	Reedy
D692,530 S	10/2013	Gehrung	2006/0000927 A1	1/2006	Ruda
D692,532 S	10/2013	Li et al.	2006/0007123 A1	1/2006	Wilson et al.
8,616,434 B2	12/2013	Wilen	2006/0048803 A1	3/2006	Jessup et al.
D697,584 S	1/2014	Schmon	2006/0081060 A1	4/2006	Forster
D698,008 S	1/2014	Schmon et al.	2006/0113409 A1	6/2006	Camilleri et al.
8,626,674 B2	1/2014	Whitehouse	2006/0171771 A1	8/2006	Kruse
8,642,131 B2	2/2014	Nolte et al.	2006/0192377 A1	8/2006	Bauer et al.
D704,300 S	5/2014	Li	2006/0196891 A1	9/2006	Gerson et al.
8,757,182 B2	6/2014	Schmon	2007/0029788 A1	2/2007	Adler
8,807,460 B2	8/2014	Charpie et al.	2007/0055883 A1	3/2007	Kruse
8,857,732 B2	10/2014	Brose	2007/0131795 A1	6/2007	Abbate et al.
D720,015 S	12/2014	Kruse	2007/0158349 A1	7/2007	Schmon et al.
D720,041 S	12/2014	Robinson	2007/0205305 A1	9/2007	Vagedes
8,899,501 B2	12/2014	Fox et al.	2007/0221754 A1	9/2007	Gehrung
D721,785 S	1/2015	Gehrung	2007/0252378 A1	11/2007	Chambers
8,925,836 B2	1/2015	Dettlaff	2008/0011879 A1	1/2008	Gerson et al.
D733,369 S	6/2015	Tschan	2008/0019789 A1	1/2008	Dunaway et al.
D733,453 S	7/2015	Tschan	2008/0029619 A1	2/2008	Gohring et al.
D734,571 S	7/2015	Tschan	2008/0128533 A1	6/2008	Gehrung
			2008/0179763 A1	7/2008	Schmon et al.
			2008/0251977 A1	10/2008	Naruse et al.
			2008/0264892 A1	10/2008	Nozawa
			2008/0272213 A1	11/2008	Ting
			2008/0296410 A1	12/2008	Carey et al.

(56)

References Cited

U.S. PATENT DOCUMENTS

2009/0014557	A1	1/2009	Schmon et al.
2009/0026290	A1	1/2009	Fox
2009/0045623	A1	2/2009	Schmon
2009/0072050	A1	3/2009	Ruda
2009/0078789	A1	3/2009	Kruse
2009/0078790	A1	3/2009	Camilleri et al.
2009/0143745	A1	6/2009	Langan et al.
2009/0183516	A1	7/2009	Appler et al.
2009/0235864	A1	9/2009	Khoury et al.
2009/0266915	A1	10/2009	Fedorov
2010/0021646	A1	1/2010	Nolte et al.
2010/0059533	A1	3/2010	Unger et al.
2010/0084493	A1	4/2010	Troudt
2010/0108783	A1	5/2010	Joseph et al.
2010/0126541	A1	5/2010	Schmon
2010/0206963	A1	8/2010	Huang
2011/0024524	A1	2/2011	Fox
2011/0125607	A1	5/2011	Wilen
2011/0121103	A1	6/2011	Carleton et al.
2011/0127767	A1	6/2011	Wicks et al.
2011/0168811	A1	7/2011	Fox et al.
2011/0174901	A1	7/2011	Dettlaff et al.
2012/0012671	A1	1/2012	Brose et al.
2012/0097762	A1	4/2012	Gehrung et al.
2012/0132550	A1	5/2012	Gerson et al.
2012/0160935	A1	6/2012	Krayer et al.
2012/0187220	A1	7/2012	Micheli et al.
2013/0056556	A1	3/2013	Schmon et al.
2013/0074864	A1	3/2013	Nuzzo et al.
2013/0266734	A1	10/2013	Nolte et al.
2013/0320110	A1	12/2013	Brose et al.
2014/0048627	A1	2/2014	Schmon et al.
2014/0059905	A1	3/2014	Raming
2014/0145003	A1	5/2014	Schmon et al.
2014/0305962	A1	10/2014	Tschan
2015/0165463	A1	6/2015	Gehrung
2015/0231655	A1	8/2015	Adams et al.
2016/0030960	A1	2/2016	Gehrung
2018/0133727	A1	5/2018	Schmon et al.

FOREIGN PATENT DOCUMENTS

AT	250467	10/2003
AT	322645	4/2006
AT	383910	2/2008
AT	461752	4/2010
AT	461753	4/2010
AT	475488	8/2010
AU	637187	5/1993
AU	2002352235	9/2003
AU	2004315547	8/2005
AU	2005205899	8/2005
AU	2011257605	11/2012
AU	2011361295	5/2013
CA	521511	2/1956
CA	2126957	1/1995
CA	2277096	7/1998
CA	2445183	10/2002
CA	2552390	8/2005
CA	2555607	8/2005
CA	2690112	5/2009
CA	2797990	12/2011
CA	2812684	9/2012
CA	102917803	2/2013
CA	2850401	5/2013 A1
CH	203 668	6/1939
CH	542104	9/1973 A
CH	676208	12/1990
CN	2136077	6/1993 Y
CN	1902002	1/2007
CN	1909970	2/2007
CN	1909971	2/2007
CN	1917960	2/2007
CN	200954482	10/2007
CN	101125316	2/2008

CN	100430150	11/2008
CN	100455360	1/2009
CN	101367066	2/2009
CN	100478080	4/2009
CN	101646500	2/2010
CN	102211070	4/2011
CN	102211069	10/2011
CN	203508251	4/2014 U
DE	460381	5/1928
DE	510362	10/1930
DE	611325	3/1935 C
DE	1425890	11/1968
DE	2559036	9/1976
DE	2653981	6/1978
DE	2950341	7/1980
DE	2926286	1/1981 A1
DE	3016419	11/1981
DE	8024829.9	9/1982
DE	3111571	10/1982 A1
DE	34 02 097	8/1985
DE	3402945	8/1985 A1
DE	3517122	5/1986
DE	3505618	8/1986
DE	3526819	2/1987
DE	3016419	8/1987 C2
DE	8702559	10/1987
DE	3708472	10/1988 A1
DE	8902223	5/1989
DE	3742308	6/1989
DE	8905681	11/1989
DE	G 90 01 265	5/1990
DE	3906219	8/1990
DE	4302911	8/1993
DE	4230535	3/1994
DE	G 94 16 015.5	11/1994 U1
DE	4321940	1/1995
DE	19516485	11/1996
DE	19727884	2/1999
DE	69505433	4/1999 T2
DE	19807973	7/1999
DE	19824264	12/1999
DE	19832990	1/2000
DE	20000483	8/2000
DE	10004105	10/2000
DE	19958569	2/2001
DE	199 41 362	3/2001
DE	199 45 760	3/2001
DE	19945760	3/2001
DE	10031857	1/2002
DE	10031858	1/2002
DE	20114257	2/2002
DE	10059406	6/2002
DE	10135104	9/2002
DE	102 05 831	8/2003
DE	10205831	8/2003
DE	10311238	10/2004
DE	10 2004 027 789	2/2005
DE	29825120	2/2005
DE	102004027789	2/2005 A1
DE	20320781	6/2005
DE	10 2004 014 646	7/2005
DE	10 2004 003 438	8/2005
DE	102004003439	8/2005
DE	10 2004 007 733	9/2005
DE	10 2004 021 298	11/2005
DE	69535077	11/2006 T2
DE	202007001031	3/2007
DE	60200500 1173	8/2007
DE	60206956	8/2008 T2
DE	102007006547	8/2008
DE	102007039106	2/2009
DE	102007052067	5/2009
DE	20 2010 012 449	12/2010 U1
DE	202010012449	12/2010
DE	102009032399	1/2011 A1
DE	102009053449	2/2011
DE	102010060086	4/2012
DE	102011106060	1/2013
DE	102011118120	5/2013

(56)

References Cited

FOREIGN PATENT DOCUMENTS

EP	0092392	10/1983
EP	0313958 A2	5/1989
EP	524408	1/1993
EP	567325	10/1993
EP	0631821	1/1995
EP	0650766	5/1995
EP	0650766 A2	5/1995
EP	678334	10/1995
EP	0706832	4/1996
EP	0710506	5/1996
EP	801002	10/1997
EP	987060	3/2000
EP	1081639	3/2001
EP	1106262	6/2001
EP	1247586	10/2002
EP	1277519	1/2003
EP	1294490	3/2003
EP	1299194	4/2003
EP	1366823	12/2003
EP	1412669	4/2004
EP	1424135	6/2004
EP	1477232 A1	11/2004
EP	1479447 A1	11/2004
EP	1504823 A1	2/2005
EP	1563913	8/2005
EP	1574262	9/2005
EP	1602412	12/2005
EP	1658902 A1	5/2006
EP	1708822	10/2006
EP	1708823	10/2006
EP	1718415	11/2006
EP	1880771 A1	1/2008
EP	1902766 A1	3/2008
EP	1902786	3/2008
EP	1902876	3/2008
EP	1930084	6/2008
EP	1964616	9/2008
EP	1964616 A2	9/2008
EP	1997561 A2	12/2008
EP	2017010 A2	1/2009
EP	2027931	2/2009
EP	2092987 A1	8/2009
EP	2106298	10/2009
EP	2111920	10/2009
EP	2490819	8/2012
EP	2576079	4/2013
EP	2608890	7/2013
EP	2 669 213 A1	12/2013
EP	2703089 A1	3/2014
FR	398333	6/1909
FR	789762	11/1935
FR	1410519	9/1964
FR	2444501	7/1980
FR	2462200 A1	2/1981
FR	2 570 140	3/1986
FR	2 774 928	8/1999
FR	2927824 A1	8/2009
GB	190900523	6/1909
GB	2 132 916	7/1984
GB	2153260	8/1985
GB	2372465	8/2002
GB	2411235	8/2005
HK	1100405	6/2009
HK	1096057	7/2009
HK	1125067	8/2012
HK	1138533	11/2012
JP	S49-136868 U	11/1974
JP	S55-107258 U	7/1980
JP	S5654328	5/1981
JP	S57-75246	5/1982
JP	S57128346 A	8/1982
JP	58-119862	5/1983
JP	S5998757	6/1984
JP	S601722	1/1985
JP	H01-87805	6/1989

JP	H0530749	4/1993
JP	H05172678	7/1993
JP	674850	3/1994
JP	H06215741	8/1994
JP	H08196950	8/1996
JP	H08196950 A	8/1996
JP	H09117697	5/1997
JP	11-047643 A	2/1999
JP	2001259487	9/2001
JP	2003042882	2/2002
JP	2003088780	3/2003
JP	2004017044	1/2004
JP	2005138885	6/2005
JP	2007516831	6/2007
JP	2010-528837 A	8/2010
TW	49092	6/2002
TW	491092	6/2002
TW	I220392	8/2004
TW	I303587	12/2008
TW	I309584	5/2009
WO	90/008456	8/1990
WO	91/16610	10/1991
WO	1992/07346	4/1992
WO	9522409	8/1995
WO	1998/32539	7/1998
WO	01/012337	2/2001
WO	2001/12337	2/2001
WO	0166261	9/2001
WO	01/099062	12/2001
WO	02/000355	1/2002
WO	0202242	1/2002
WO	02/018061	3/2002
WO	02/085533	10/2002
WO	03/007252	1/2003
WO	03/045575	6/2003
WO	03/069208	8/2003
WO	03069208 A1	8/2003
WO	04/037433	5/2004
WO	2004/37433	5/2004
WO	04/052552	6/2004
WO	05/018815	3/2005
WO	05/068220	7/2005
WO	05/070557	8/2005
WO	05/070558	8/2005
WO	05/077543	8/2005
WO	05/115631	12/2005
WO	2006065850	6/2006
WO	07/128127	11/2007
WO	2007133386 A2	11/2007
WO	2007/149760 A2	12/2007
WO	2009015260	1/2009
WO	2009015260 A2	1/2009
WO	2009/054986 A1	4/2009
WO	2009056424	5/2009
WO	2010019274 A1	2/2010
WO	2010/044864 A1	4/2010
WO	2011047876	4/2011
WO	2011147555	12/2011
WO	2012119664	9/2012
WO	2013000524	1/2013
WO	2013016474	1/2013
WO	2013/131626 A1	9/2013

OTHER PUBLICATIONS

Printout from Internet www.bodyshopbusiness.com explaining how to choose nozzle setup in paragraph bridging pp. 1 and 2, giving general rule of thumb of nozzle sizes from 1.3 mm to 2.2 mm, depending on material being sprayed, printed Sep. 7, 2012 (Exhibit 1024 in IPR 2013-0111).

Printout from Internet of pages from brochure of Walther Pilot showing nozzle sizes for spray guns ranging from 0.3 mm to 2.5 mm, dated 2007, (Exhibit 1025 in IPR 2013-0111).

Printout from Internet www.alsacorp.com showing in the paragraph bridging pp. 2 and 3, Model VS-7200 Saber LVLP spray gun with nozzle size 1.3 mm with sizes 1.3 to 2.0 available, printed Aug. 26, 2012 (Exhibit 1026 in IPR 2013-0111).

(56)

References Cited

OTHER PUBLICATIONS

Printout from Internet of p. 28 from current 3Mtm brochure showing Tip/Nozzle/Air Cap Selection Guide with nozzle sizes from 0.5 mm to 3.0 mm., (Exhibit 1027 in IPR 2013-0111).

Decision by EPO regarding opposition proceedings to revoke patent No. 99926841.0—2425/ 1108476, corresponding to '387 patent, 2012, (Exhibit 1029 in IPR 2013-0111).

SATA News Publication Dan-Am Jul.-Sep. 1996, (Exhibit 1034 in IPR 2013-0111).

SATA News Publication Dan-Am Oct.-Dec. 1996, (Exhibit 1035 in IPR 2013-0111).

SATA News Publication Dan-Am Apr.-Jun. 1998 (Exhibit 1036 in IPR 2013-0111).

Dan-Am SATA Catalog 6 for spray guns 1991 (Exhibit 1037 in IPR 2013-0111).

Dan-Am SATA Catalog 8 for spray guns 1994 (Exhibit 1038 in IPR 2013-0111).

Dan-Am Catalog 6—51pp published 1991, (Exhibit 1042 in IPR 2013-0111).

Japanese Industrial Standards B 9809 English translation, 1992 (Exhibit 1049 in IPR 2013-0111).

Japanese Industrial Standards B 9809 revised Mar. 1, 1993 (Exhibit 1050 in IPR 2013-0111).

SATA News, vol. 21, 2009 (Exhibit 2010 in IPR 2013-0111).

Collision Hub TV Document (image from video clip) printed Oct. 9, 2013 (Exhibit 2011 in IPR 2013-0111).

MyRielsMe.com document from press release printed Oct. 9, 2013 (Exhibit 2012 in IPR 2013-0111).

How to set Air pressure, Utube screenshot printed Oct. 9, 2013 (Exhibit 2013 in IPR 2013-0111).

Ohio EPA Letty to Tony Larimer, response to letter dated Aug. 2006 (Exhibit 2014 in IPR 2013-0111).

Pinahs Ben-Tzvi et al, A conceptual design . . . , Mechatronics 17 (2007) p. 1-13 (Exhibit 2015 in IPR 2013-0111).

On line ad from Amazon.com printed Oct. 14, 2013 (Exhibit 2017 in IPR 2013-0111).

Rone et al, MEMS-Baed Microdroplet Generation with Integrated Sensing, COMSOL, 2011 (Exhibit 2018 in IPR 2013-0111).

International Search Report dated Jul. 14, 2016 for International Application No. PCT/EP2016/000809, filed May 17, 2016.

Written Opinion for International Application No. PCT/EP2016/000809, filed May 17, 2016.

International Search Report, Written Opinion and International Preliminary Report on Patentability for PCT/EP2004/005381, filed May 19, 2004.

International Search Report, Written Opinion and International Preliminary Report on Patentability for PCT/EP2004/011998, filed Oct. 23, 2004.

International Search Report, Written Opinion and International Preliminary Report on Patentability for PCT/EP2005/000435, filed Jan. 18, 2005.

International Search Report, Written Opinion and International Preliminary Report on Patentability for PCT/EP2005/00437, filed Jan. 18, 2005.

International Search Report, Written Opinion and International Preliminary Report on Patentability for PCT/EP2008/063344, filed Oct. 6, 2008.

International Search Report, Written Opinion and International Preliminary Report on Patentability for PCT/EP2010/002392 filed Apr. 20, 2010.

International Search Report, Written Opinion and International Preliminary Report on Patentability for PCT/EP2011/002544 filed May 21, 2011.

International Search Report, Written Opinion and International Preliminary Report on Patentability for PCT/EP2011/066665 filed Sep. 26, 2011.

International Search Report, Written Opinion and International Preliminary Report on Patentability for PCT/EP2010/003399 filed Jun. 7, 2010.

International Search Report, Written Opinion and International Preliminary Report on Patentability for PCT/EP2011/5842 filed Dec. 2, 2010.

International Search Report, Written Opinion and International Preliminary Report on Patentability for PCT/EP2012/01939 filed May 5, 2012.

International Search Report, Written Opinion and International Preliminary Report on Patentability for PCT/EP2009/06992 filed Sep. 29, 2009.

Internet Archive Wayback Machine [online] [captured Sep. 25, 2012] [retrieved on Sep. 9, 2014] retrieved from the Internet URL:http://web.archive.org/web/20120925210554/http://www.sata.com/index.php?id=sal-check&no_cache=1&L=11.

JP Office Action issued against JP Patent App. 2012-508926 dated Feb. 25, 2014 with English translation.

Notification of the First Office Action with search report dated Aug. 24, 2015 for Chinese Application No. 201280020519.5 (related to U.S. Appl. No. 14/113,649), 13 pages.

Notification of the Second Office Action dated May 16, 2016, for Chinese Application No. 201280020519.5 (related to U.S. Appl. No. 14/113,649), 5 pages.

Japanese Office Action for JP2014-517485 (related to U.S. Appl. No. 14/113,649), dated Jul. 5, 2016, 16 pages.

Second Chinese Office Action dated Jun. 24, 2015 for Chinese Application No. 2011800266029.

Third Chinese Office Action dated Nov. 30, 2015 for Chinese Application No. 2011800266029.

Final Office Action dated Aug. 29, 2016 for U.S. Appl. No. 14/113,649.

Office Action dated Nov. 2, 2016 for U.S. Appl. No. 11/949,122.

Canadian Office Action dated Nov. 21, 2012 for related application CA2741703.

Chinese Search Report dated Dec. 5, 2012 for related application CN200980135429.9.

Chinese Office Action dated Dec. 13, 2012 for related application CN200980135429.9.

German Search Report for DE 20 2008 014 389.6 completed Jul. 13, 2009.

Restriction Requirement Office Action dated Apr. 17, 2017 for U.S. Appl. No. 14/815,210.

Notice of Allowance dated Apr. 10, 2017 for U.S. Appl. No. 29/579,824.

Response to Final Office Action filed May 9, 2017 in U.S. Appl. No. 13/698,417.

Response to Office Action filed May 17, 2017 in U.S. Appl. No. 14/113,649.

Response filed Dec. 21, 2015 to Office Action dated Jul. 20, 2015 for U.S. Appl. No. 14/113,649.

Response to Office Action filed Feb. 16, 2016 for U.S. Appl. No. 13/698,417.

Screen shot of a SATA product (SATAjet B) description retrieved on Feb. 12, 2016 from www.sata.com/index.php.

“The Hot Rolling Process;” California Steel; retrieved on Feb. 12, 2016 from <http://www.californiasteel.com/GetPublicFile.aspx?id=53>.

Office Action dated Feb. 19, 2016 for U.S. Appl. No. 14/113,649.

May 22, 2018 Final Office Action for U.S. App. No. 14/113,649.

Jun. 25, 2018 Response to Office Action for U.S. Appl. No. 14/815,210.

International Preliminary Report on Patentability for PCT/EP2015/001728 filed Aug. 25, 2015.

Final Office Action dated Mar. 16, 2017 from U.S. Appl. No. 13/698,417, 9 pages.

Final Office Action dated Dec. 7, 2017 for U.S. Appl. No. 14/815,210.

Response to Office Action dated Jun. 25, 2018 for U.S. Appl. No. 14/815,210.

Response to Final Office Action dated Aug. 22, 2018 for U.S. Appl. No. 14/113,649.

Notice of Allowance dated Jan. 27, 2016 for Design U.S. Appl. No. 29/510,723.

Response to Restriction Requirement filed in 14/815,210 dated Jun. 19, 2017.

(56)

References Cited

OTHER PUBLICATIONS

- International Search Report dated Aug. 31, 2016 for PCT/EP2016/061057 filed May 18, 2016.
- Written Opinion for PCT/EP2016/061057 filed May 18, 2016.
- Final Office Action dated Feb. 25, 2016 for U.S. Appl. No. 13/698,417.
- Restriction Requirement dated Mar. 25, 2016 for Design U.S. Appl. No. 29/516,082.
- Response filed Mar. 31, 2016 to Office Action dated Dec. 31, 2016 for U.S. Appl. No. 14/572,998.
- German Search Report dated Apr. 21, 2017 for application No. 10 2016 009 957.7.
- Office Action dated Dec. 31, 2015 for U.S. Appl. No. 14/572,998.
- Notice of Allowance dated Jan. 19, 2016 for Design U.S. Appl. No. 29/539,615.
- Notice of Allowance dated Jan. 22, 2016 for U.S. Appl. No. 13/991,285.
- Final Office Action in U.S. Appl. No. 14/113,649 dated Jun. 22, 2017.
- Response filed in U.S. Appl. No. 15/143,698 dated Jul. 3, 2017.
- May 22, 2018 Final Office Action for U.S. Appl. No. 14/113,649.
- Office Action dated Nov. 18, 2014 for U.S. Appl. No. 14/113,649.
- Notice of Allowance dated Nov. 19, 2014 for U.S. Appl. No. 29/486,223.
- Office Action dated Dec. 31, 2014 for U.S. Appl. No. 13/380,949.
- Restriction Requirement dated Jan. 9, 2015 for Design U.S. Appl. No. 29/469,049.
- Response to Office Action filed Dec. 2, 2014 for U.S. Appl. No. 29/487,679.
- Notice of Allowance dated Jan. 15, 2015 for Design U.S. Appl. No. 29/490,620.
- Office Action dated Jan. 14, 2015 for Design U.S. Appl. No. 29/447,887.
- Hercules Paint Gun Washers brochure publish date Jan. 2012, [online], [site visited Jan. 7, 2015], <http://www.herkules.us/pdfs/L00761-Hercules-Gun_Washers-4-page-brochure.pdf>.
- Jetclean GUn Cleaner Terry's Auto Supply, google publish date Aug. 4, 2011, [online], [site visited Jan. 7, 2015], <<http://secure.terrys.net/viewProduct.php?productID=FT.FHAZ1005>>.
- Restriction Requirement dated Feb. 6, 2015 for Design U.S. Appl. No. 29/486,232.
- Office Action dated Mar. 30, 2015 for U.S. Appl. No. 13/698,417.
- Response to Office Action filed Apr. 14, 2015 to Office Action dated Jan. 14, 2015 for U.S. Appl. No. 29/447,887.
- Response filed Jul. 20, 2015 for Office Action dated Mar. 30, 2015 for U.S. Appl. No. 13/698,417.
- Notice of Allowance dated Apr. 30, 2015 for U.S. Appl. No. 29/447,887.
- Chinese Office Action dated Oct. 28, 2014 and Search Report dated Oct. 15, 2014 for Chinese Application No. 2011800266029.
- Australian Examination Report dated Oct. 30, 2012 for Australian Application No. 2010268870.
- Notice of Allowance dated Apr. 24, 2015 for Design U.S. Appl. No. 29/486,232.
- Restriction Requirement dated Jan. 22, 2015 for U.S. Appl. No. 13/698,417.
- Response filed Mar. 23, 2015 to Restriction Requirement dated Jan. 22, 2015 for U.S. Appl. No. 13/698,417.
- Response filed Apr. 6, 2015 to Office Action dated Feb. 6, 2015 for Design U.S. Appl. No. 29/486,232.
- Response filed Mar. 31, 2015 to Office Action dated Dec. 31, 2014 for U.S. Appl. No. 13/380,949.
- Japanese Office Action dated Jun. 11, 2014 for Japanese Patent Application No. 2012-518769.
- Australian Examination Report dated Nov. 11, 2014 for Australian patent Application No. 2011257605.
- Japanese Notice of Allowance dated Jan. 13, 2015 for Japanese Patent Application No. 2012/518769.
- Application filed Dec. 11, 2011 for U.S. Appl. No. 13/380,949.
- Chinese Office Action dated Jan. 28, 2014 and Search Report dated Jan. 21, 2014 for Chinese Application No. 201080030935.4.
- Search Report dated Apr. 24, 2010 for German Application No. 10 2009 032 399.6-51.
- Application filed Oct. 24, 2013 for U.S. Appl. No. 14/113,649.
- Response filed May 18, 2015 to Office Action dated Nov. 18, 2014 for U.S. Appl. No. 14/113,649.
- Application filed Dec. 17, 2014 for U.S. Appl. No. 14/572,998.
- German Search Report dated Mar. 25, 2014 for German Application No. 202013105779-7.
- Application filed Nov. 16, 2012 for U.S. Appl. No. 13/698,417.
- Application filed Jun. 2, 2013 for U.S. Appl. No. 13/991,285.
- English translation of application filed Aug. 13, 2013 for Application filed Jun. 2, 2013 for U.S. Appl. No. 13/991,285.
- Restriction Requirement dated May 27, 2015 for U.S. Appl. No. 13/991,285.
- Application filed Jan. 29, 2015 for Design U.S. Appl. No. 29/516,073.
- Application filed Jan. 29, 2015 for Design U.S. Appl. No. 29/516,082.
- Application filed Mar. 3, 2015, 2015 for Design U.S. Appl. No. 29/519,198.
- Final Office Action dated Jul. 20, 2015 for U.S. Appl. No. 14/113,649.
- German Search Report for Application No. 10 2016 009 957.7 dated Apr. 21, 2017.
- Response restriction requirement filed May 23, 2016 for Design U.S. Appl. No. 29/516,082.
- Office Action dated Aug. 7, 2015 for U.S. Appl. No. 13/991,285.
- Written Opinion dated Sep. 8, 2016 for International Application No. PCT/EP2016/061057 filed May 18, 2016.
- Response filed Oct. 6, 2015 to Notice of Non-Compliant Amendment for U.S. Appl. No. 13/698,417.
- Notice of Non-Compliant Amendment dated Aug. 10, 2015 for U.S. Appl. No. 13/698,417.
- Final Office Action dated Oct. 16, 2015 for U.S. Appl. No. 13/698,417.
- Extended European Search Report dated Apr. 17, 2015 for European Application No. 14004167.4.
- Response to Final Office Action and RCE dated Nov. 29, 2016 in U.S. Appl. No. 14/113,649.
- International Search Report (dated Jun. 20, 2008), Written Opinion (dated Jun. 20, 2008), and International Preliminary Report on Patentability (dated Sep. 14, 2010) from PCT/US2008/03318 filed Mar. 12, 2008.
- Response filed Dec. 7, 2015 to Office Action dated Aug. 7, 2015 for U.S. Appl. No. 13/991,285.
- Notice of Allowance dated Apr. 18, 2016 for U.S. Appl. No. 14/572,998.
- Response filed Apr. 27, 2016 to Office Action dated Jan. 29, 2016 for U.S. Appl. No. 13/380,949.
- German Search Report dated Apr. 12, 2016 for related German Application No. 10 2015 008 735.5.
- Office Action from U.S. Appl. No. 15/143,698 dated Jan. 5, 2017.
- German Search Report for German Application No. 10 2015 016 474.0 dated Aug. 9, 2016, 14 pages.
- Notice of Allowance in U.S. Appl. No. 29/556,463 filed Mar. 1, 2016, 9 pages.
- Notice of Allowance in U.S. Appl. No. 29/555,656 filed Feb. 24, 2016, 5 pages.
- European Search Report dated May 8, 2017 for Application No. EP16203544.
- "Spray Guns/sata.com", Oct. 18, 2015, XP055364928 URL:<http://web.archive.org/web/20151018205307/http://www.sata.com/index.php?id=lackierpistolen&L=11> [gefunden am Apr. 13, 2017]; reprinted on Dec. 8, 2017.
- "SATAjet 5000 B Lackierpistolen | Bechersysteme | Atemschutz | Filtertechnik | Zubehor So flexibel wie Ihre Aufgaben" Apr. 11, 2017, XP055364477 Gefunden im Internet: URL:https://www.sata.com/uploads/tx_pxspecialcontent/00_SATAjet_5000_B.pdf [gefunden am Apr. 12, 2017]; English translation of full brochure attached.
- Amendments submitted to European Patent Office on Dec. 3, 2017 for Application No. EP16203544 (with English translation of chart on p. 3).
- U.S. Appl. No. 14/815,210 Office Action dated Apr. 3, 2018.
- U.S. Appl. No. 14/113,649 Response filed Mar. 3, 2018.
- German Search Report dated Apr. 10, 2018 for Application No. 10 2017 118 599.2.

(56)

References Cited

OTHER PUBLICATIONS

Response to Restriction Requirement filed Jul. 27, 2015 to Restriction Requirement dated May 27, 2015 for U.S. Appl. No. 13/991,285.
Application filed Jul. 31, 2015 for U.S. Appl. No. 14/815,210.
Final Office Action dated Aug. 4, 2015 for U.S. Appl. No. 13/380,949.
Notice of Allowance dated Aug. 3, 2015 for U.S. Appl. No. 29/486,232.

* cited by examiner

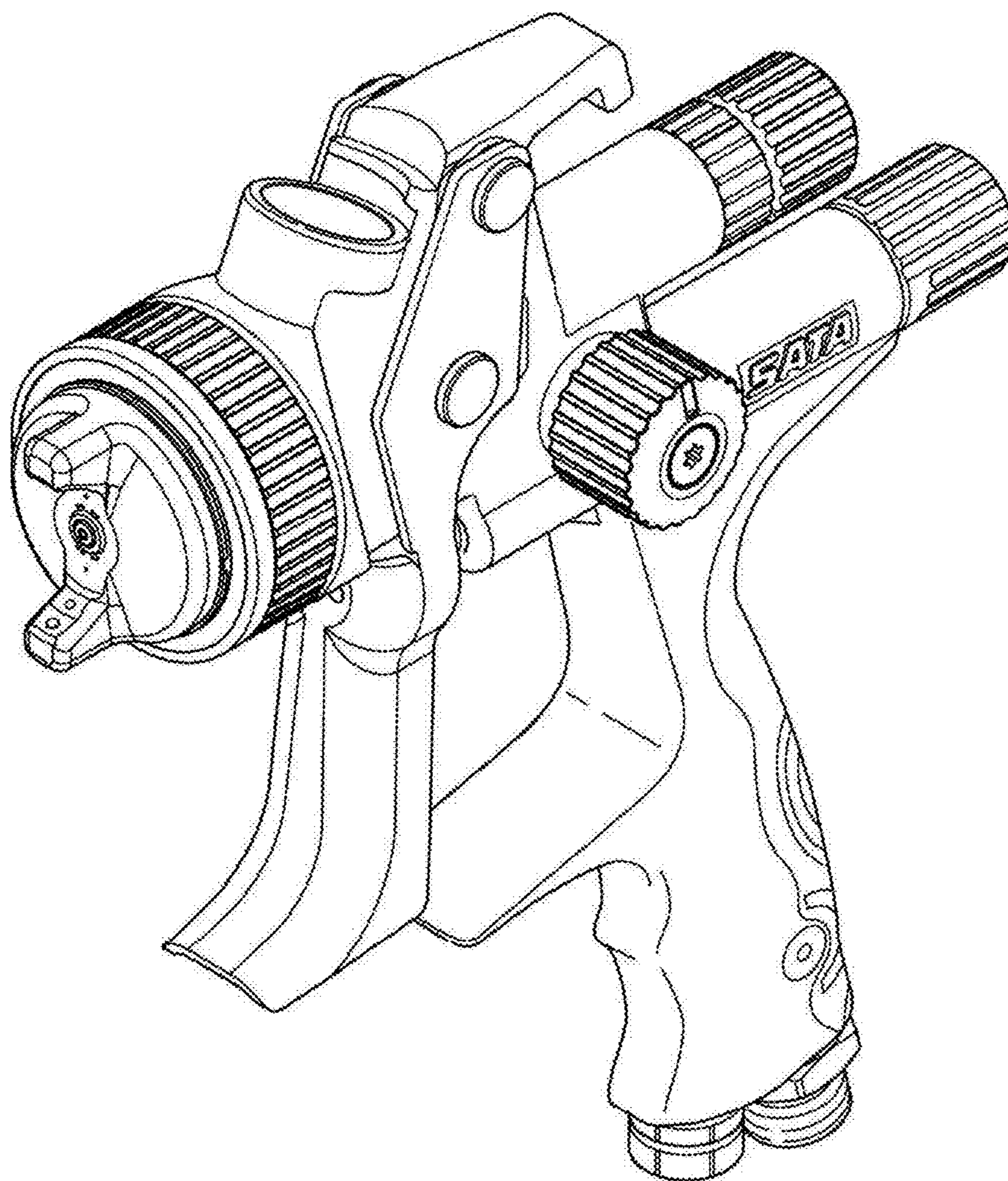


FIG. 1

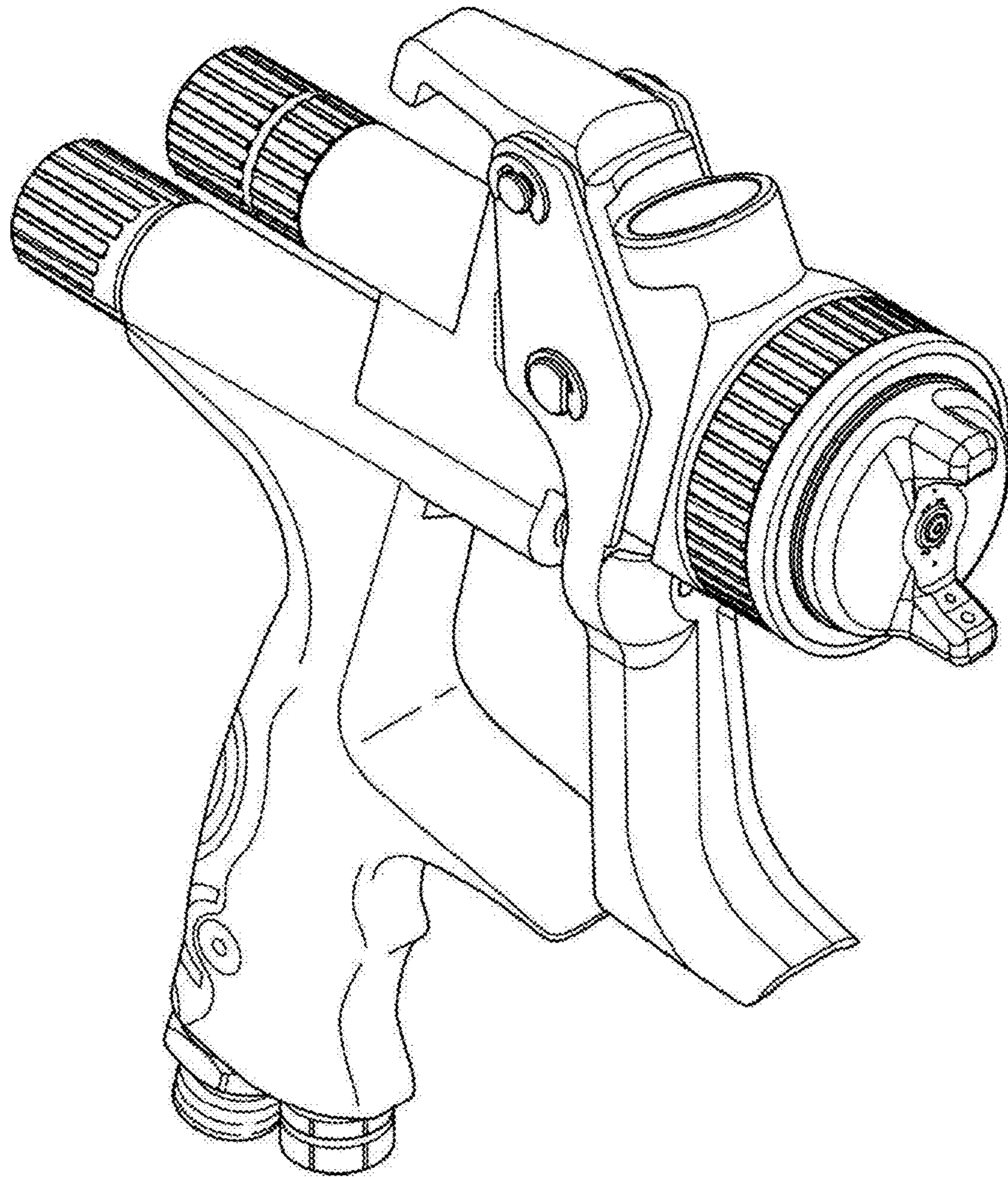


FIG. 2

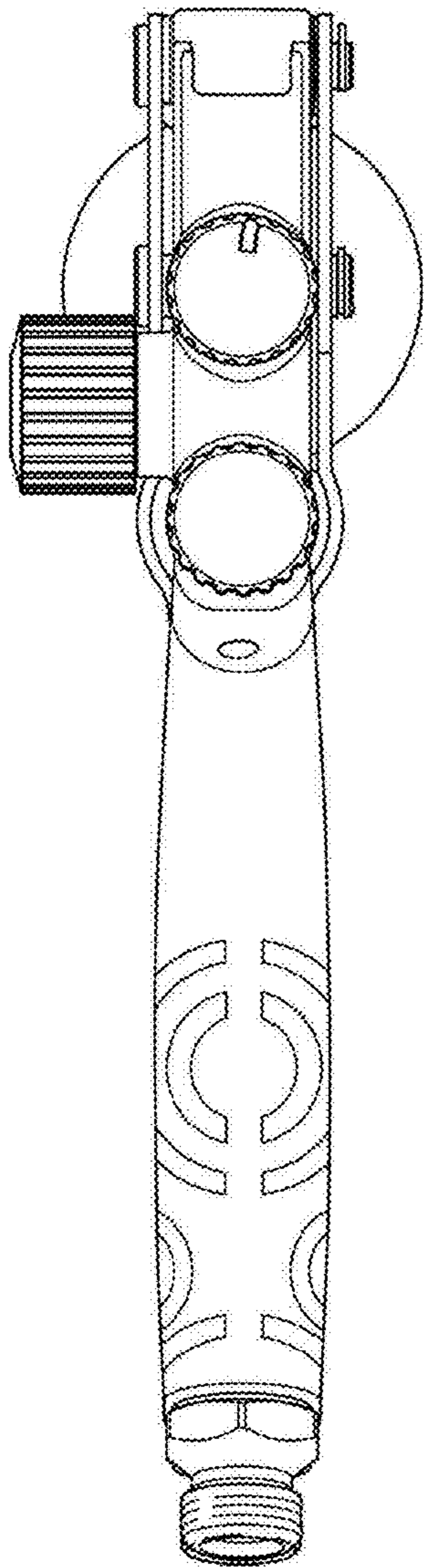


FIG. 3

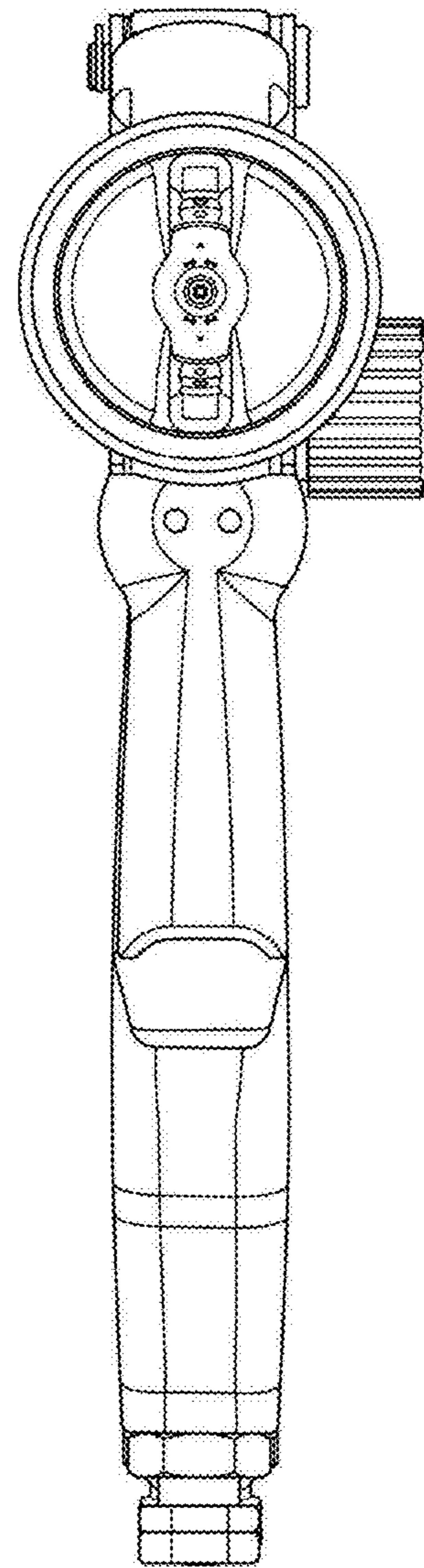


FIG. 4

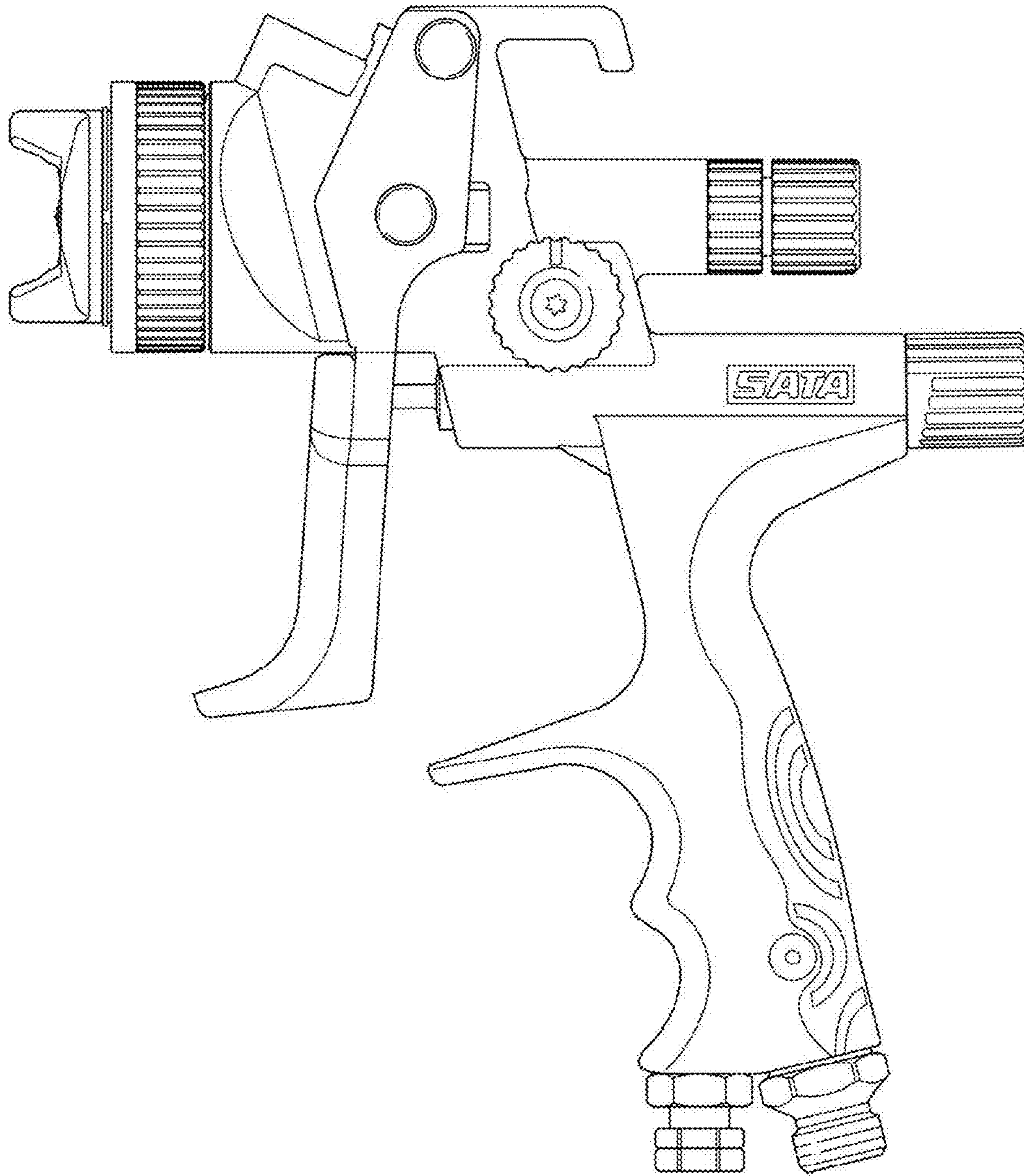


FIG. 5

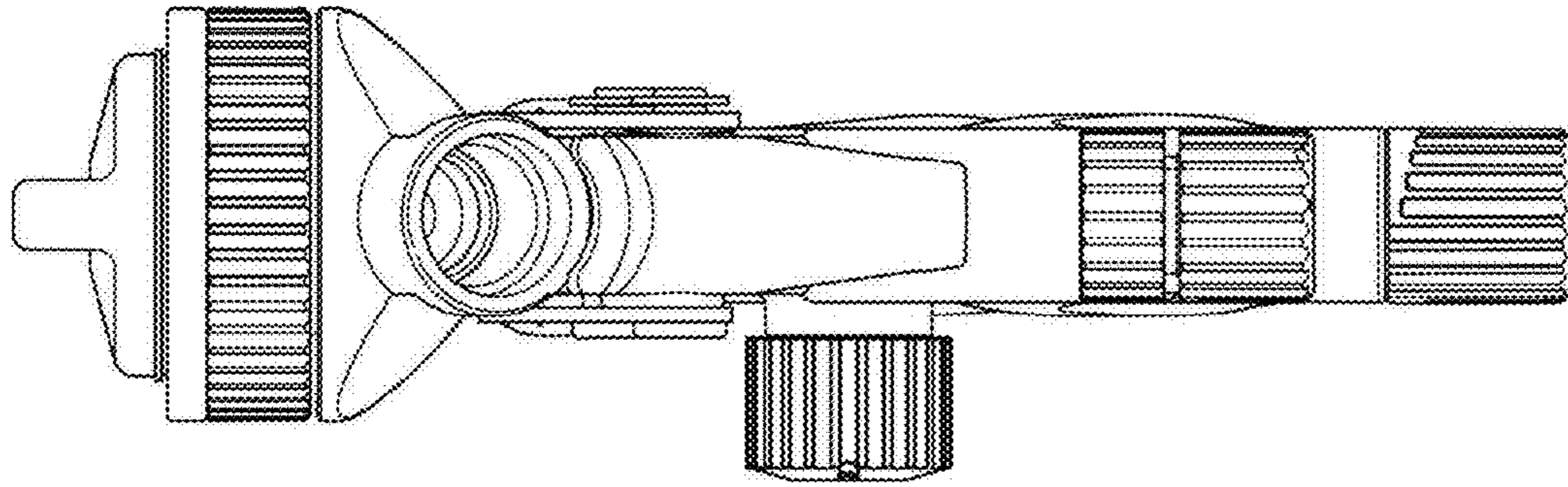


FIG. 6

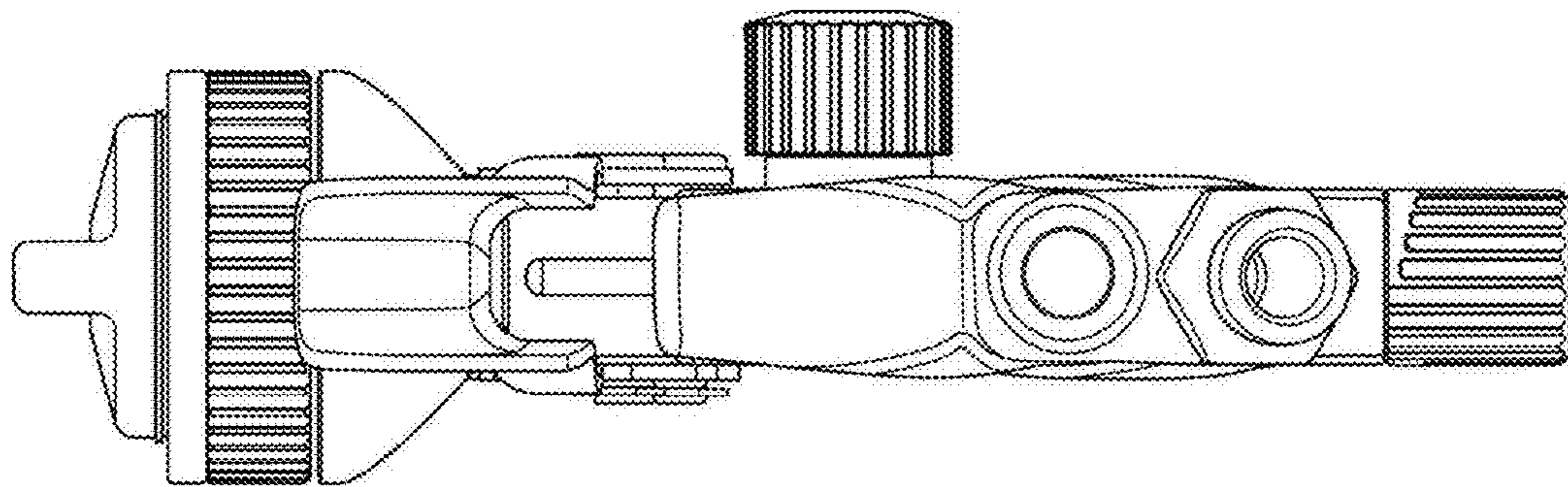


FIG. 7

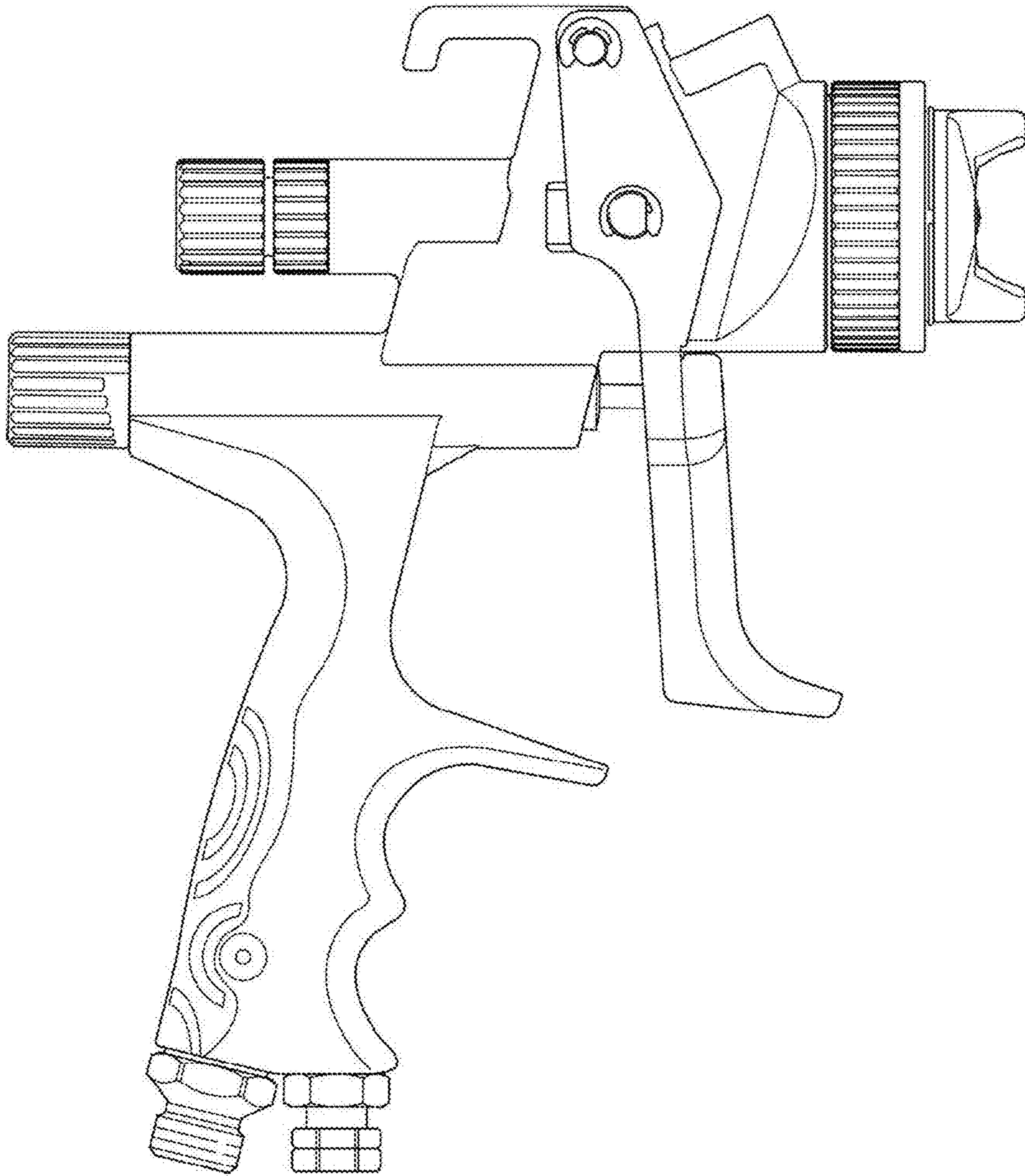


FIG. 8