



US00D835233S

(12) **United States Design Patent** (10) **Patent No.:** **US D835,233 S**
Coelho et al. (45) **Date of Patent:** **** Dec. 4, 2018**

(54) **FILTER**

(71) Applicant: **Master Spas, Inc.**, Fort Wayne, IN (US)

(72) Inventors: **Nathan Coelho**, Leo, IN (US); **Michael Davenport**, Fort Wayne, IN (US)

(73) Assignee: **Master Spas, Inc.**, Fort Wayne, IN (US)

(**) Term: **15 Years**

(21) Appl. No.: **29/581,857**

(22) Filed: **Oct. 22, 2016**

(51) **LOC (11) Cl.** **23-01**

(52) **U.S. Cl.**
USPC **D23/209**

(58) **Field of Classification Search**
USPC D23/209, 207; 210/440; 285/360-361
CPC B01D 35/30; B01D 35/153; B01D 35/157;
B01D 27/00; B01D 27/08
See application file for complete search history.

(56) **References Cited**

U.S. PATENT DOCUMENTS

D181,664	S	*	12/1957	Muller	D23/209
3,347,386	A		10/1967	Kraissl, Jr.		
3,348,689	A		10/1967	Kraissl, Jr.		
D246,109	S	*	10/1977	Rosaen	D23/209
D294,167	S	*	2/1988	Meissner	D23/209
D306,199	S		2/1990	Meissner		
D306,640	S	*	3/1990	Kott	D23/209
D318,091	S	*	7/1991	Sherman	D23/209
D318,094	S	*	7/1991	Sherman	D23/209
D320,062	S	*	9/1991	Meissner	D23/209
5,135,654	A		8/1992	Heskett		
5,198,118	A		3/1993	Heskett		
5,211,846	A		5/1993	Kott et al.		
5,314,623	A		5/1994	Heskett		
D402,735	S	*	12/1998	Kott	D23/209
D403,740	S		1/1999	Kott et al.		

D412,551	S	*	8/1999	Smith	D23/209
6,962,660	B2		11/2005	Wybo		
D548,307	S	*	8/2007	Reynolds	D23/209
7,416,663	B2		8/2008	Kott et al.		
D648,822	S	*	11/2011	Salvador	D23/209

(Continued)

OTHER PUBLICATIONS

Nathan Coelho et al., Related unpublished Utility U.S. Appl. No. 15/791,206, filed Oct. 23, 2017.

Primary Examiner — Robin V Webster

Assistant Examiner — James C Thorn, Sr.

(74) *Attorney, Agent, or Firm* — Kaplan Breyer Schwarz, LLP

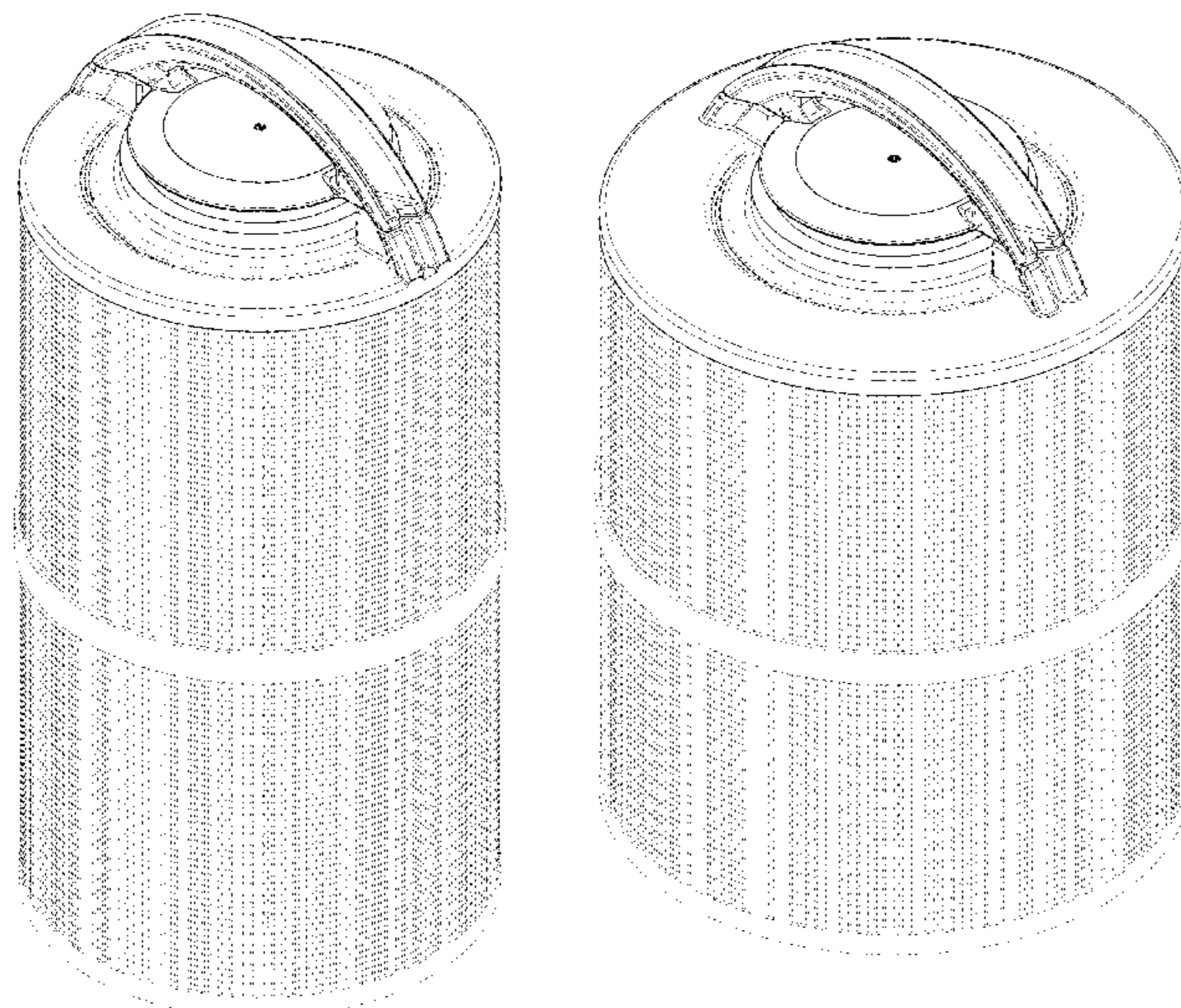
(57) **CLAIM**

The ornamental design for a filter, as shown and described.

DESCRIPTION

FIG. 1 is a top front right perspective view of a filter showing our new design, shown in a first embodiment; FIG. 2 is a front elevational view thereof; FIG. 3 is a rear elevational view thereof; FIG. 4 is a left elevational view thereof; FIG. 5 is a right elevational view thereof; FIG. 6 is a top plan view thereof; FIG. 7 is a bottom plan view thereof; FIG. 8 is a top front right perspective view of the filter of FIG. 1, shown in a second embodiment; FIG. 9 is a front elevational view thereof; FIG. 10 is a rear elevational view thereof; FIG. 11 is a left elevational view thereof; FIG. 12 is a right elevational view thereof; FIG. 13 is a top plan view thereof; and, FIG. 14 is a bottom plan view thereof. The portions shown in the figures in broken lines do not constitute part of the claimed design.

1 Claim, 12 Drawing Sheets



(56)

References Cited

U.S. PATENT DOCUMENTS

D656,577	S *	3/2012	Salvador	D23/209
D717,395	S *	11/2014	Neto	D23/209
D726,869	S *	4/2015	Lepine	D23/209
D729,344	S *	5/2015	Colussi	D23/209
D730,731	S *	6/2015	Bewley, Jr.	D9/447
D735,293	S *	7/2015	Schwartz	D23/209
D751,170	S *	3/2016	Ruprecht	D23/209
D753,789	S *	4/2016	Raab	D23/209
D754,304	S *	4/2016	Morris	D23/260
D770,011	S *	10/2016	Nelson	D23/209
D770,592	S *	11/2016	Schwartz	D23/209
D773,014	S *	11/2016	Pale	D23/209
D793,525	S *	8/2017	Morris	D23/209
D810,232	S *	2/2018	Schwartz	D23/209
D810,859	S *	2/2018	Lu	D23/209
2004/0124129	A1	7/2004	Booth		
2007/0241045	A1	10/2007	Kott et al.		
2010/0243554	A1	9/2010	Herrin et al.		
2011/0147297	A1 *	6/2011	Core	B01D 29/21 210/232
2012/0080372	A1 *	4/2012	Ries	B01D 36/006 210/440
2017/0028326	A1 *	2/2017	Till	B01D 35/30
2018/0028950	A1 *	2/2018	Heilman	B01D 35/30

* cited by examiner

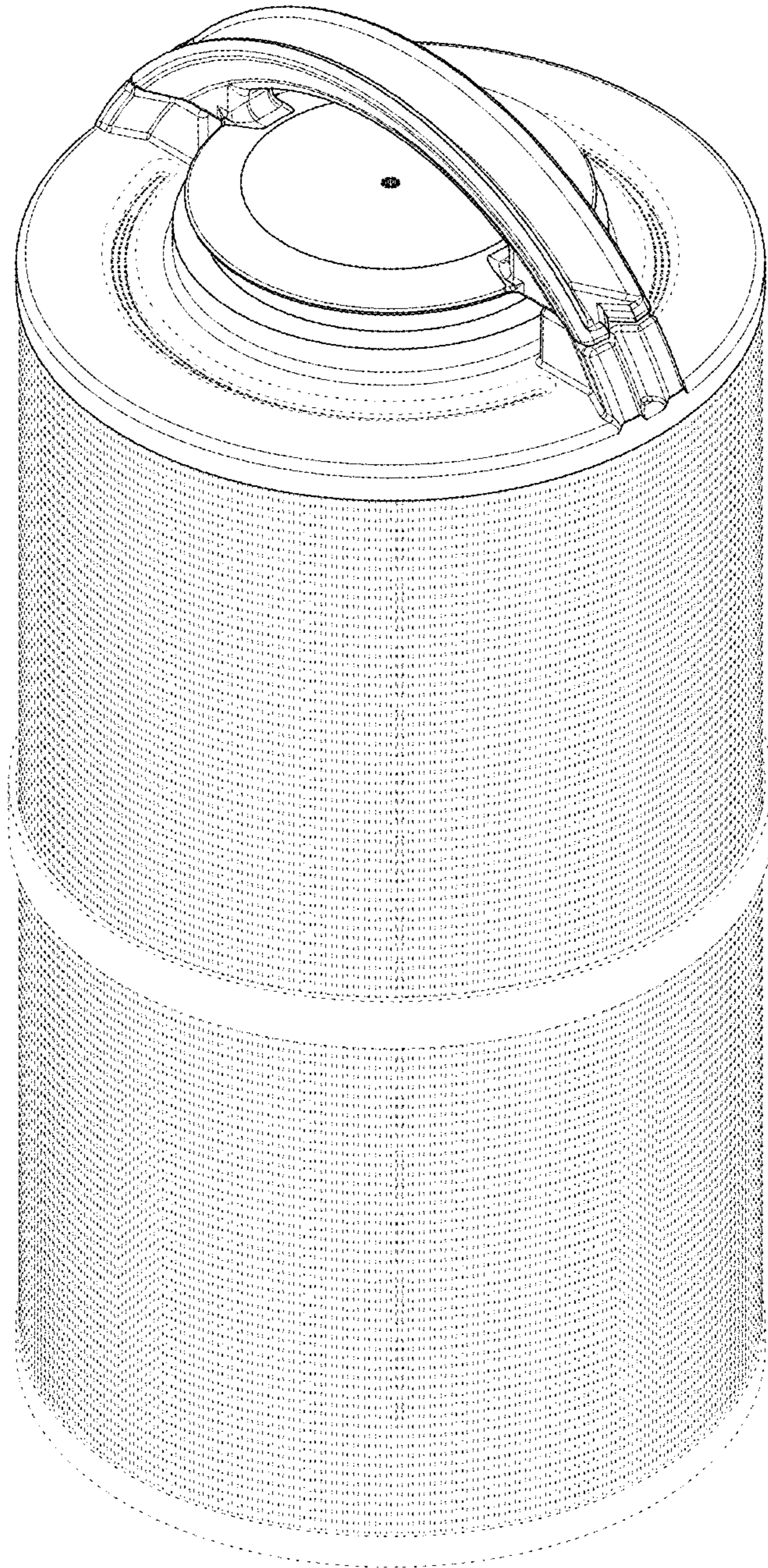


FIG. 1

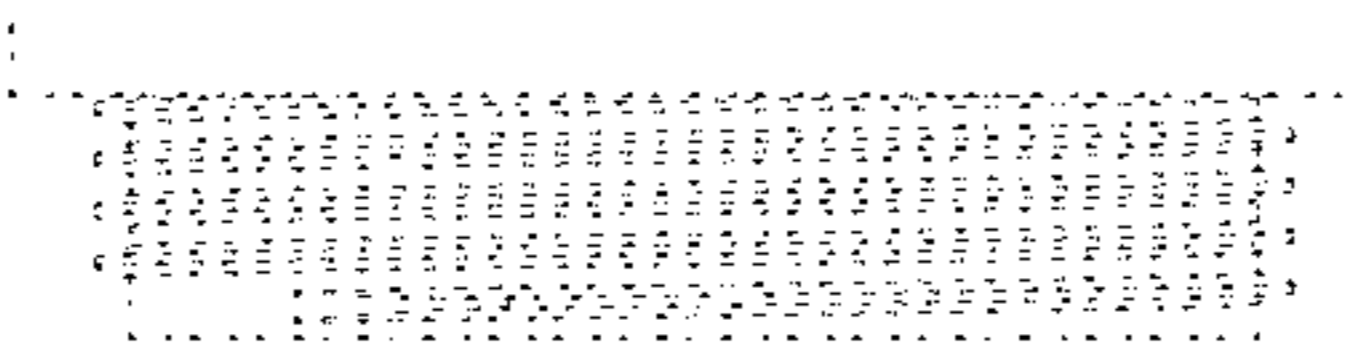
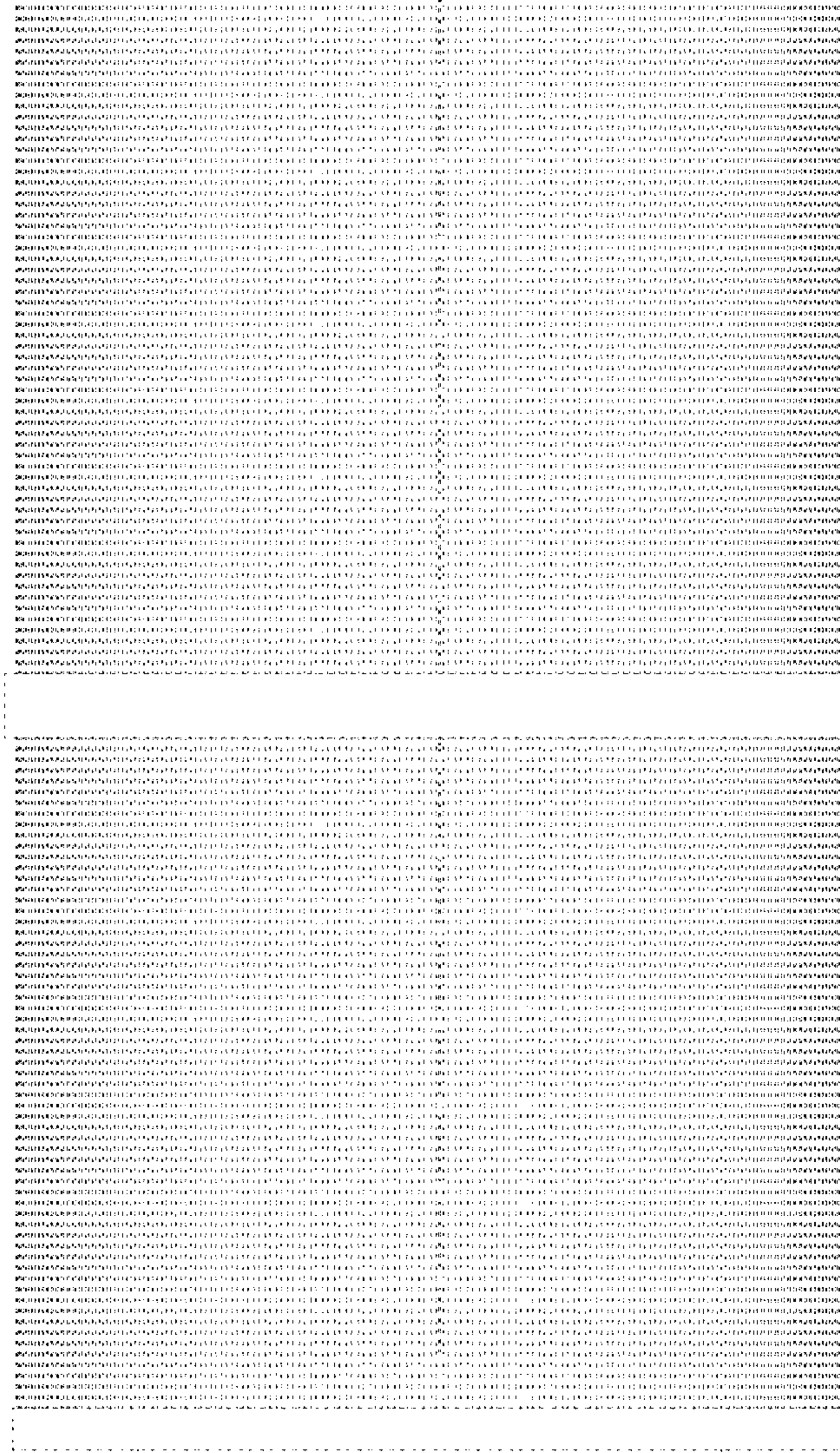
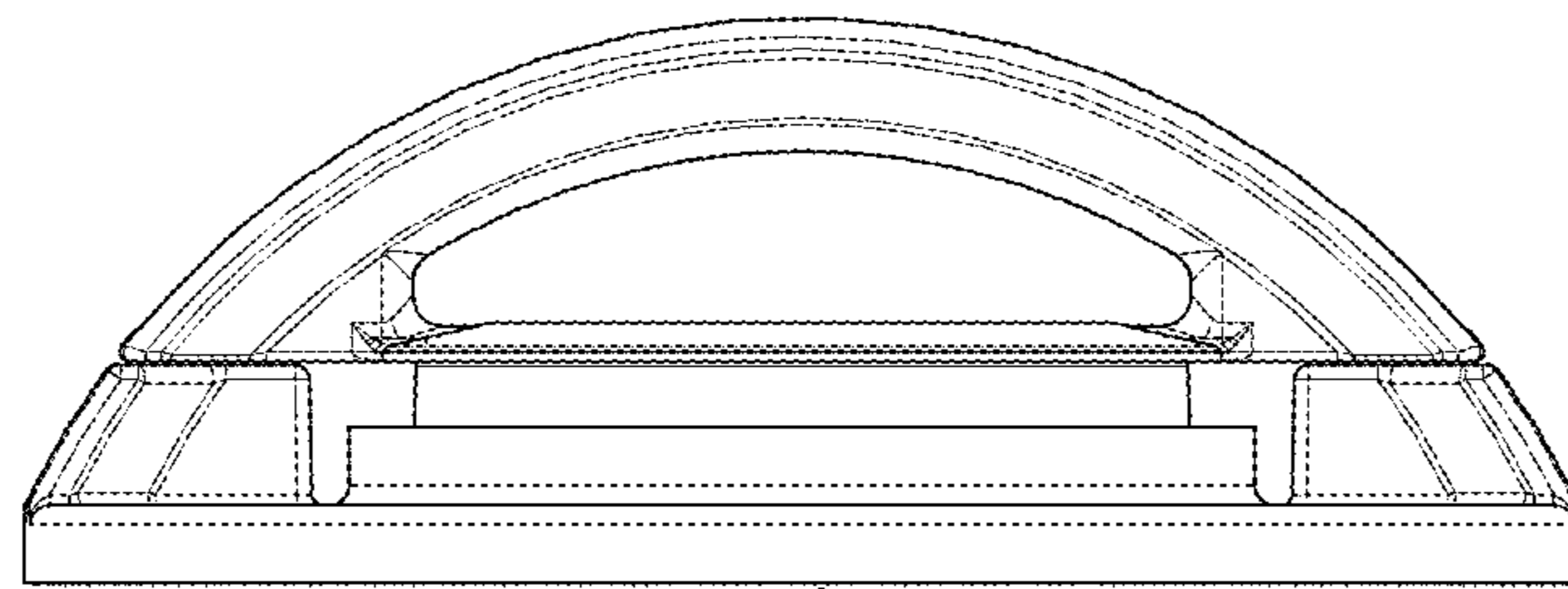


FIG. 2

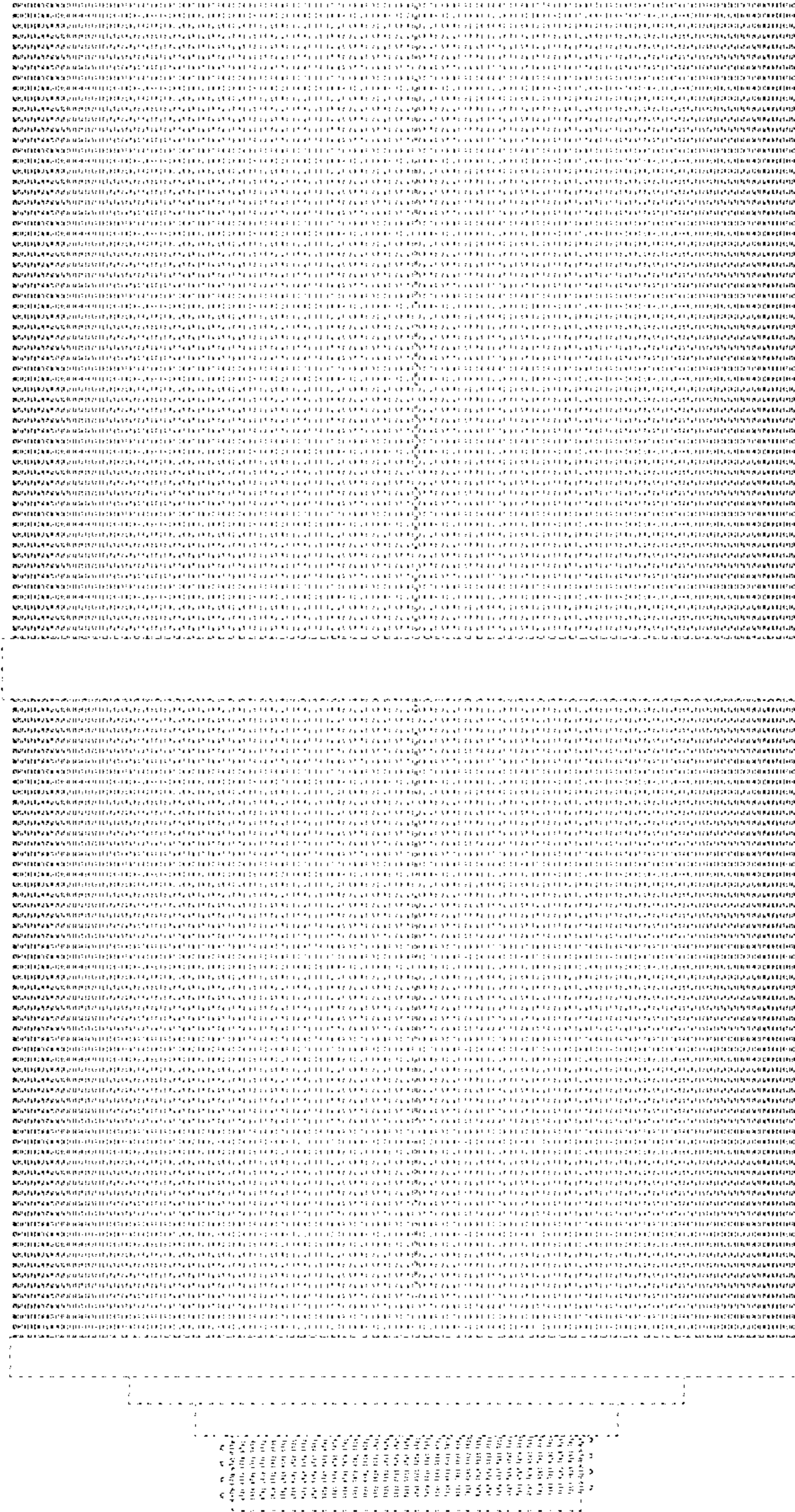
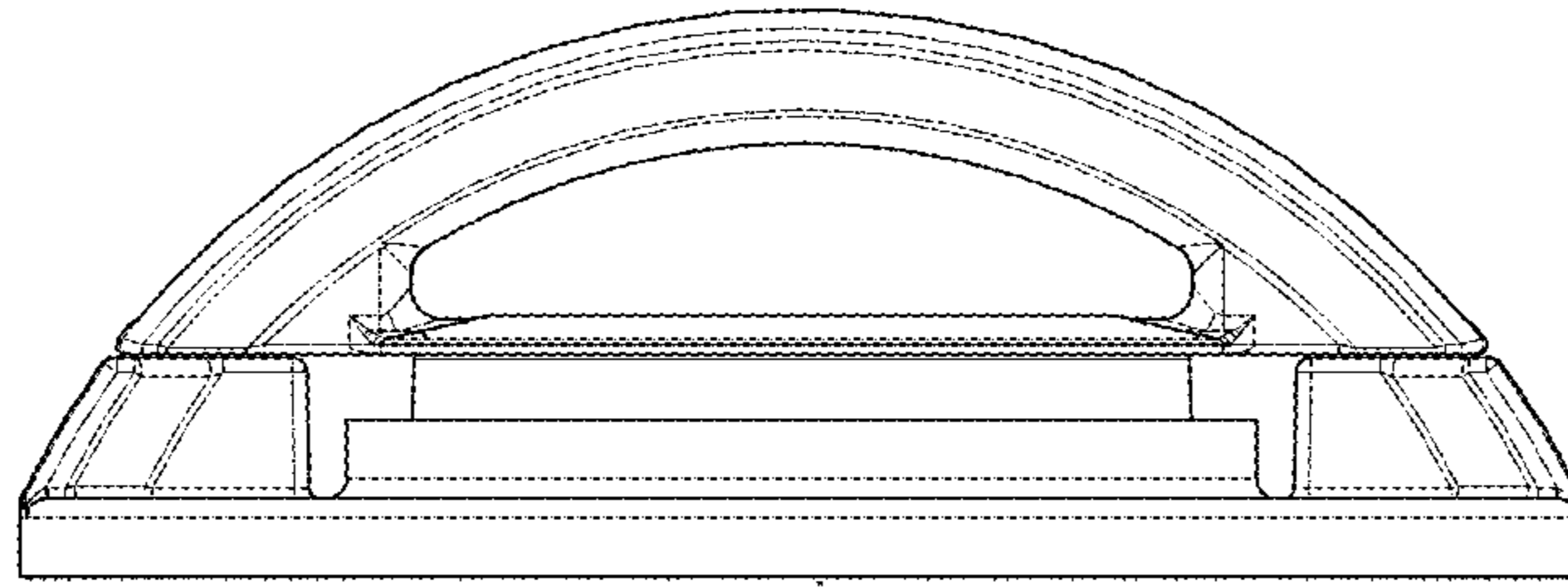
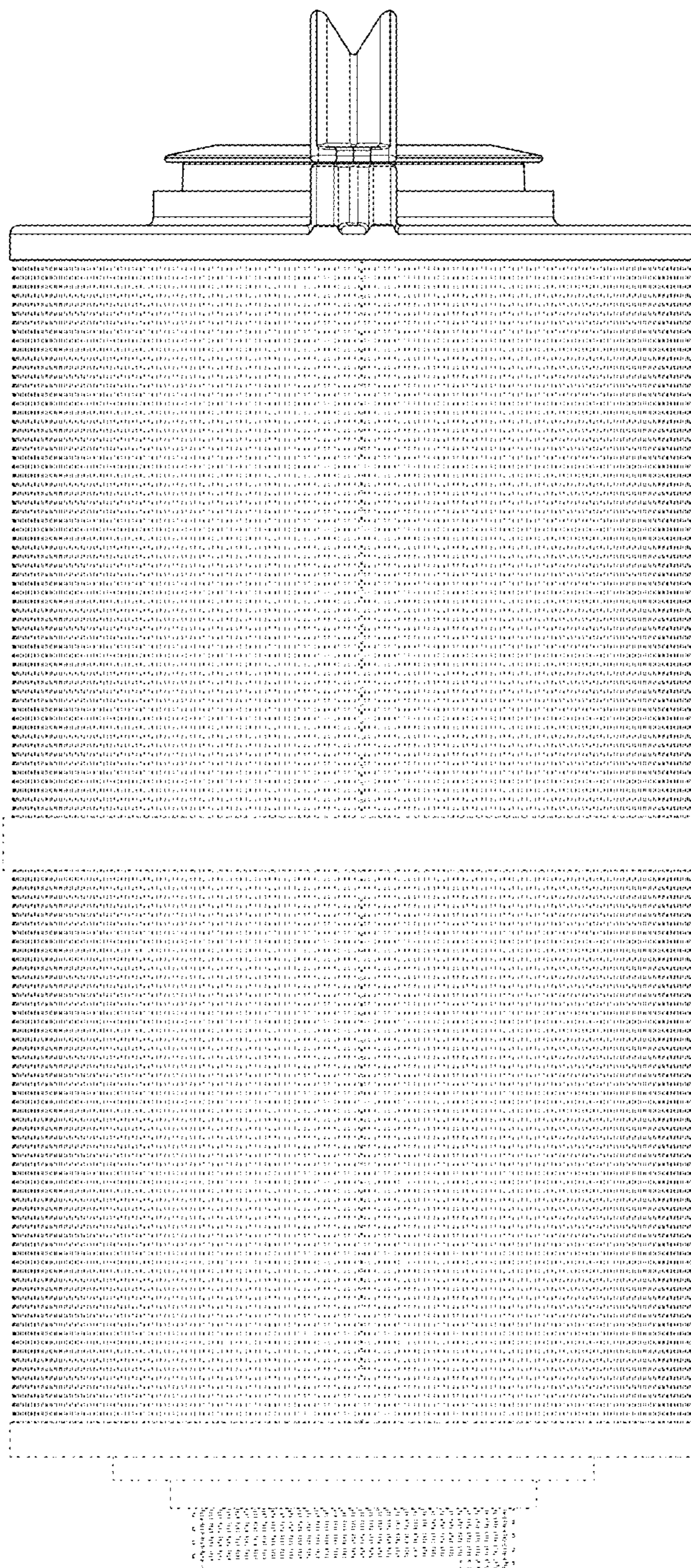


FIG. 3



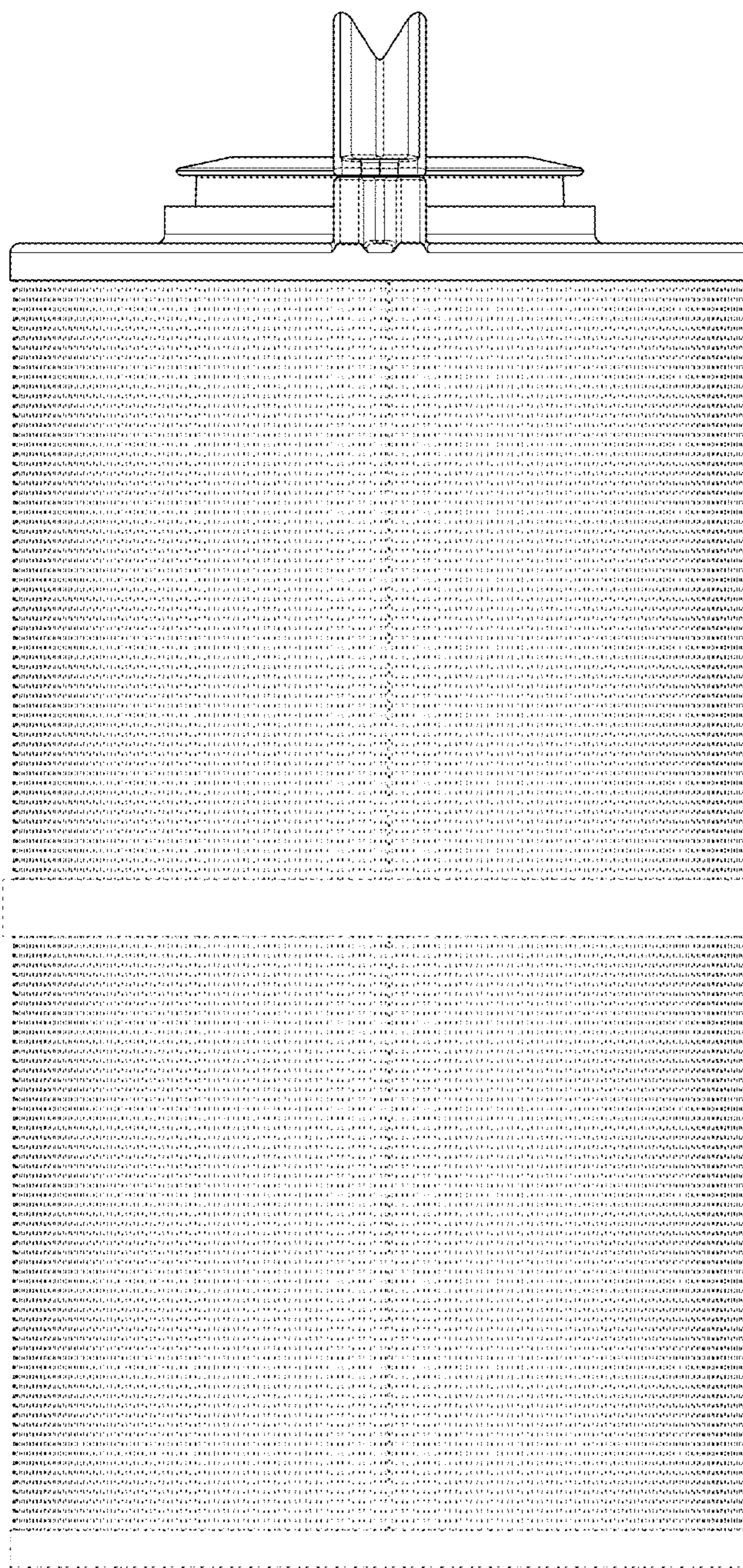


FIG. 5

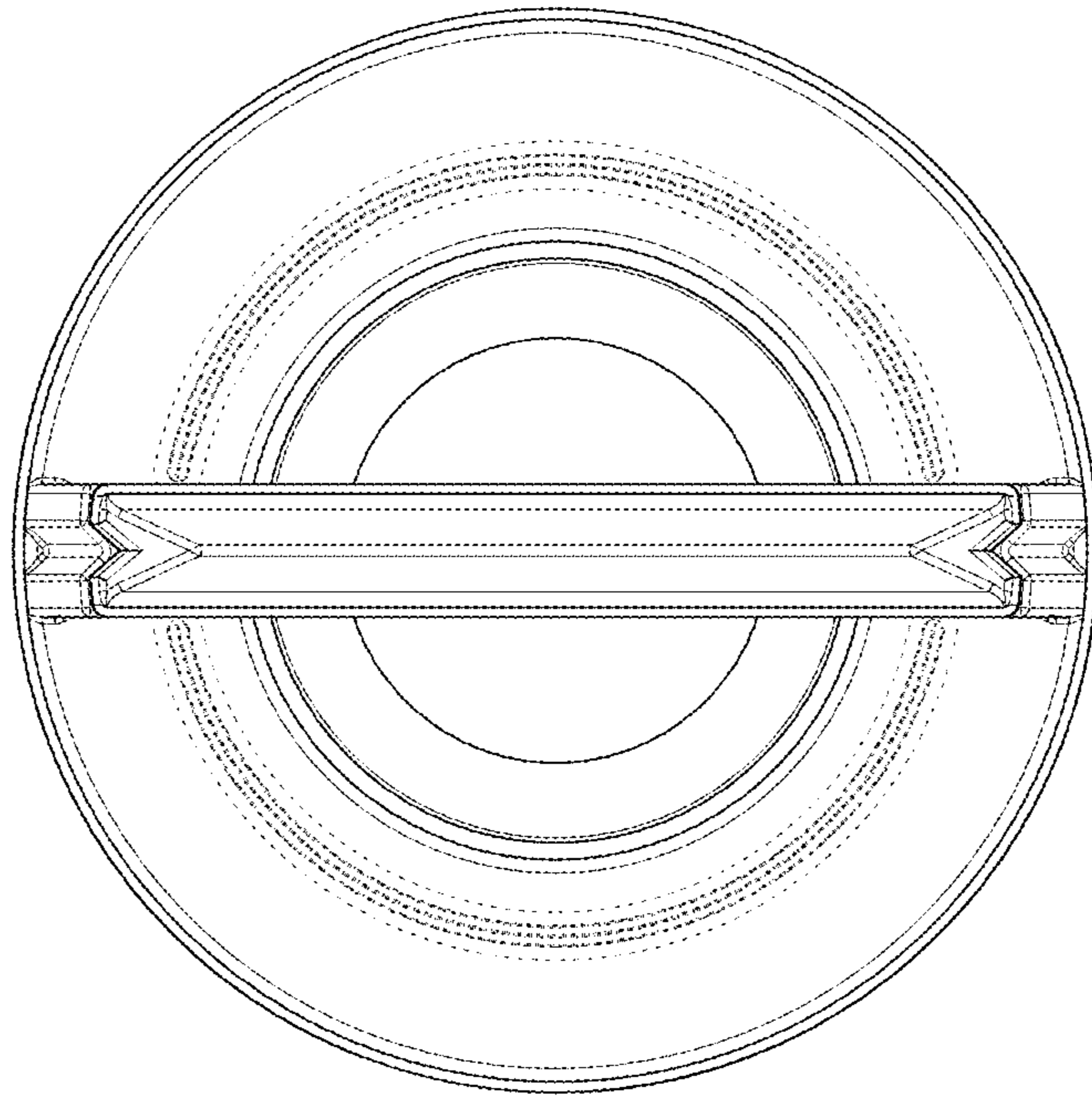


FIG. 6

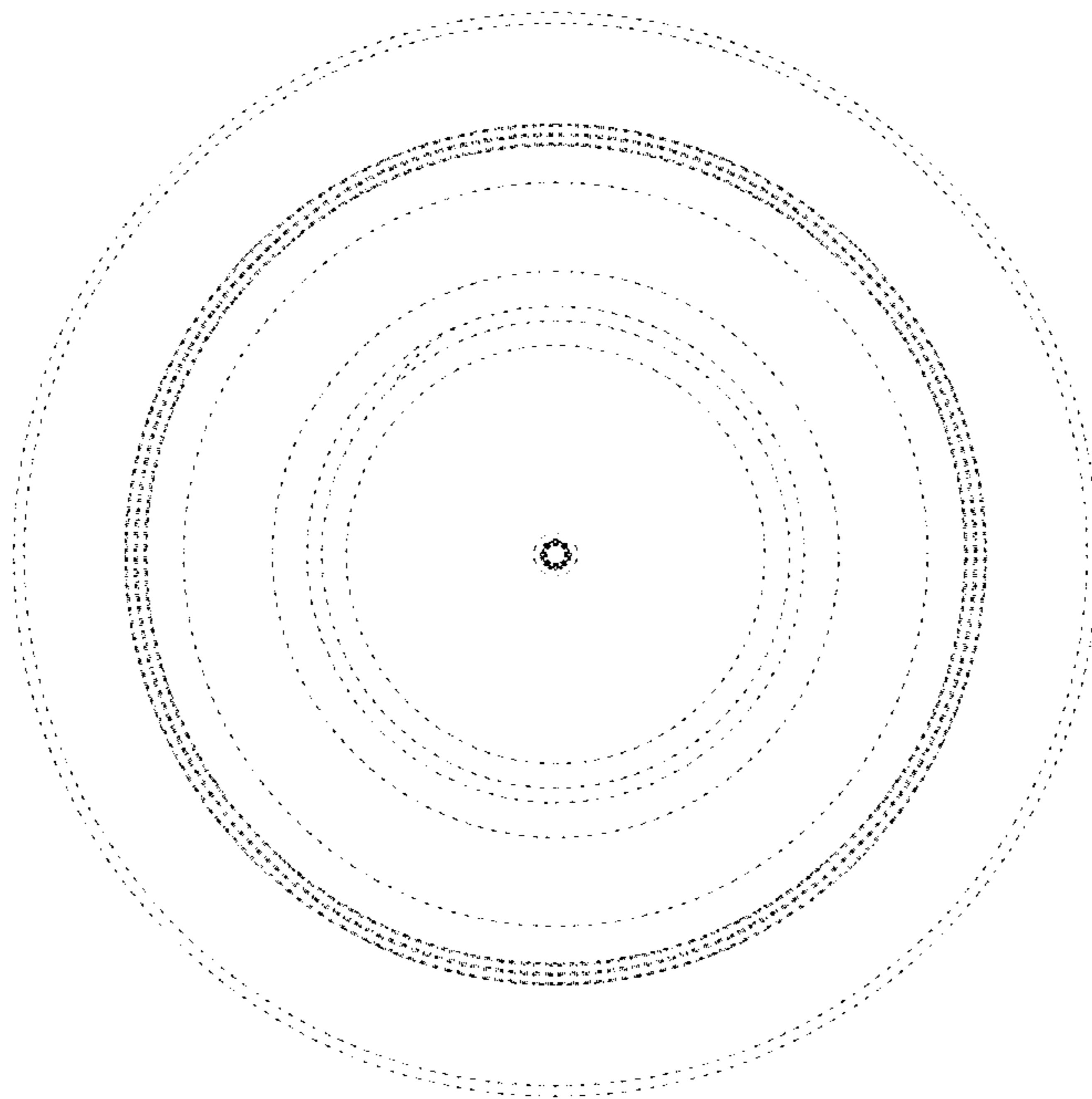


FIG. 7

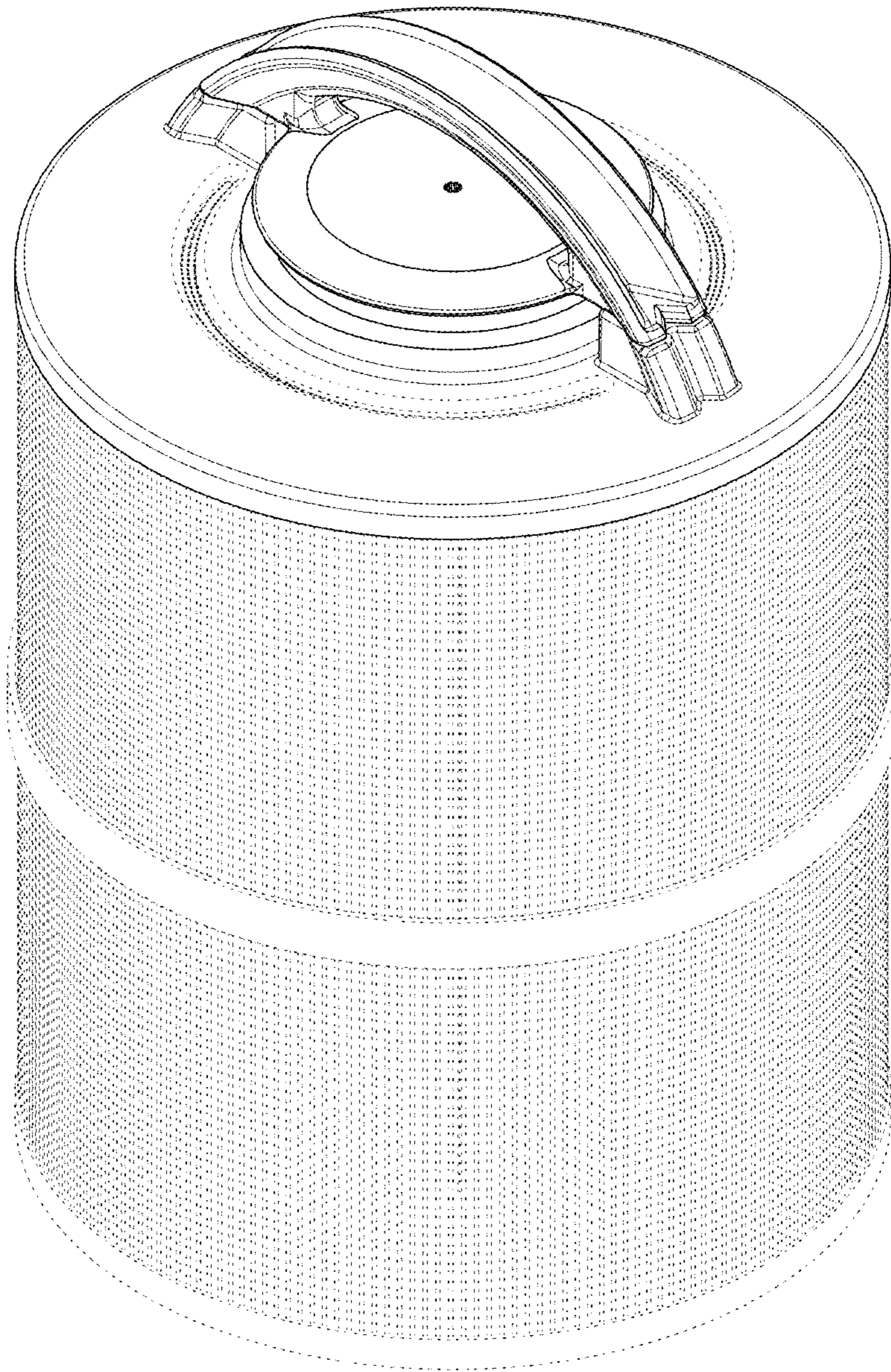


FIG. 8

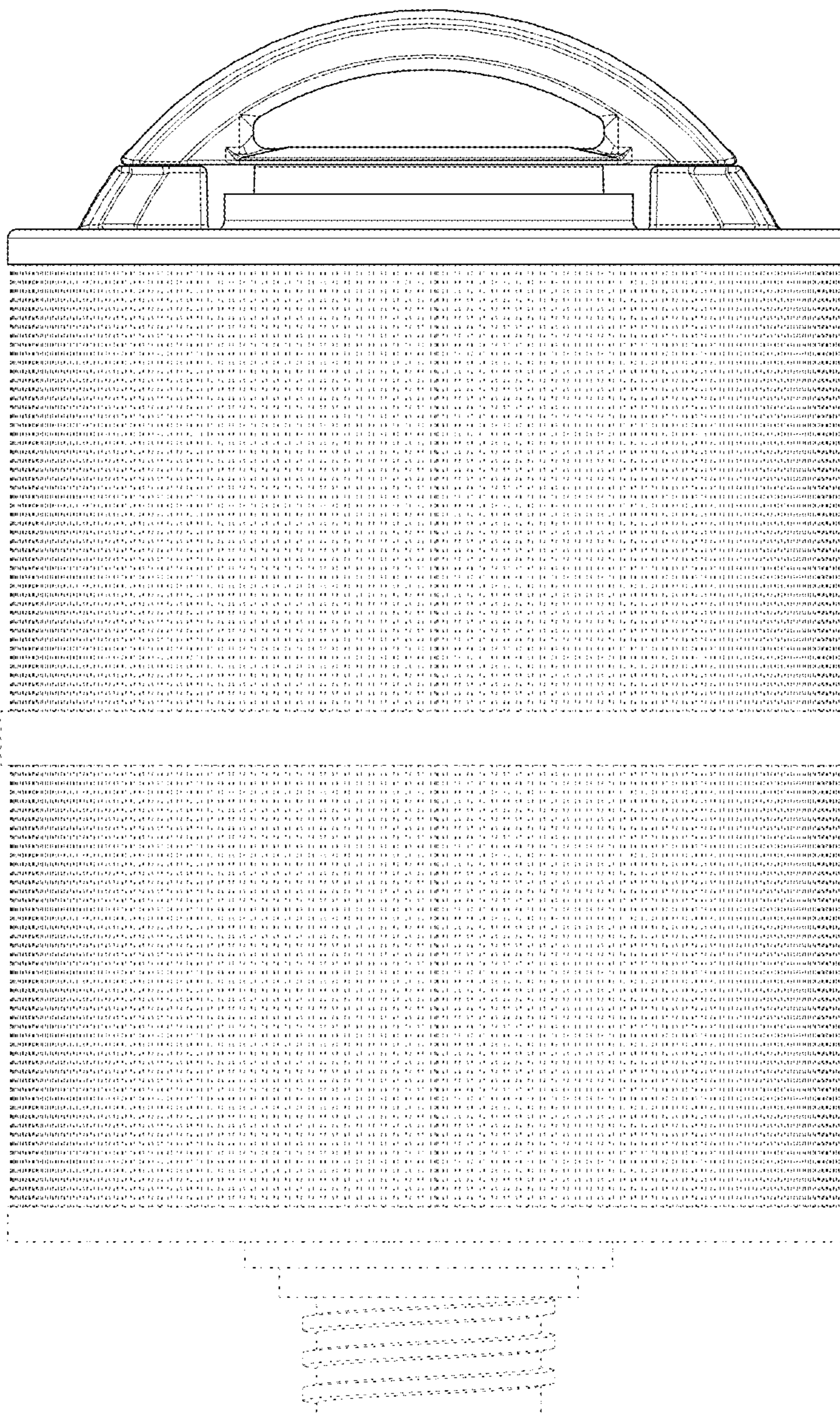


FIG. 9

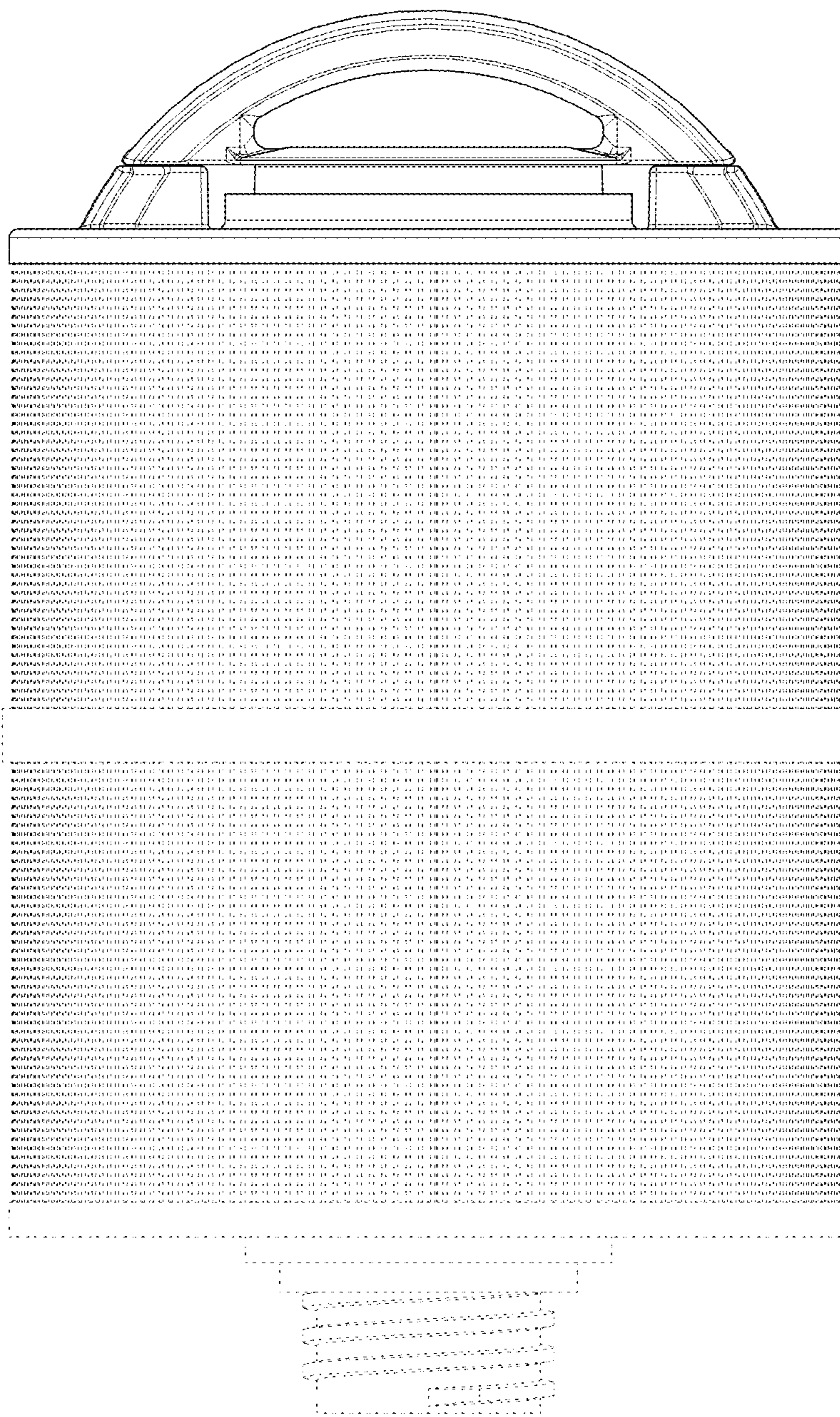


FIG. 10

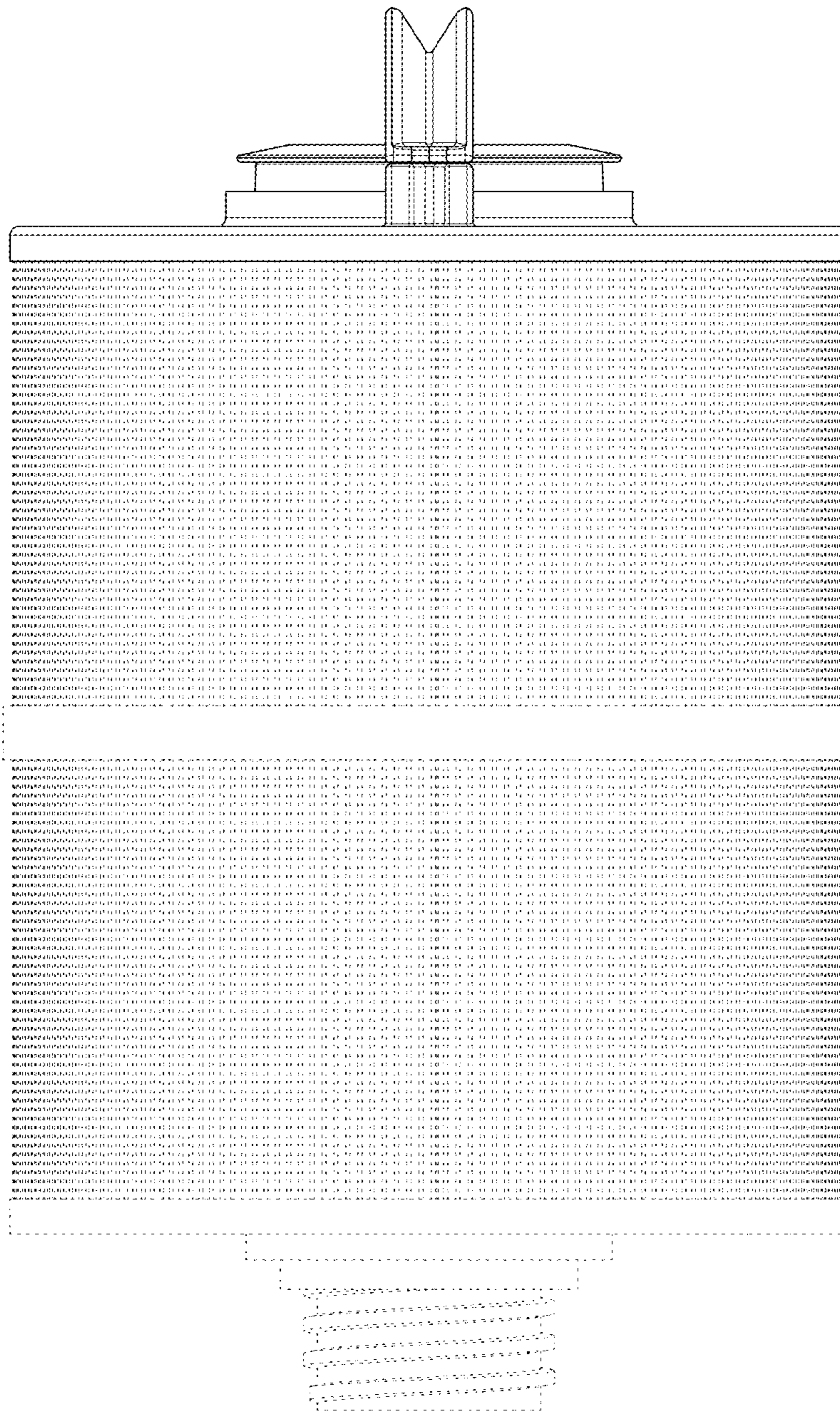


FIG. 11

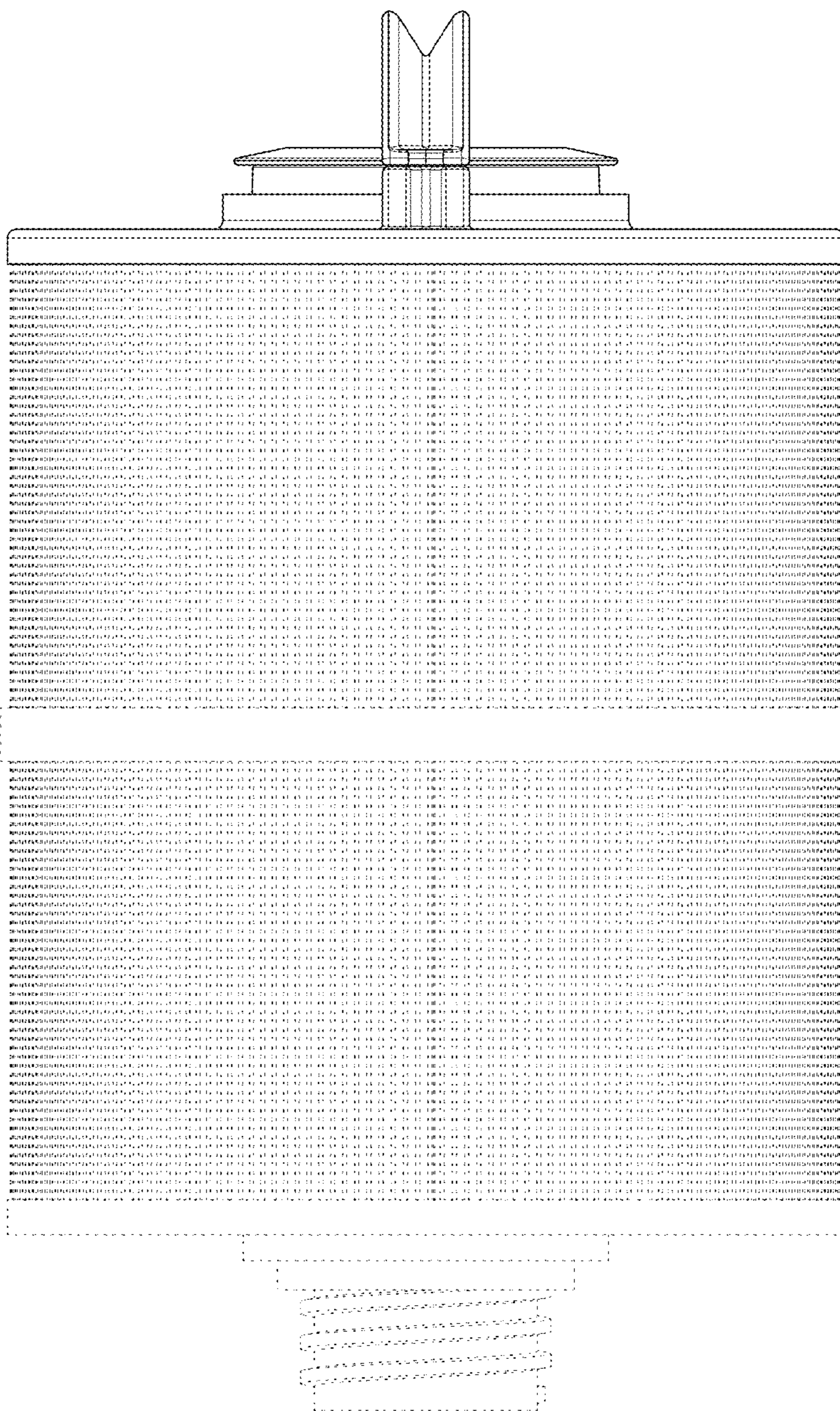


FIG. 12

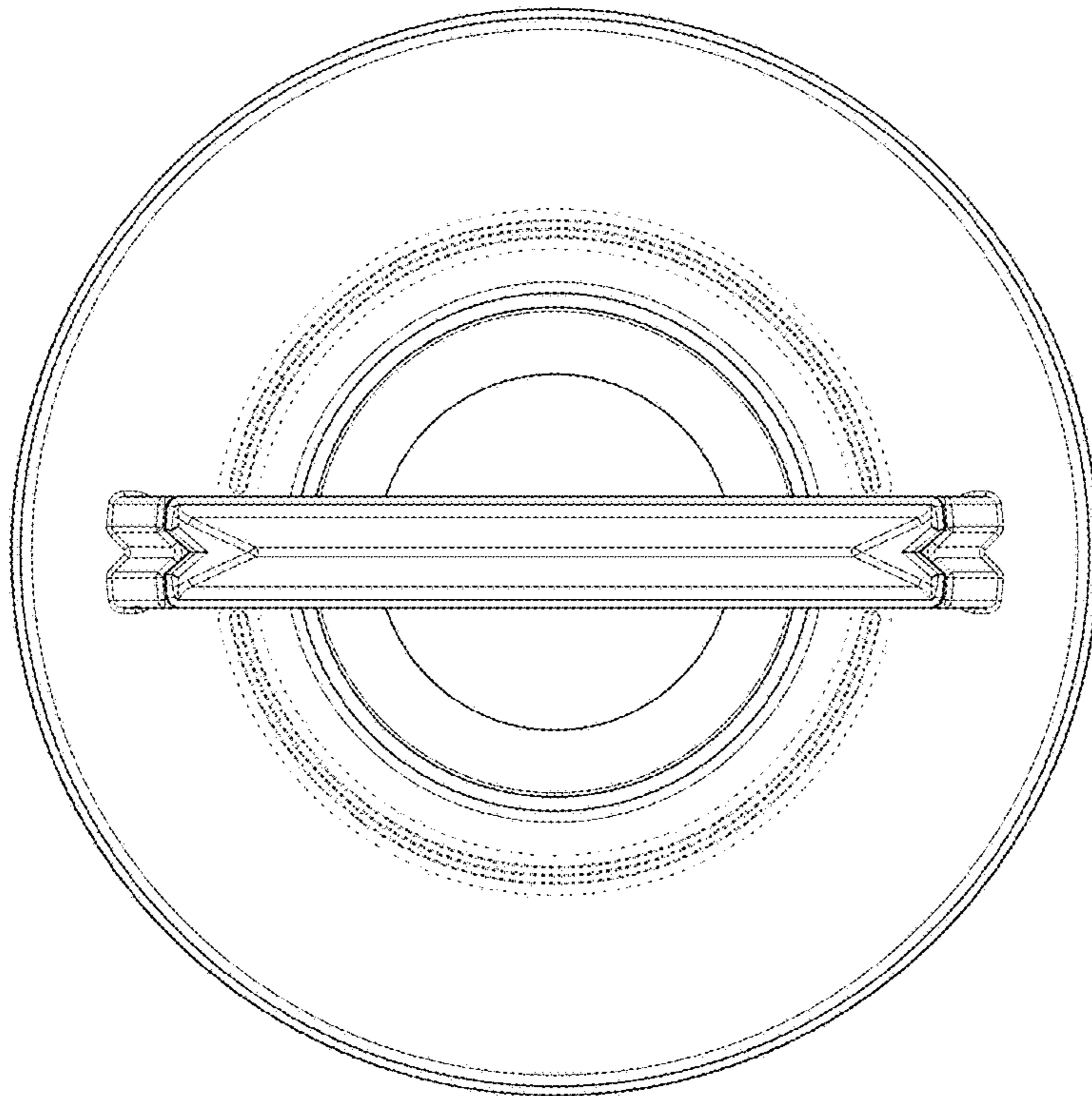


FIG. 13

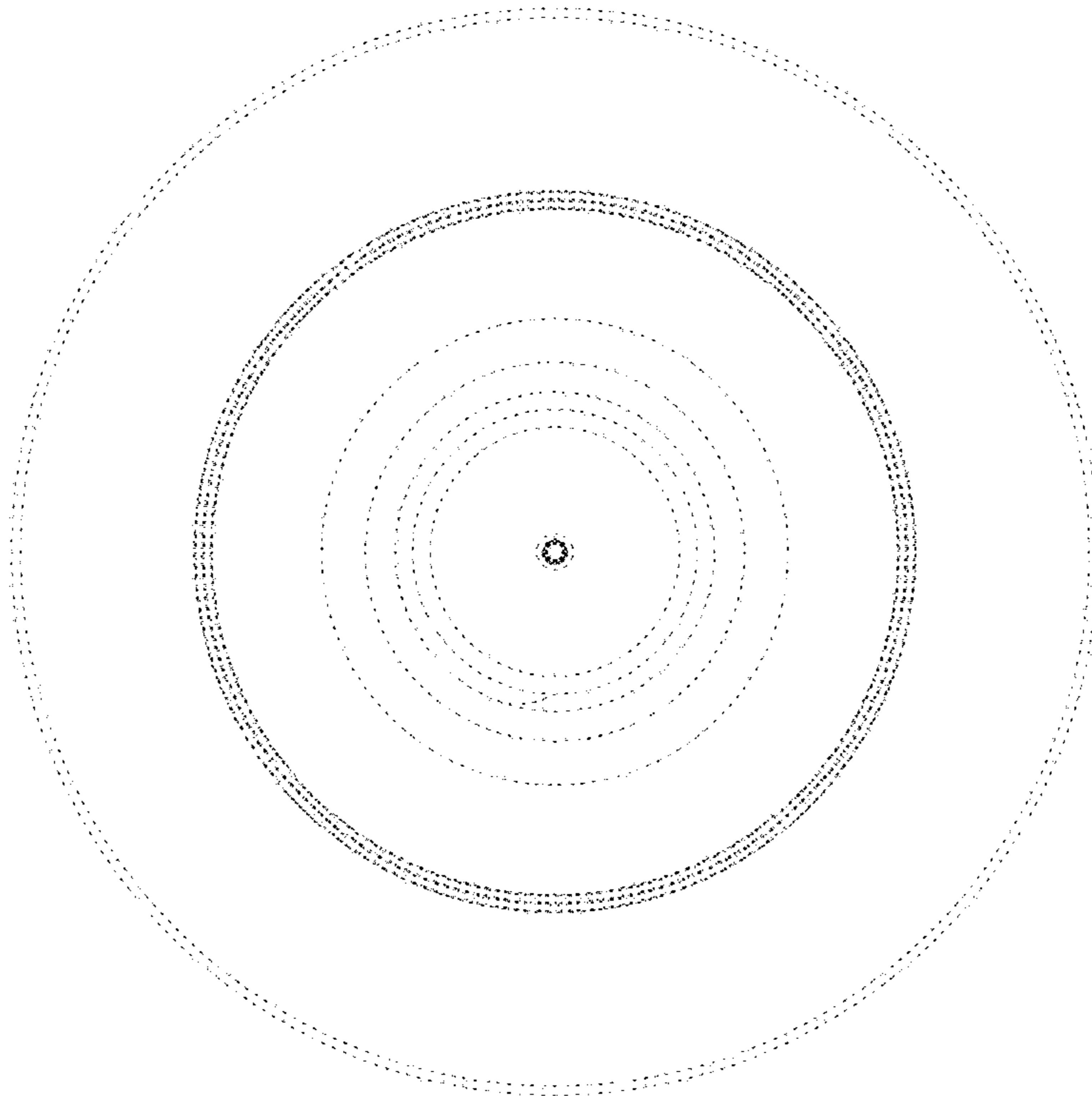


FIG. 14