



US00D835231S

(12) **United States Design Patent**  
**McDuffe**

(10) **Patent No.:** **US D835,231 S**  
(45) **Date of Patent:** **\*\* Dec. 4, 2018**

(54) **KIT FOR A LIQUID COLLECTION TANK**

(71) Applicant: **William McDuffe**, Headingley (CA)

(72) Inventor: **William McDuffe**, Headingley (CA)

(\*\*) Term: **15 Years**

(21) Appl. No.: **29/610,124**

(22) Filed: **Jul. 10, 2017**

(51) **LOC (11) Cl.** ..... **23-01**

(52) **U.S. Cl.**  
USPC ..... **D23/202**

(58) **Field of Classification Search**  
USPC ..... D23/200, 202, 206; 62/45.1, 371  
(Continued)

(56) **References Cited**

U.S. PATENT DOCUMENTS

4,659,251 A \* 4/1987 Petter ..... B65D 90/105  
137/312

D336,327 S \* 6/1993 Zorb ..... D23/202  
(Continued)

*Primary Examiner* — Robin V Webster

(74) *Attorney, Agent, or Firm* — Adrian D. Battison; Ade + Company Inc.; Ryan W. Dupuis

(57) **CLAIM**

The ornamental design for a kit for a liquid collection tank, as shown and described.

**DESCRIPTION**

FIG. 1 is a perspective view from the top and front of a kit for a liquid collection tank, comprising an upper tank portion and a lower tank portion in an assembled condition, showing the design.

FIG. 2 is a perspective view from the bottom and one side of the kit for a liquid collection tank in the assembled condition, showing the design.

FIG. 3 is a top plan view of the kit for a liquid collection tank in the assembled condition, showing the design.

FIG. 4 is a bottom plan view of the kit for a liquid collection tank in the assembled condition, showing the design.

FIG. 5 is a front elevational view of the kit for a liquid collection tank in the assembled condition, showing the design.

FIG. 6 is a side elevational view of the kit for a liquid collection tank in the assembled condition, showing the design.

FIG. 7 is a perspective view from the top and front of the lower tank portion of the kit, showing the design.

FIG. 8 is a perspective view from the bottom and one side of the lower tank portion of the kit, showing the design.

FIG. 9 is a top plan view of the lower tank portion, showing the design.

FIG. 10 is a bottom plan view of the lower tank portion, showing the design.

FIG. 11 is a front elevational view of the lower tank portion, showing the design.

FIG. 12 is a side elevational view of the lower tank portion, showing the design.

FIG. 13 is a perspective view from the top and front of the upper tank portion, showing the design.

FIG. 14 is a perspective view from the bottom and one side of the upper tank portion, showing the design.

FIG. 15 is a top plan view of the upper tank portion, showing the design.

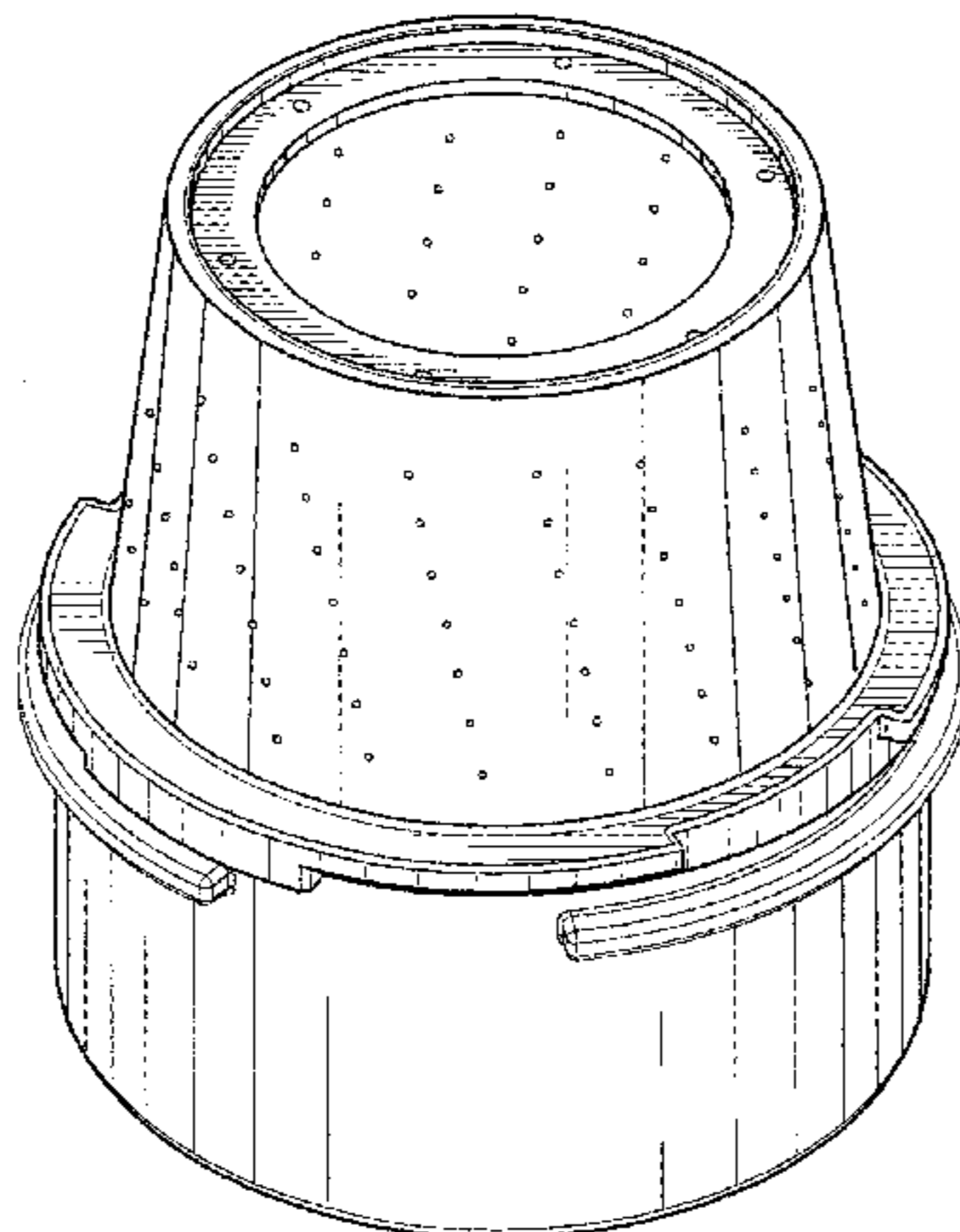
FIG. 16 is a bottom plan view of the upper tank portion, showing the design.

FIG. 17 is a front elevational view of the upper tank portion, showing the design; and,

FIG. 18 is a side elevational view of the upper tank portion, showing the design.

The kit for a liquid collection tank and each of the upper and lower tank portions are symmetrical about a vertical plane through a diameter thereof, and thus views from the rear and the opposite side to that illustrated in the forgoing figures are not shown herein.

**1 Claim, 11 Drawing Sheets**



(58) **Field of Classification Search**

CPC ..... F17C 3/085; F17C 2209/221; F17C  
2201/0109; B65D 88/76; B65D 90/105;  
A47J 41/02; A47J 41/028

See application file for complete search history.

(56) **References Cited**

U.S. PATENT DOCUMENTS

D415,244	S	*	10/1999	Adams	.....	D23/202
D721,160	S	*	1/2015	O’Rielly	.....	D23/202
D740,390	S	*	10/2015	Soble	.....	D23/202
9,617,070	B1	*	4/2017	Russell	.....	B65D 90/105
D794,745	S	*	8/2017	Tahkio	.....	B65D 90/105 D23/202

\* cited by examiner

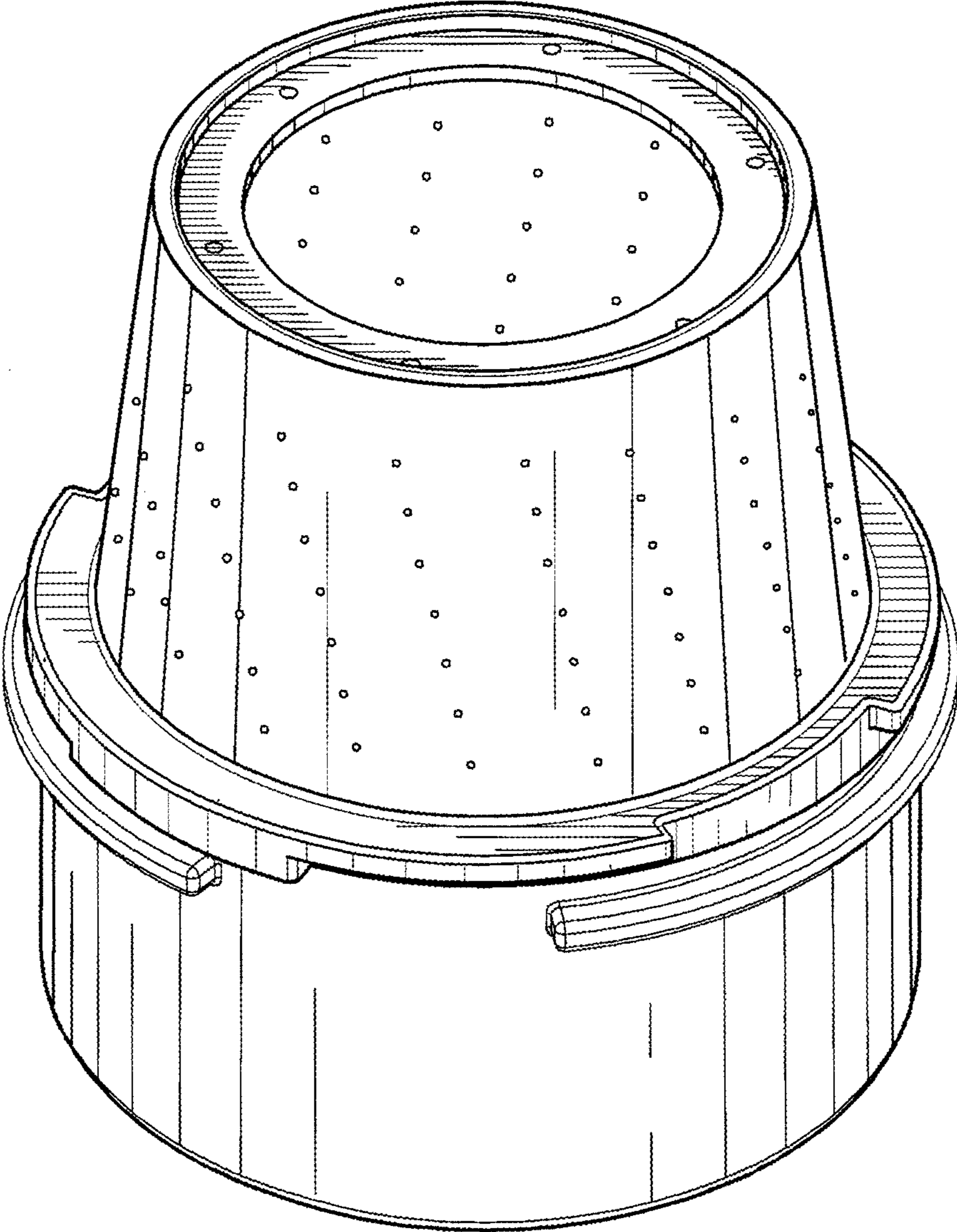


FIG. 1



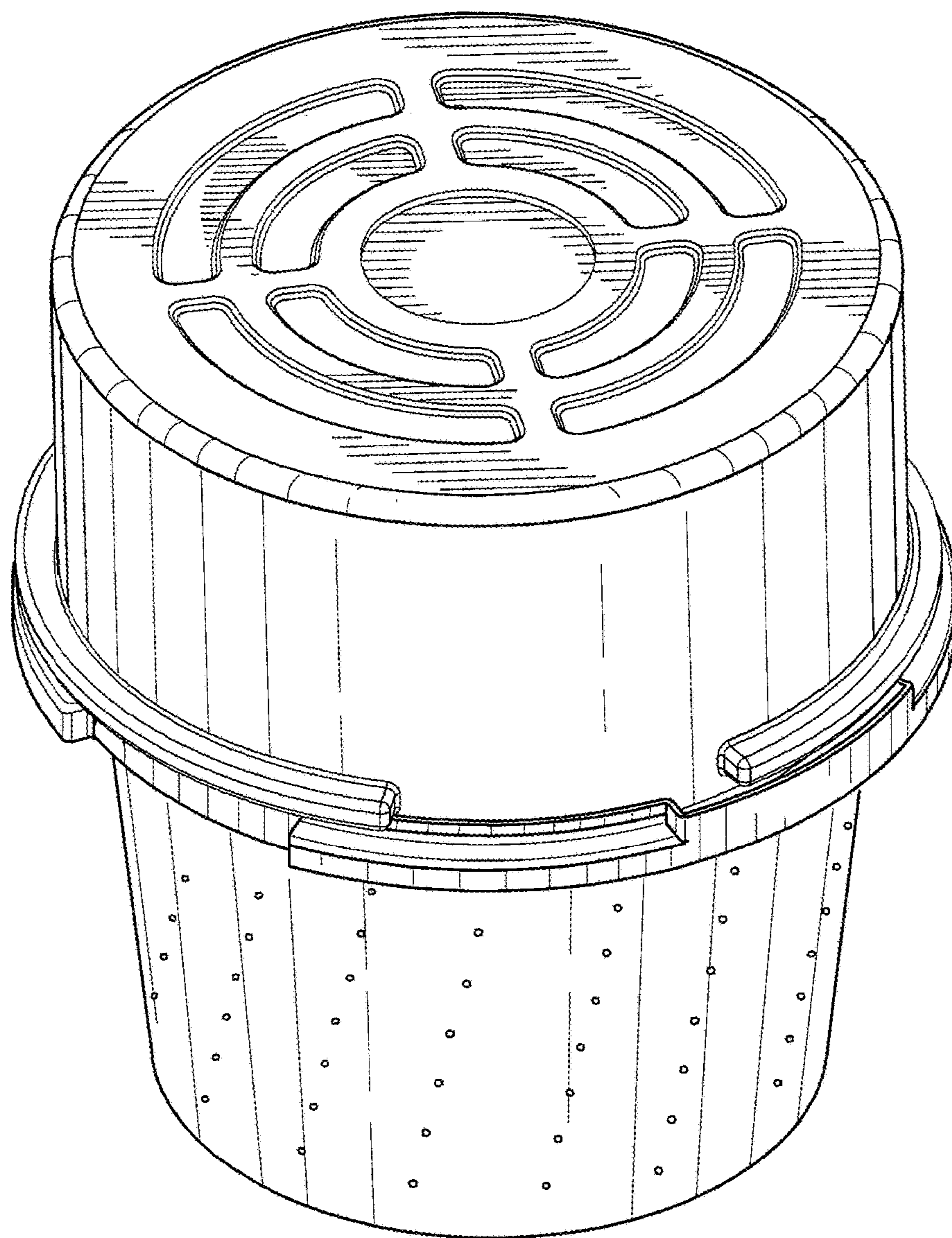


FIG. 2

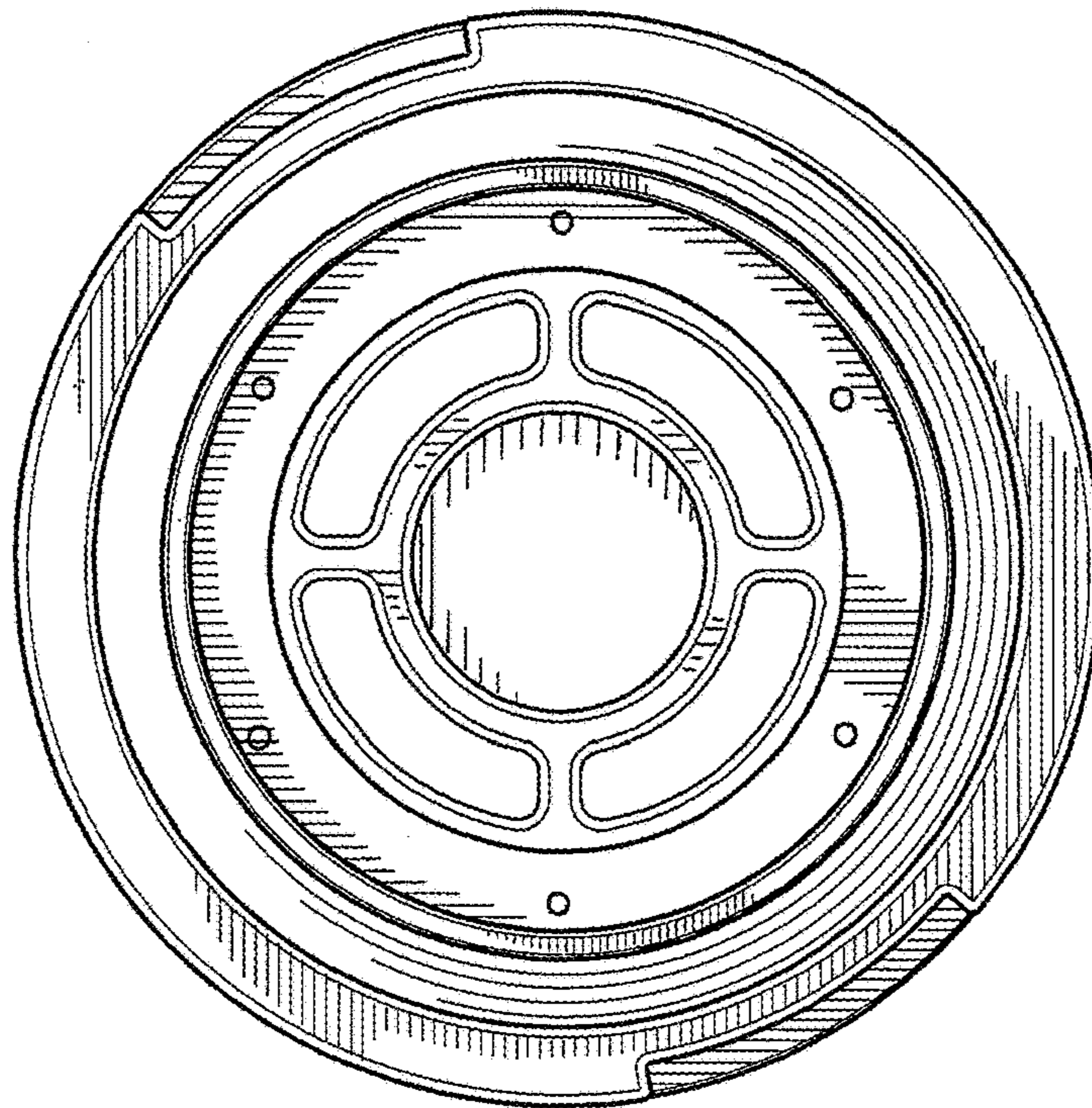


FIG. 3

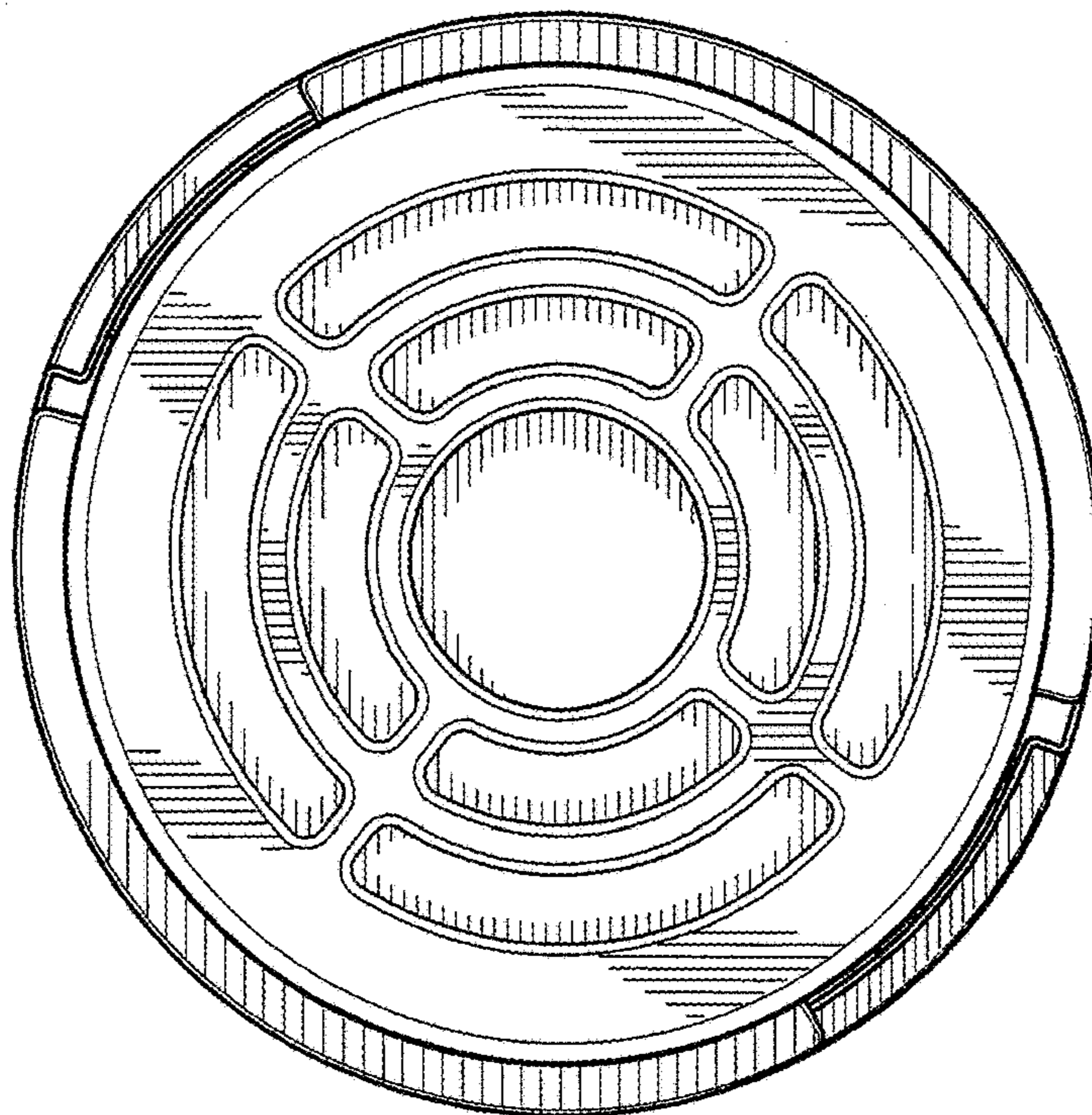


FIG. 4

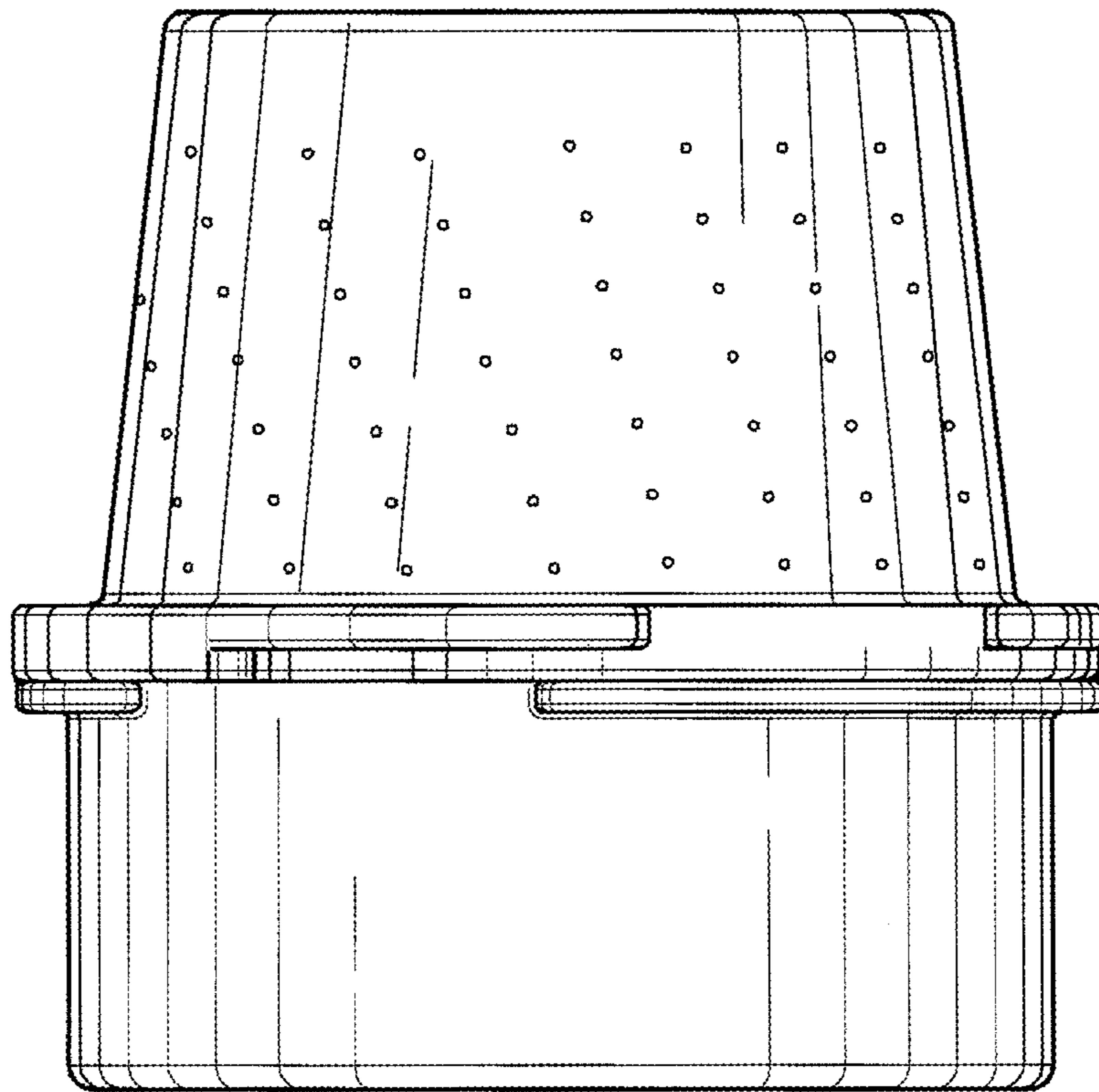


FIG. 5

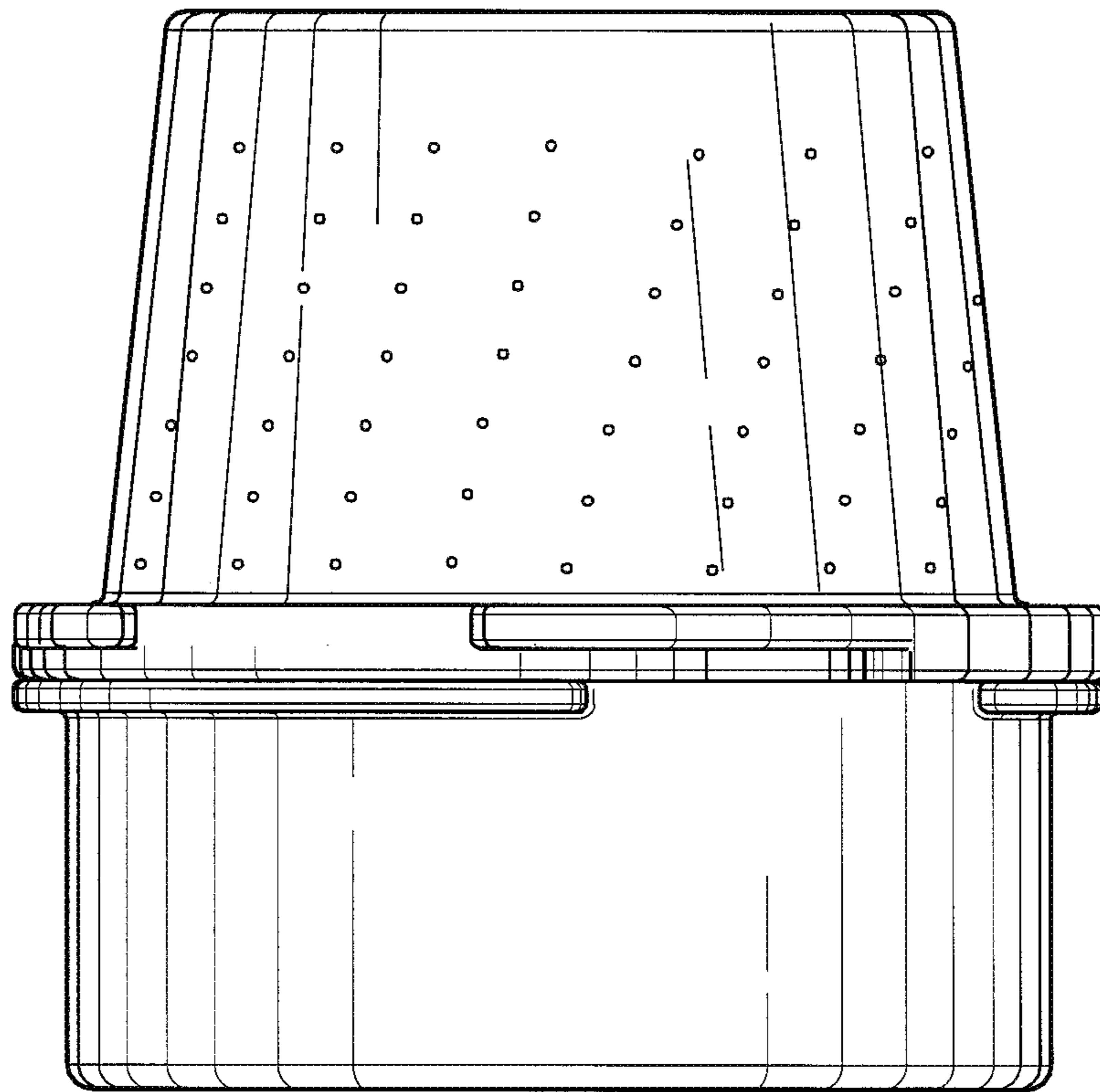


FIG. 6



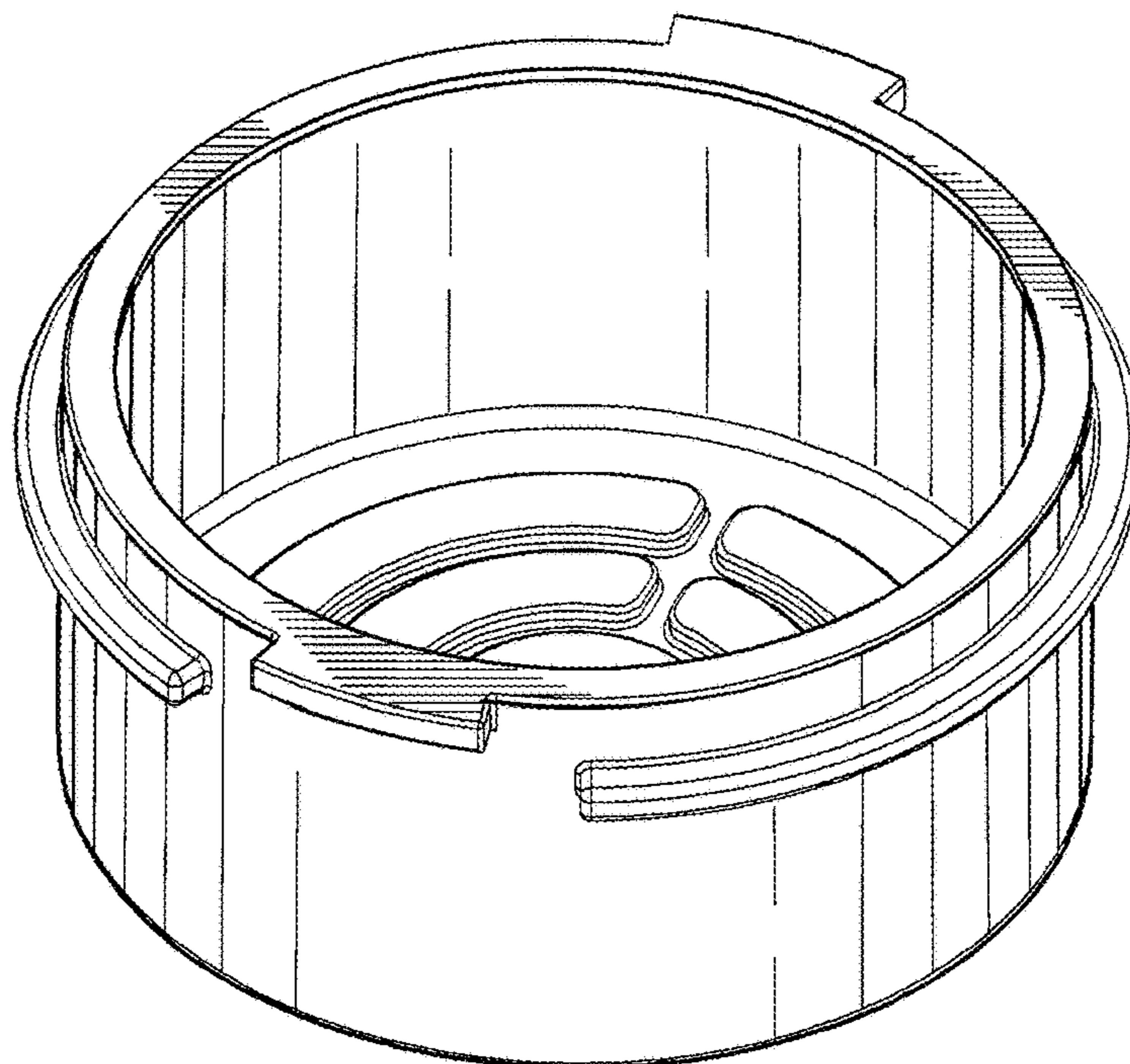


FIG. 7

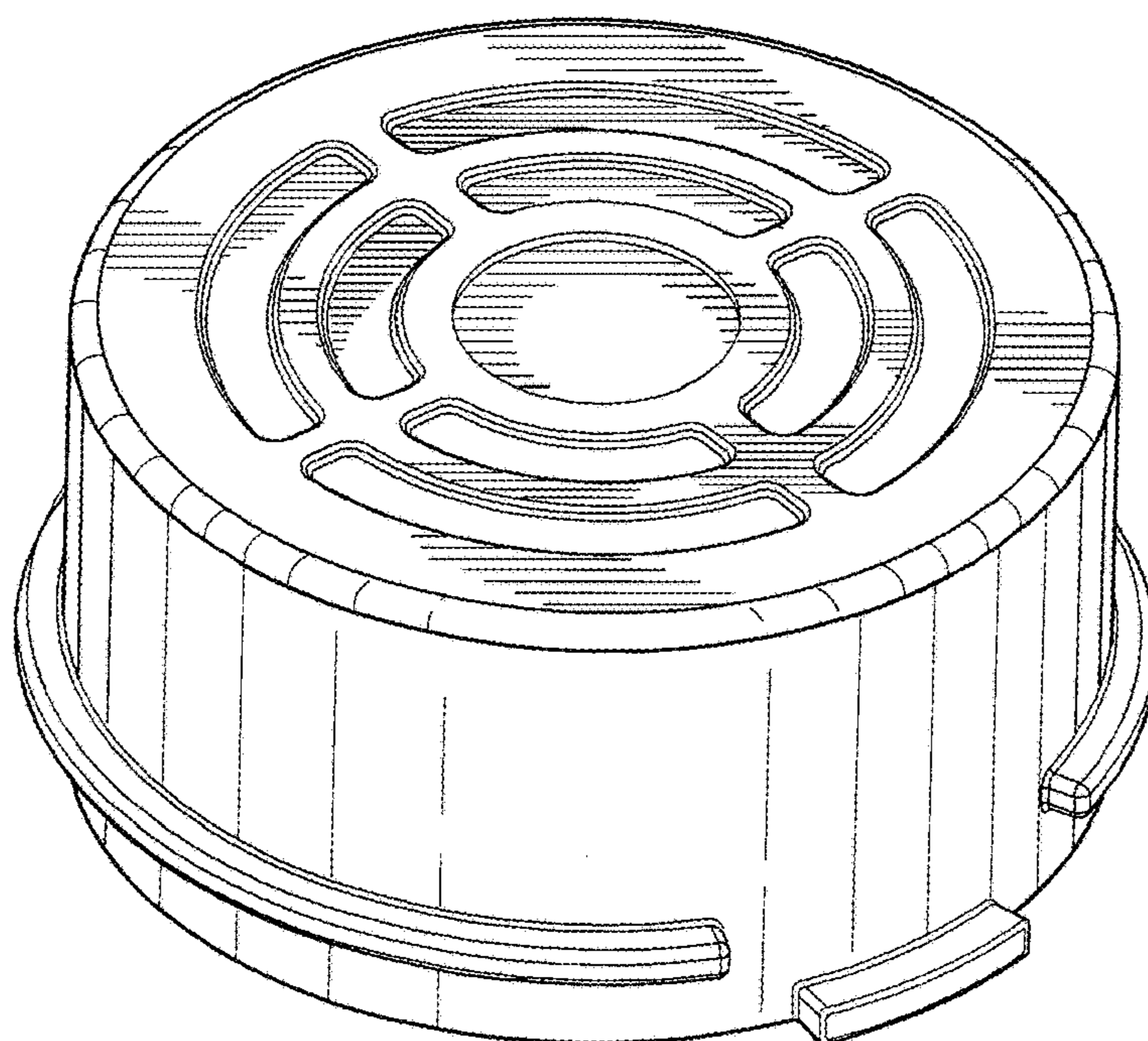


FIG. 8



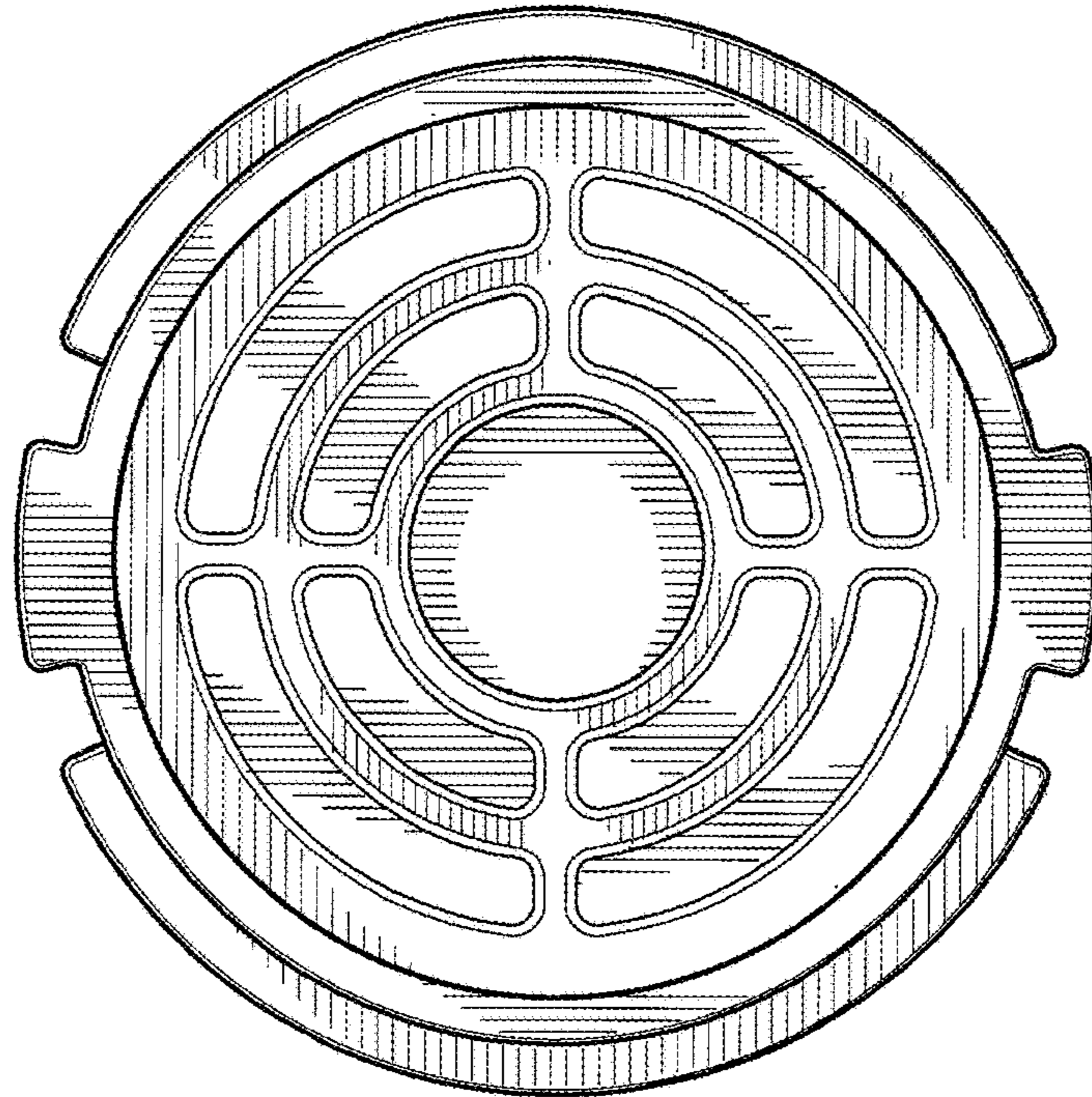


FIG. 9

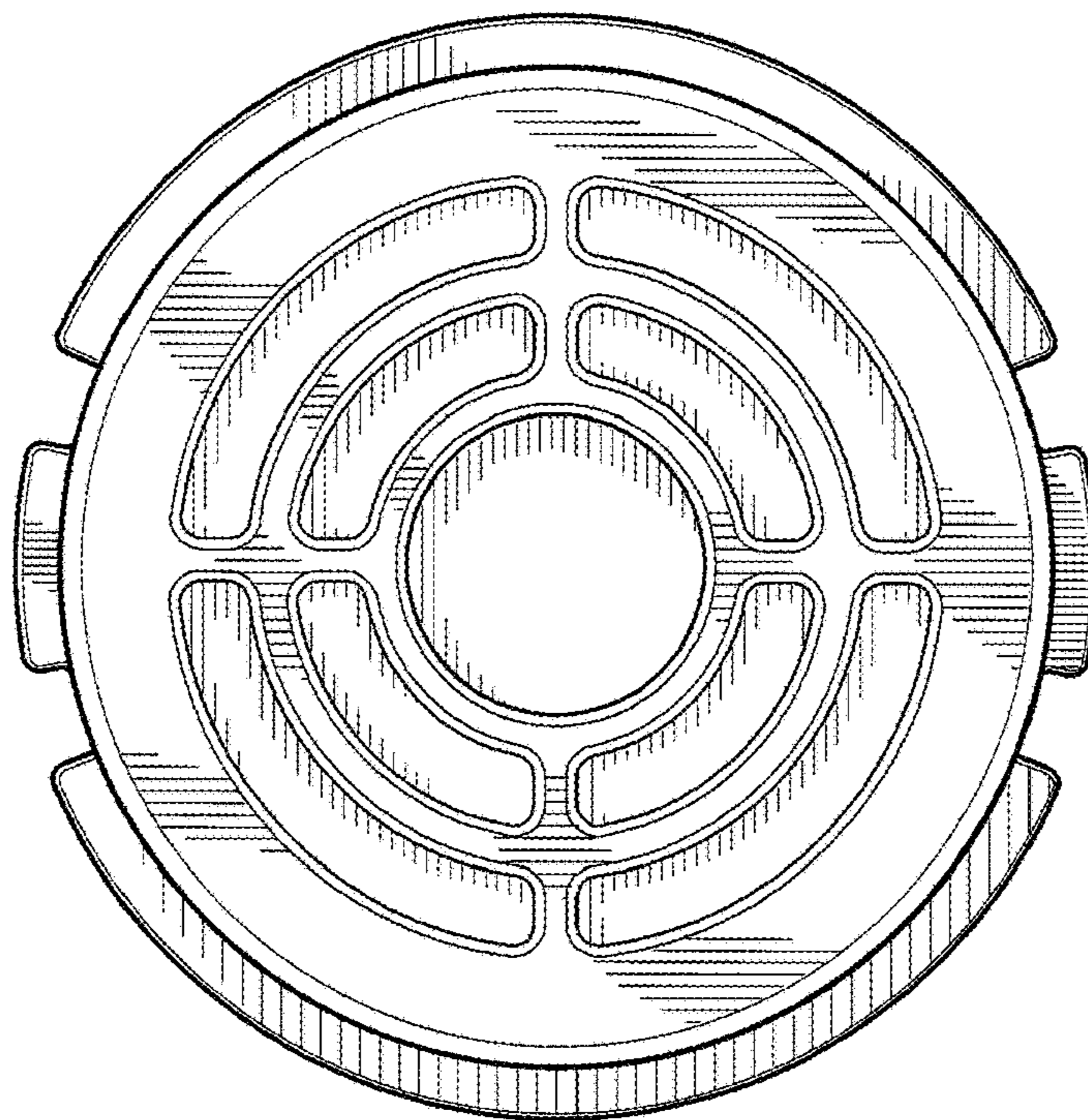


FIG. 10

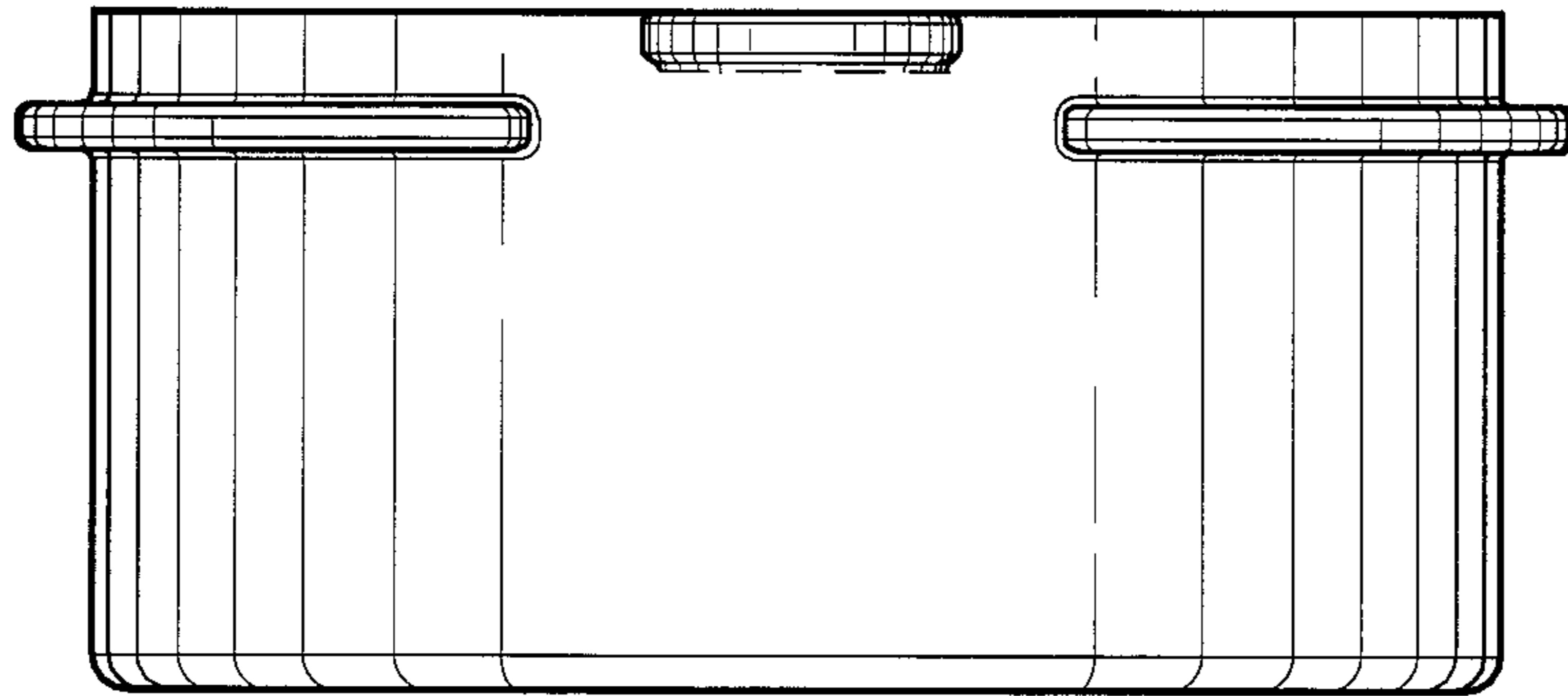


FIG. 11

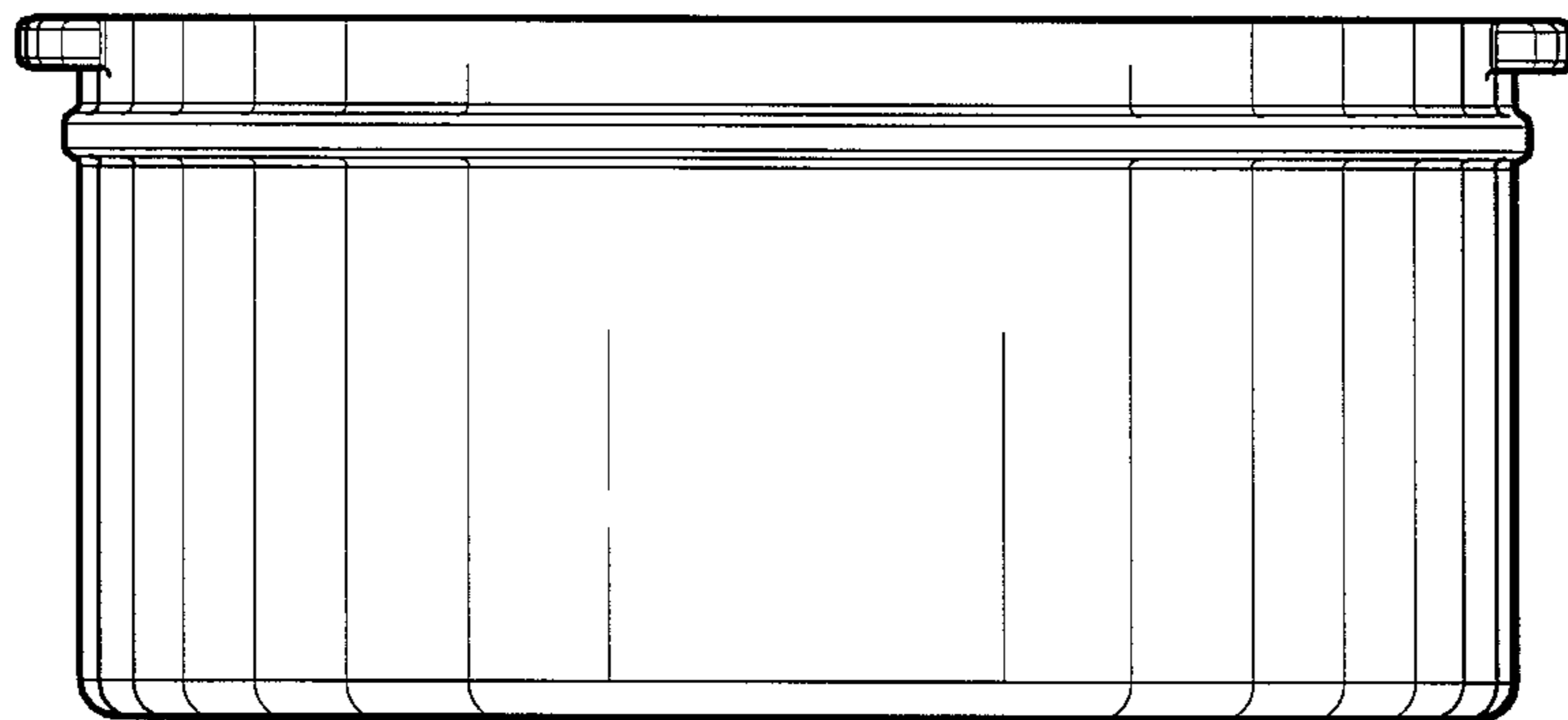


FIG. 12

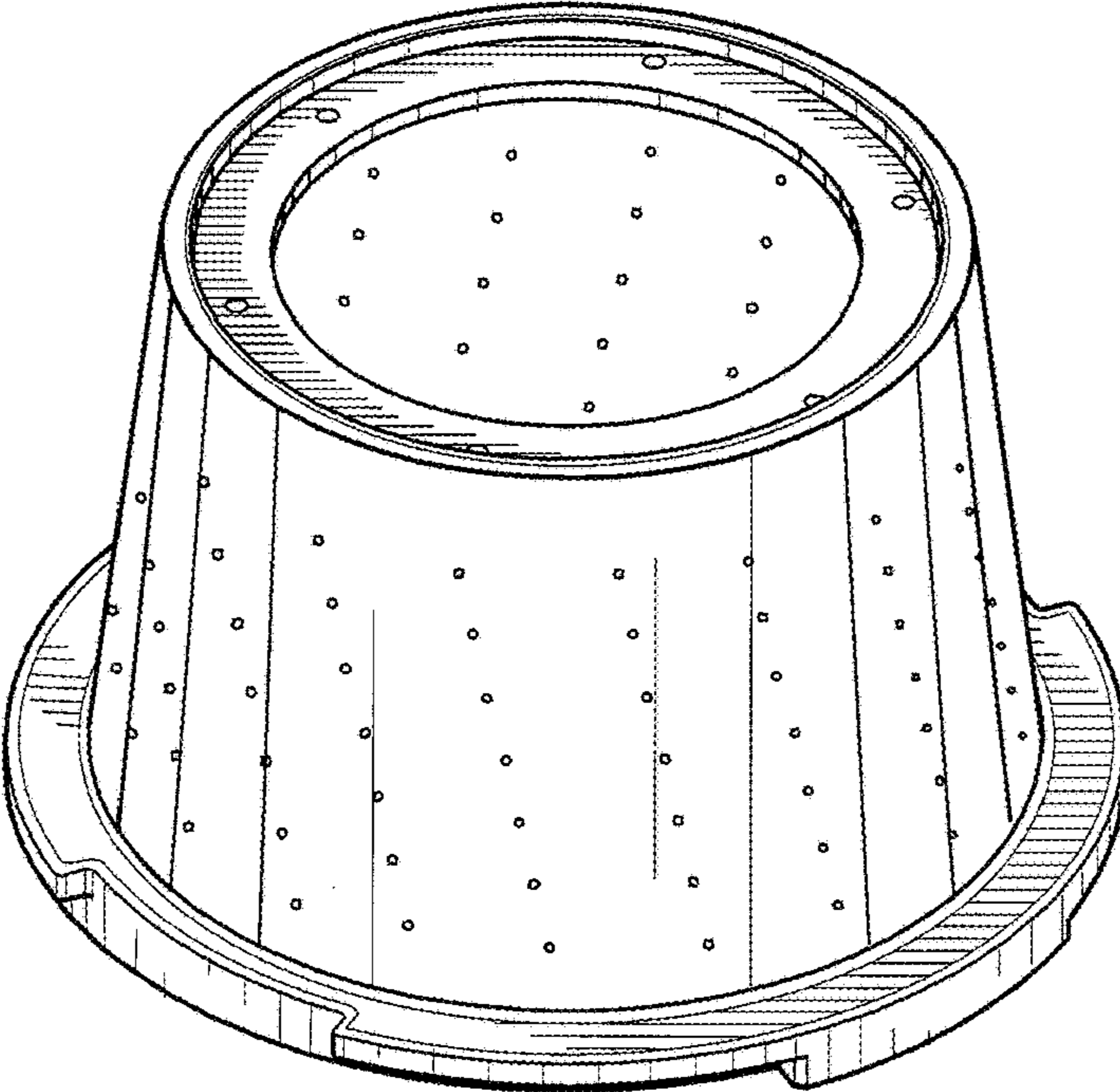


FIG. 13

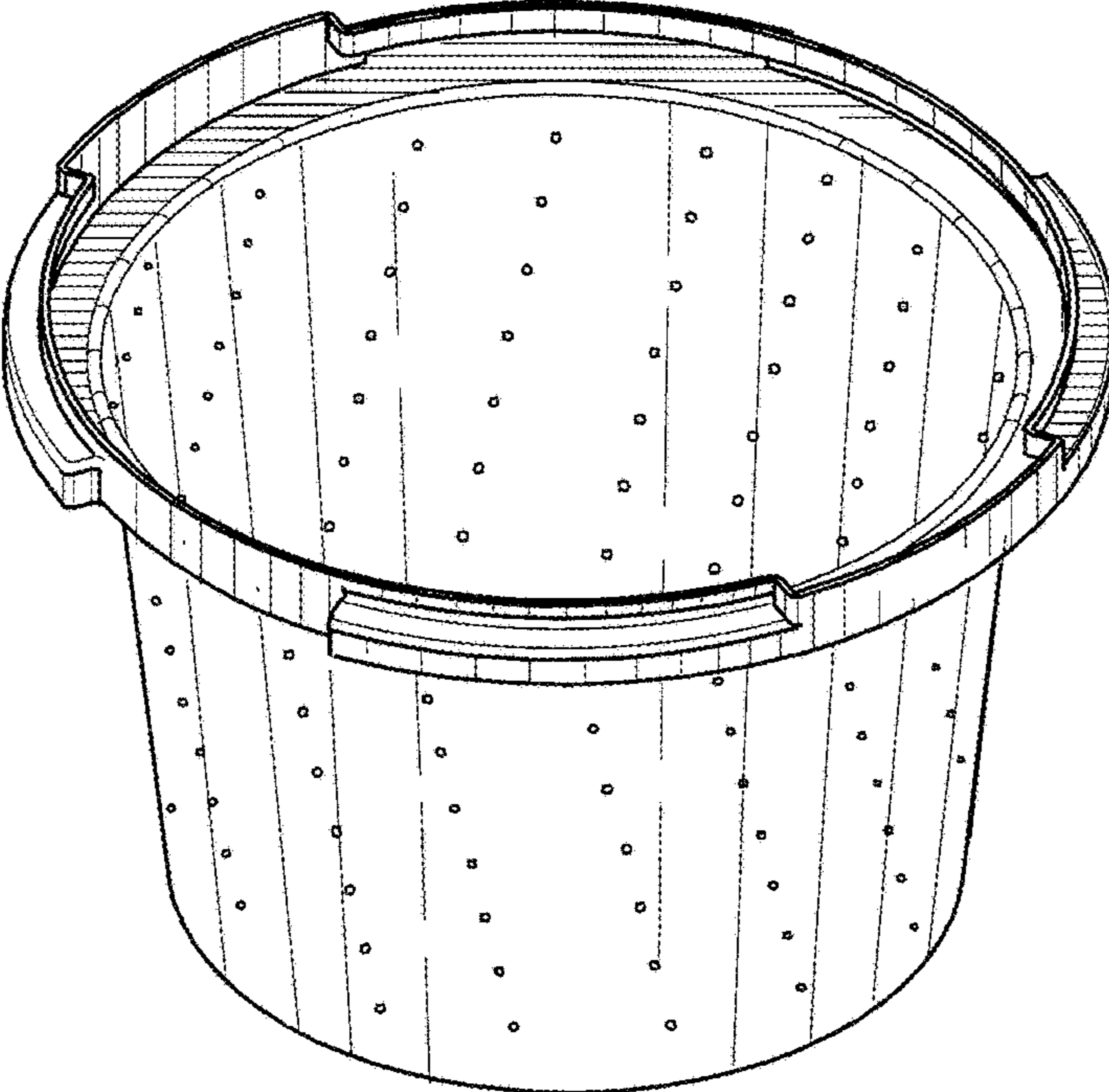


FIG. 14



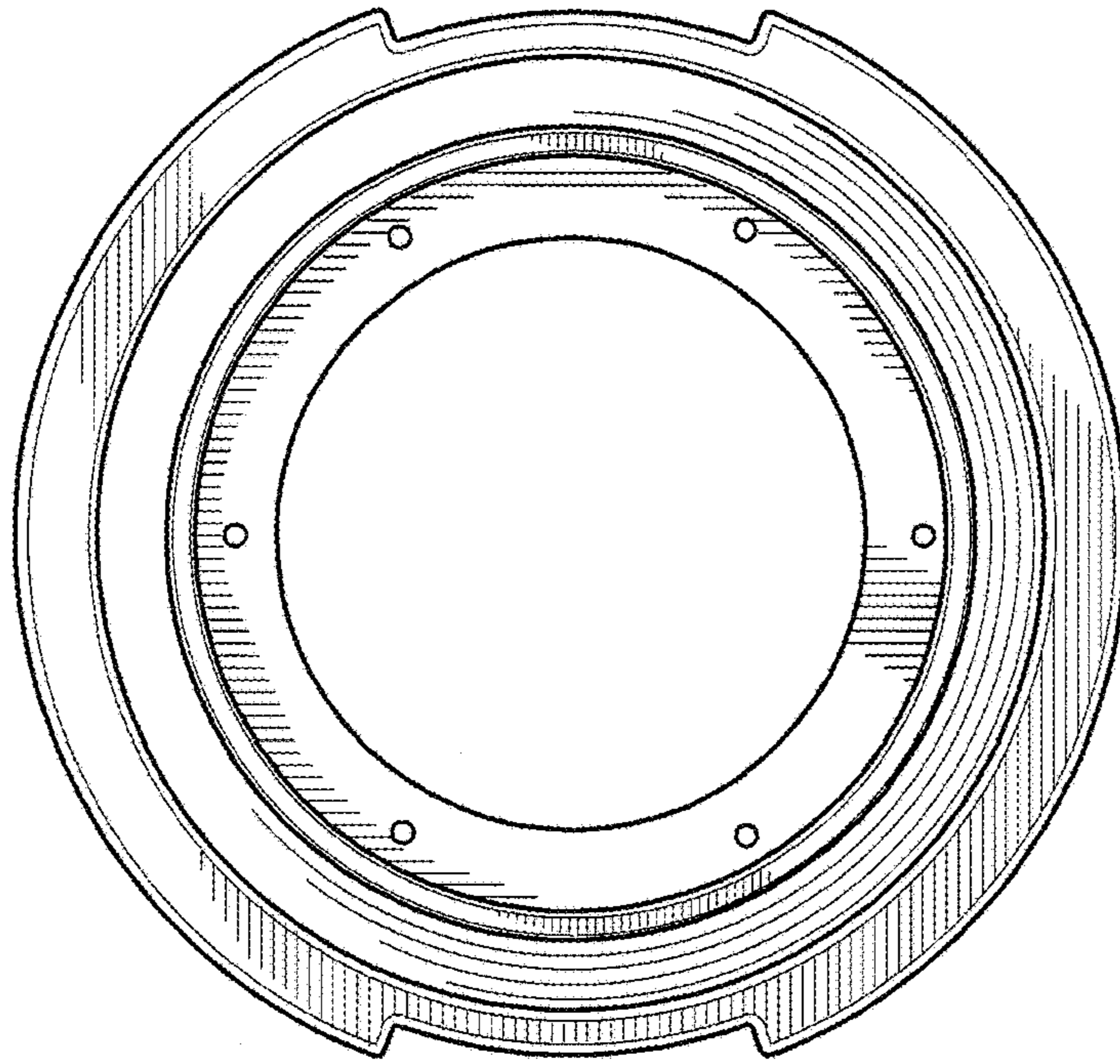


FIG. 15

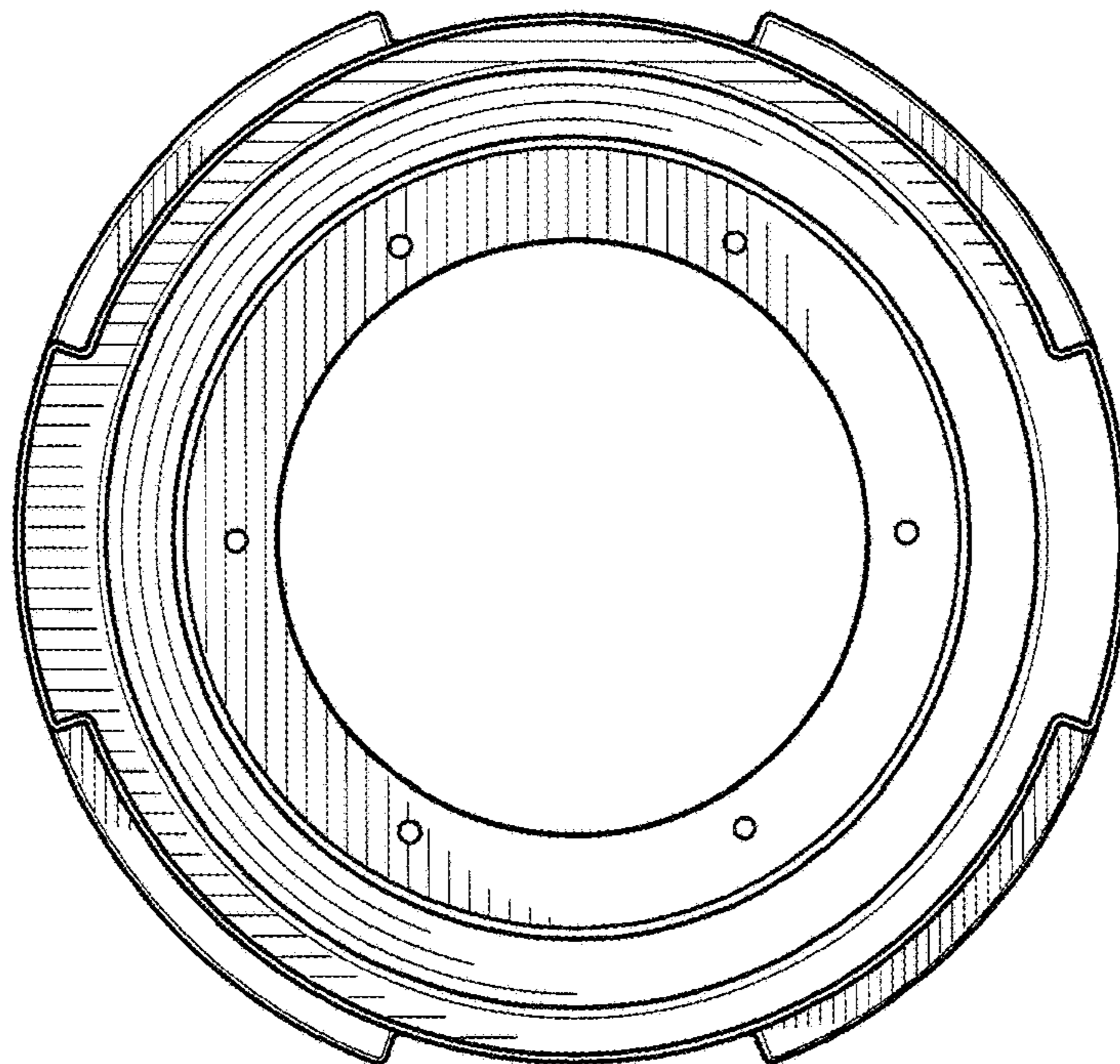


FIG. 16

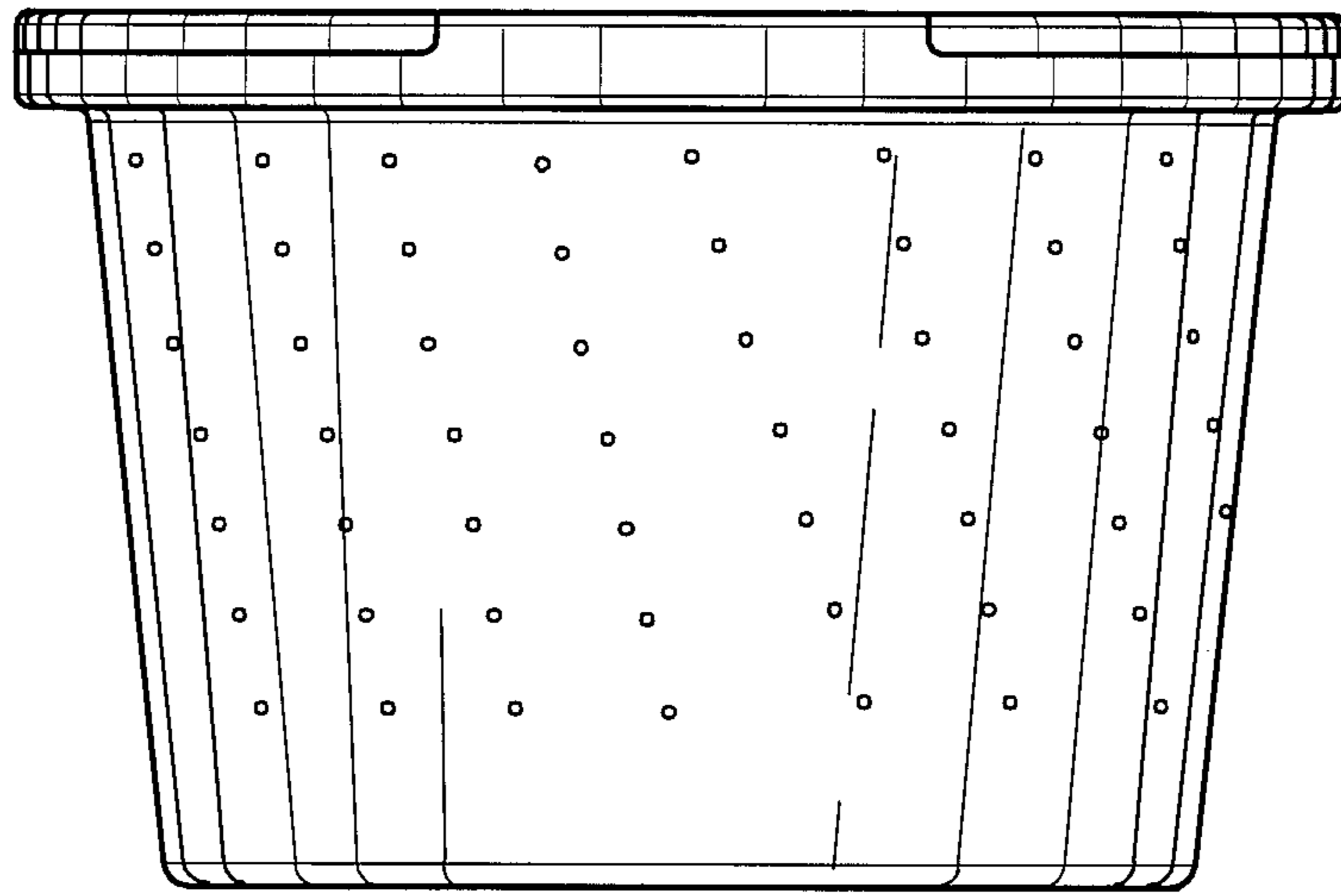


FIG. 17

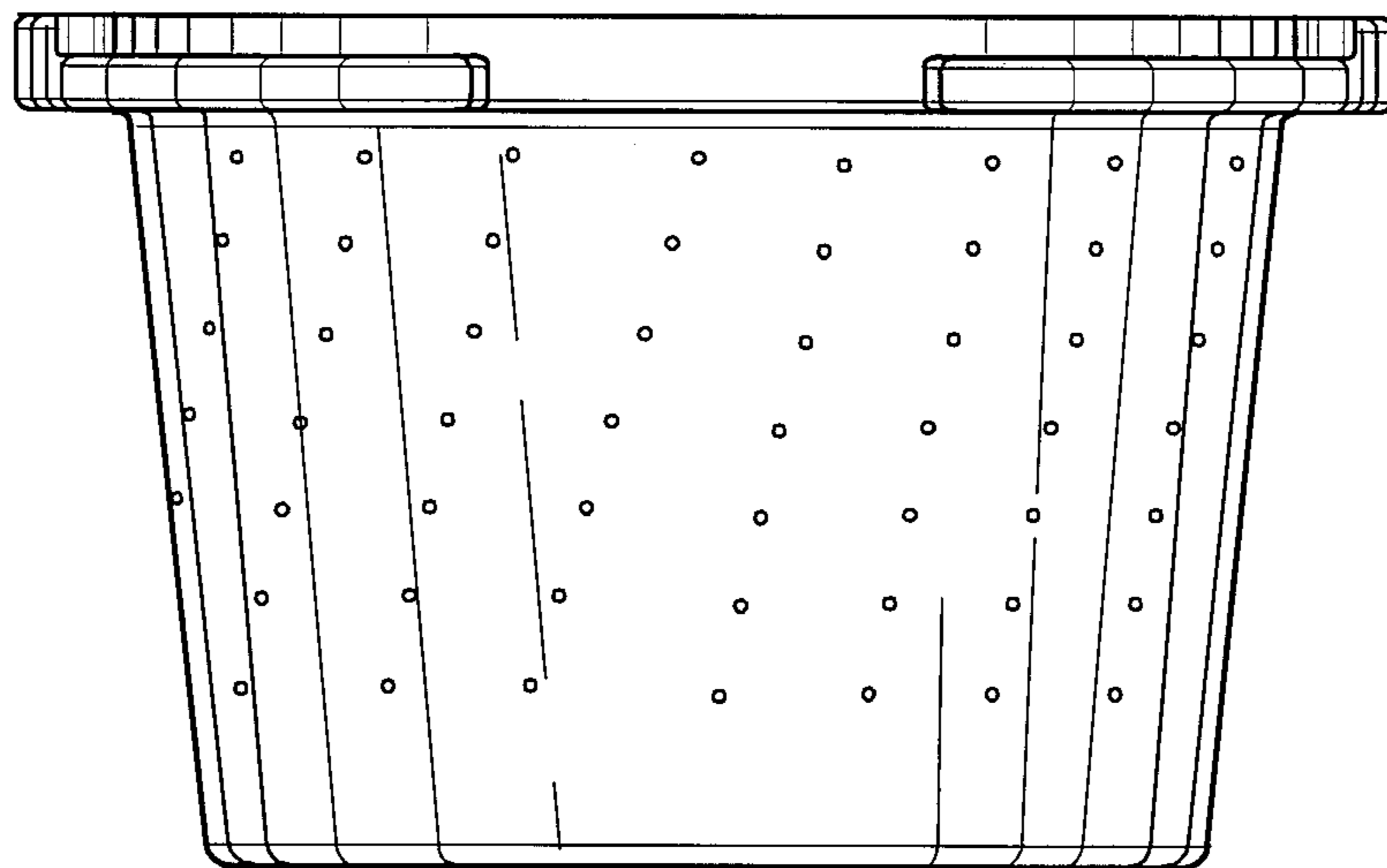


FIG. 18