



US00D835228S

(12) **United States Design Patent** (10) **Patent No.:** **US D835,228 S**
Sarimaa et al. (45) **Date of Patent:** **** Dec. 4, 2018**

(54) **BED BUG MONITORING FURNITURE LEG** 1,305,553 A * 6/1919 Kruse A01M 29/34
 43/131
 (71) Applicant: **LUTEIDEN TORJUNTA HELLE** 1,450,662 A * 4/1923 Biggs A01M 29/34
OY, Turku (FI) 43/109
 1,471,630 A * 10/1923 Parrella A01M 29/34
 43/109
 (72) Inventors: **Vertti Sarimaa, Turku (FI); Aku** 5,018,299 A * 5/1991 Peek A01M 1/02
Viskari, Turku (FI) 43/107
 (73) Assignee: **LUTEIDEN TORJUNTA HELLE** D639,895 S * 6/2011 Schneidmiller D22/122
OY, Turku (FI) 8,316,578 B2 * 11/2012 Faham A01M 1/023
 43/107
 (**) Term: **15 Years** D681,153 S * 4/2013 Nordyke D22/122
 8,707,615 B2 * 4/2014 Cullen A01M 29/34
 43/123
 (21) Appl. No.: **29/614,703** 8,966,812 B2 * 3/2015 McKnight A01M 1/023
 43/123

* cited by examiner

Primary Examiner — Catherine R Oliver-Garcia
(74) *Attorney, Agent, or Firm* — Young & Thompson

(30) **Foreign Application Priority Data**

Feb. 22, 2017 (EM) 003762525-0001

(51) **LOC (11) Cl.** **22-06**

(52) **U.S. Cl.**
USPC **D22/122**

(58) **Field of Classification Search**
USPC D22/119–124; 43/107, 109, 112–114,
43/121–124, 131, 132.1; D6/329, 334
CPC A01M 1/02; A01M 1/10; A01M 1/14;
A01M 1/023; A01M 1/103; A01M 29/34;
A47B 91/14
See application file for complete search history.

(56) **References Cited**

U.S. PATENT DOCUMENTS

431,815 A * 7/1890 Linder et al. A01M 29/34
43/109
460,429 A * 9/1891 Conrad A01M 29/34
43/109

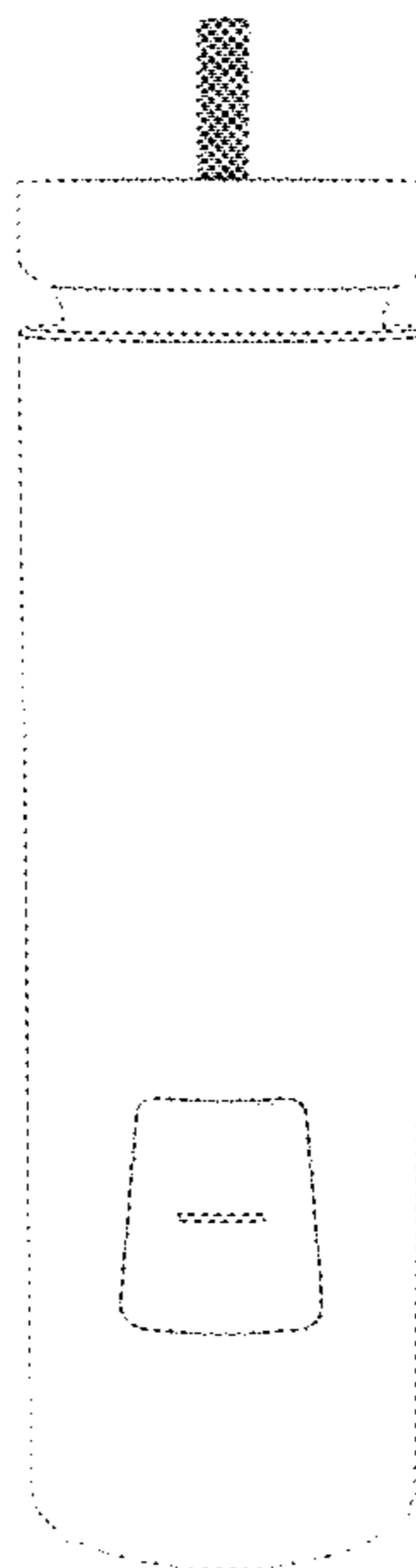
(57) **CLAIM**

The ornamental design for a bed bug monitoring furniture leg, as shown and described.

DESCRIPTION

FIG. 1 is a front elevation view of a bed bug monitoring furniture leg showing the new design;
FIG. 2 is a rear elevation view thereof;
FIG. 3 is a side elevation view thereof, wherein the opposite side appears the same in mirror image;
FIG. 4 is a top plan view thereof;
FIG. 5 is a bottom plan view thereof;
FIG. 6 is an enlarged view of the upper portion thereof; and,
FIG. 7 is a top, front, and side perspective view thereof in an alternate configuration wherein a chamber is opened.

1 Claim, 7 Drawing Sheets



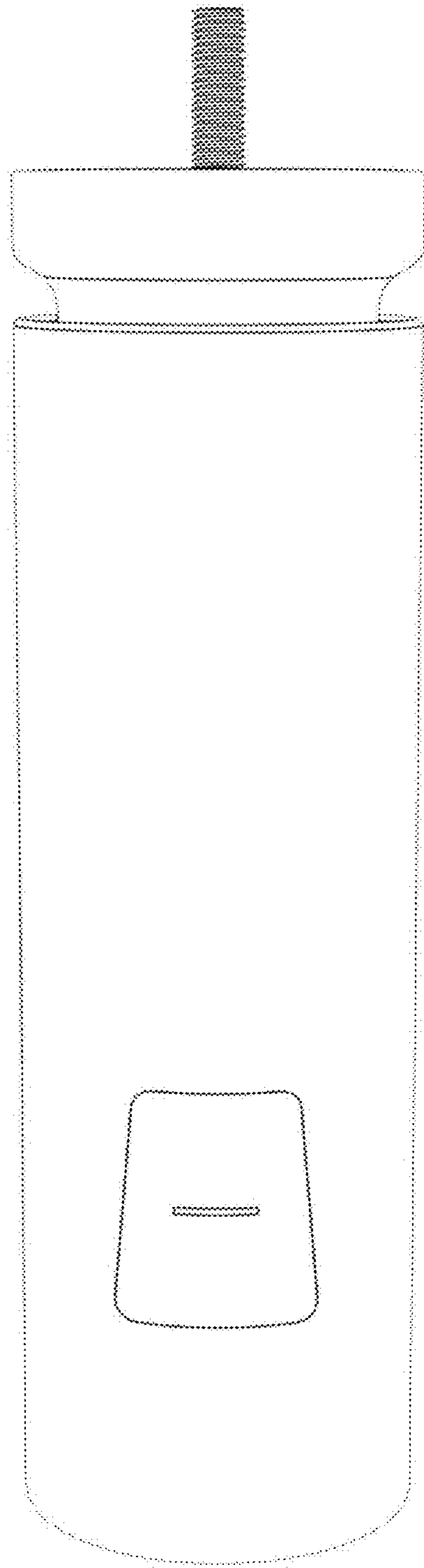


FIG. 1

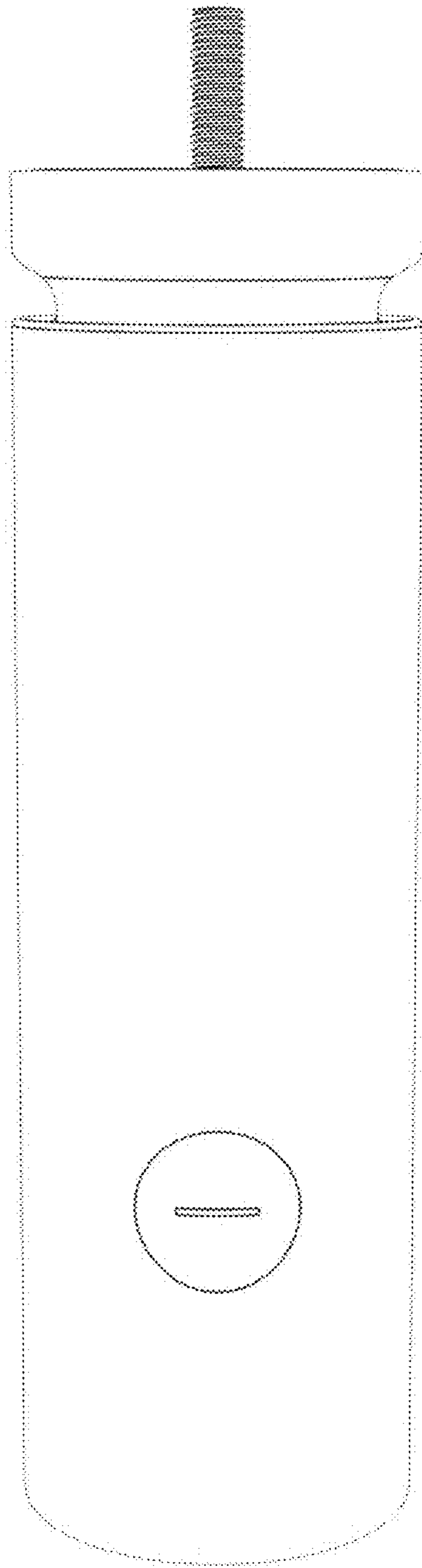


FIG. 2

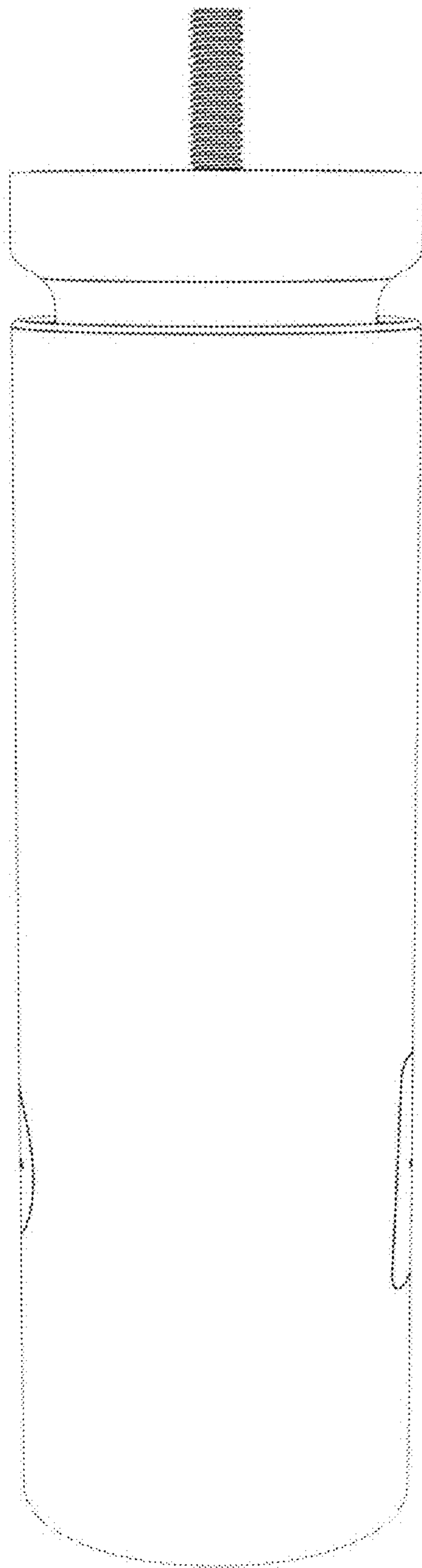


FIG. 3

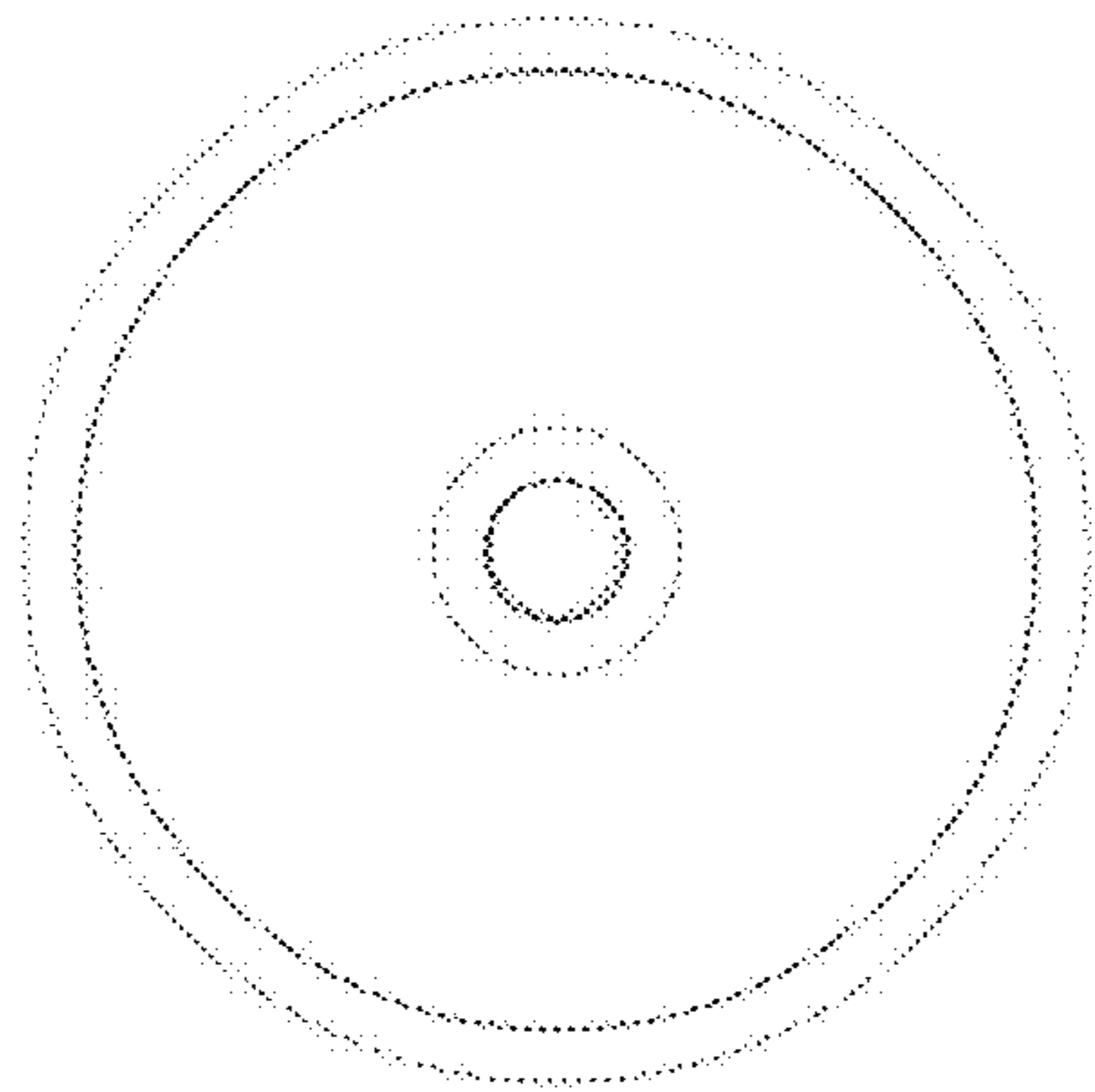


FIG. 4

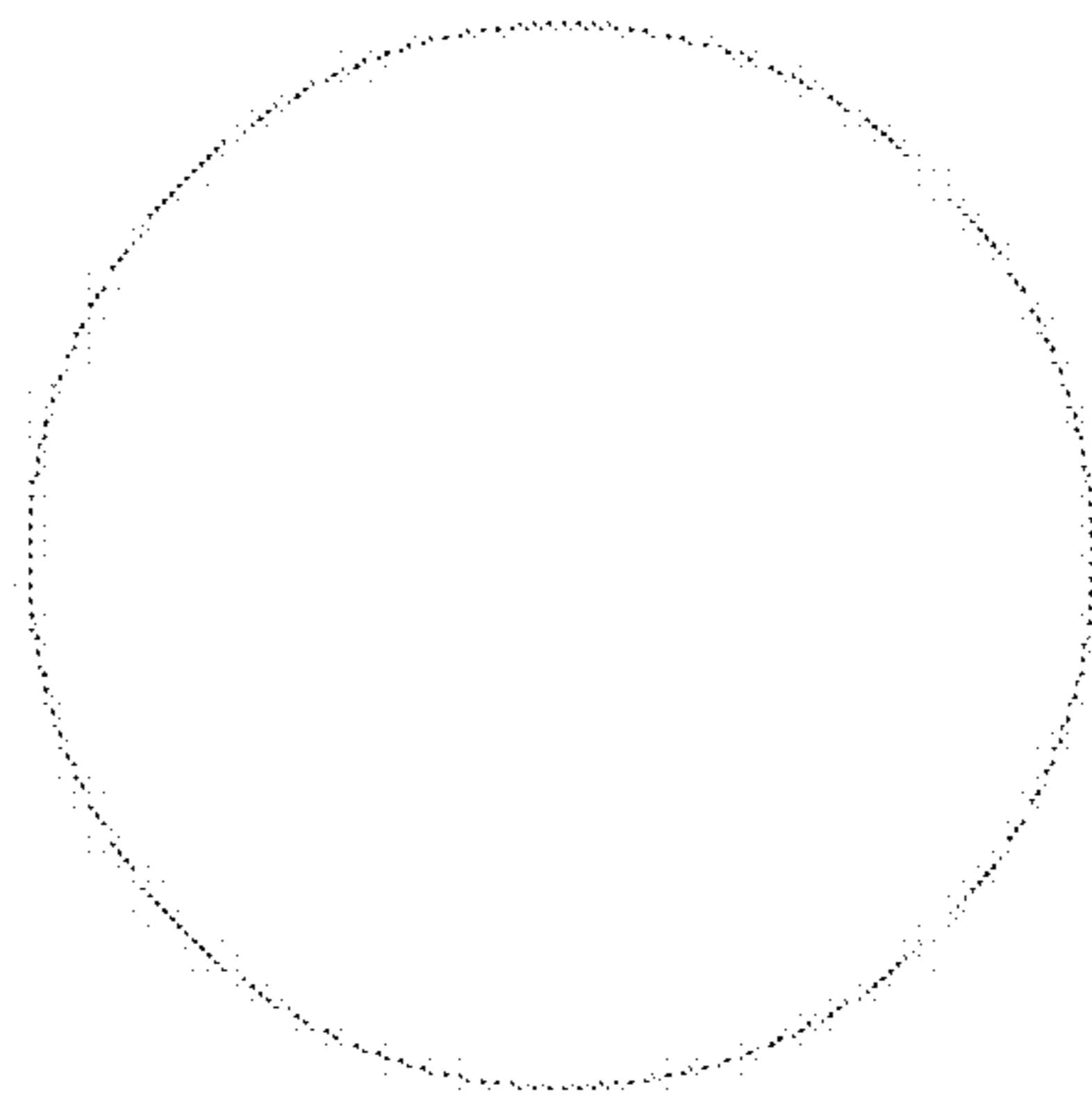


FIG. 5

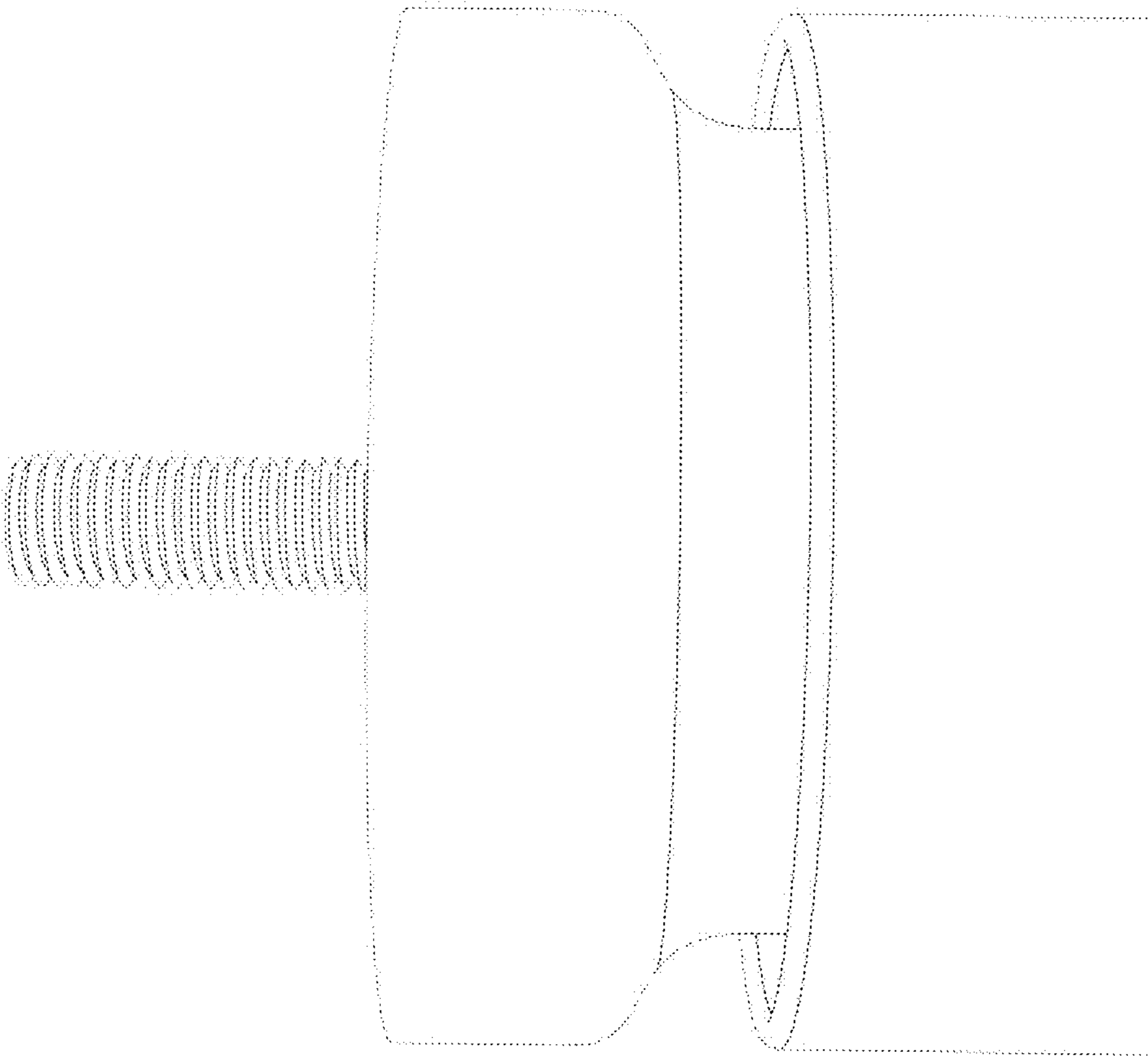


FIG. 6

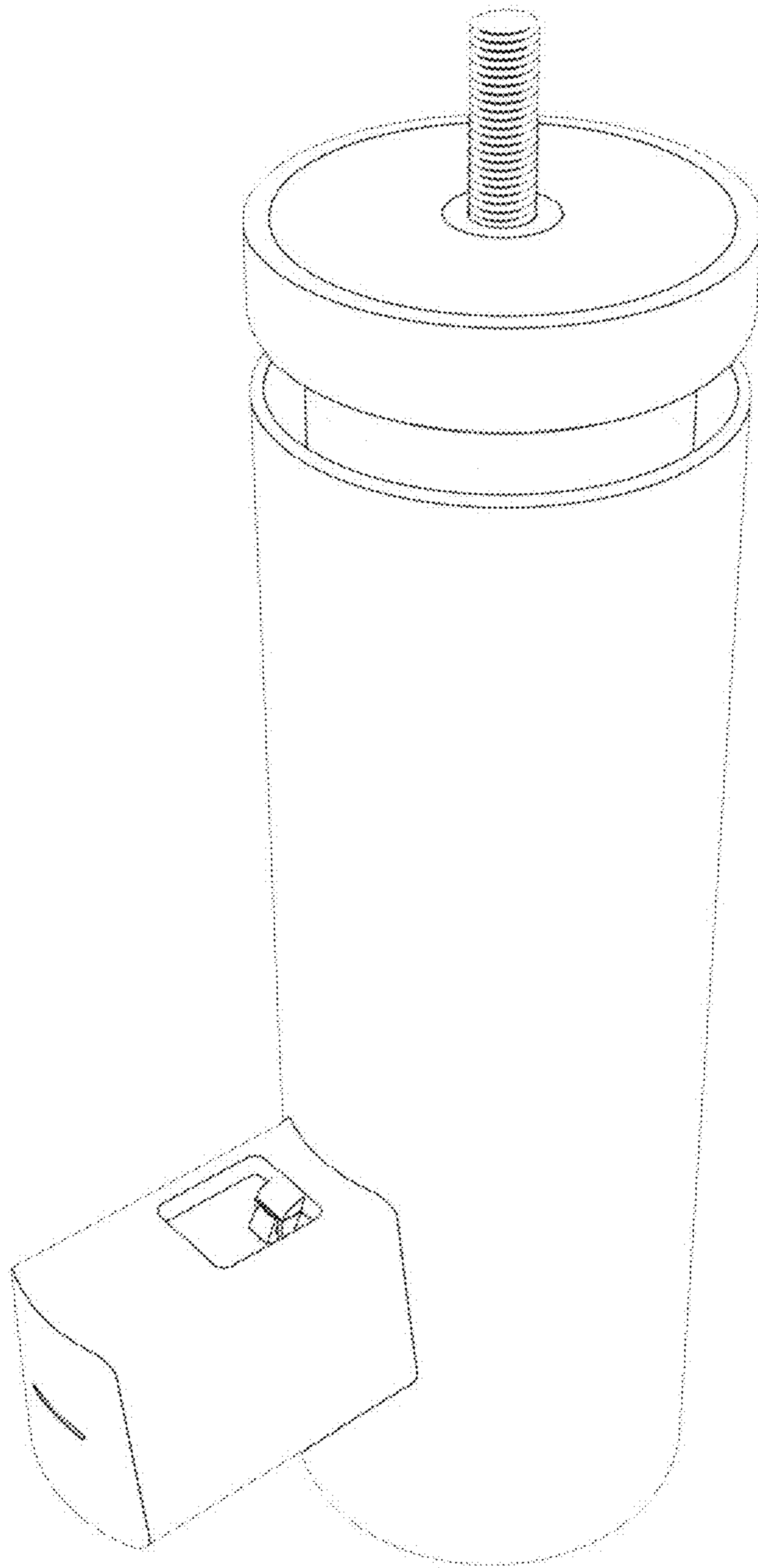


FIG. 7