



US00D835226S

(12) **United States Design Patent** (10) **Patent No.:** **US D835,226 S**
Haman (45) **Date of Patent:** **** Dec. 4, 2018**

(54) **MUZZLE BRAKE**
(71) Applicant: **F1 RESEARCH, LLC—PATENTS SERIES**, Spring, TX (US)
(72) Inventor: **Kyle Haman**, Kerrville, TX (US)
(73) Assignee: **F-1 Research LLC**, Spring, TX (US)
(**) Term: **15 Years**
(21) Appl. No.: **29/596,223**
(22) Filed: **Mar. 7, 2017**
(51) **LOC (11) Cl.** **22-01**
(52) **U.S. Cl.**
USPC **D22/108**
(58) **Field of Classification Search**
USPC D22/100, 101, 103, 104, 108–110;
89/14.3, 14.05, 14.2, 14.4, 27.12; 42/79,
42/97, 51, 66, 67, 70.01; 181/223;
D21/572–575
CPC F41A 21/325; F41A 21/28; F41A 21/32;
F41A 21/34; F41A 21/36; F41A 21/41
See application file for complete search history.

D720,031 S * 12/2014 Buffoni D22/108
D729,894 S * 5/2015 DeLuca D22/108
9,046,316 B1 * 6/2015 Young F41A 21/30
D737,922 S * 9/2015 Pace D22/108
D746,937 S * 1/2016 Larson, Jr. D22/108
D747,429 S * 1/2016 Larson, Jr. D22/108
(Continued)

OTHER PUBLICATIONS

5.56 Flat Faced Compensating Brake, F-1Firearms.com, [online], [site visited Apr. 19, 2018]. <URL: <http://f-1firearms.com/5-56-flat-faced-compensating-brake/>> (Year: 2018).*
(Continued)

Primary Examiner — T Chase Nelson
Assistant Examiner — Jonathan J. Han
(74) *Attorney, Agent, or Firm* — Dossey & Jones, PLLC; Phillip Black; James P. Dossey

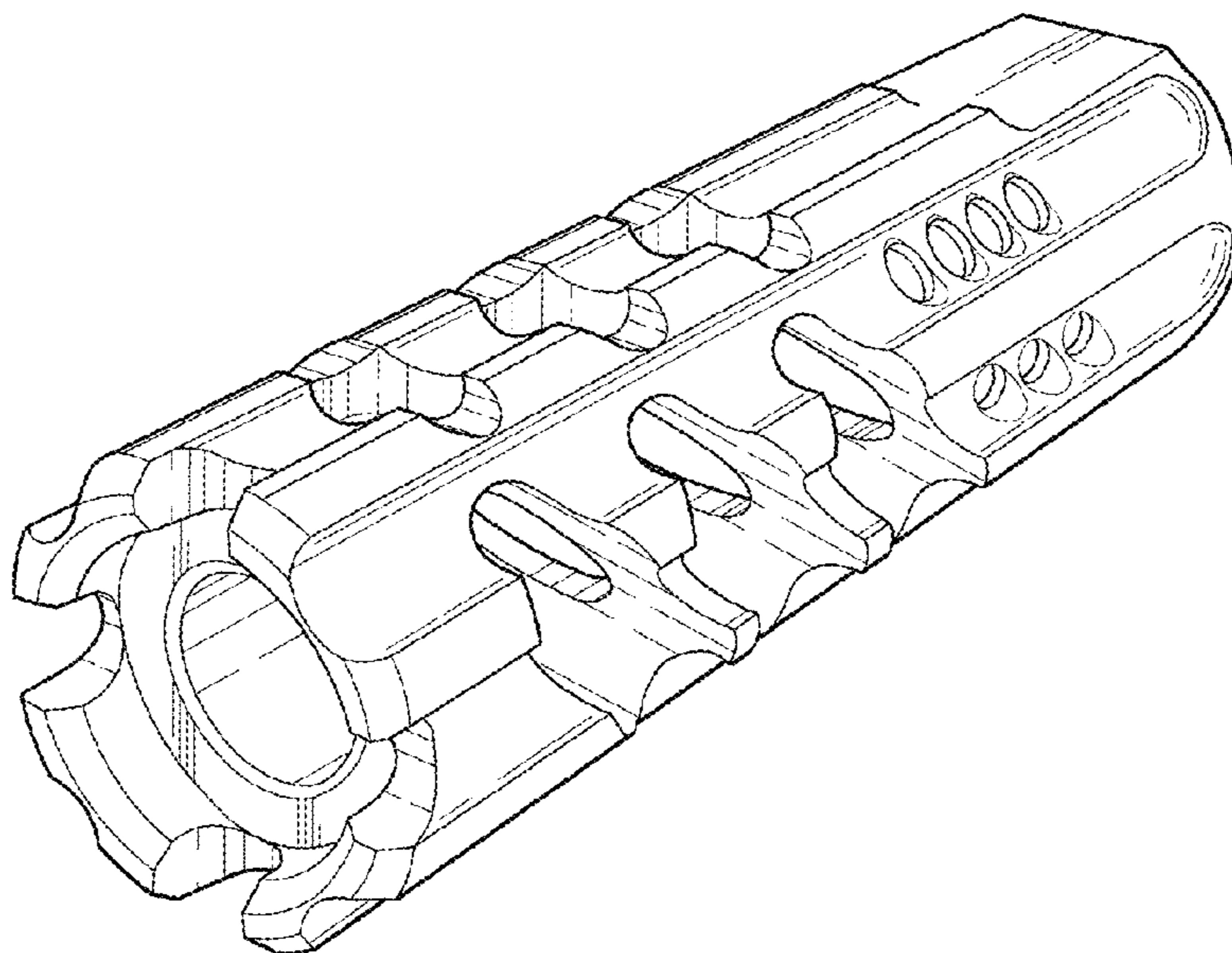
(57) **CLAIM**
The ornamental design for a muzzle brake, as shown and described.

DESCRIPTION

FIG. 1 is front perspective view of the muzzle brake disclosed herein;
FIG. 2 is a top view of the muzzle brake disclosed herein;
FIG. 3 is a bottom view of the muzzle brake disclosed herein;
FIG. 4 is a left view of the muzzle brake disclosed herein;
FIG. 5 is a right view of the muzzle brake disclosed herein;
FIG. 6 is a front view of the muzzle brake disclosed herein; and,
FIG. 7 is a rear view of the muzzle brake disclosed herein. The broken lines in the drawings are used to illustrate unclaimed portions and do not form a part of the claimed design.

1 Claim, 3 Drawing Sheets

(56) **References Cited**
U.S. PATENT DOCUMENTS
2,656,637 A * 10/1953 Richards F41A 21/42
42/79
6,722,254 B1 * 4/2004 Davies F41A 21/36
42/1.06
D666,687 S * 9/2012 Nierenberg D22/108
8,418,803 B2 * 4/2013 Findlay F41A 21/30
181/223
D692,086 S * 10/2013 Nierenberg D22/108
D694,355 S * 11/2013 Hormann D22/108
D711,491 S * 8/2014 Nierenberg D22/108
D716,904 S * 11/2014 Oglesby D22/108



(56)

References Cited

U.S. PATENT DOCUMENTS

9,228,789 B1 * 1/2016 Oglesby F41A 21/36
 9,303,939 B1 * 4/2016 Brinkmeyer F41A 21/38
 9,310,152 B1 * 4/2016 Poling F41A 21/36
 D763,395 S * 8/2016 Joplin D22/108
 D767,074 S * 9/2016 Sui D22/108
 D767,076 S * 9/2016 Bebee D22/108
 D779,019 S * 2/2017 Arnedo Vera D22/108
 D783,758 S * 4/2017 Clark D22/108
 D783,762 S * 4/2017 Larson, Jr. D22/108
 D787,621 S * 5/2017 Larson, Jr. D22/108
 D814,599 S * 4/2018 Podgurny D22/108
 2003/0106417 A1 * 6/2003 Vais F41A 21/36
 89/14.3
 2011/0174141 A1 * 7/2011 Adolphsen F41A 21/02
 89/14.3

2012/0180352 A1 * 7/2012 Addis F41A 21/32
 42/1.06
 2016/0169606 A1 * 6/2016 Joplin F41A 21/36
 42/1.06
 2017/0191782 A1 * 7/2017 Bray F41A 21/34

OTHER PUBLICATIONS

Dragon Slay-AR Brake, F-1Firearms.com, [online], [site visited Apr. 19, 2018]. <URL: <http://f-1firearms.com/dragon-slay-ar-brake/>> (Year: 2018).
 New F-1 CMB-DS (Dragon Slay-AR) muzzle brake, Facebook.com, F-1 Firearms LLC, Jan. 26, 2017, [online], [site visited Apr. 19, 2018]. <URL: <https://www.facebook.com/F1Firearms/videos/602449253277056/>> (Year: 2017).
 5.56 / 223 CAL V.P.R. Muzzle Brake, Jlbillet.com, [online], [site visited Apr. 19, 2018]. <URL: <http://www.jlbillet.com/5-56-223-cal-v-p-r-muzzle-brake/>> (Year: 2018).*

* cited by examiner

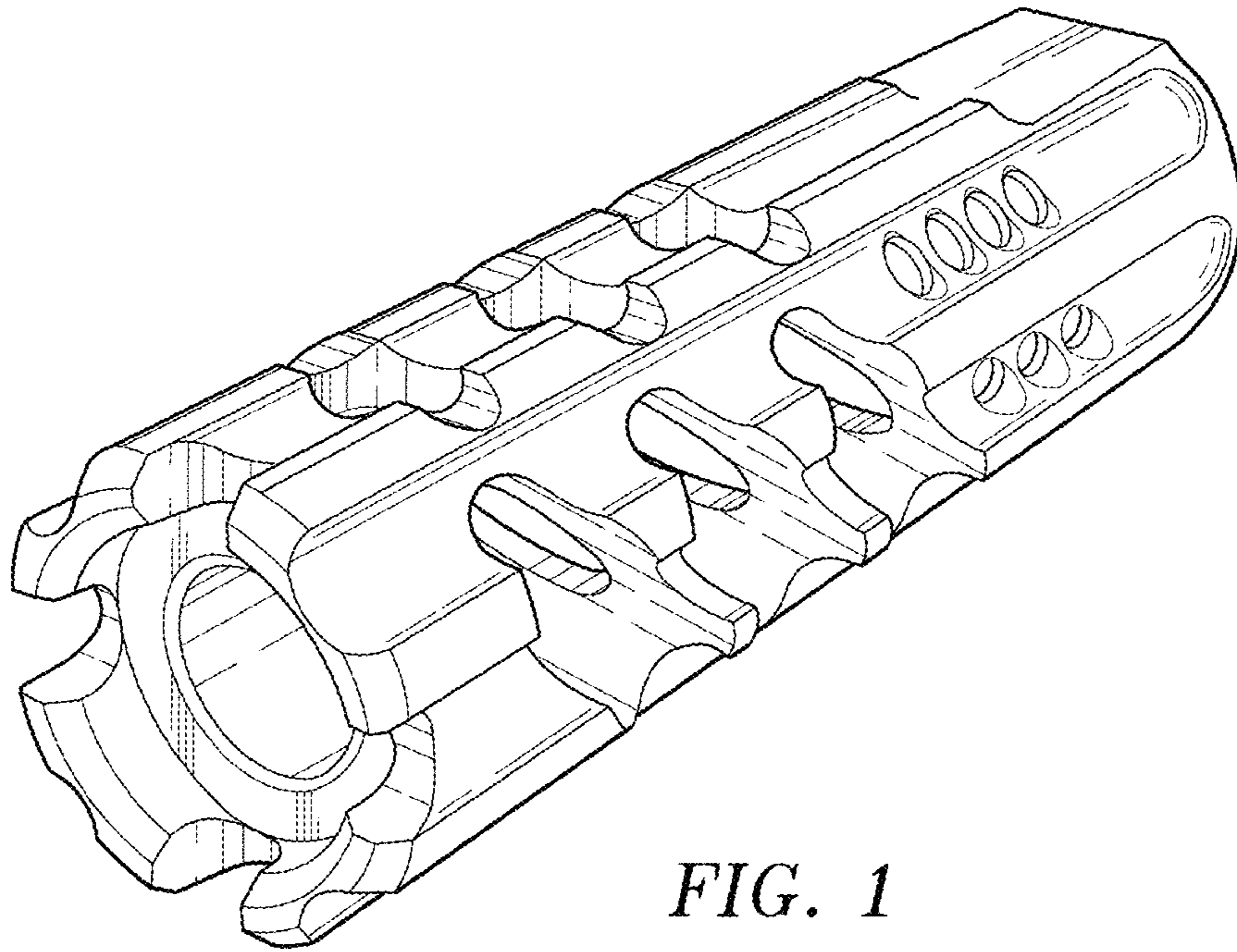


FIG. 1

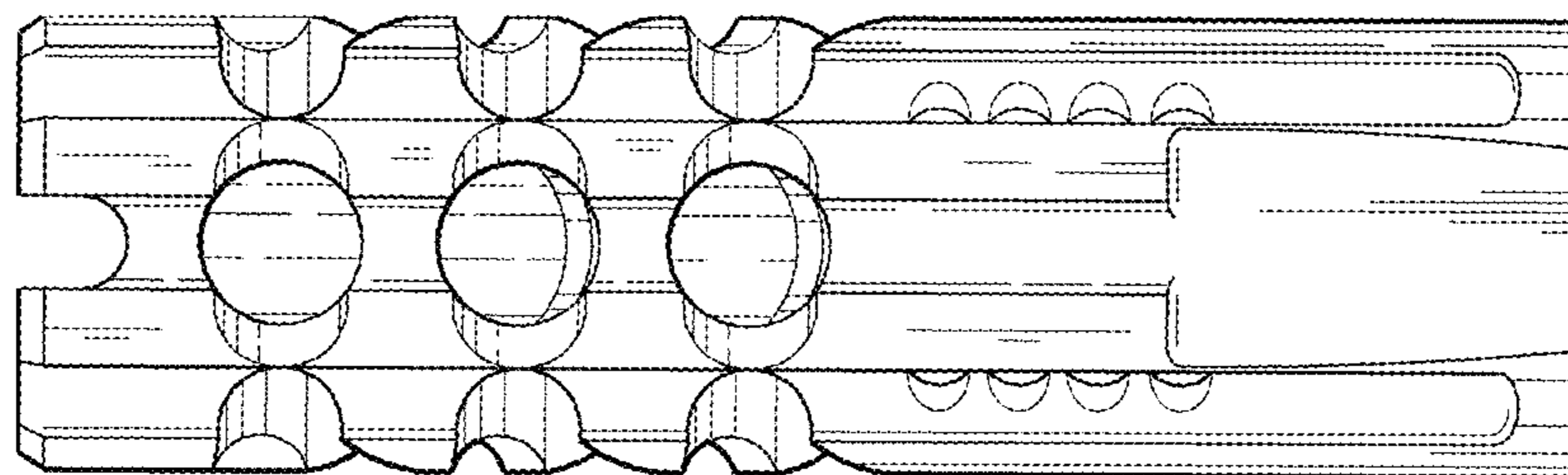


FIG. 2

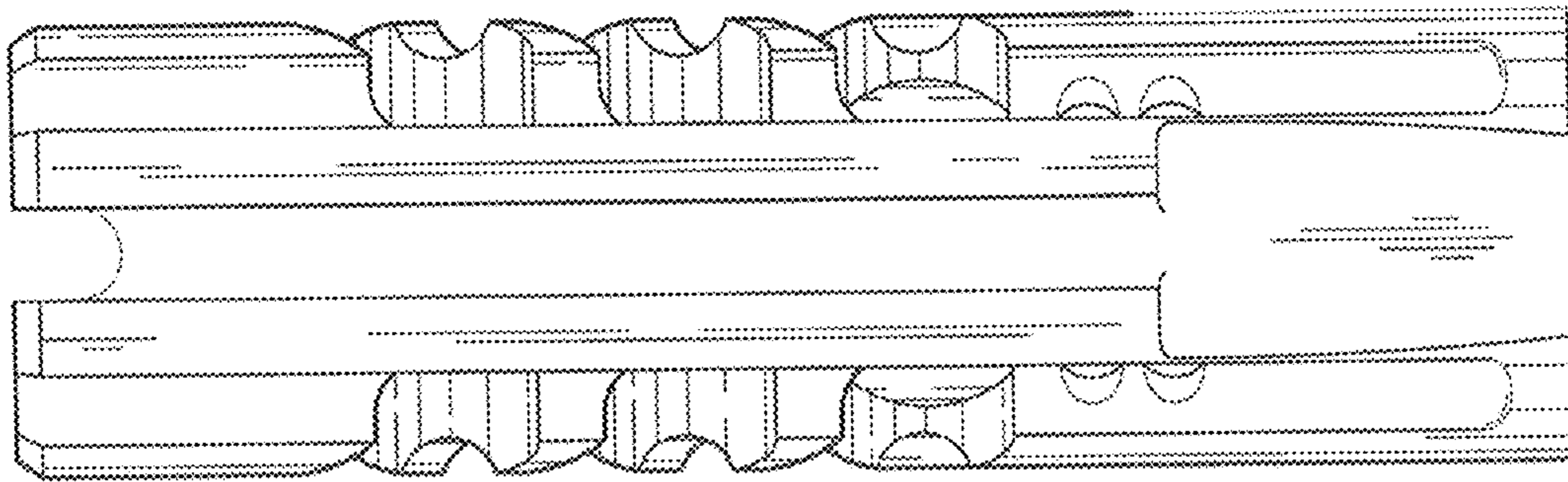


FIG. 3

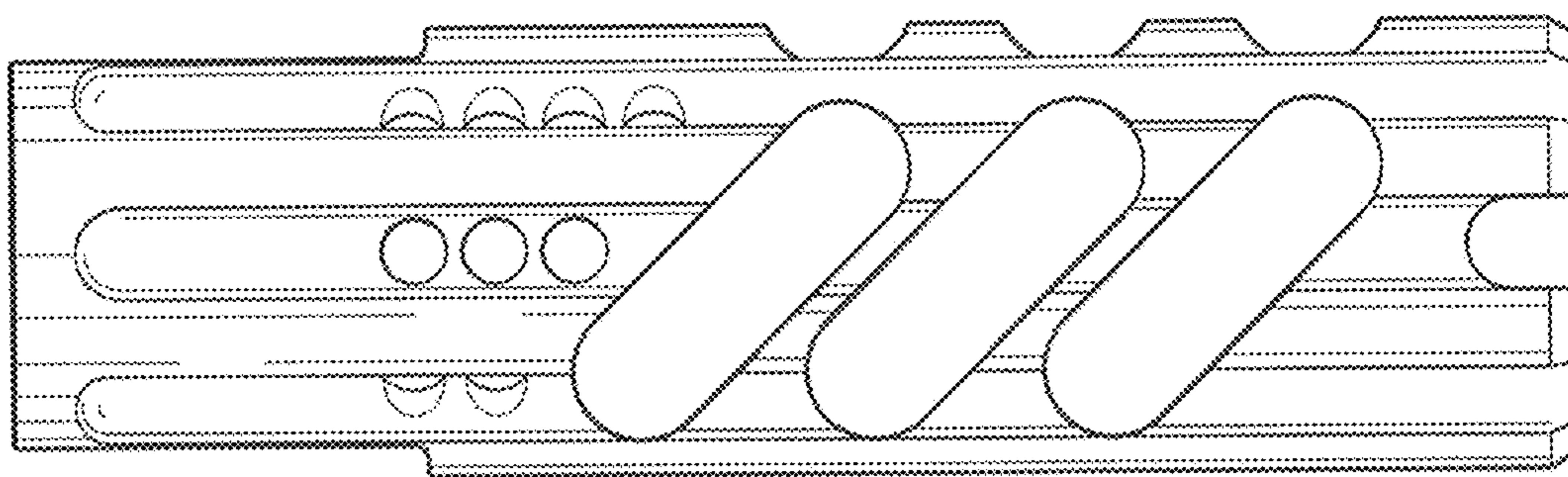


FIG. 4

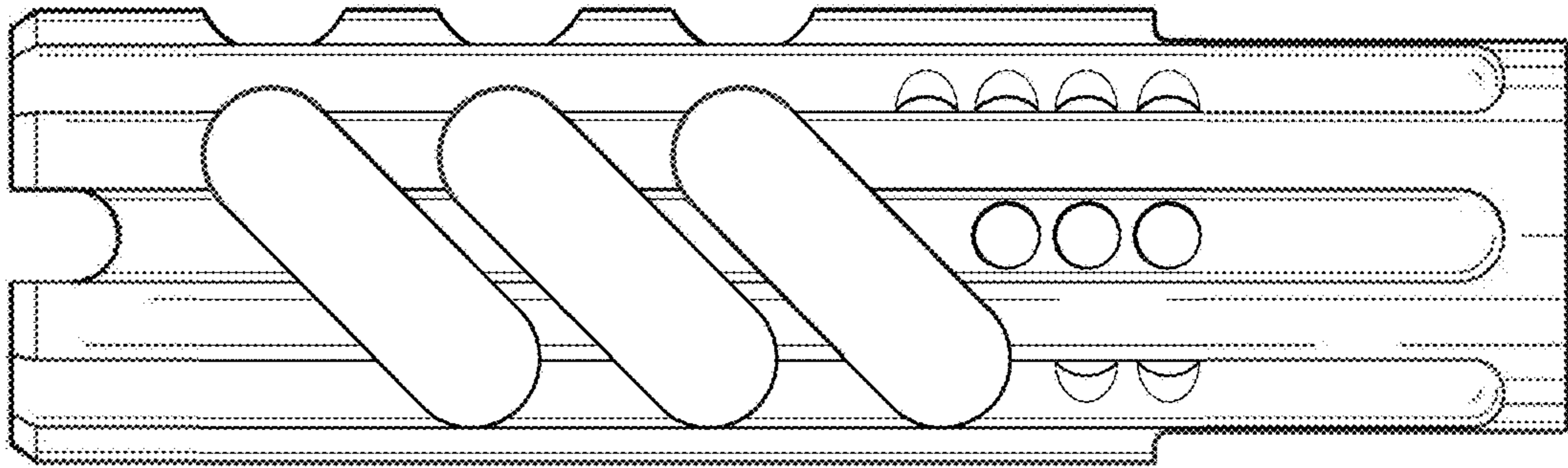


FIG. 5

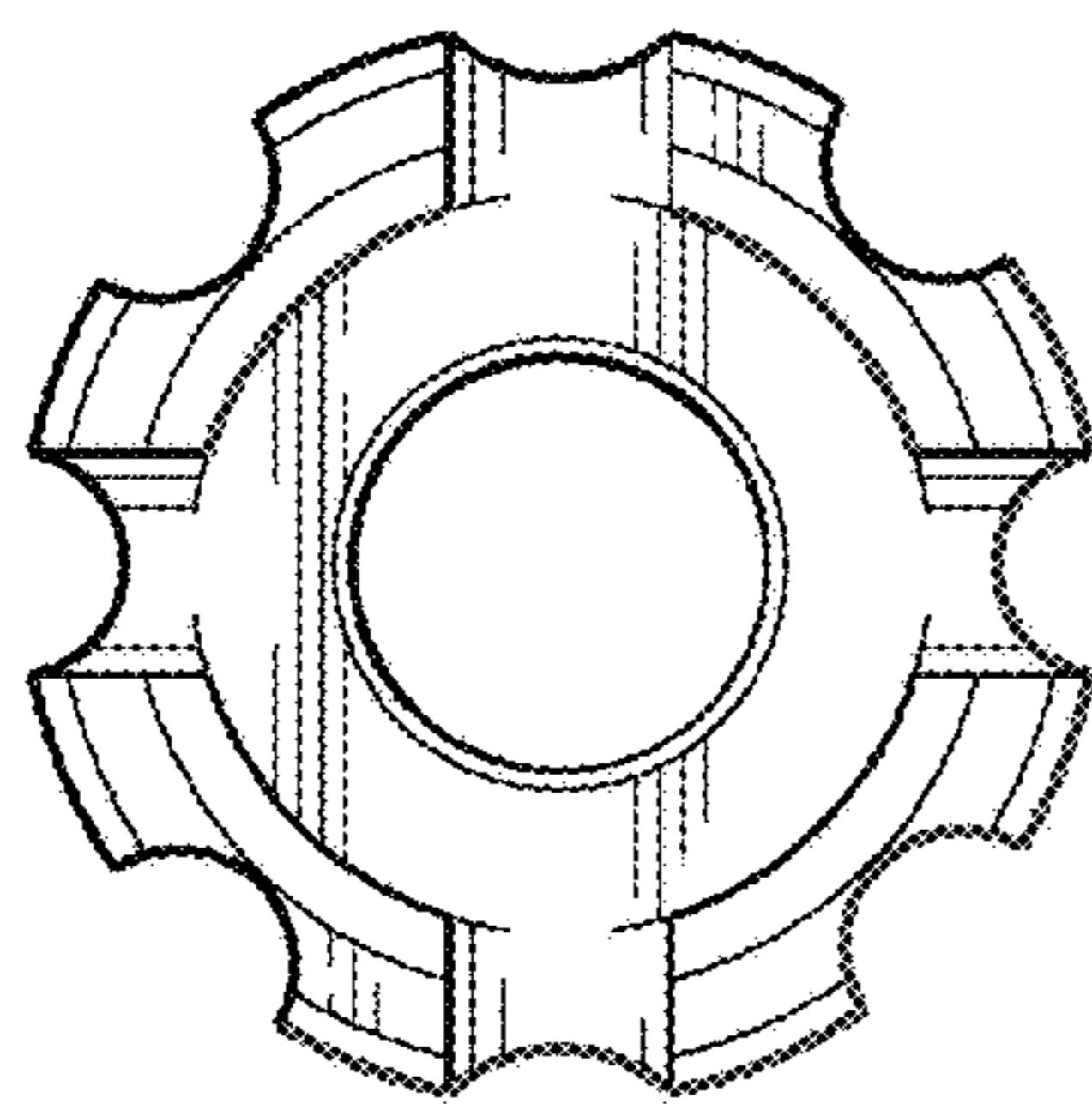


FIG. 6

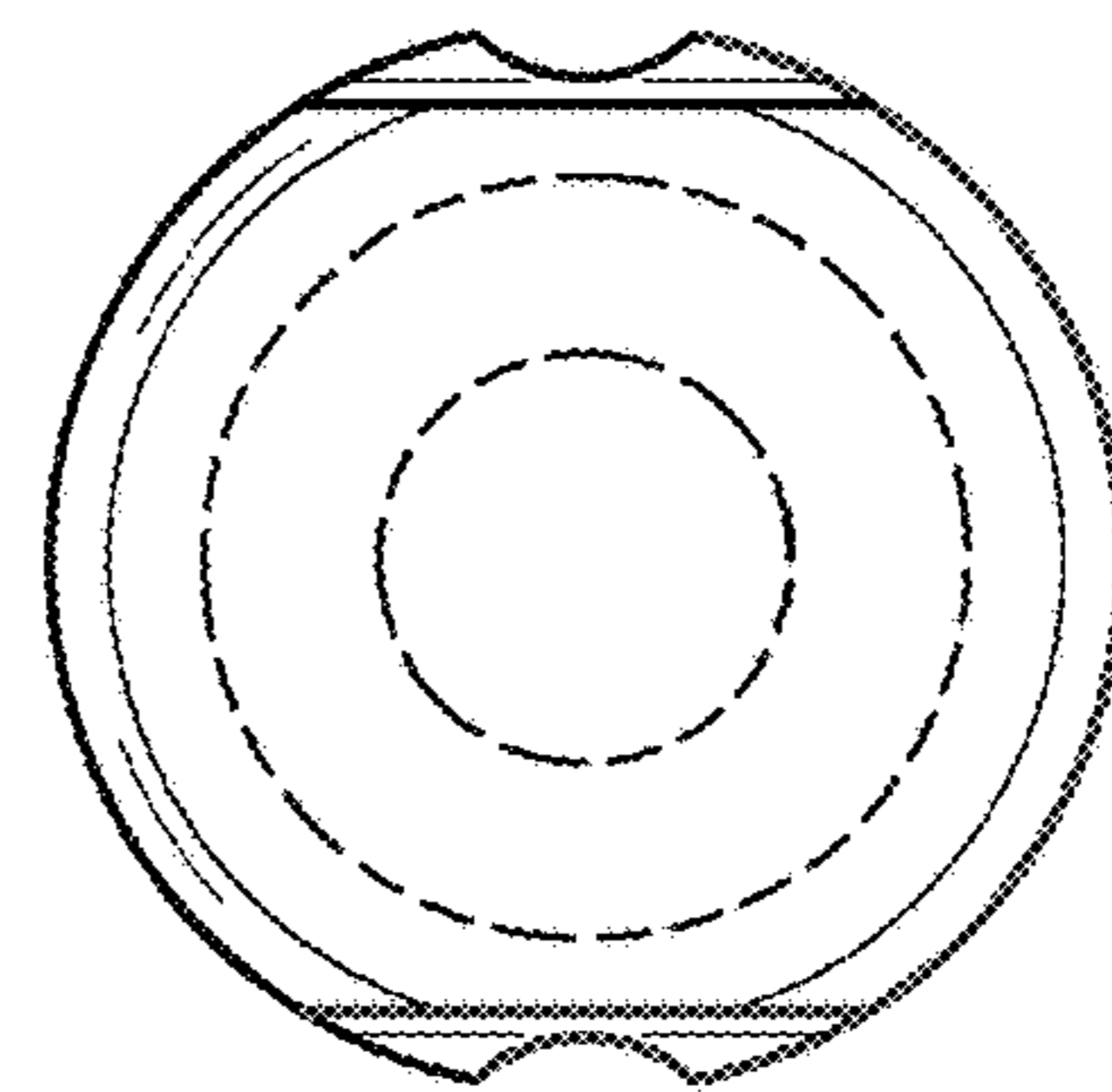


FIG. 7