



US00D835225S

(12) **United States Design Patent**  
**Podgurny**

(10) **Patent No.:** **US D835,225 S**

(45) **Date of Patent:** **\*\* Dec. 4, 2018**

(54) **RIFLE VENTED LOWER RECEIVER**

8,925,233 B2 \* 1/2015 Thordsen ..... F41A 17/38  
42/50

(71) Applicant: **F-1 RESEARCH, LLC—PATENTS SERIES**, Spring, TX (US)

8,978,282 B2 \* 3/2015 Garrett ..... F41A 35/06  
42/6

(72) Inventor: **Dion Podgurny**, Spring, TX (US)

8,984,794 B1 \* 3/2015 Saur ..... F41C 27/00  
42/108

(73) Assignee: **F-1 Research, LLC—Patent Series**, Spring, TX (US)

(Continued)

(\*\*) Term: **15 Years**

(21) Appl. No.: **29/588,851**

(22) Filed: **Dec. 23, 2016**

(51) **LOC (11) Cl.** ..... **22-01**

(52) **U.S. Cl.**  
USPC ..... **D22/108**

(58) **Field of Classification Search**  
USPC ..... D22/108, 100, 101, 103, 105, 109, 110;  
D21/572–575; D14/418, 124, 125, 126,  
D14/127, 128, 10, 83, 85, 86, 87, 90,  
D14/113, 117, 141, 75.01, 75.02, 75.03,  
D14/75.05, 50, 51, 71.01, 94, 106;  
362/110

CPC ..... F41C 7/00; F41C 7/11; F41C 7/12; F41C  
23/10; F41C 23/14; F41C 23/16; F41C  
23/18; F41C 23/00; F41C 27/00; F41C  
27/06; F41A 5/18; F41A 5/24; F41A  
21/28

See application file for complete search history.

(56) **References Cited**

**U.S. PATENT DOCUMENTS**

7,428,795 B2 \* 9/2008 Herring ..... F41A 3/66  
42/75.01  
D603,011 S \* 10/2009 Fitzpatrick ..... D22/108  
D603,012 S \* 10/2009 Fitzpatrick ..... D22/108  
D636,832 S \* 4/2011 Mayberry ..... D22/108  
8,479,635 B2 \* 7/2013 Overstreet ..... F41A 17/36  
42/70.02  
D689,974 S \* 9/2013 Sharps ..... D22/108

**OTHER PUBLICATIONS**

UDR-15 3G Style 2 Universal Receiver Set, F-1Firearms.com,  
[online], [site visited Jan. 16, 2018]. <URL: <http://f-1firearms.com/udr-15-3g-style-2-universal-receiver-set/>> (Year: 2018).\*

(Continued)

*Primary Examiner* — T Chase Nelson

*Assistant Examiner* — Jonathan J. Han

(74) *Attorney, Agent, or Firm* — Dossey & Jones PLLC;  
Phillip Black; James P. Dossey

(57) **CLAIM**

The ornamental design for a rifle vented lower receiver, as shown and described.

**DESCRIPTION**

FIG. 1 is an isometric left front view of a rifle vented lower receiver disclosed herein;

FIG. 2 is a left side elevation view thereof;

FIG. 3 is a top plan view thereof;

FIG. 4 is a right side elevation view thereof;

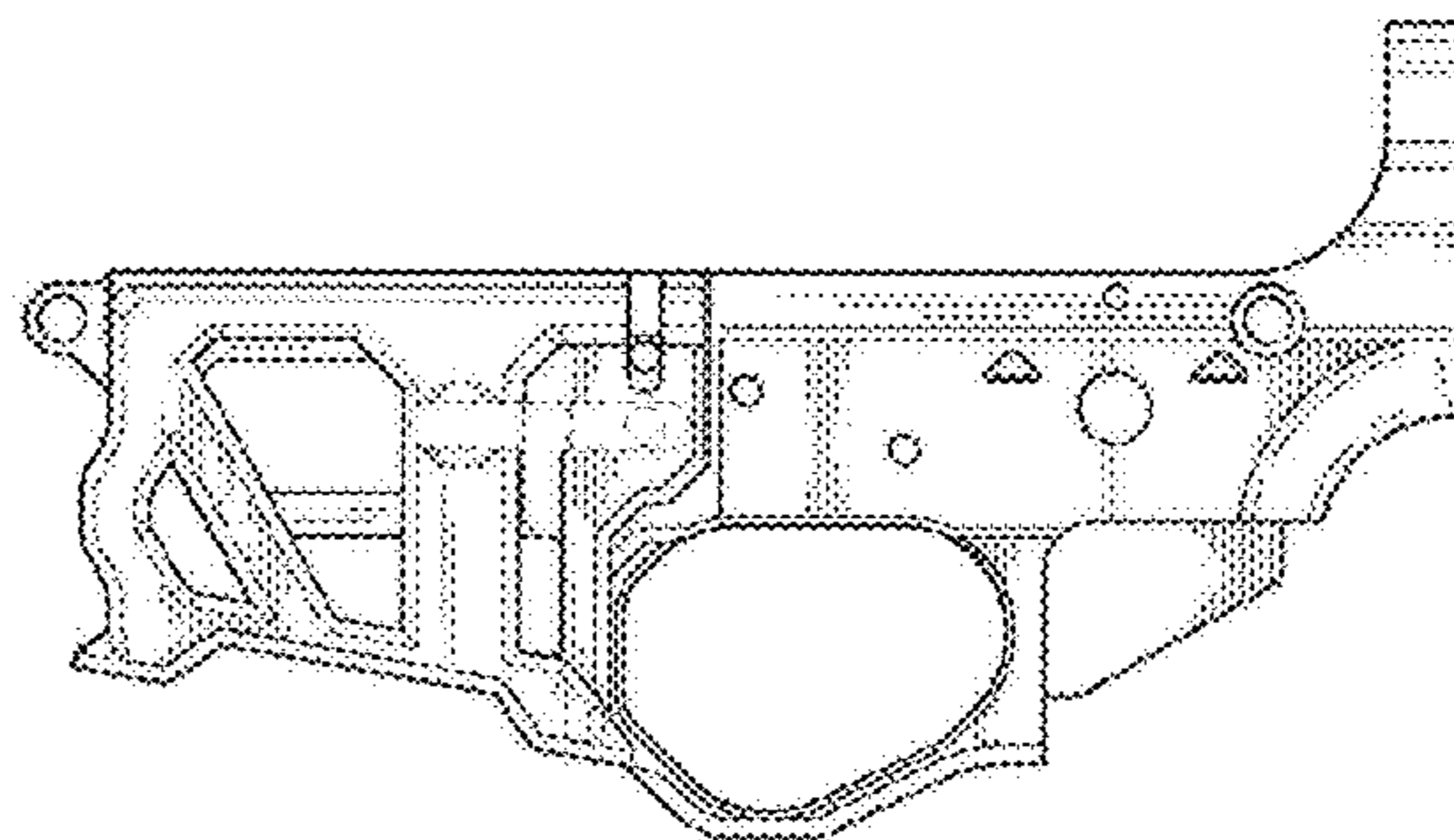
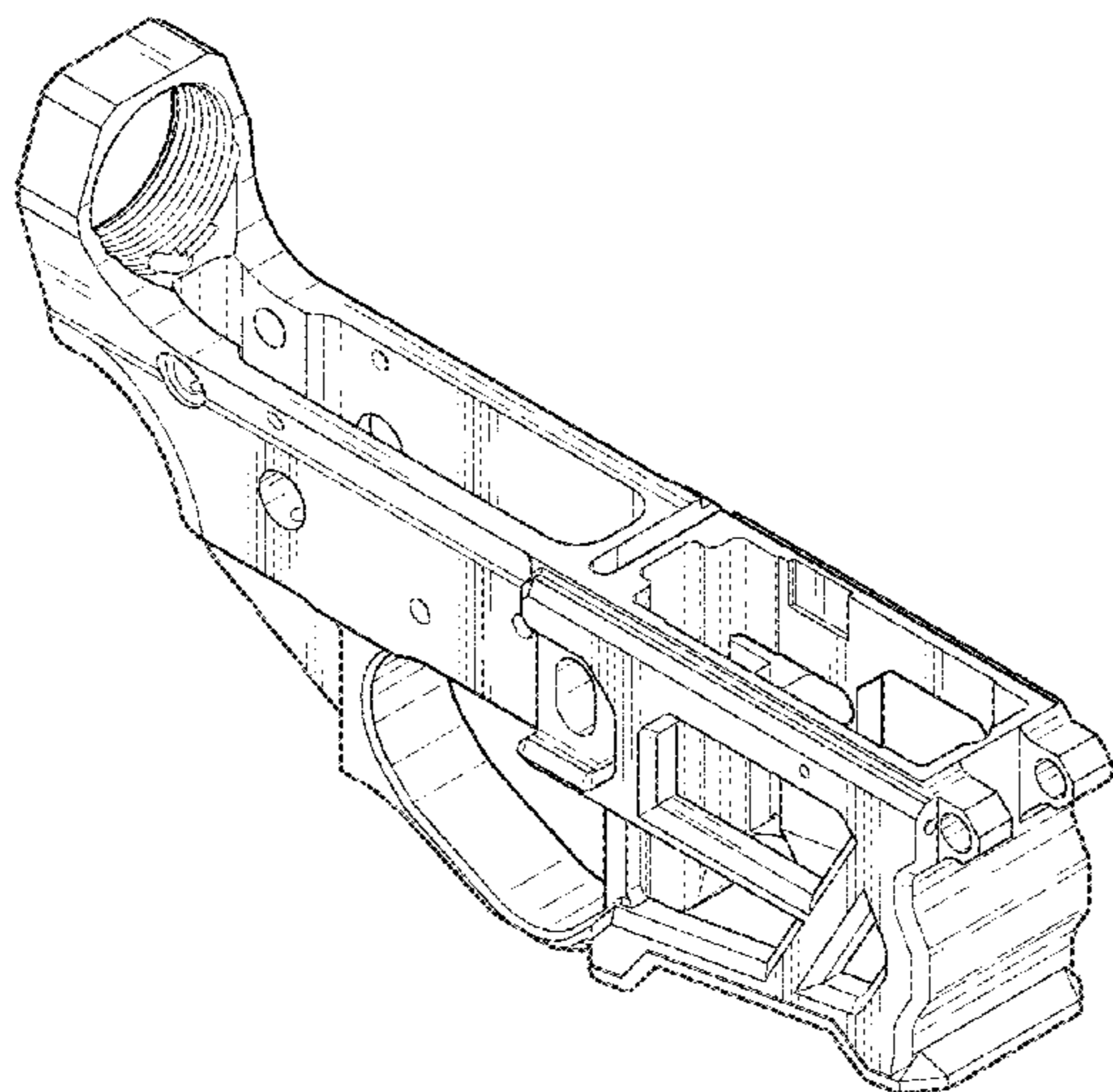
FIG. 5 is a bottom plan view thereof;

FIG. 6 is rear elevation view thereof; and,

FIG. 7 is a front elevation view thereof.

The surface shading is for purposes of illustrating the contour and appearance of the claimed surface upon which it is illustrated, but is not actually seen in the surface of the rifle vented lower receiver. The broken lines are used to show unclaimed portions of the invention and form no part of the claimed design.

**1 Claim, 3 Drawing Sheets**



(56)

**References Cited**

U.S. PATENT DOCUMENTS

D726,862 S \* 4/2015 Crume, Sr. .... D22/108  
 D726,863 S \* 4/2015 Crume, Sr. .... D22/108  
 D727,454 S \* 4/2015 Robinson ..... D22/108  
 D746,400 S \* 12/2015 Folkestad, II ..... D22/108  
 9,217,618 B1 \* 12/2015 Miller, III ..... F41A 19/11  
 D746,936 S \* 1/2016 Huang ..... D22/108  
 D755,338 S \* 5/2016 Slank ..... D22/108  
 D760,860 S \* 7/2016 Vincent ..... D22/108  
 D765,211 S \* 8/2016 Huang ..... D22/108  
 D773,585 S \* 12/2016 Miller, III ..... D22/108  
 D782,596 S \* 3/2017 Angstadt ..... D22/108  
 D795,983 S \* 8/2017 Cross ..... D22/108  
 D796,619 S \* 9/2017 Morris ..... D22/108  
 9,797,666 B2 \* 10/2017 Schuetz ..... F41A 11/02  
 D805,154 S \* 12/2017 Steele ..... D22/108  
 2011/0247483 A1 \* 10/2011 Overstreet ..... F41A 9/70  
 89/138  
 2014/0331535 A1 \* 11/2014 Robinson ..... F41A 3/66  
 42/6

2015/0153125 A1 \* 6/2015 Lutton ..... F41A 17/46  
 42/69.01  
 2016/0084599 A1 \* 3/2016 Alicea, Jr. .... F41A 17/46  
 42/70.06  
 2016/0084601 A1 \* 3/2016 Alicea, Jr. .... F41A 17/20  
 42/6  
 2016/0209136 A1 \* 7/2016 Schuetz ..... F41A 3/66  
 2017/0160032 A1 \* 6/2017 Overstreet ..... F41A 17/36

OTHER PUBLICATIONS

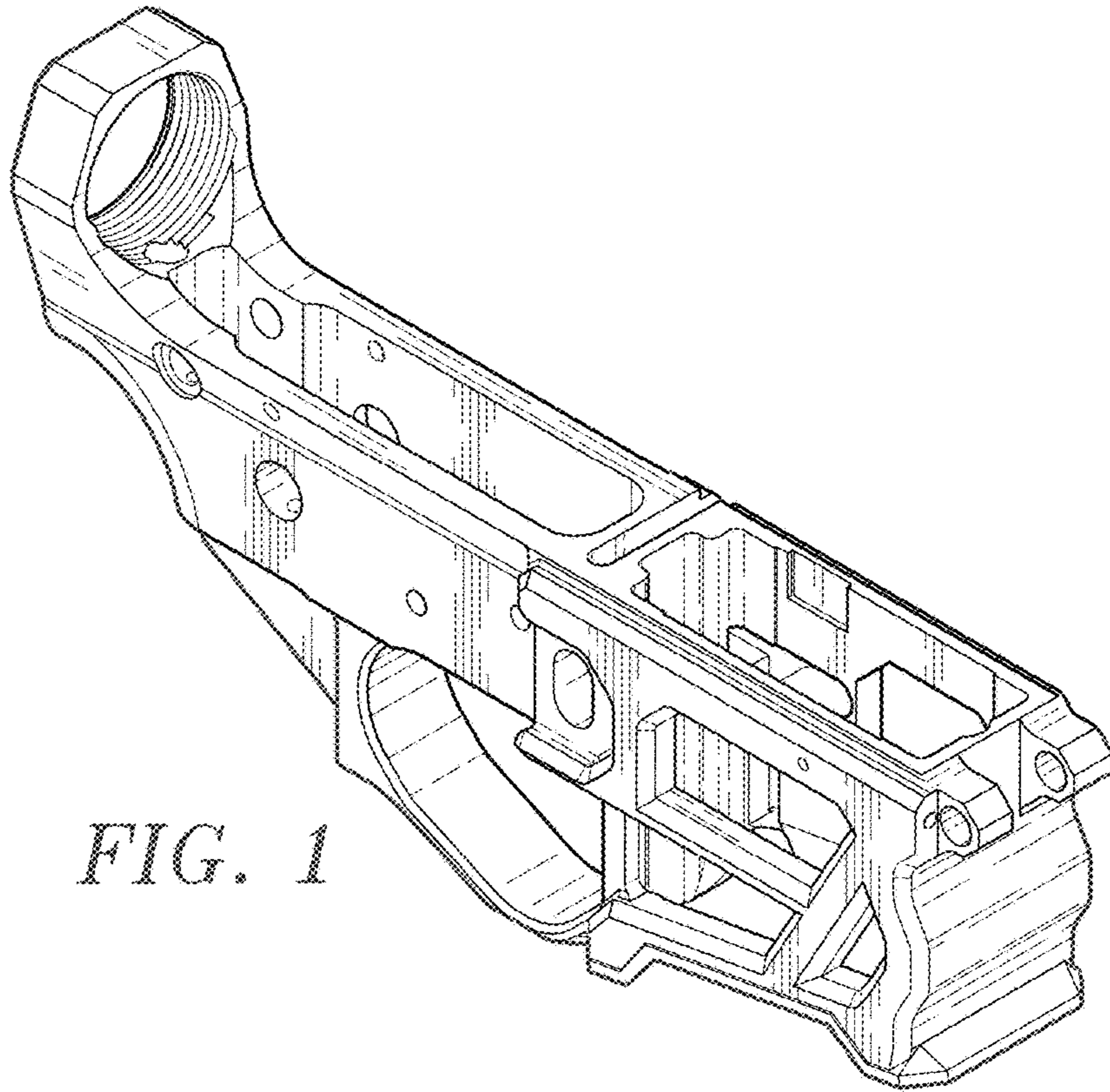
BDR-15-3G Billet Matched Receiver Set, F-1Firearms.com, [online], [site visited Jan. 16, 2018]. <URL: <http://f-1firearms.com/bdr-15-3g-billet-matched-receiver-set/>> (Year: 2018).\*

Skeletonized AR-15 Lower Receiver, WeaponsMart.com, [online], [site visited Jan. 16, 2018]. <URL: <https://www.weaponsmart.com/skeletonized-ar-15-lower-receiver>> (Year: 2018).\*

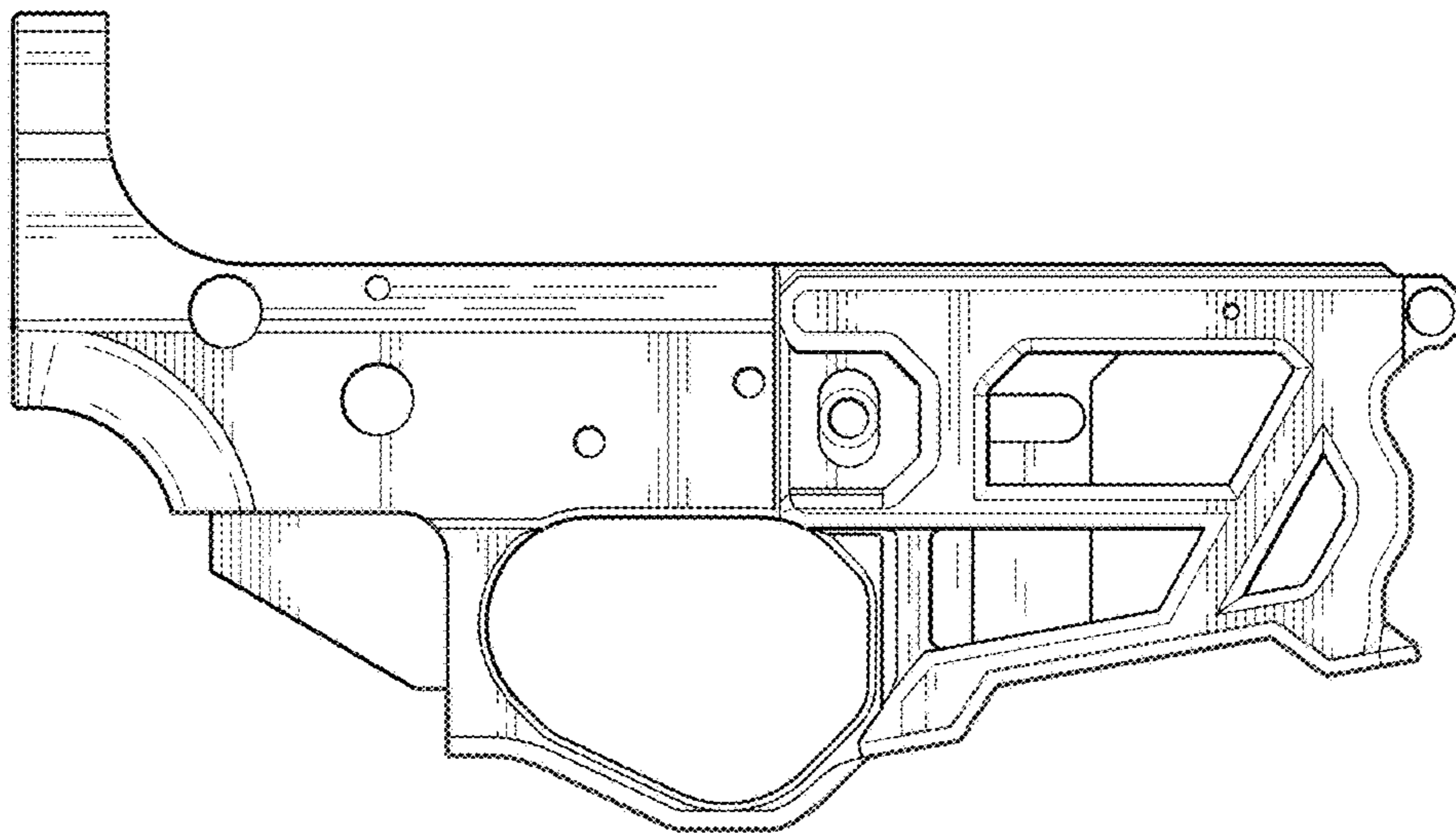
AR15-Skeletonized AR15 Billet 80% lower receiver in Black, LJsARparts.com, [online], [site visited Jan. 16, 2018]. <URL: [http://ljsarparts.com/AR15-SKELETONIZED-AR15-BILLET-80-lower-receiver-in-Black\\_p\\_762](http://ljsarparts.com/AR15-SKELETONIZED-AR15-BILLET-80-lower-receiver-in-Black_p_762)> (Year: 2018).\*

\* cited by examiner

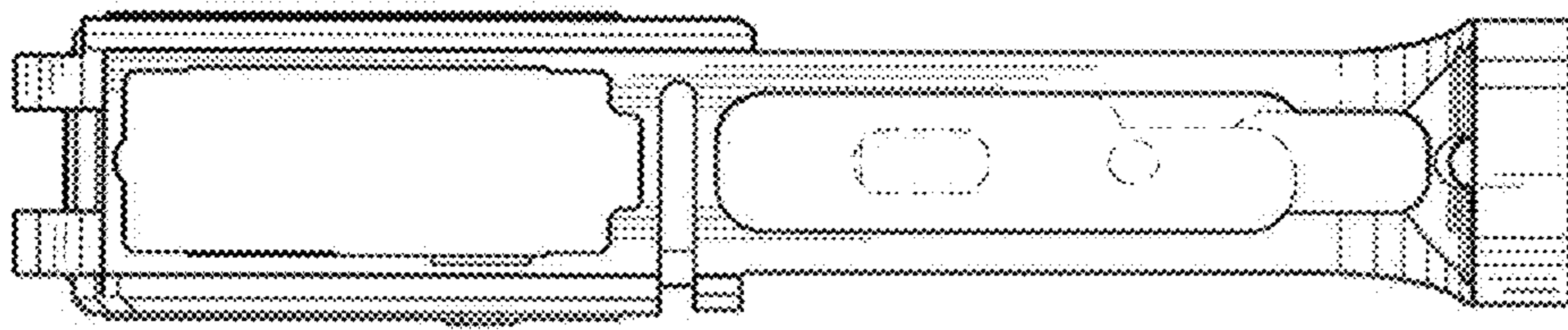




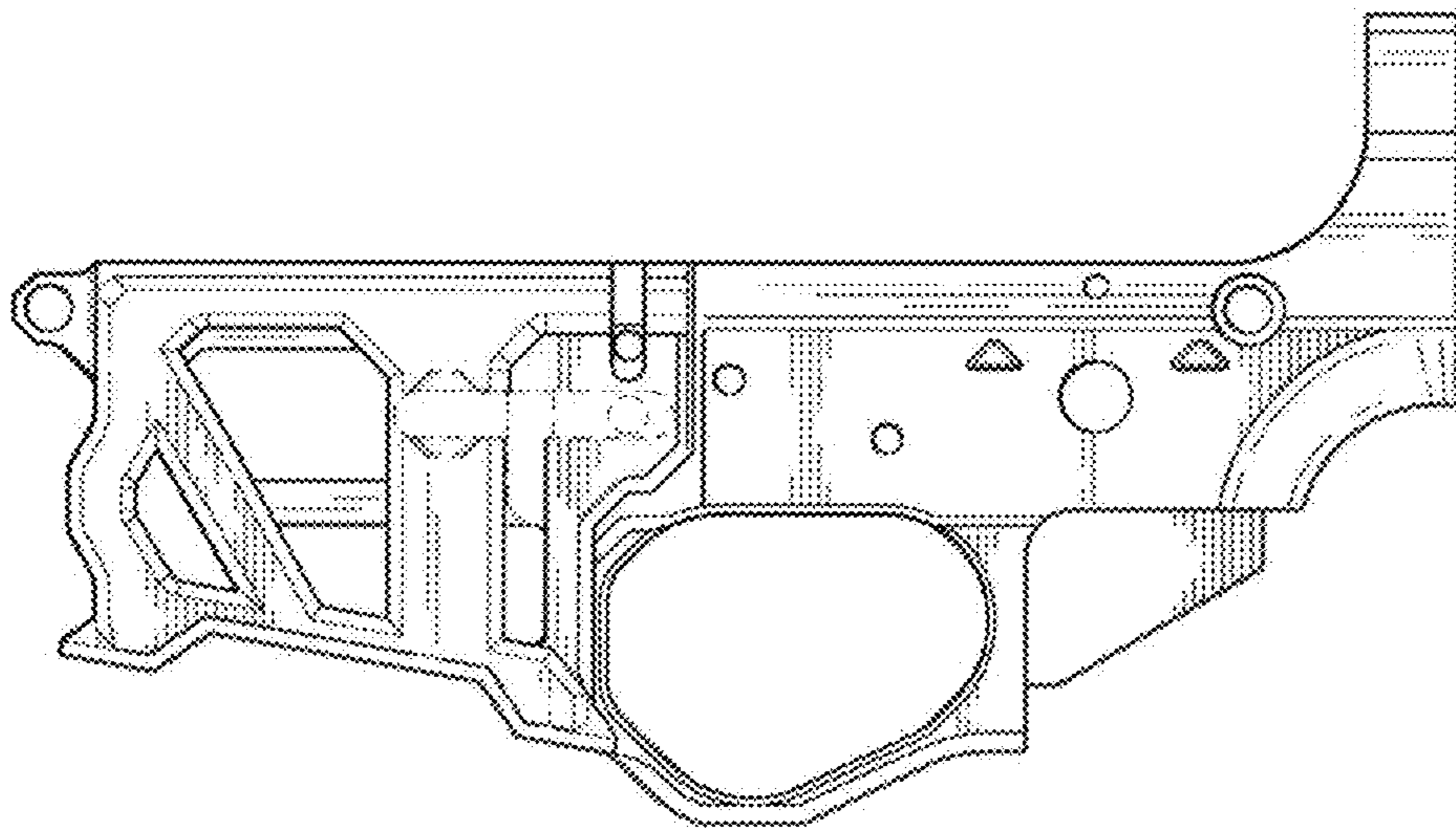
*FIG. 1*



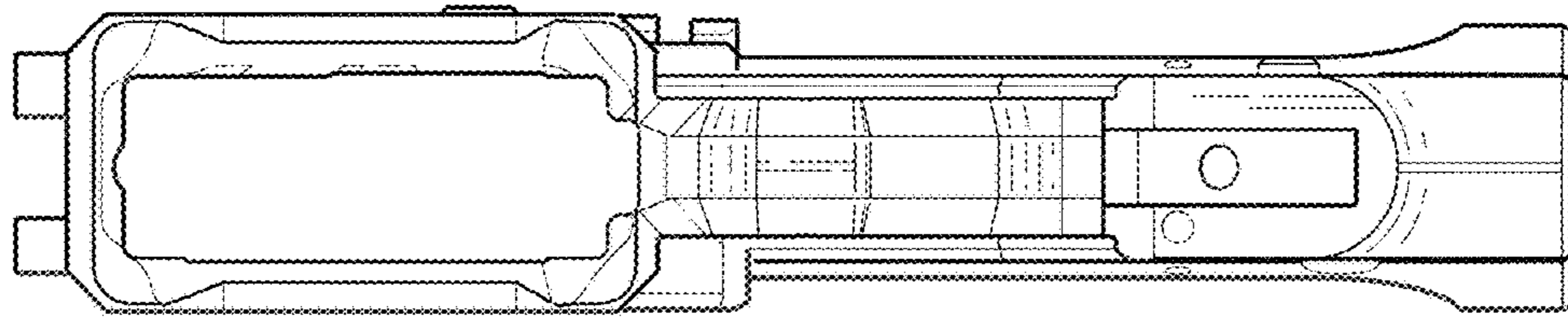
*FIG. 2*



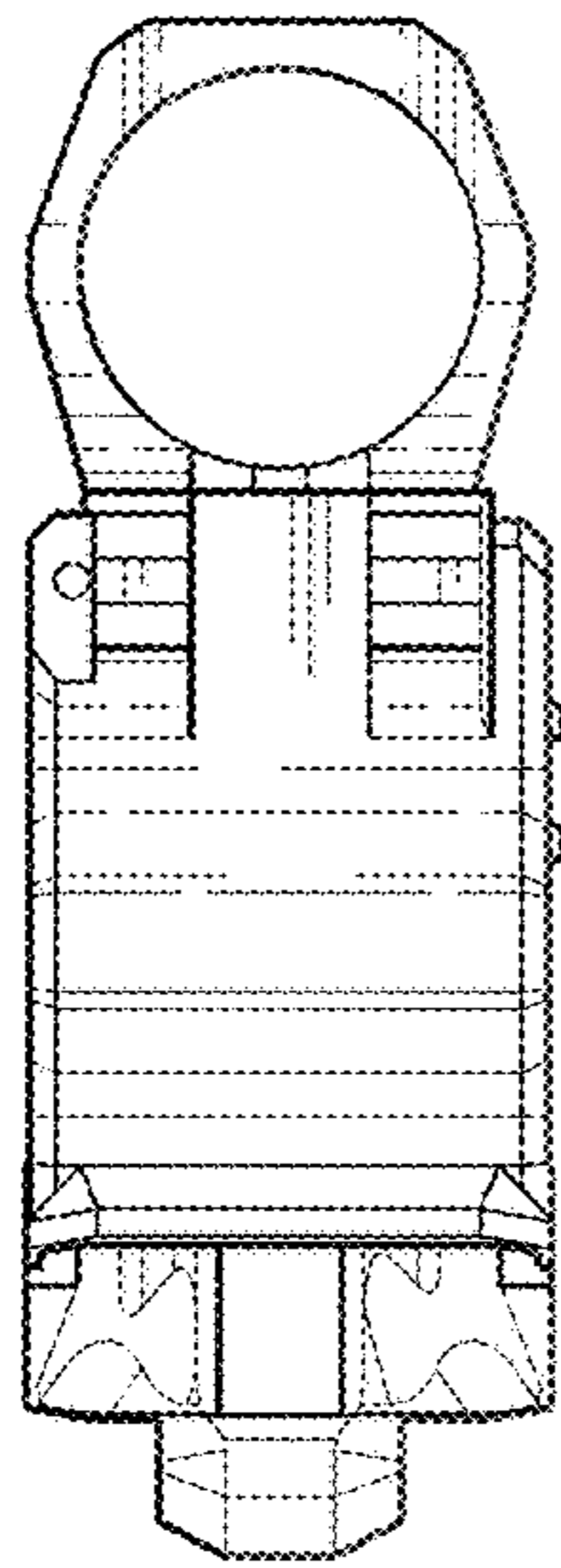
*FIG. 3*



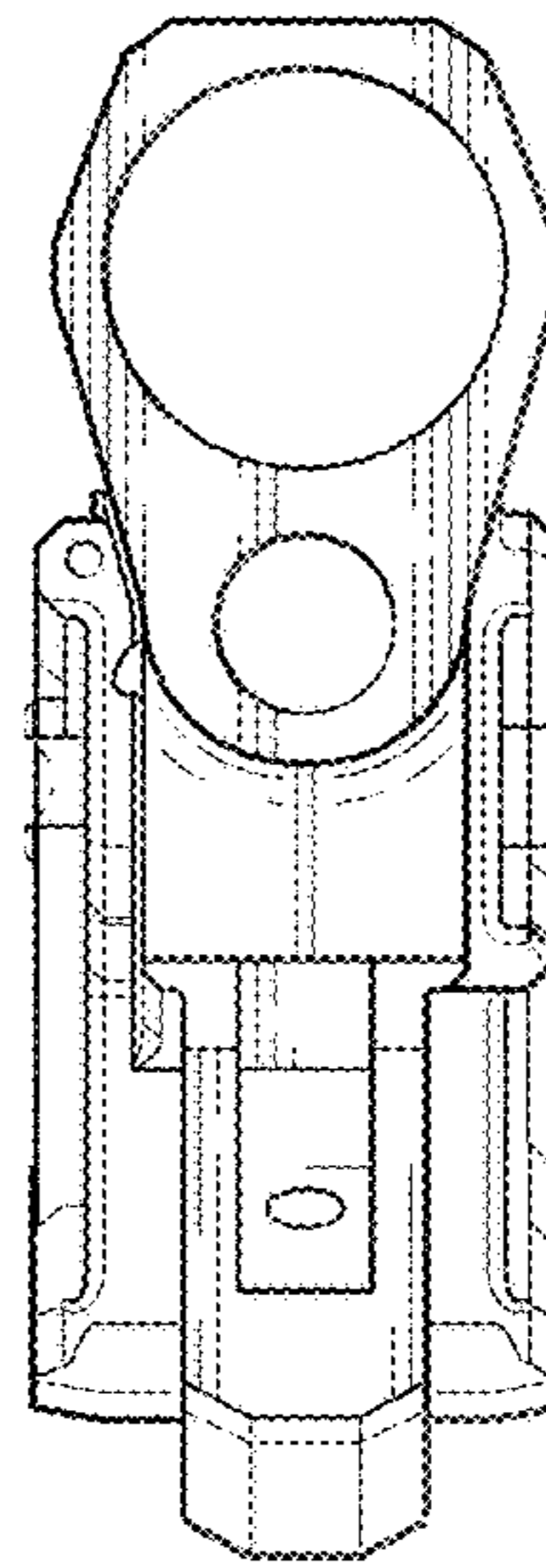
*FIG. 4*



*FIG. 5*



*FIG. 6*



*FIG. 7*