



US00D835224S

(12) **United States Design Patent** (10) **Patent No.:** **US D835,224 S**
Jackson et al. (45) **Date of Patent:** **** Dec. 4, 2018**

(54) **CLIMBABLE PLAY SCULPTURE**
(71) Applicant: **Playworld Systems Incorporated**,
Lewisburg, PA (US)
(72) Inventors: **Jill Elaine Jackson**, Lewisburg, PA
(US); **Michael Philip Laris**, Lewisburg,
PA (US); **Eric Tritsch**, Millheim, PA
(US); **Gregory Douglas Scott**,
Lewisburg, PA (US); **Craig Phillip
Mellott**, Beavertown, PA (US);
Gabriela Diego-Gomez, Lewisburg, PA
(US); **Aida Abolahrar**, Lewisburg, PA
(US)

(73) Assignee: **Playworld Systems, Inc.**, Lewisburg,
PA (US)

(**) Term: **15 Years**

(21) Appl. No.: **29/616,750**

(22) Filed: **Sep. 8, 2017**

Related U.S. Application Data

(62) Division of application No. 29/570,934, filed on Jul.
13, 2016, now Pat. No. Des. 809,619.

(51) **LOC (11) Cl.** **21-03**

(52) **U.S. Cl.**
USPC **D21/826**

(58) **Field of Classification Search**
USPC D21/811, 814, 826-827
CPC A63B 9/00; A63B 2009/002; A63B
2009/004; A63B 2009/006; A63B 17/00;
A63B 17/02
See application file for complete search history.

(56) **References Cited**

U.S. PATENT DOCUMENTS

D240,056 S * 5/1976 Hock D21/823
D246,477 S * 11/1977 Callecod D21/826

D250,785 S * 1/1979 Dieter D21/826
D259,805 S * 7/1981 Persson D21/826
D288,833 S * 3/1987 Skalka D21/826
D289,927 S * 5/1987 Bradford D21/826
D300,342 S * 3/1989 Beatty D21/826
D363,524 S * 10/1995 Ziegler, Jr. D21/823
D366,512 S * 1/1996 Ziegler, Jr. D21/823
D410,271 S * 5/1999 Manus D21/826
D411,604 S * 6/1999 Manus D21/826
D421,636 S * 3/2000 Manus D21/826
D426,609 S * 6/2000 Manus D21/826
D472,954 S * 4/2003 Kohler D21/826
D478,144 S * 8/2003 Fredriksson D21/826
D498,282 S * 11/2004 Gertschen D21/826

(Continued)

Primary Examiner — Mitchell I. Siegel

(74) *Attorney, Agent, or Firm* — Sandberg Phoenix & von
Gontard PC

(57) **CLAIM**

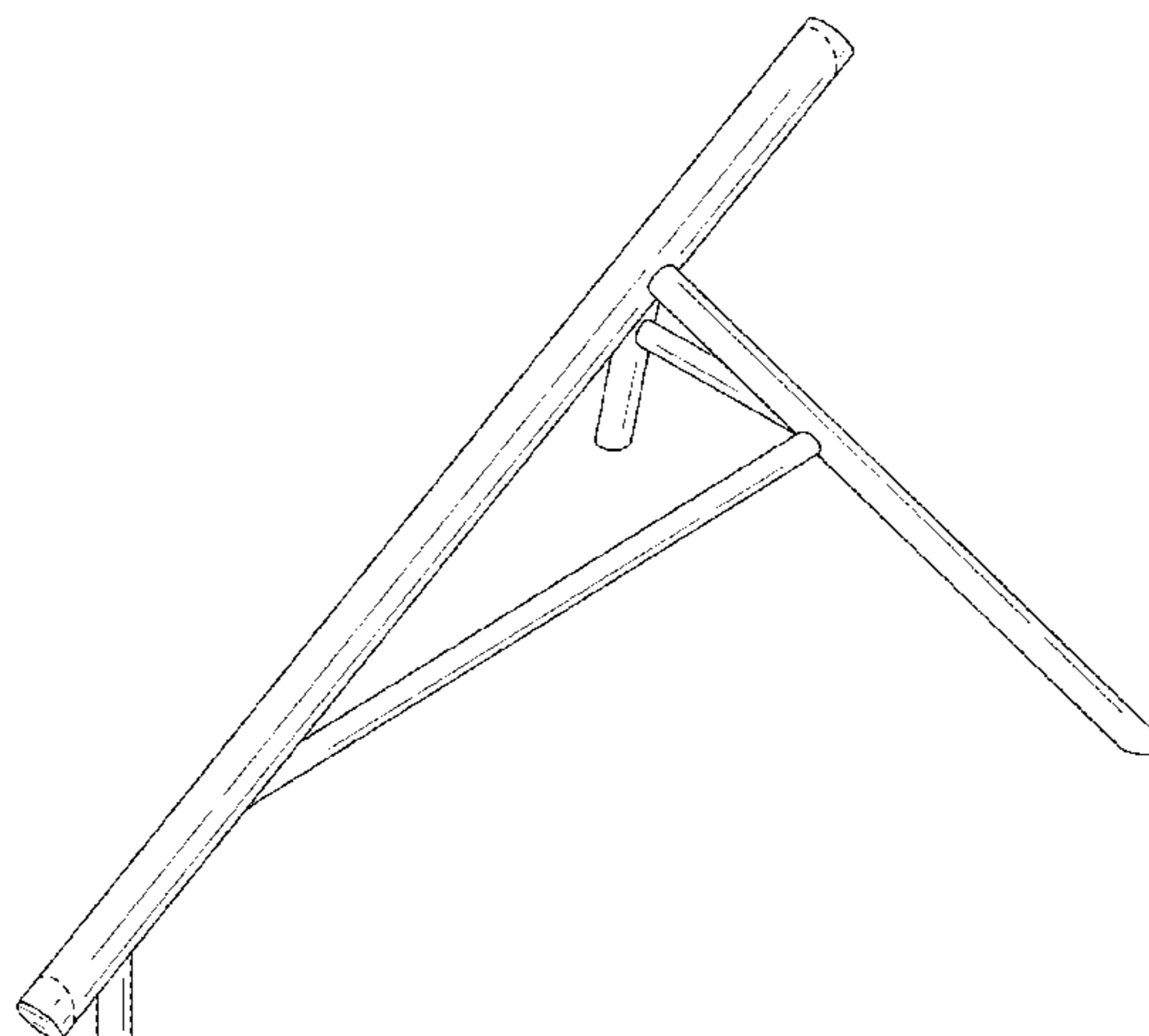
The ornamental design for a climbable play sculpture, as
shown and described.

DESCRIPTION

FIG. 1 is a top-front-left side perspective view of a climb-
able play sculpture, showing the design;
FIG. 2 is a front view of the climbable play sculpture;
FIG. 3 is a rear view of the climbable play sculpture thereof;
FIG. 4 is a left side view of the climbable play sculpture
thereof;
FIG. 5 is a right side view of the climbable play sculpture
thereof;
FIG. 6 is a top view of the climbable play sculpture thereof;
and,
FIG. 7 is a bottom view of the climbable play sculpture
thereof.

The broken lines in the drawings illustrate features that form
no part of the claim.

1 Claim, 6 Drawing Sheets



(56)

References Cited

U.S. PATENT DOCUMENTS

D515,166 S * 2/2006 Montfort A63B 9/00
D21/826
7,047,906 B1 * 5/2006 Hendricks A01K 31/12
119/537
D531,692 S * 11/2006 Kvistad D21/827
D615,607 S * 5/2010 Hwang D21/826
D620,066 S * 7/2010 Kohler D21/826
D632,355 S * 2/2011 Kohler D21/826
D664,622 S * 7/2012 Orsulak D21/686
D664,624 S * 7/2012 Orsulak D21/826
D731,611 S * 6/2015 Klein D21/826
D809,619 S * 2/2018 Jackson D21/826

* cited by examiner

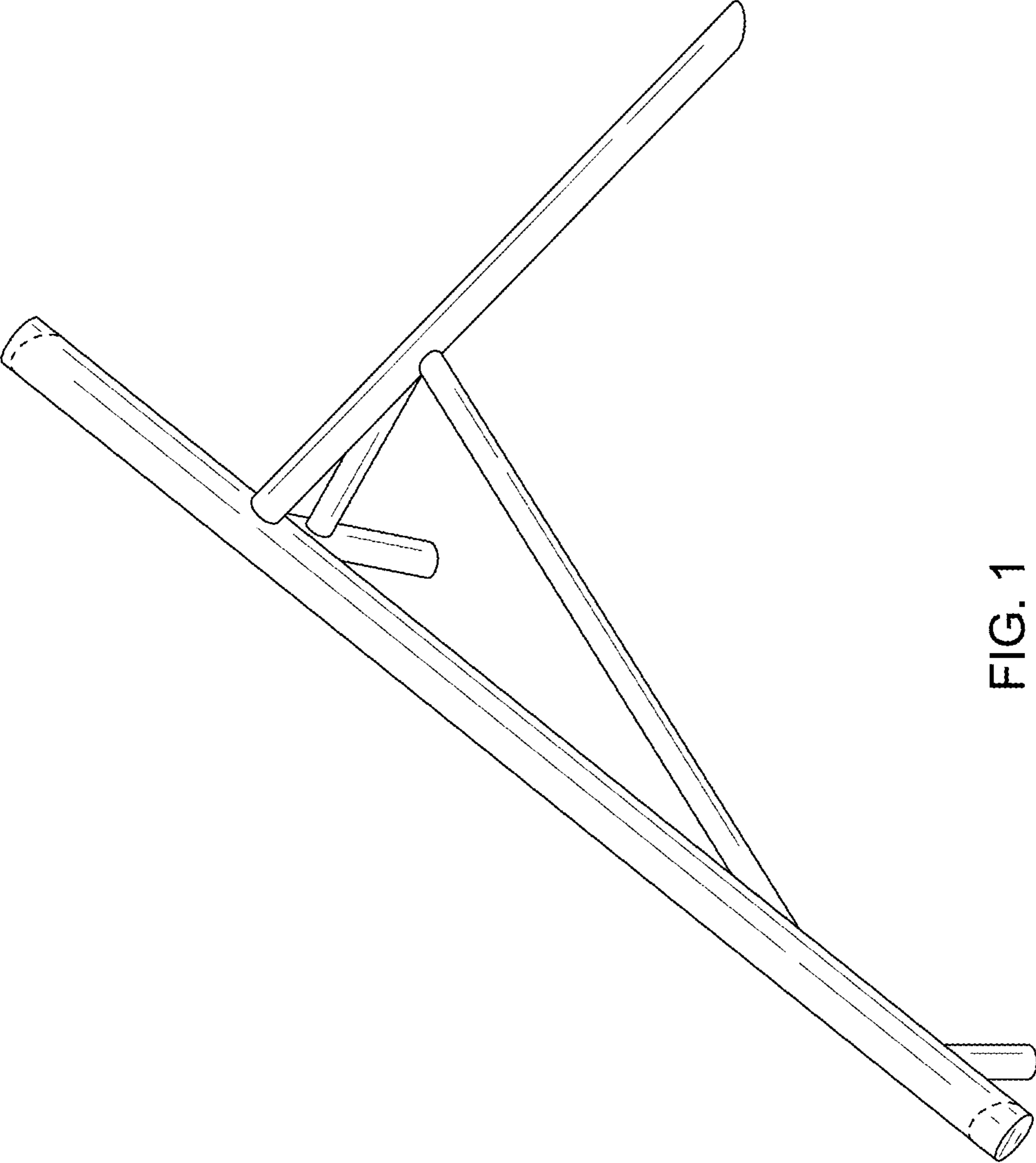


FIG. 1

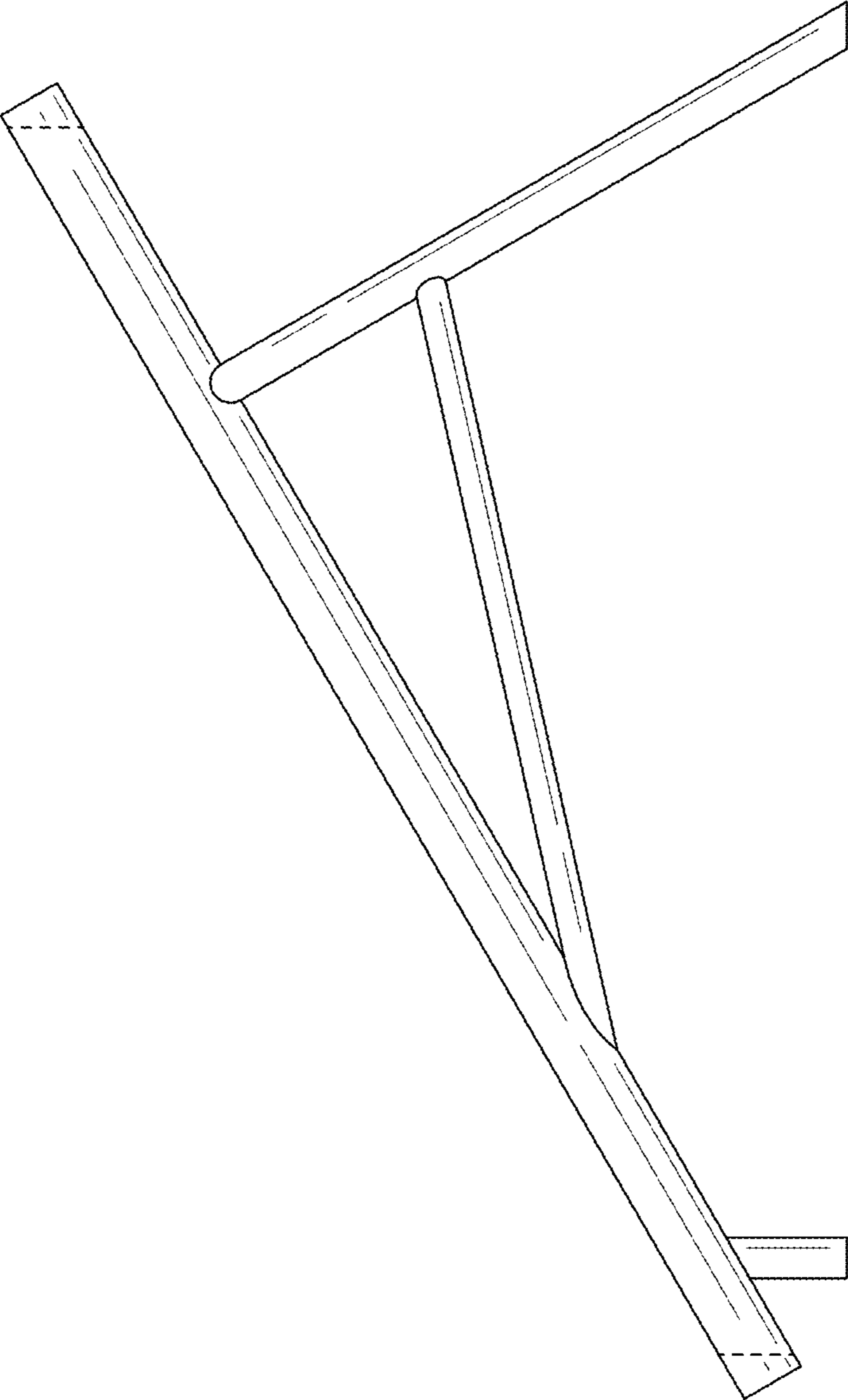


FIG. 2

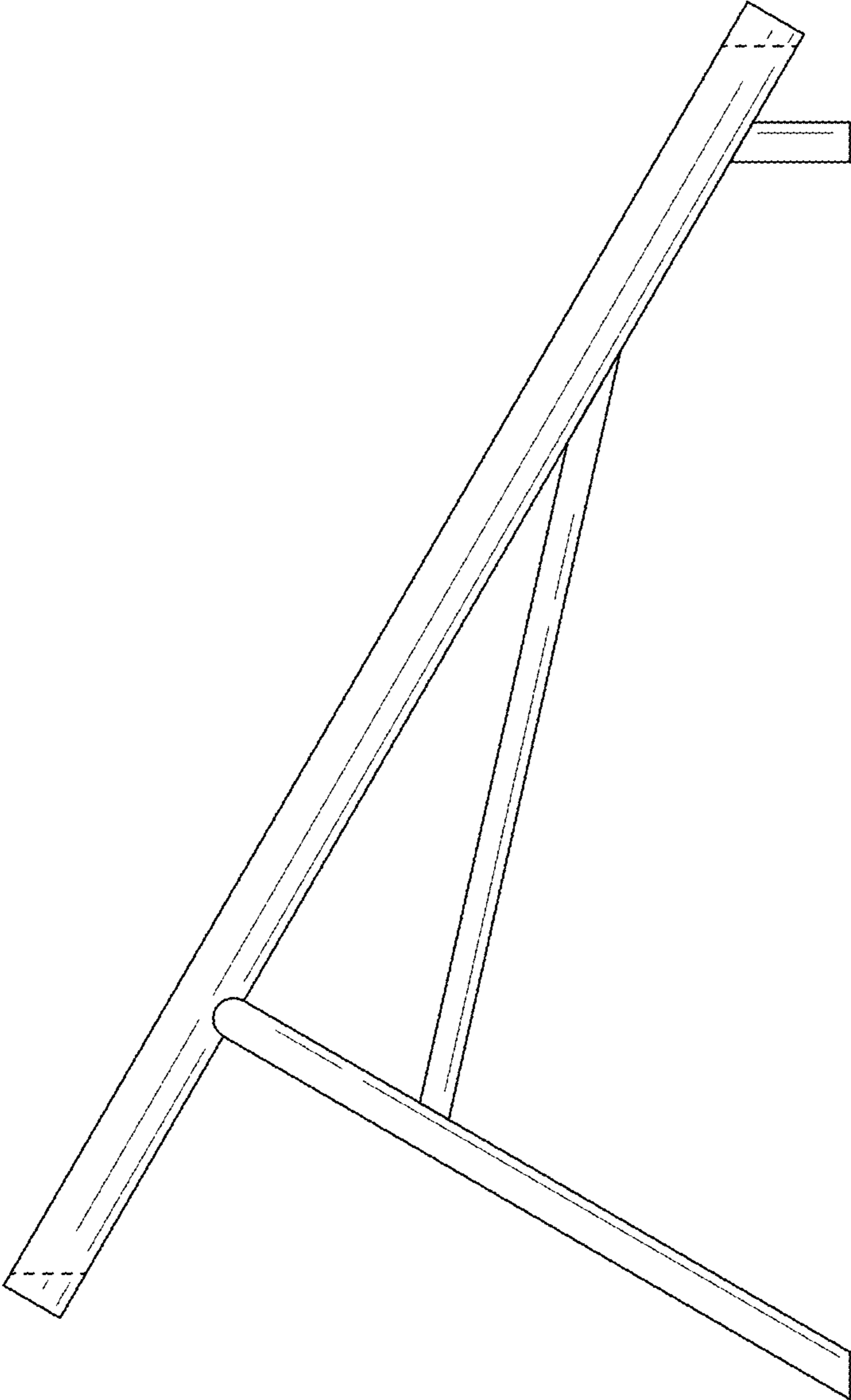


FIG. 3

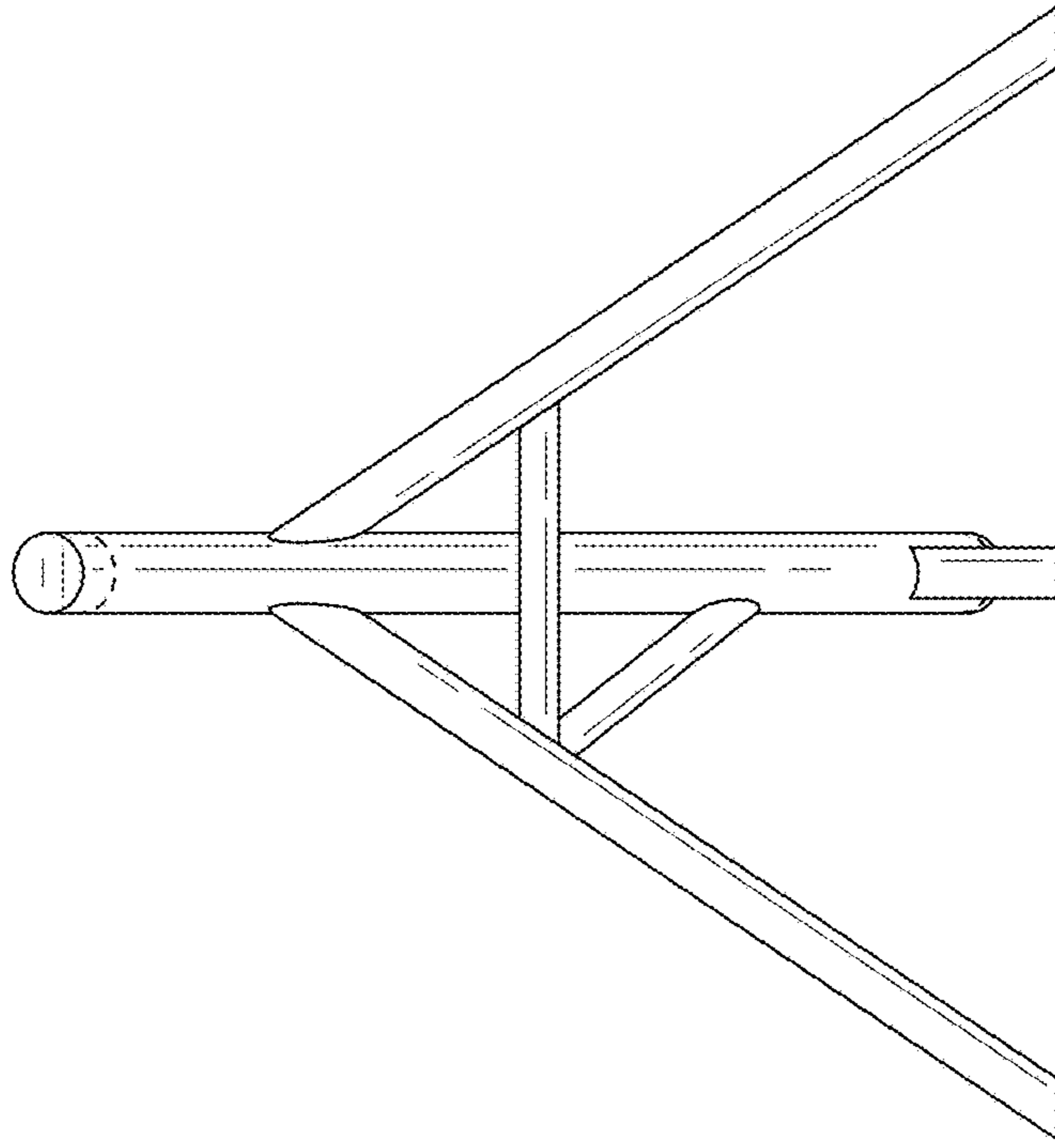


FIG. 5

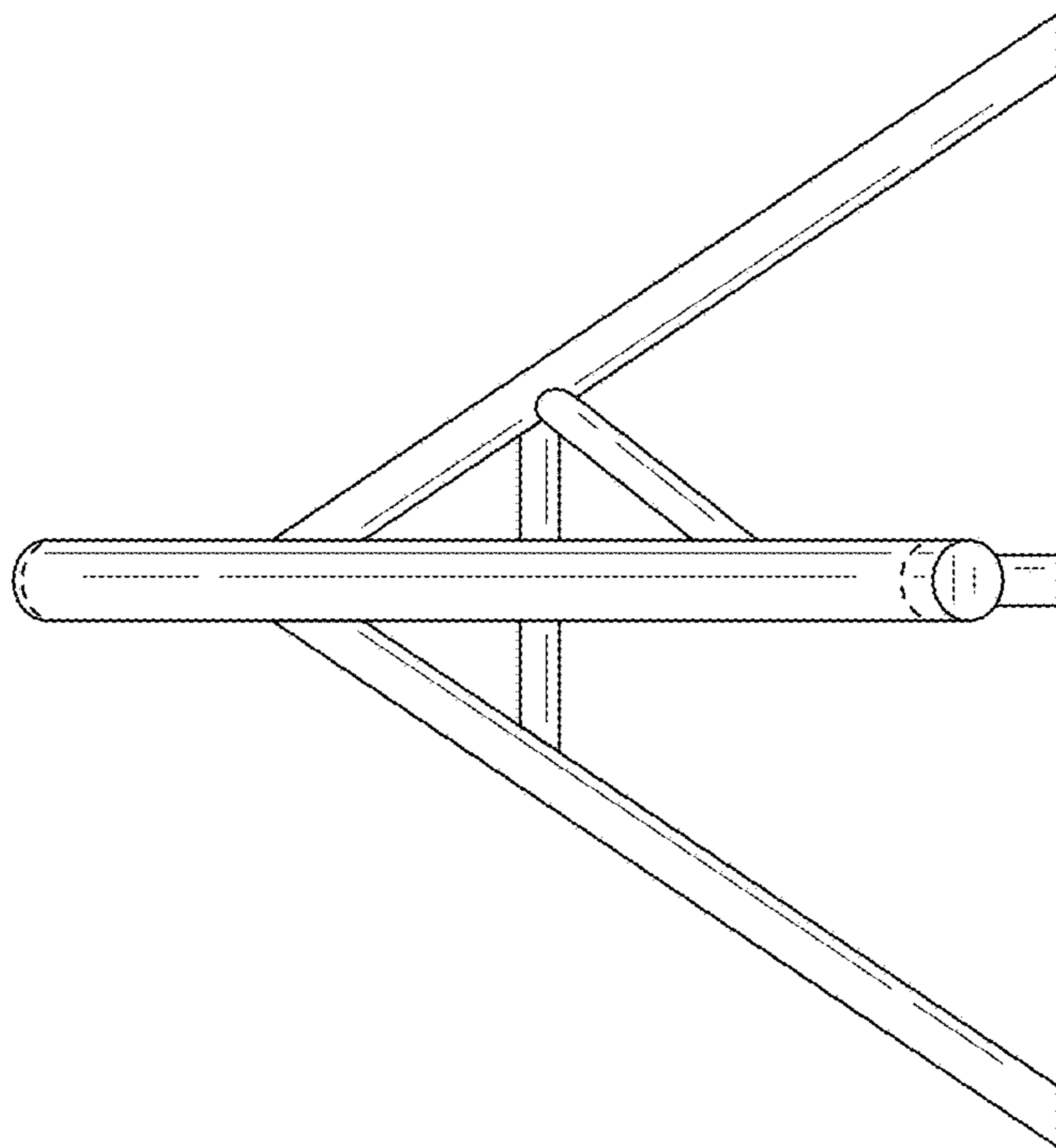


FIG. 4

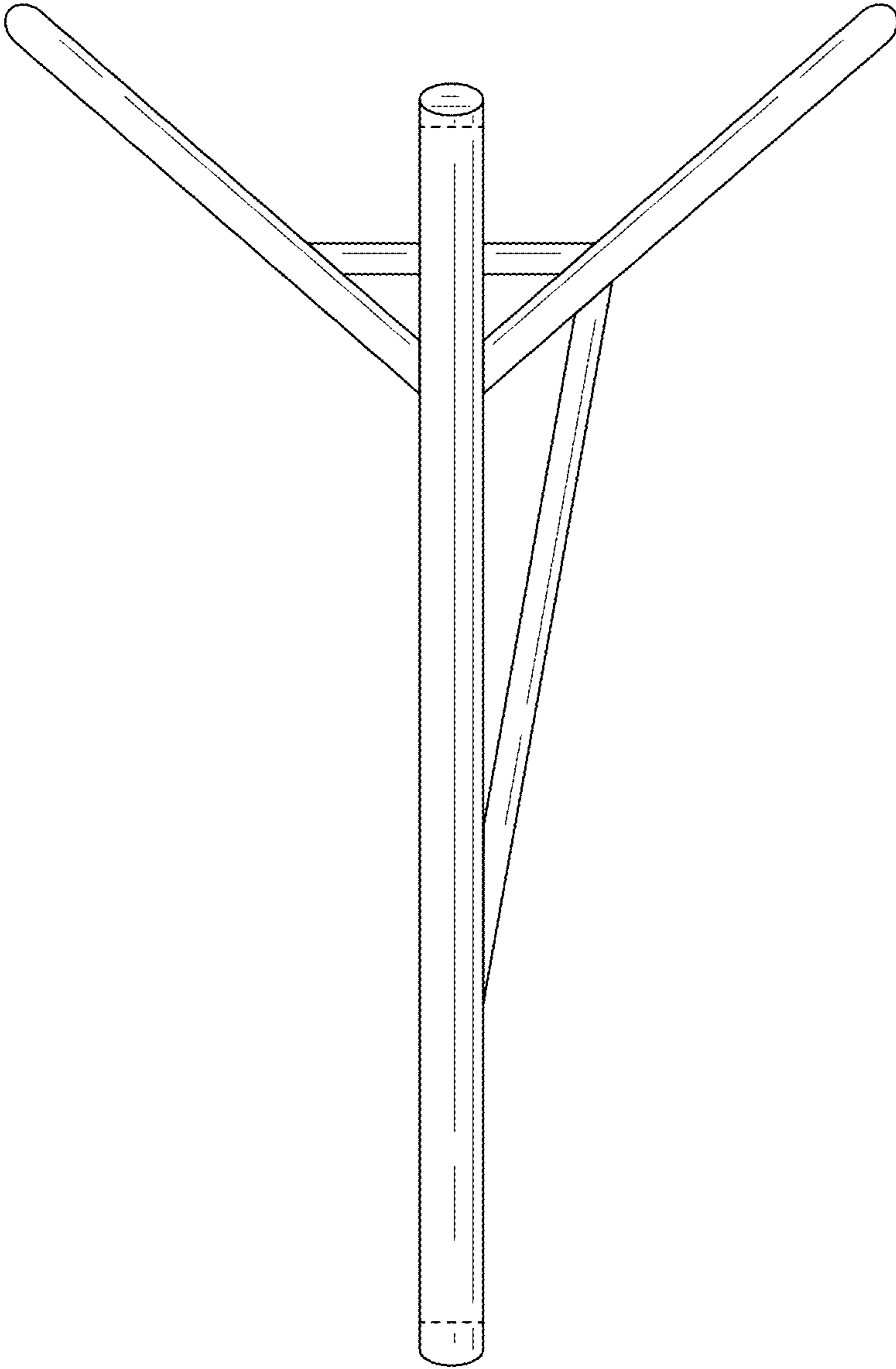


FIG. 6

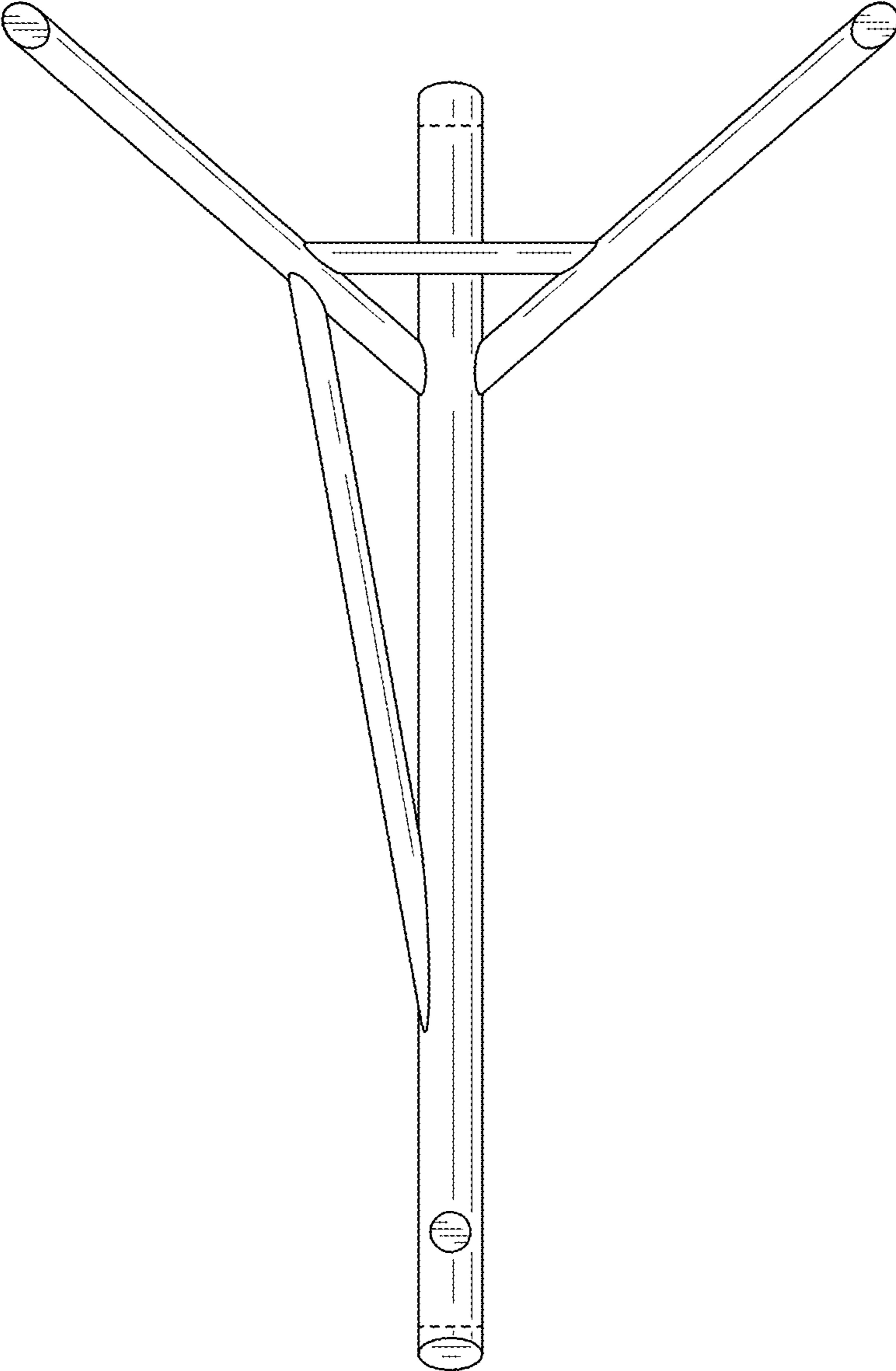


FIG. 7