



US00D835220S

(12) **United States Design Patent**
Treadway et al.

(10) **Patent No.:** **US D835,220 S**
(45) **Date of Patent:** **** Dec. 4, 2018**

(54) **BATTERY POWERED SKATEBOARD**

(71) Applicant: **Acton, Inc.**, Mountain View, CA (US)

(72) Inventors: **Peter Treadway**, Sunnyvale, CA (US);
Janelle Wang Treadway, Sunnyvale, CA (US)

(73) Assignee: **Acton, Inc.**, Mountain View, CA (US)

(**) Term: **15 Years**

(21) Appl. No.: **29/581,208**

(22) Filed: **Oct. 17, 2016**

(51) **LOC (11) Cl.** **21-02**

(52) **U.S. Cl.**
USPC **D21/765**

(58) **Field of Classification Search**
USPC D21/419, 421, 423, 426, 662, 760, 765,
D21/766, 769, 771, 776, 803; D12/1;
280/7.14, 11.115, 11.19, 11.27, 87.042,
280/610; 434/247, 253, 258; D34/23,
D34/28; 180/181
CPC A63C 17/01; A63C 17/011; A63C 17/012;
A63C 17/014; A63C 17/015; A63C
17/02; A63C 17/26; A63C 5/003; B60Q
1/326; B62K 3/001

See application file for complete search history.

(56) **References Cited**

U.S. PATENT DOCUMENTS

D422,662 S * 4/2000 Edwards D21/765
D513,425 S * 1/2006 Kohl D21/765

D558,290 S * 12/2007 Findling D21/765
D679,768 S * 4/2013 Dye D21/765
D751,160 S * 3/2016 Tian D21/765
D785,739 S * 5/2017 Nay D21/779
D797,227 S * 9/2017 Treadway D21/765
2014/0027192 A1* 1/2014 King A63C 17/12
180/181

* cited by examiner

Primary Examiner — Robin V Webster

Assistant Examiner — Keith J Wilson

(74) *Attorney, Agent, or Firm* — Sheppard Mullin Richter
& Hampton LLP

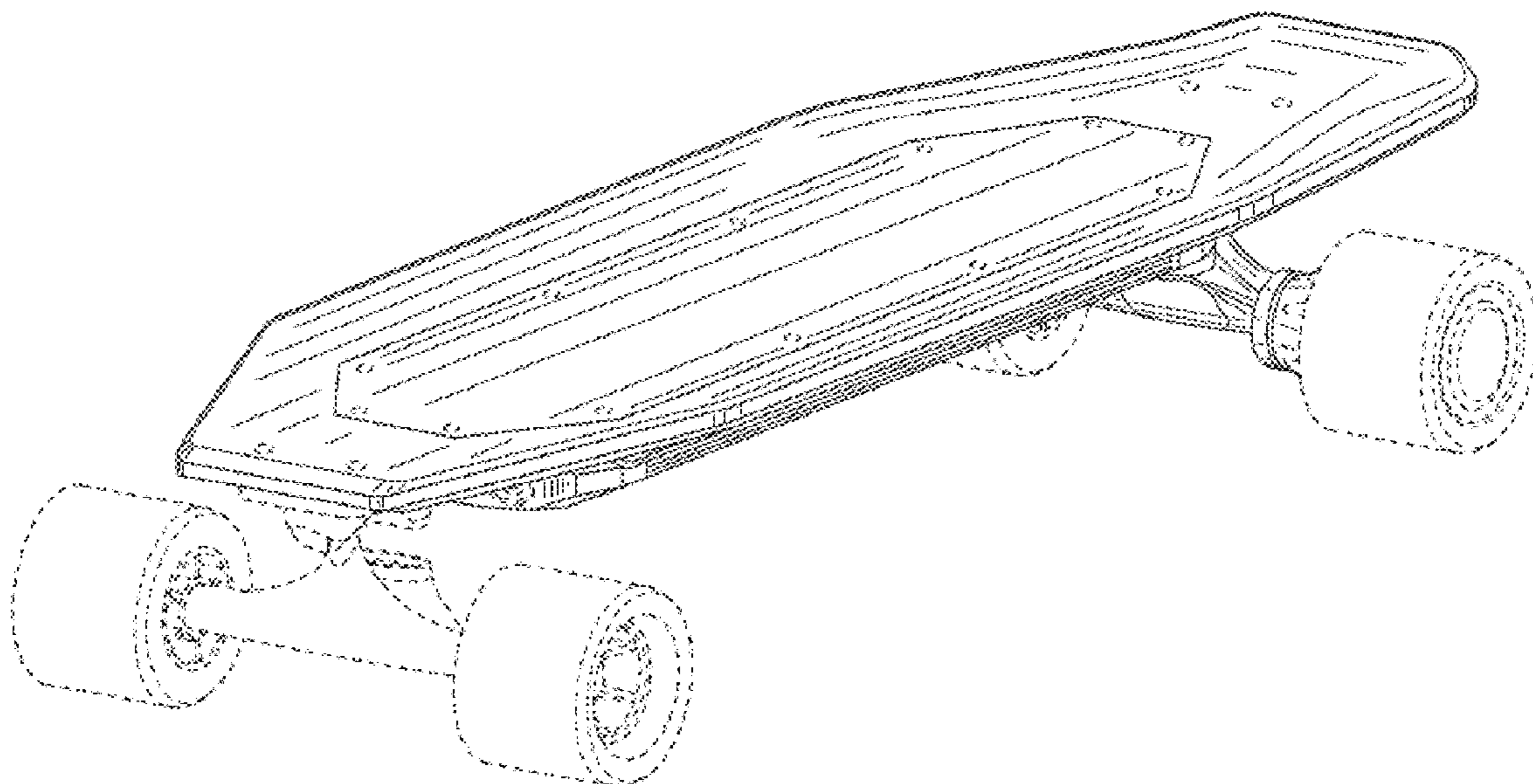
(57) **CLAIM**

The ornamental design for a battery powered skateboard, as shown and described.

DESCRIPTION

FIG. 1 is a top, front, and right-side perspective view showing the battery powered skateboard;
FIG. 2 is a bottom, rear, and left-side perspective view thereof;
FIG. 3 is a right-side view thereof;
FIG. 4 is a left-side view thereof;
FIG. 5 is a front view thereof;
FIG. 6 is a rear view thereof;
FIG. 7 is top view thereof; and,
FIG. 8 is a bottom view thereof.
The broken lines in FIGS. 1 through 8 illustrate portions of the battery powered skateboard that are not part of the claimed design.

1 Claim, 6 Drawing Sheets



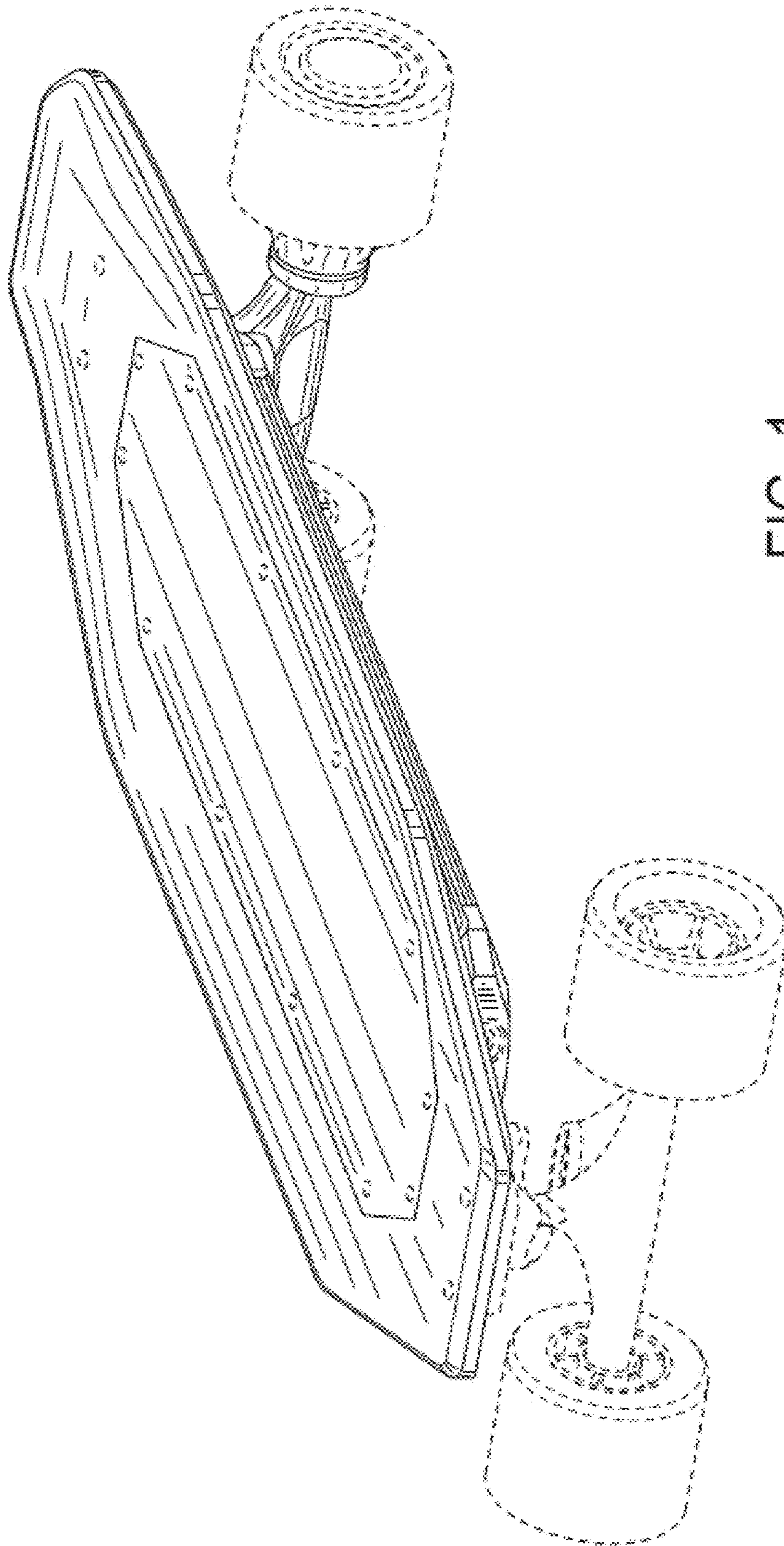


FIG. 1

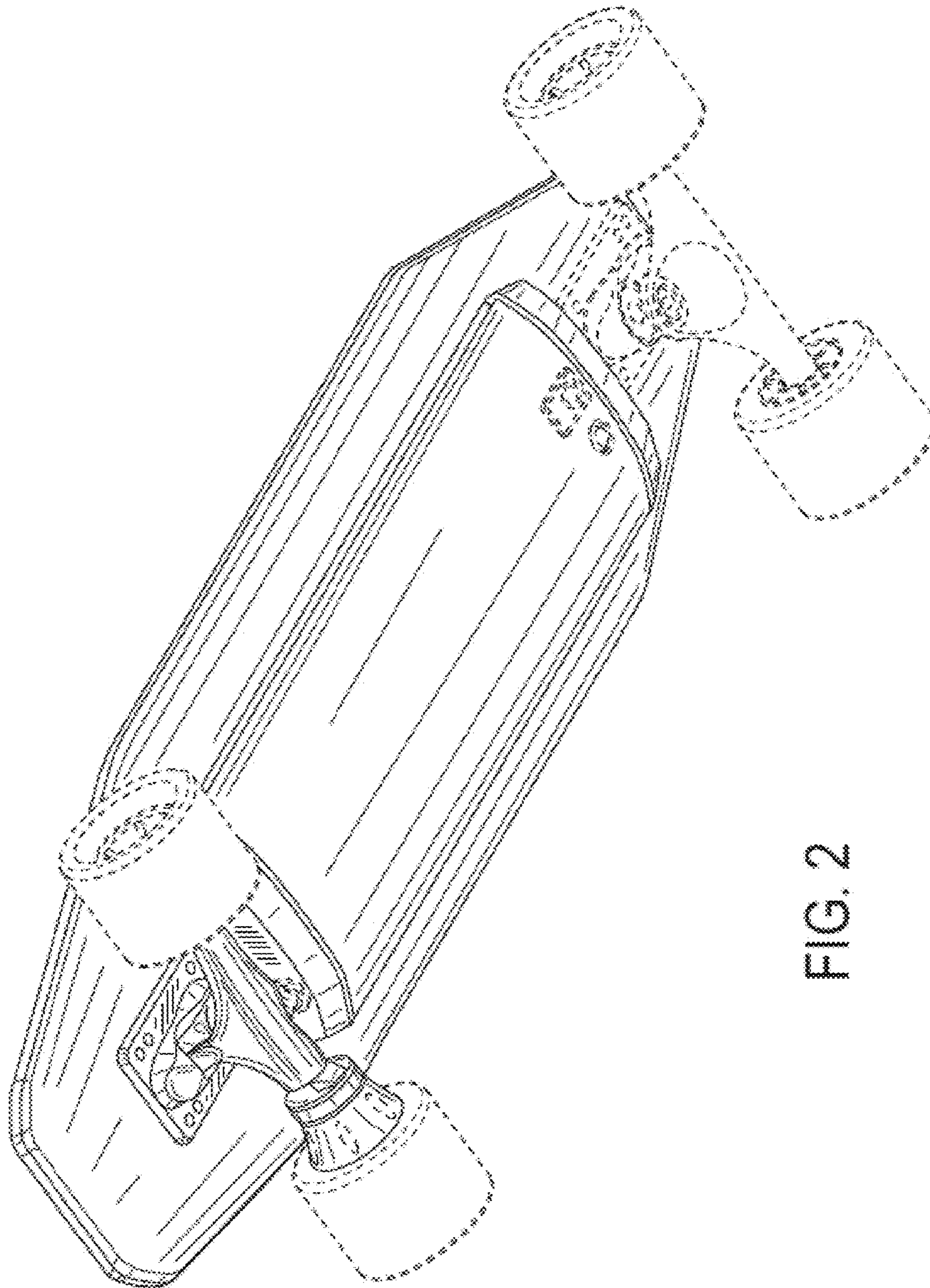


FIG. 2

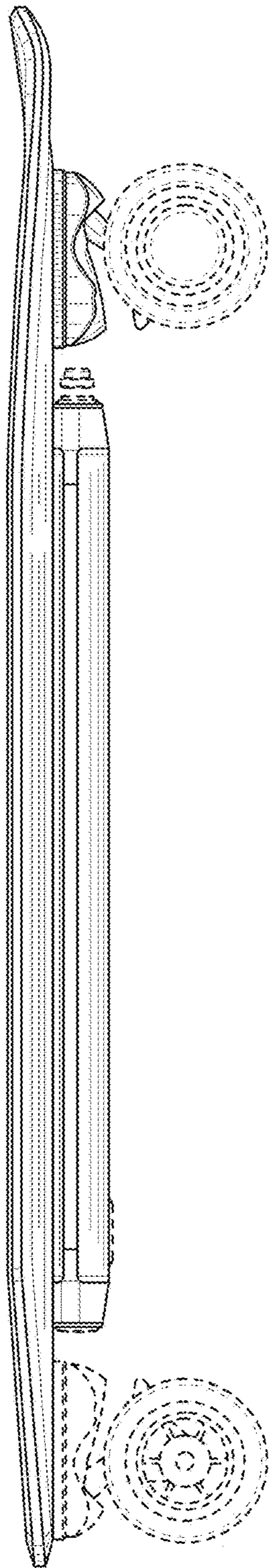


FIG. 3



FIG. 4

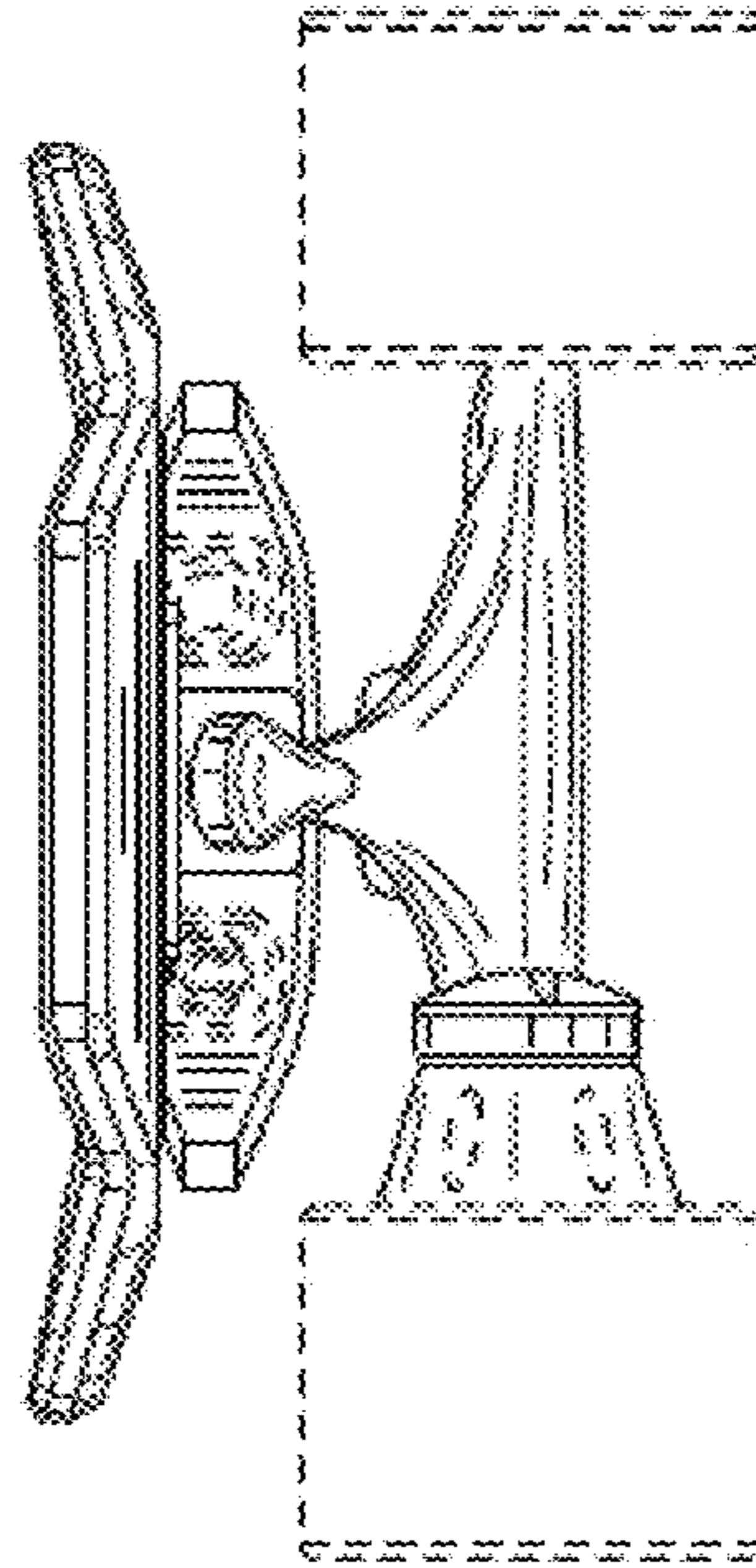


FIG. 6

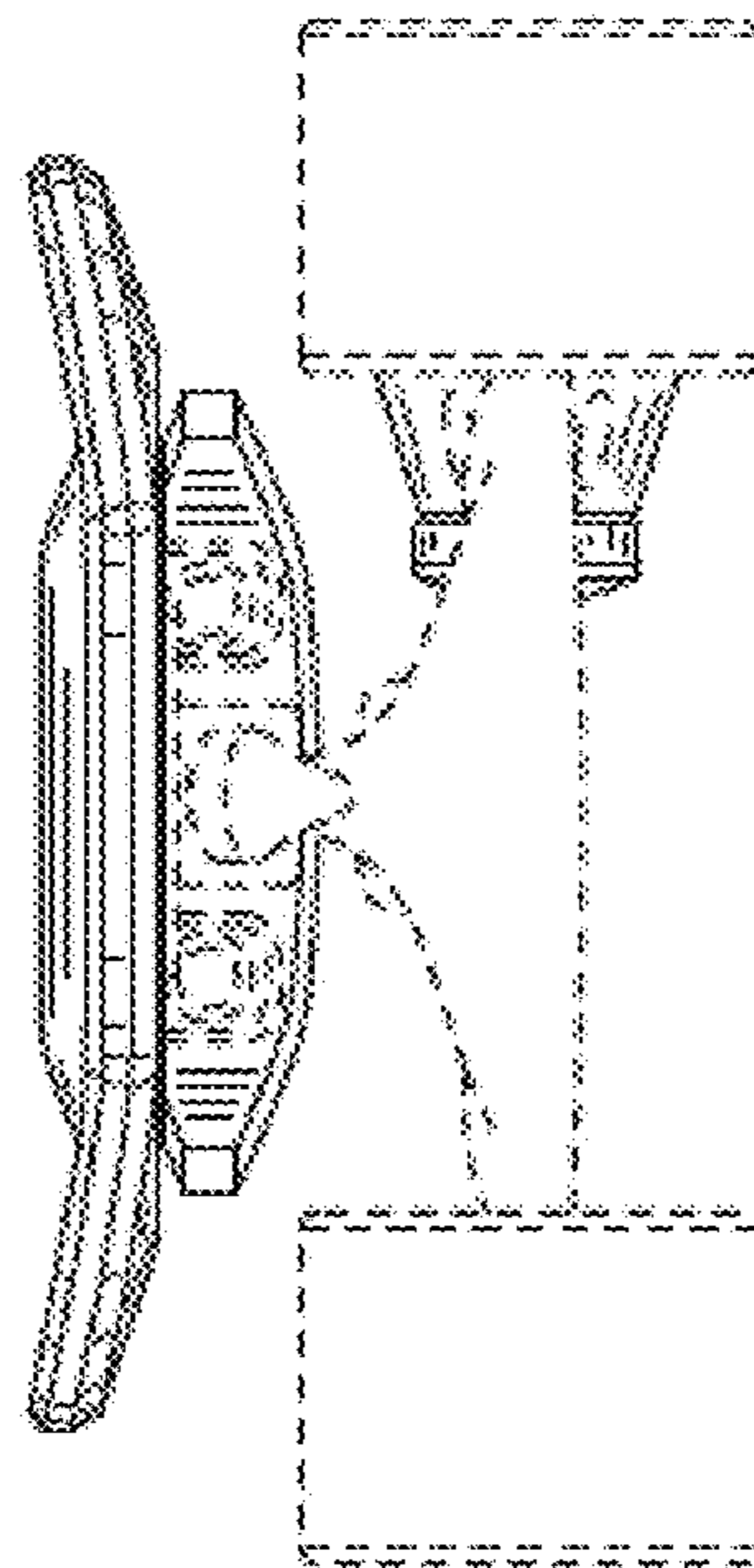


FIG. 5

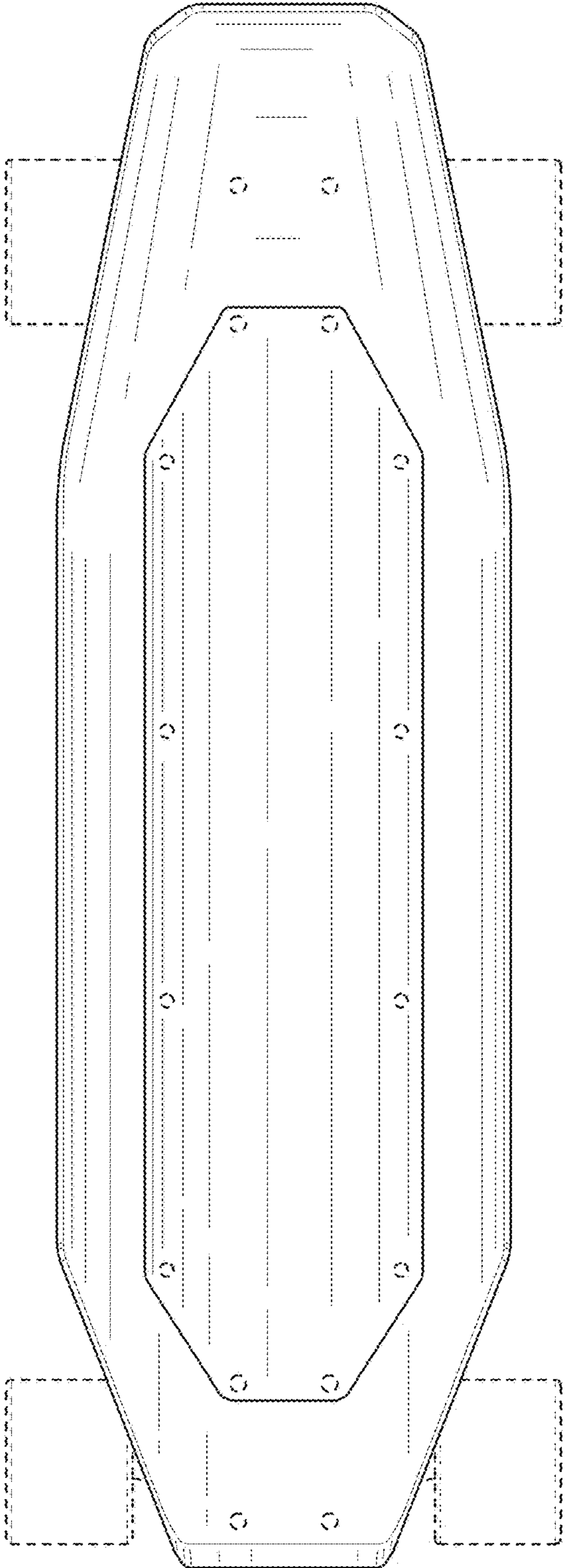


FIG. 7

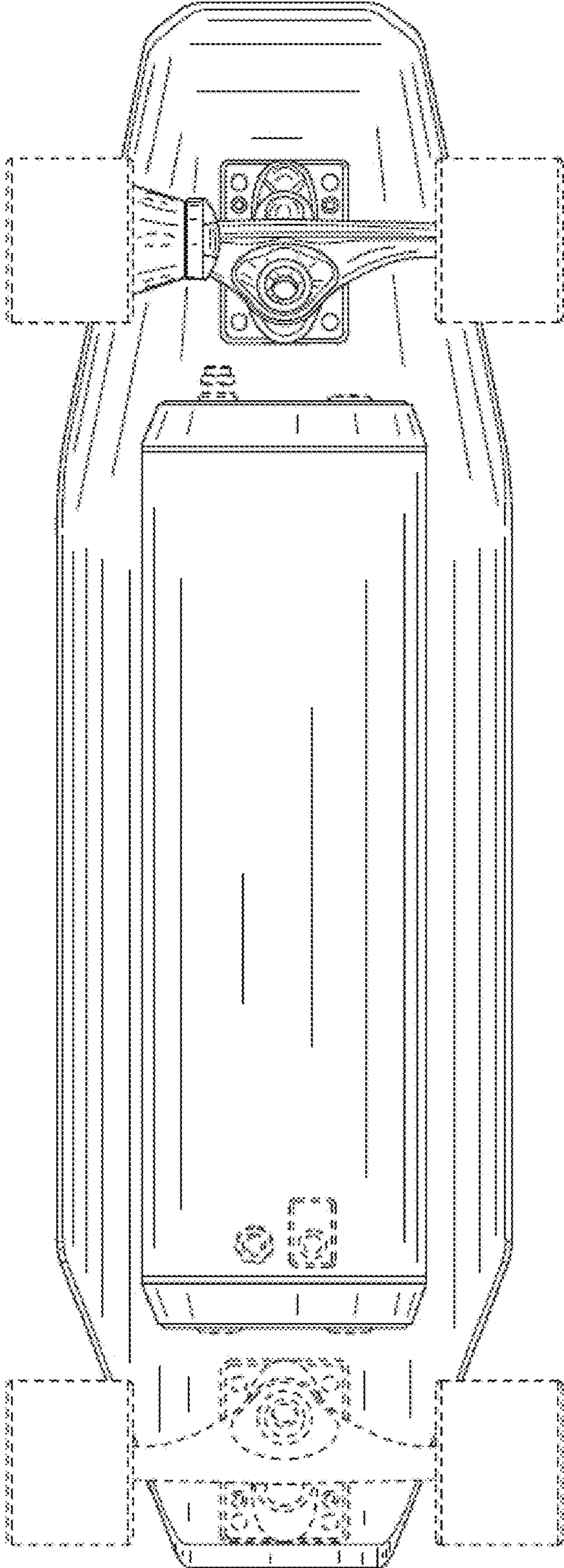


FIG. 8