



US00D835219S

(12) **United States Design Patent** (10) **Patent No.:** **US D835,219 S**
Daoust et al. (45) **Date of Patent:** **** Dec. 4, 2018**

- (54) **RUNNER FOR ICE SKATE**
- (71) Applicant: **SPORT MASKA INC.**, Montreal (CA)
- (72) Inventors: **Bernard Daoust**, Sutton (CA); **Andrew Cormack**, Deux-Montagnes (CA); **Daniel Chartrand**, Lorraine (CA); **Georges-Emmanuel Harvey**, Laval (CA); **Philippe Lapierre**, Montreal (CA)
- (73) Assignee: **SPORT MASKA INC.**, Montreal, Quebec
- (**) Term: **15 Years**
- (21) Appl. No.: **29/653,717**
- (22) Filed: **Jun. 18, 2018**

4,251,086 A	2/1981	Woolley
4,353,562 A	10/1982	Tiefenthal
4,744,574 A	5/1988	Soo
4,907,813 A	3/1990	Hall
5,088,749 A	2/1992	Olivieri
5,332,242 A	7/1994	Cann et al.
5,484,148 A	1/1996	Olivieri
D396,515 S	7/1998	Venier et al.
5,988,683 A	11/1999	Venier et al.
6,039,328 A	3/2000	Pawlowski et al.
6,467,778 B1	10/2002	Goldsmith
6,523,835 B1	2/2003	Lyden
6,761,363 B2	7/2004	Fask
7,648,146 B2	1/2010	Tatomir
7,758,053 B2	7/2010	Wylie
D631,120 S	1/2011	Salmon
D665,473 S	8/2012	Corbeil
8,297,627 B2	10/2012	Smith, II

(Continued)

Primary Examiner — Cynthia M. Chin
(74) *Attorney, Agent, or Firm* — Norton Rose Fulbright Canada

Related U.S. Application Data

- (62) Division of application No. 29/597,359, filed on Mar. 16, 2017.
- (51) **LOC (11) Cl.** **21-02**
- (52) **U.S. Cl.**
USPC **D21/761**
- (58) **Field of Classification Search**
USPC D21/760, 761, 762, 771, 772, 776;
280/7.13, 11.12, 11.15, 11.14, 11.17,
280/11.18, 11.223, 11.3, 825, 841
CPC A63C 1/00; A63C 1/30; A63C 1/32; A63C
1/34; A63C 1/40; A63C 3/00; A63C
17/00; A63C 17/18; A63C 17/20
See application file for complete search history.

(56) **References Cited**

U.S. PATENT DOCUMENTS

- 3,026,118 A 3/1962 Victor
- 4,223,900 A 9/1980 Olivieri

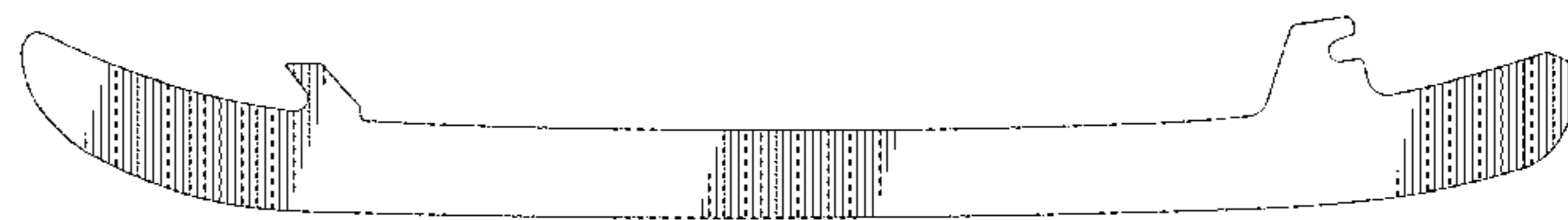
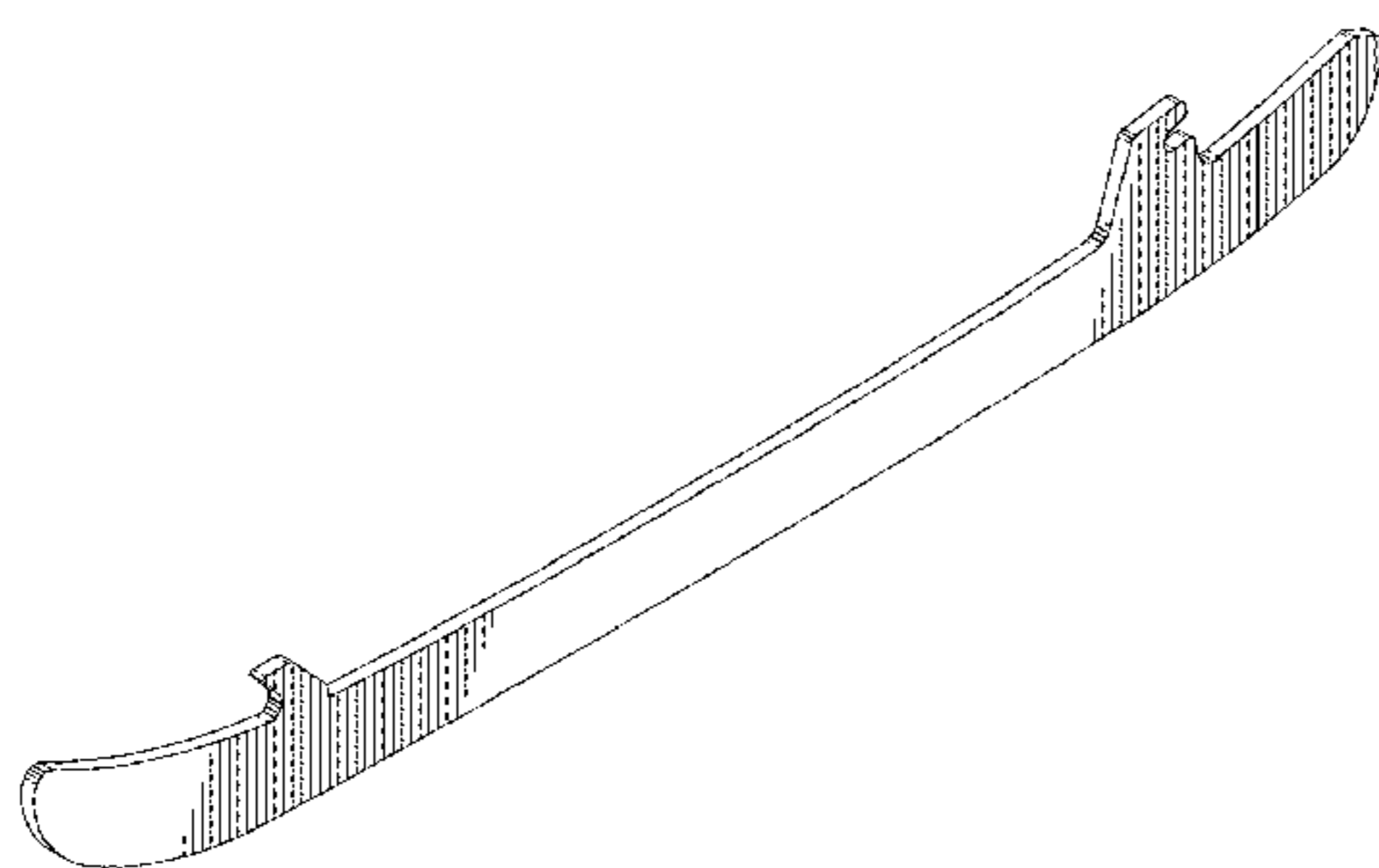
(57) **CLAIM**

We claim the ornamental design for a runner for ice skate, as shown and described.

DESCRIPTION

FIG. 1 is a side environmental view of a runner for ice skate according to our new design;
FIG. 2 is a tridimensional view of the runner for ice skate in accordance with our new design;
FIG. 3 is a top plan view of the design of FIG. 2;
FIG. 4 is a bottom plan view of the design of FIG. 2;
FIG. 5 is a side elevation view of the design of FIG. 2, the opposite side being a mirror image thereof;
FIG. 6 is a front elevation view of the design of FIG. 2; and,
FIG. 7 is a rear elevation view of the design of FIG. 2.
The broken lines represent the environment in which the article resides and forms no part of the claimed design.

1 Claim, 3 Drawing Sheets



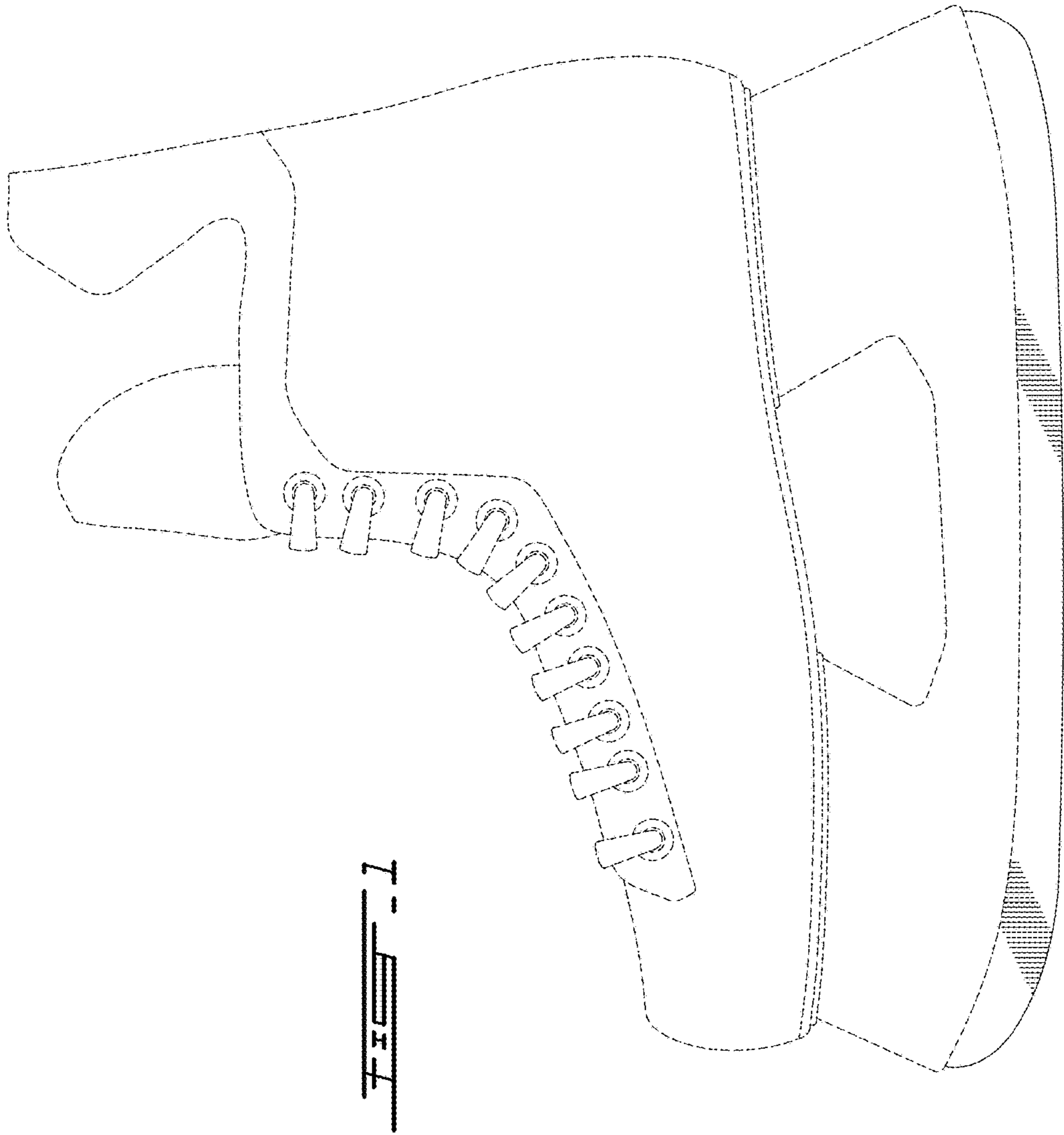
(56)

References Cited

U.S. PATENT DOCUMENTS

8,353,535	B2	1/2013	Salmon et al.	
8,454,030	B2	6/2013	Corbeil et al.	
8,534,680	B1	9/2013	Corbeil et al.	
8,550,472	B2	10/2013	Salmon et al.	
9,717,300	B2	8/2017	Van Home et al.	
9,855,487	B2 *	1/2018	Chartrand	A63C 1/02
2001/0052678	A1	12/2001	Titzmann	
2004/0100042	A1 *	5/2004	Lambert	A63C 1/30 280/11.18
2005/0167934	A1	8/2005	Smith	
2009/0273148	A1	11/2009	Wan	
2011/0121527	A1	5/2011	Salmon et al.	
2013/0038031	A1	2/2013	Cruikshank et al.	
2013/0285338	A1	10/2013	Blois	
2014/0062041	A1	3/2014	Maars	
2014/0225337	A1	8/2014	Olson	
2014/0284890	A1	9/2014	Wuerthner	
2017/0028291	A1	2/2017	Green et al.	

* cited by examiner



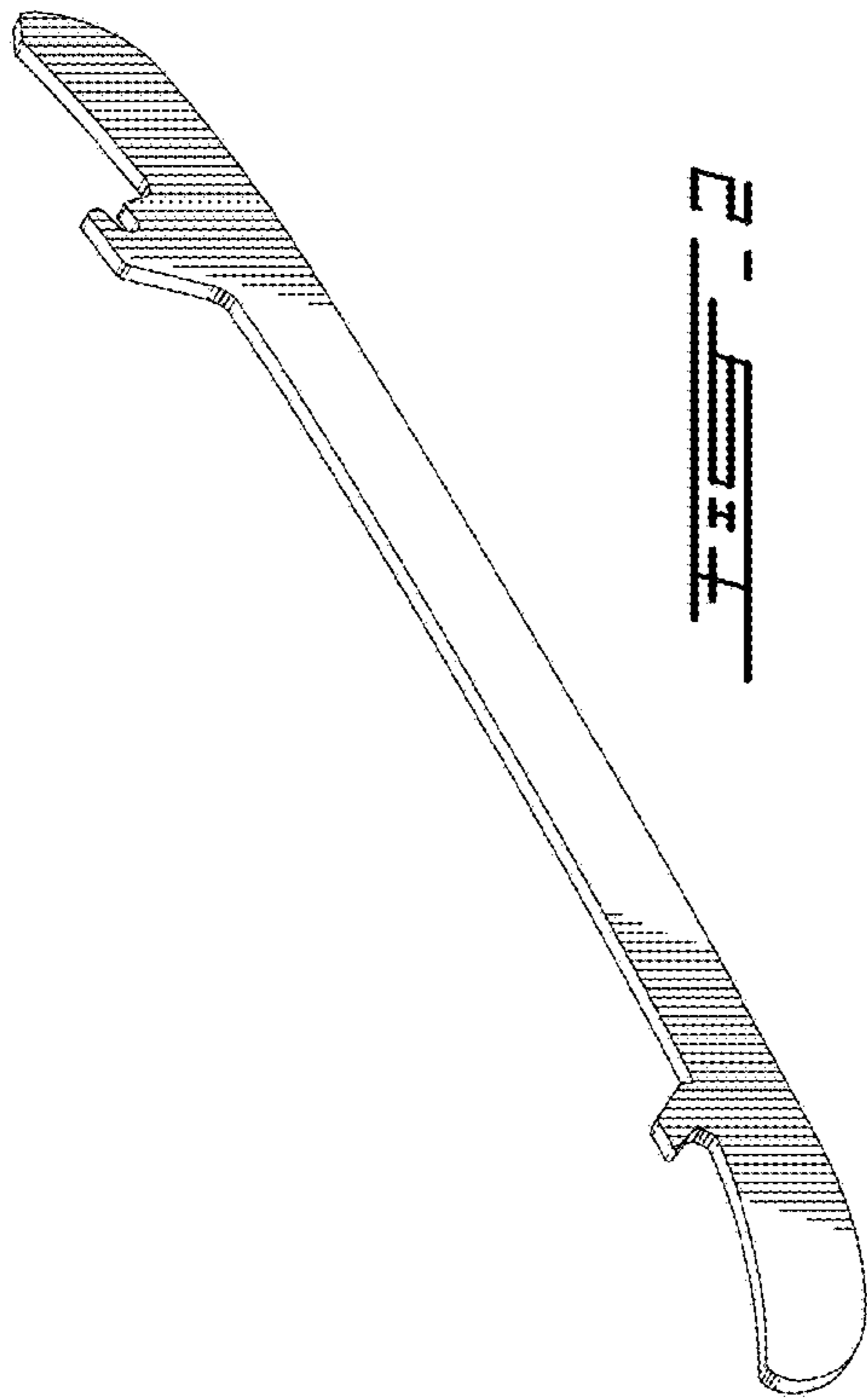


FIG. 2

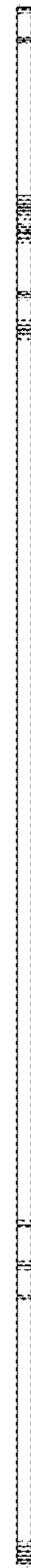


FIG. 3

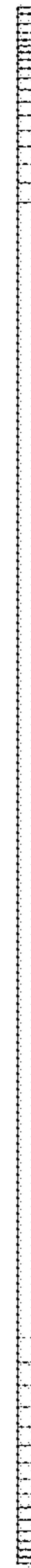


FIG. 4

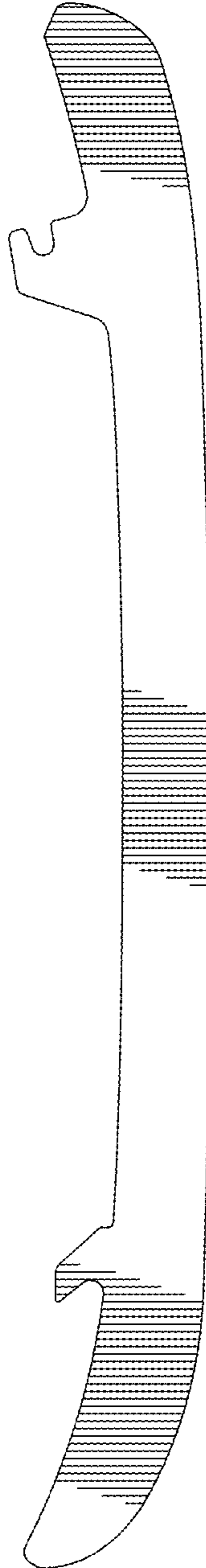


FIG. 5

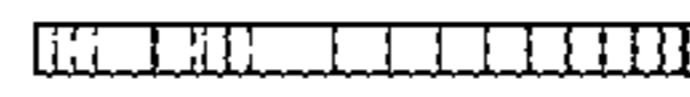


FIG. 7

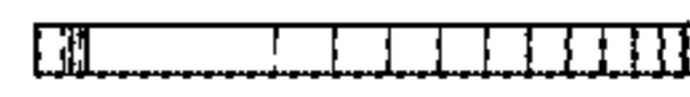


FIG. 6