



US00D835218S

(12) **United States Design Patent** (10) **Patent No.:** **US D835,218 S**
Rollinson et al. (45) **Date of Patent:** **** Dec. 4, 2018**

(54) **PUTTER HEAD**

(71) Applicant: **Callaway Golf Company**, Carlsbad, CA (US)

(72) Inventors: **Augustin W. Rollinson**, Solana Beach, CA (US); **Patrick Dawson**, San Diego, CA (US)

(73) Assignee: **Callaway Golf Company**, Carlsbad, CA (US)

(**) Term: **15 Years**

(21) Appl. No.: **29/621,352**

(22) Filed: **Oct. 6, 2017**

(51) **LOC (11) Cl.** **21-02**

(52) **U.S. Cl.**
USPC **D21/743**

(58) **Field of Classification Search**
USPC D21/736-746, 759
See application file for complete search history.

(56) **References Cited**

U.S. PATENT DOCUMENTS

D449,085 S *	10/2001	Breier	D21/744
D583,886 S *	12/2008	Cameron	D21/743
D588,657 S *	3/2009	Hettinger	D21/744
D641,057 S *	7/2011	Rollinson	D21/744
D641,440 S *	7/2011	Hettinger	D21/743
D641,442 S *	7/2011	Rollinson	D21/744
D650,457 S *	12/2011	Rollinson	D21/743
D650,458 S *	12/2011	Rollinson	D21/744

D652,092 S *	1/2012	Rollinson	D21/743
D688,762 S *	8/2013	Hilton	D21/736
D690,378 S *	9/2013	Rollinson	D21/743
D691,681 S *	10/2013	Hilton	D21/736
D733,233 S *	6/2015	Dolezel	D21/742
D765,198 S *	8/2016	Cardani	D21/759
D777,268 S *	1/2017	Becktor	D21/742
D792,536 S *	7/2017	Wang	D21/743
D826,353 S *	8/2018	Cameron	D21/736
2015/0080148 A1 *	3/2015	Cameron	A63B 53/0487 473/340

* cited by examiner

Primary Examiner — Mitchell I. Siegel

(74) *Attorney, Agent, or Firm* — Rebecca Hanovice; Michael Catania; Sonia Lari

(57) **CLAIM**

The ornamental design for a putter head, as shown and described.

DESCRIPTION

FIG. 1 is a rear perspective view of the putter head claimed herein;

FIG. 2 is a rear elevational view thereof;

FIG. 3 is a front elevational view thereof;

FIG. 4 is a left side elevational view thereof;

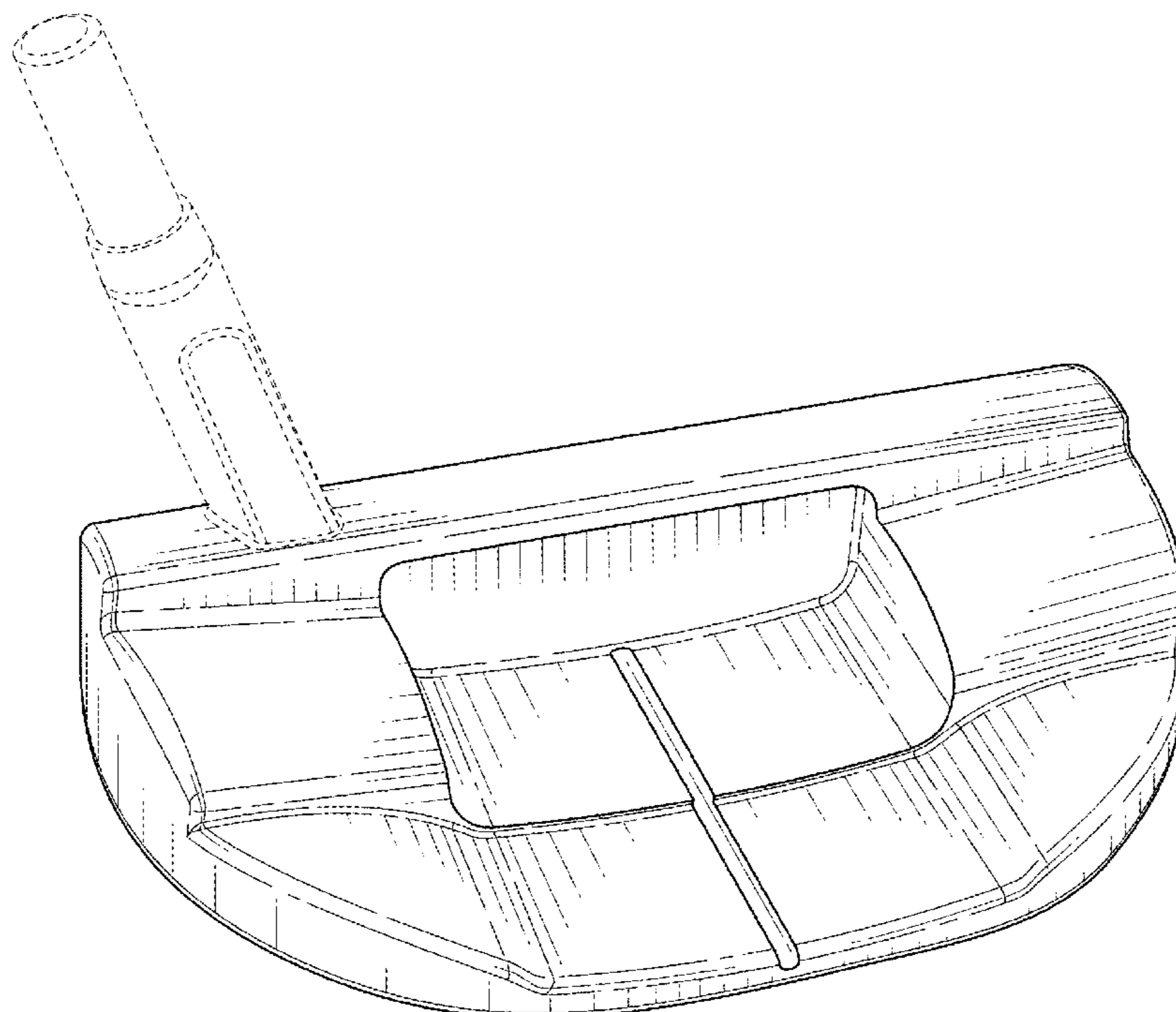
FIG. 5 is a right side elevational view thereof;

FIG. 6 is a top plan view thereof; and,

FIG. 7 is a bottom plan view thereof.

The broken line showing is included for the purpose of illustrating unclaimed subject matter and forms no part of the claimed design.

1 Claim, 4 Drawing Sheets



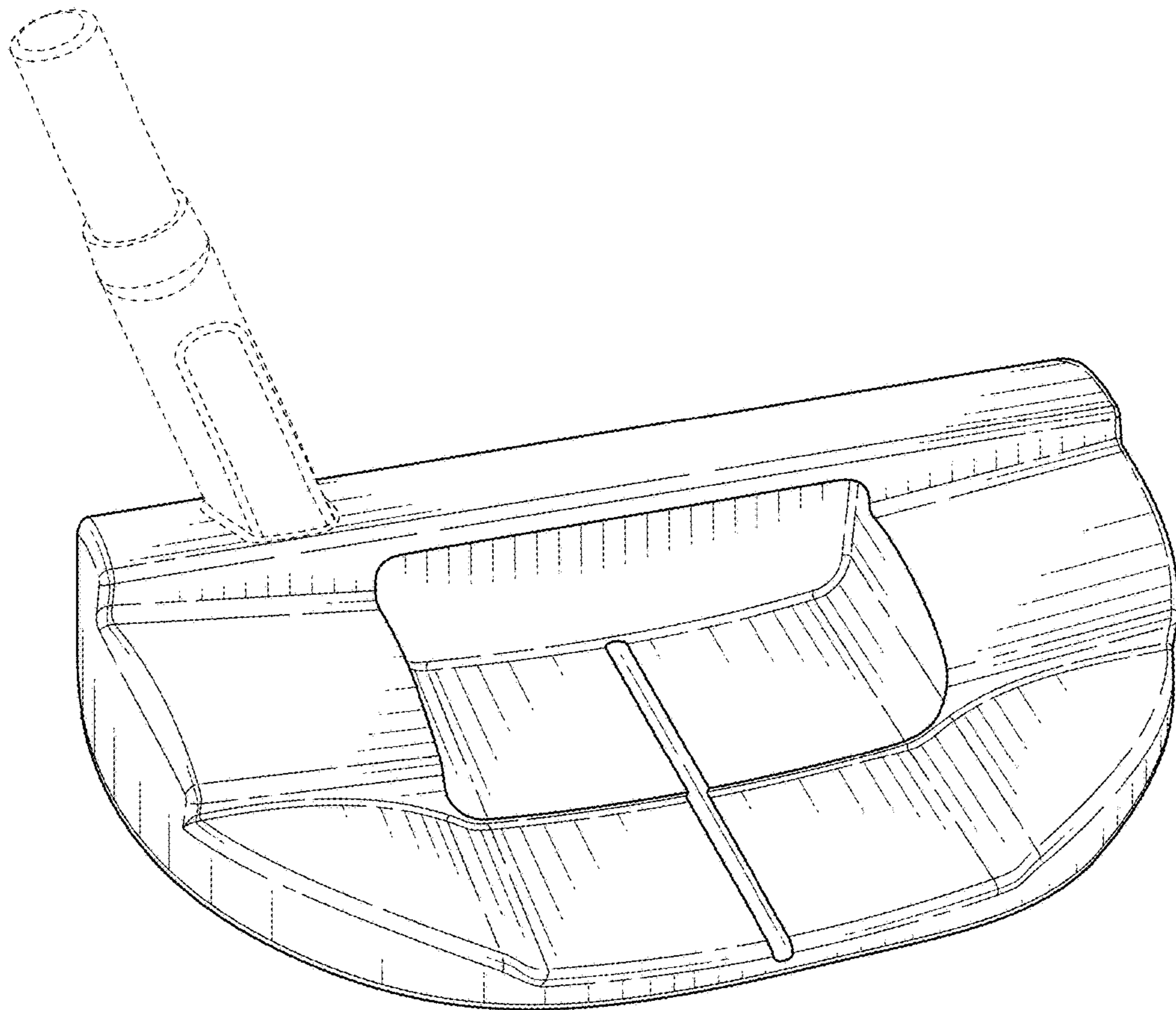


FIG. 1

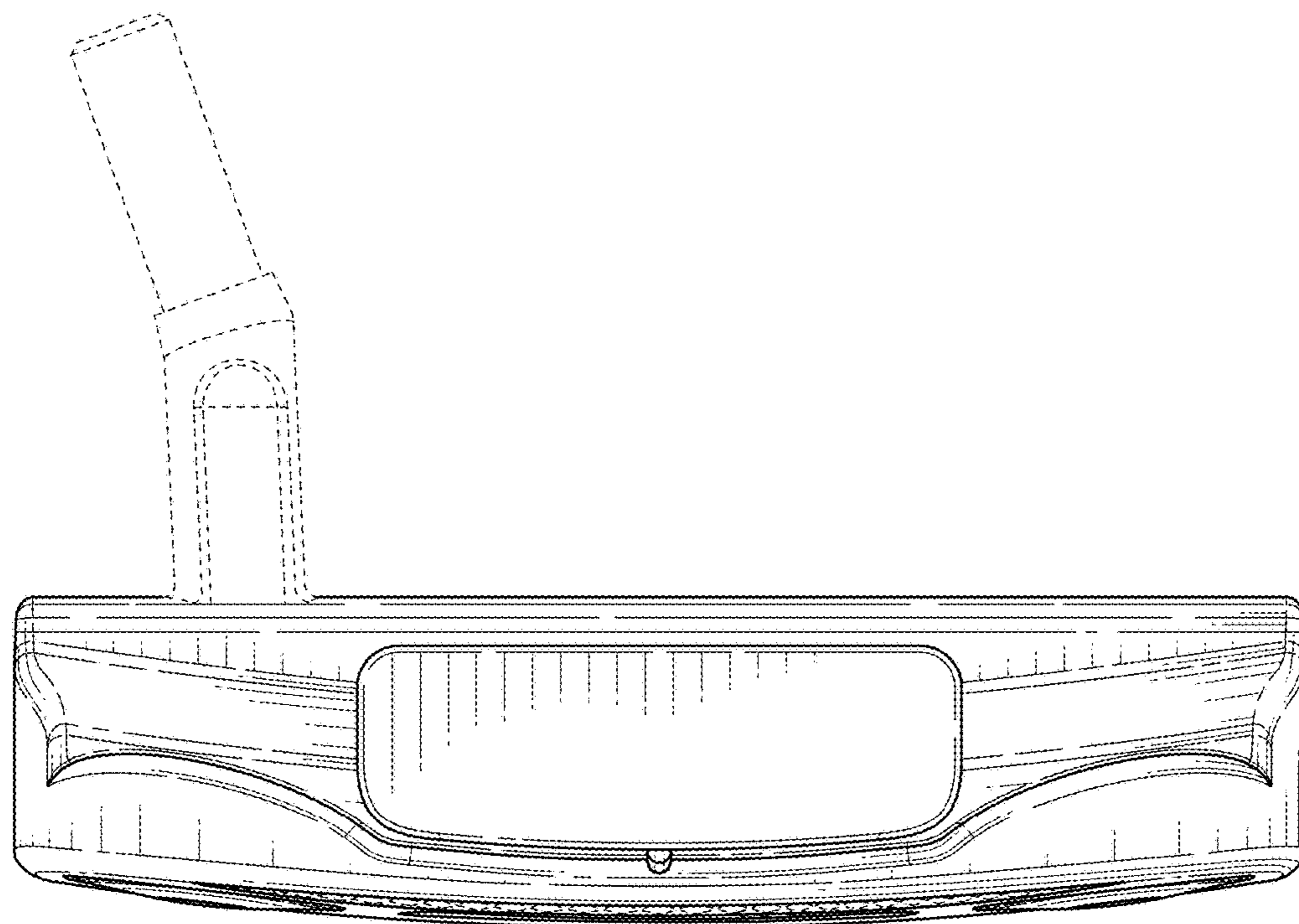


FIG. 2

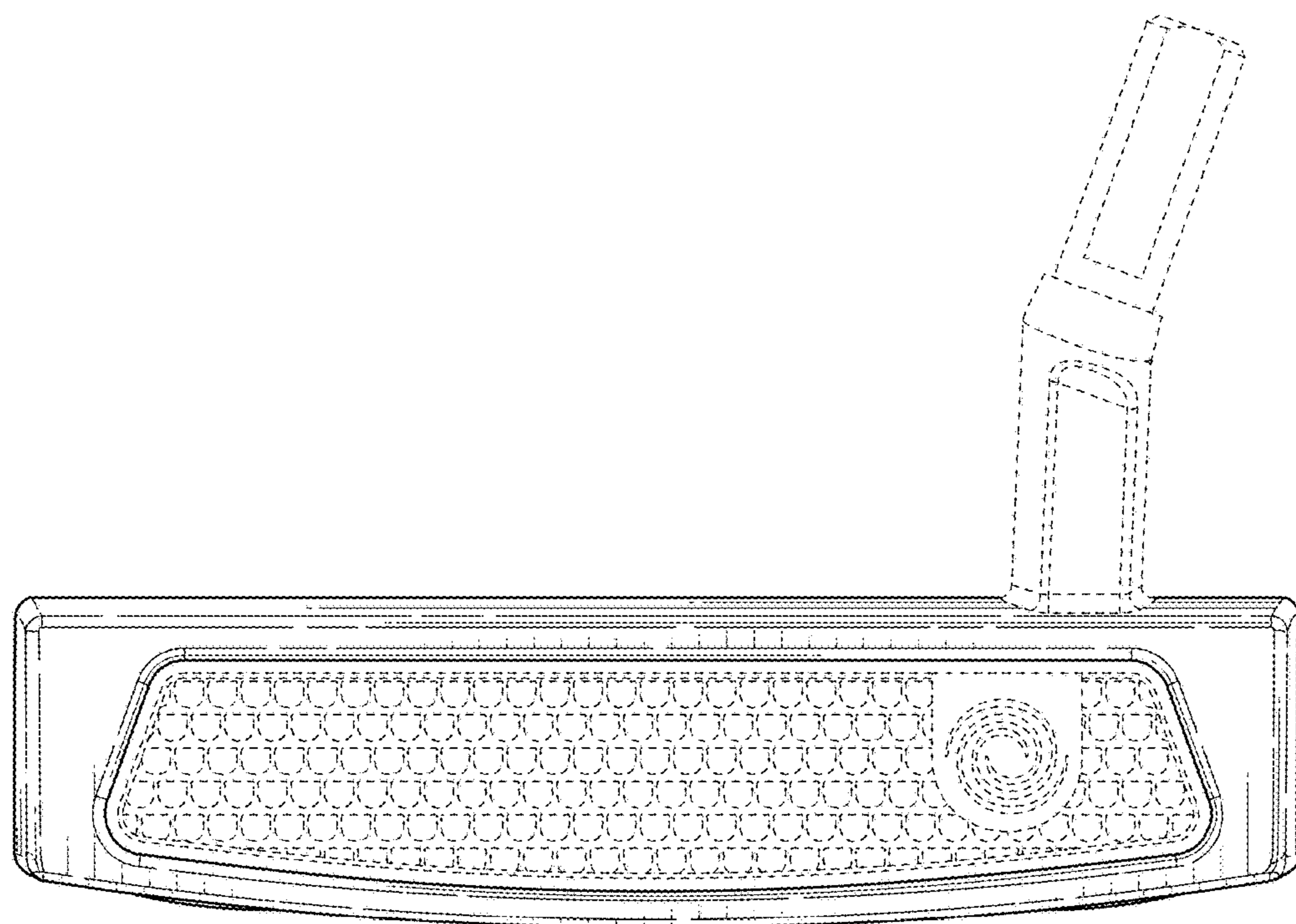


FIG. 3

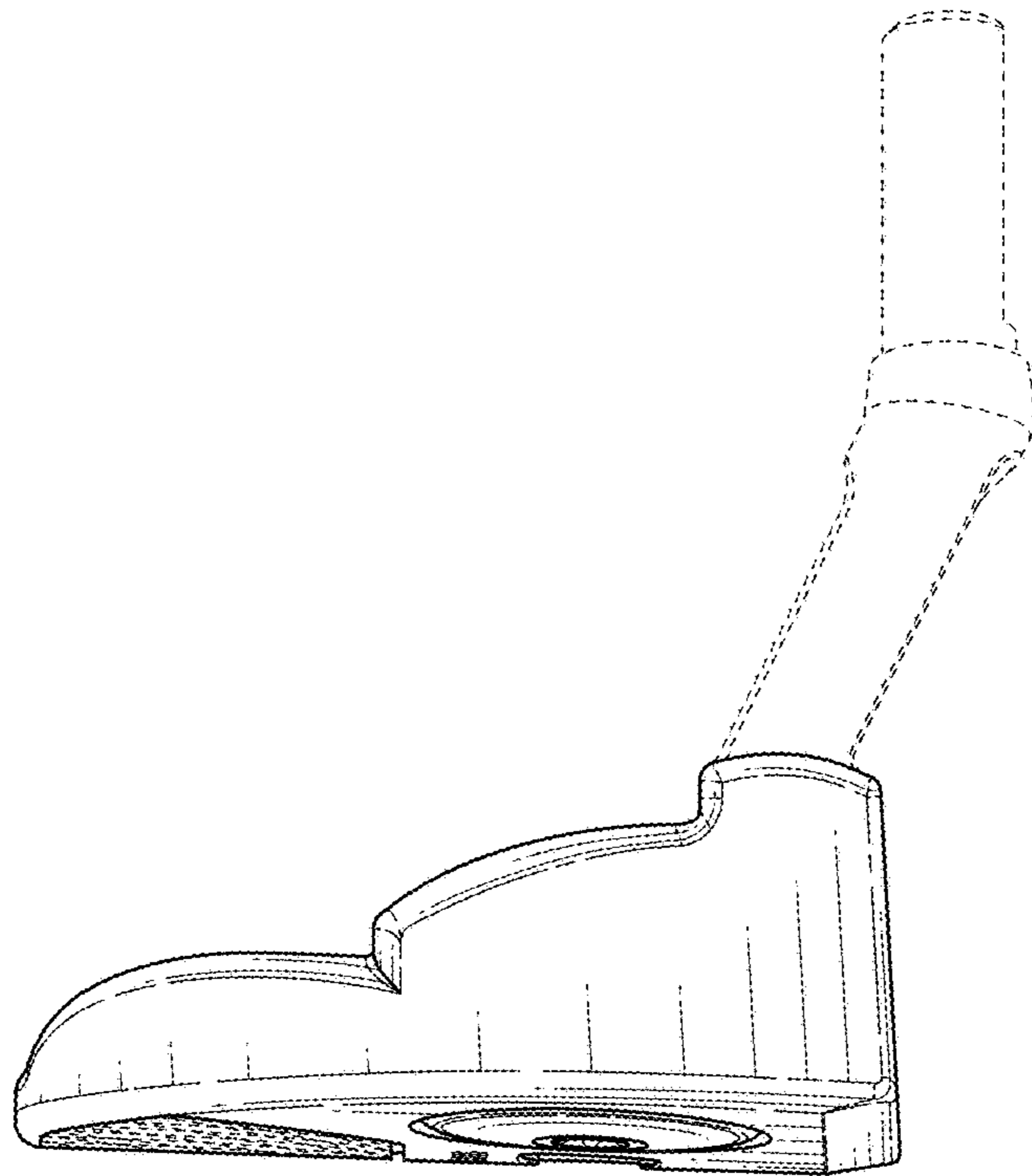


FIG. 4

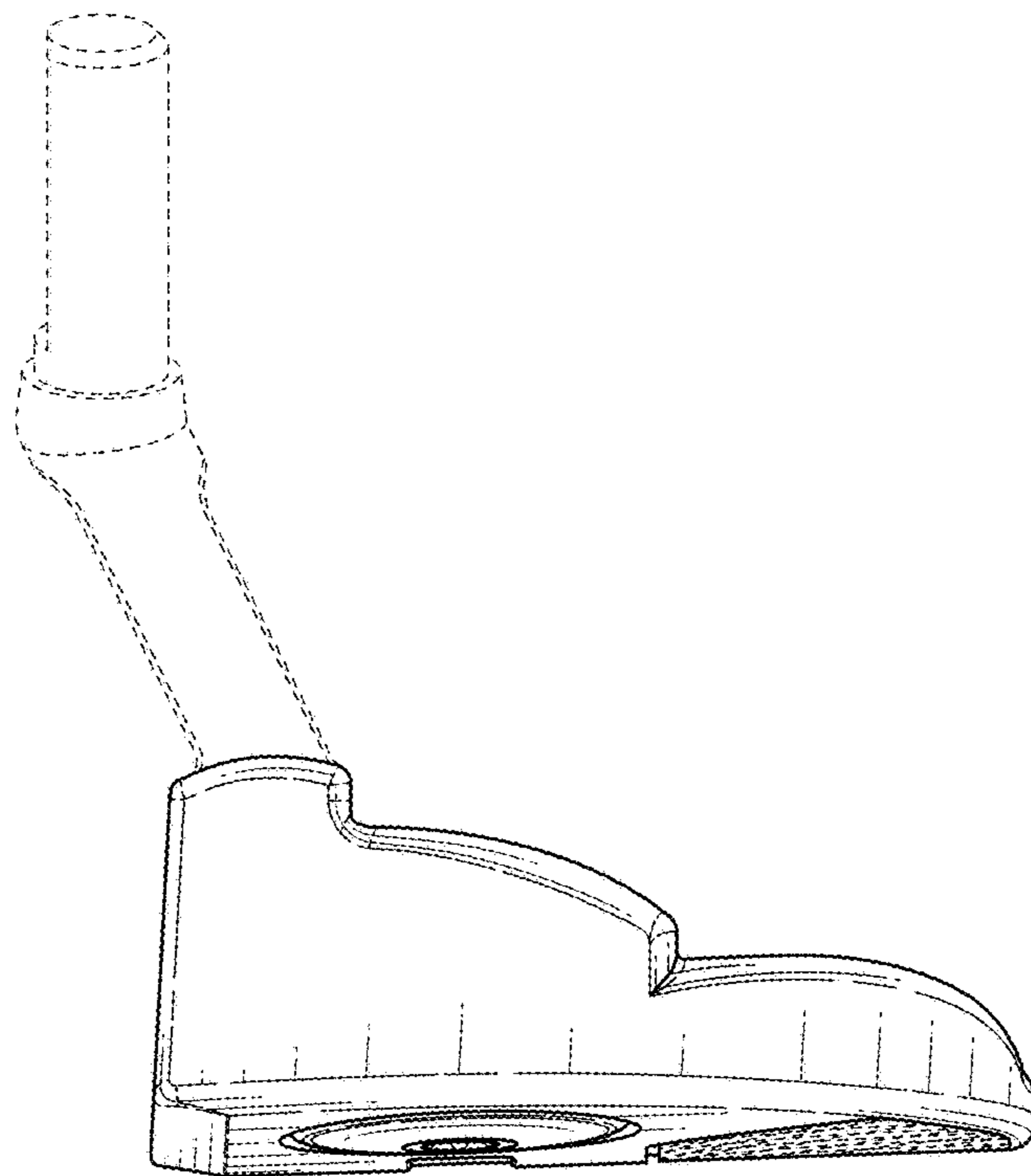


FIG. 5

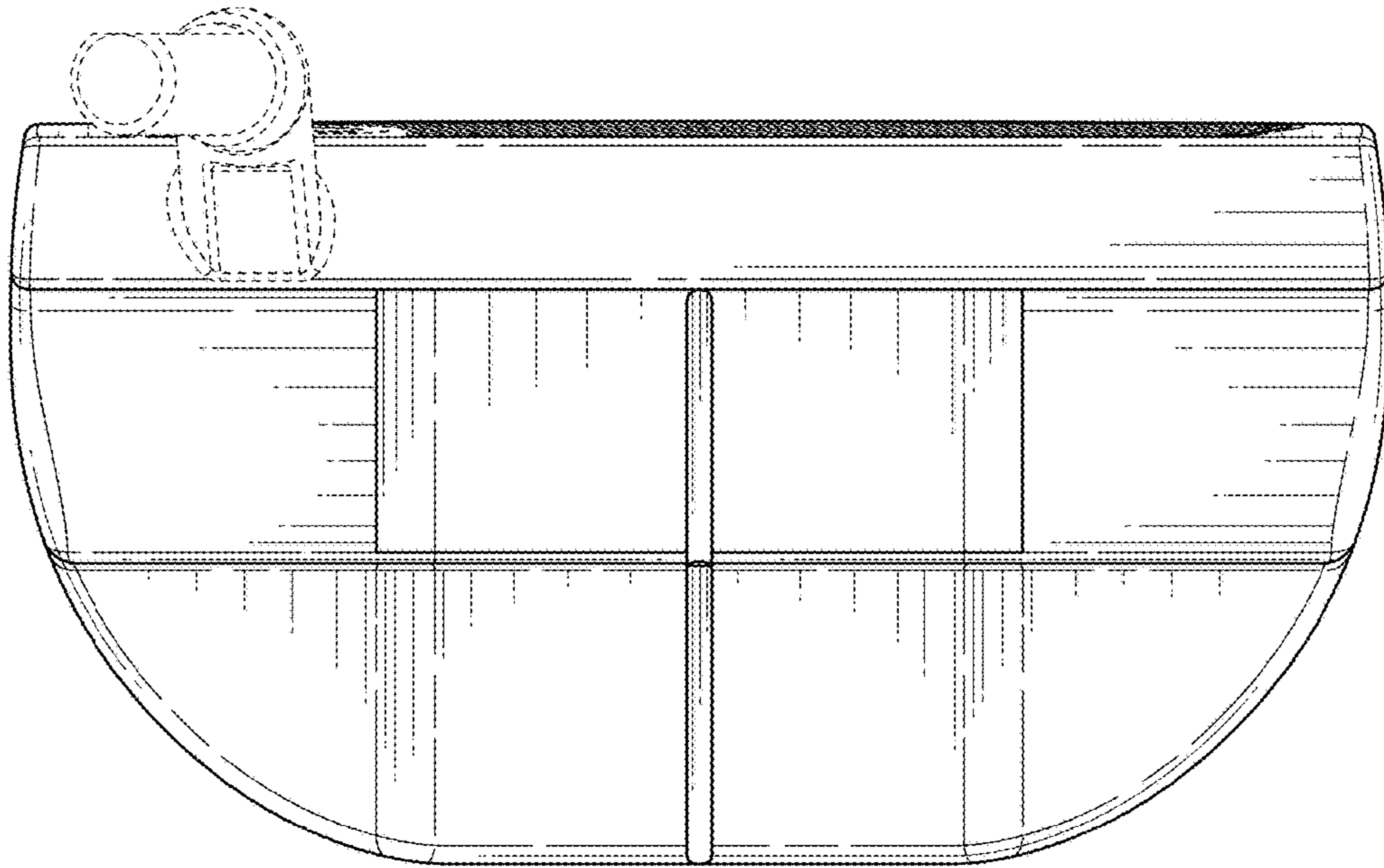


FIG. 6

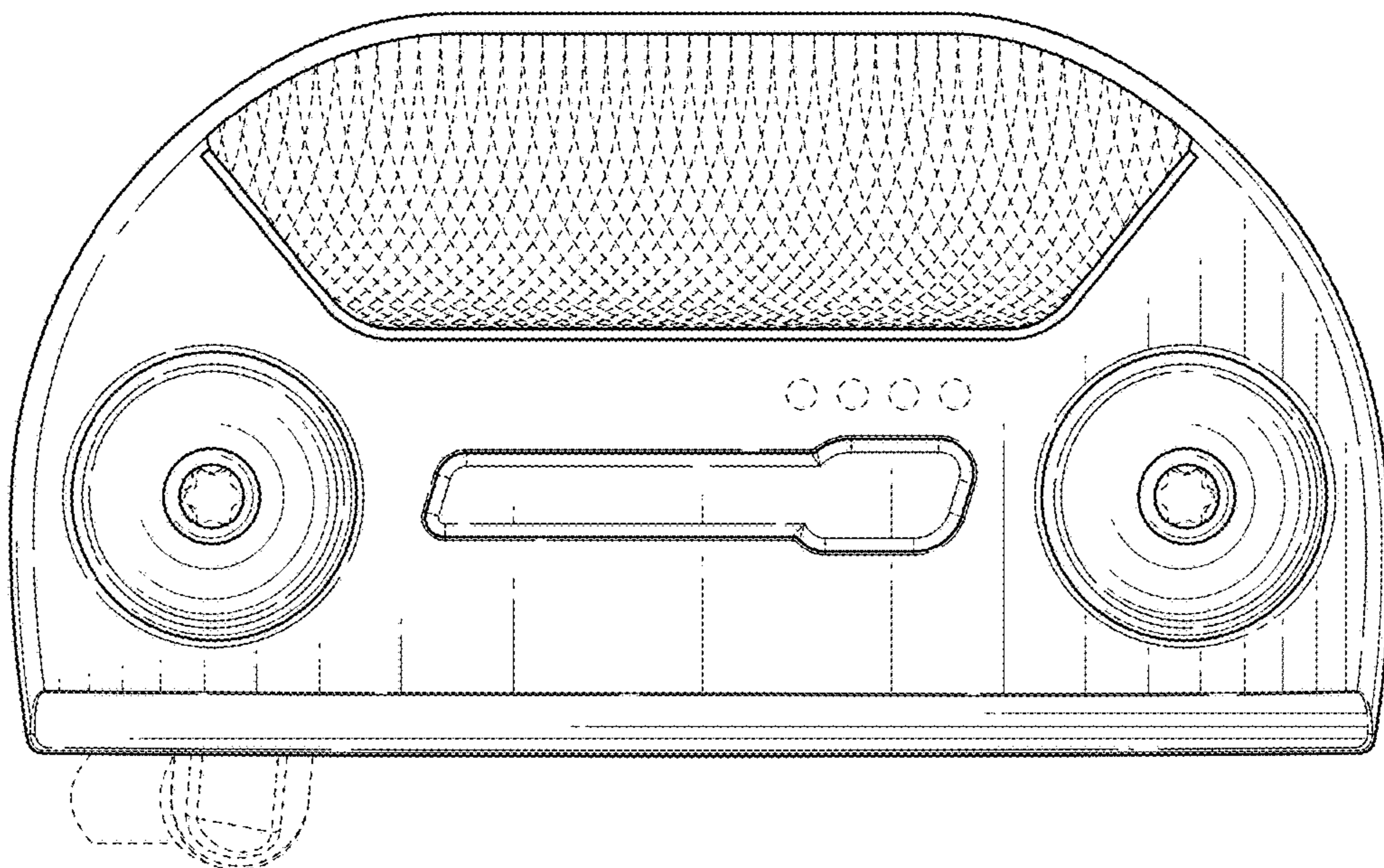


FIG. 7