



US00D835217S

(12) **United States Design Patent**
Nicolette

(10) **Patent No.:** **US D835,217 S**
(45) **Date of Patent:** **** Dec. 4, 2018**

- (54) **GOLF CLUB HEAD**
- (71) Applicant: **PARSONS XTREME GOLF, LLC**,
Scottsdale, AZ (US)
- (72) Inventor: **Michael R. Nicolette**, Scottsdale, AZ
(US)
- (73) Assignee: **PARSONS XTREME GOLF, LLC**,
Scottsdale, AZ (US)
- (**) Term: **15 Years**
- (21) Appl. No.: **29/616,183**
- (22) Filed: **Sep. 3, 2017**

5,489,097 A	2/1996	Simmons
D368,751 S	4/1996	Rife
D369,393 S	4/1996	Takahashi et al.
5,571,053 A	11/1996	Lane
D378,688 S	4/1997	Cameron
D385,609 S	10/1997	Cameron
5,683,307 A	11/1997	Rife
D388,143 S	12/1997	Huan-Chiang
D389,207 S	1/1998	Cameron
D396,685 S	9/1998	Masuda
D399,290 S	10/1998	Sizemore, Jr.
D399,911 S	10/1998	Nicolette et al.
5,839,974 A	11/1998	McAllister
D405,836 S	2/1999	Nicolette et al.
D409,701 S	5/1999	Ashcraft et al.
5,924,938 A	7/1999	Hines
D422,655 S	4/2000	Hicks
D426,276 S	6/2000	Besnard et al.
D431,854 S	10/2000	Cameron
D432,192 S	10/2000	Hicks
D436,151 S	1/2001	Nicolette et al.
D437,374 S	2/2001	Cameron
D441,820 S	5/2001	Nicolette et al.
D443,668 S	6/2001	Nicolette et al.
D443,905 S	6/2001	Nicolette et al.
D444,833 S	7/2001	Wells et al.
6,264,571 B1	7/2001	Lekavich
D449,664 S	10/2001	Beebe et al.
D449,865 S	10/2001	Fife, Jr. et al.
D450,799 S	11/2001	Nicolette et al.
D451,973 S	12/2001	Wells et al.
6,348,014 B1	2/2002	Chiu
6,354,959 B1	3/2002	Nicolette et al.
6,394,910 B1	5/2002	McCarthy
D472,949 S	4/2003	Serrano
D474,821 S	5/2003	Wells et al.
D474,949 S	5/2003	Schaffeld et al.
D483,086 S	12/2003	Schweigert et al.
D486,872 S	2/2004	Schweigert et al.
D488,200 S	4/2004	Olsavsky
D498,276 S	11/2004	Schweigert et al.
6,902,496 B2	6/2005	Solheim et al.
D512,116 S	11/2005	Miraflor et al.
6,988,956 B2	1/2006	Cover et al.
D520,088 S	5/2006	Parr
D531,242 S	10/2006	Adams
D532,067 S	11/2006	Soracco et al.
7,153,220 B2	12/2006	Lo
D534,595 S	1/2007	Hasebe
7,156,752 B1	1/2007	Bennett
D536,401 S	2/2007	Kawami
D536,403 S	2/2007	Kawami
D538,371 S	3/2007	Kawami

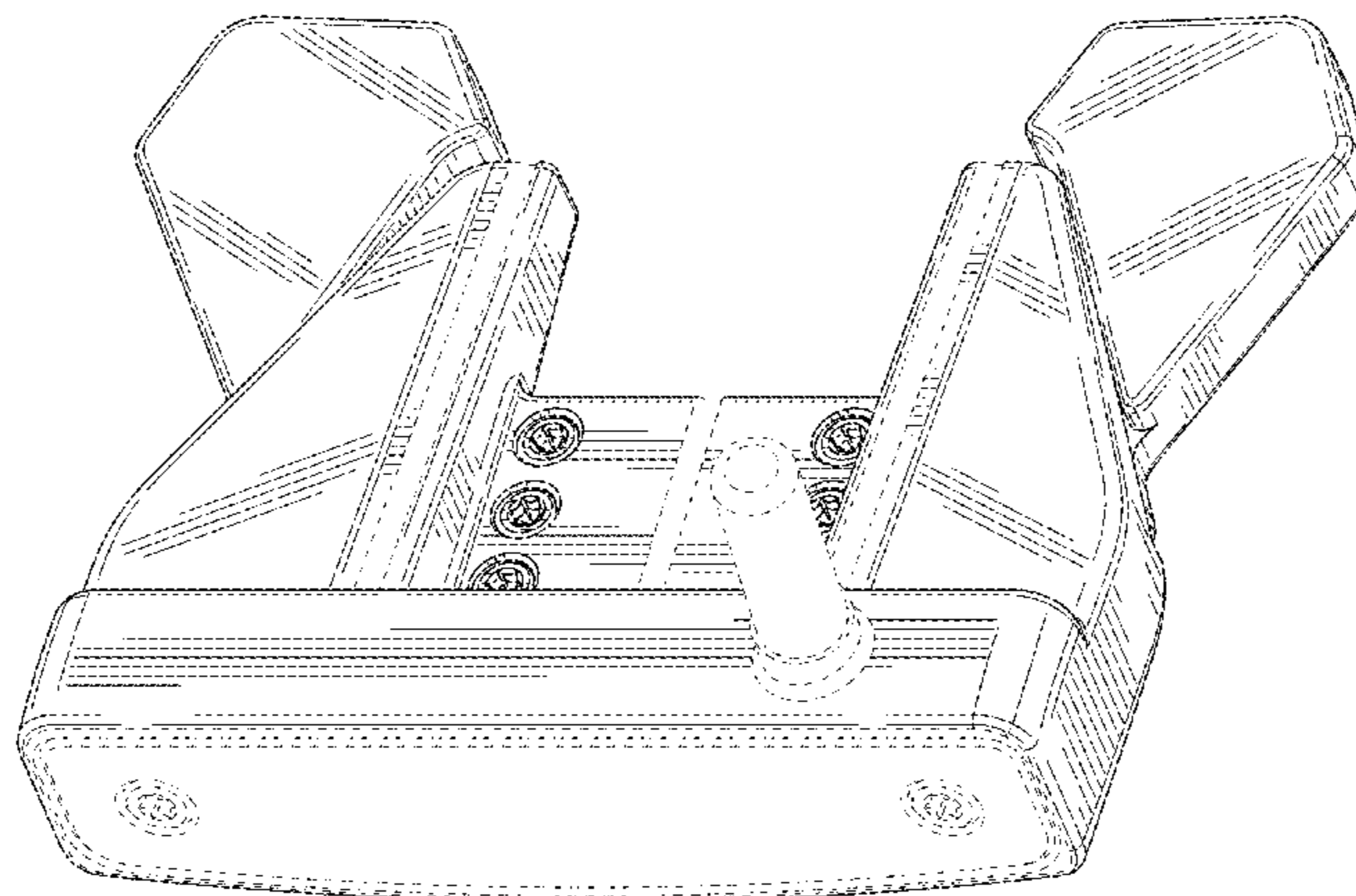
Related U.S. Application Data

- (63) Continuation-in-part of application No. 29/592,207,
filed on Jan. 27, 2017.
- (51) **LOC (11) Cl.** **21-02**
- (52) **U.S. Cl.**
USPC **D21/736**
- (58) **Field of Classification Search**
USPC D21/736-746, 759
CPC A63B 53/00; A63B 53/04; A63B 53/007;
A63B 53/065; A63B 53/0487; A63B
60/00; A63B 60/46
See application file for complete search history.

(56) **References Cited**

U.S. PATENT DOCUMENTS

922,444 A	5/1909	Youds
RE19,178 E	5/1934	Spiker
4,043,562 A	8/1977	Shillington
4,754,977 A	7/1988	Sahm
4,869,507 A	9/1989	Sahm
D335,317 S	5/1993	Shearer
D335,692 S	5/1993	Antonious
D336,757 S	6/1993	Antonious
D350,582 S	9/1994	Miansian et al.
5,429,366 A	7/1995	McCabe
D363,101 S	10/1995	Sturm
D365,864 S	1/1996	Sturm



7,204,765	B2	4/2007	Cover et al.	
D542,869	S	5/2007	Adams	
D543,598	S	5/2007	Kuan et al.	
D543,601	S	5/2007	Kawami	
D555,219	S	11/2007	Lin	
D556,277	S	11/2007	Broom	
D561,854	S	2/2008	Morris	
7,331,876	B2	2/2008	Klein	
7,351,162	B2	4/2008	Soracco et al.	
D569,461	S	5/2008	Morris	
D569,930	S	5/2008	Nehrbas	
7,396,289	B2	7/2008	Soracco et al.	
D577,085	S	9/2008	Nicolette et al.	
D577,086	S	9/2008	Nicolette et al.	
D579,506	S	10/2008	Nicolette et al.	
D579,995	S	11/2008	Nicolette et al.	
D582,497	S *	12/2008	Rollinson	D21/744
7,473,189	B2	1/2009	Schweigert et al.	
7,491,131	B2	2/2009	Vinton	
D589,575	S *	3/2009	Kim	D21/744
D591,807	S *	5/2009	Rollinson	D21/744
D595,793	S	7/2009	Rollinson	
D599,425	S	9/2009	Laub	
D600,763	S	9/2009	Cameron	
7,744,485	B2	6/2010	Jones et al.	
D620,993	S	8/2010	Laub	
D621,461	S	8/2010	Serrano	
D623,709	S	9/2010	Serrano et al.	
D631,925	S	2/2011	Broom	
7,887,432	B2	2/2011	Jones et al.	
7,909,707	B2	3/2011	Kein	
7,918,745	B2	4/2011	Morris et al.	
D636,891	S	5/2011	Nicolette et al.	
D642,643	S	8/2011	Nicolette et al.	
D643,485	S *	8/2011	Nicolette	D21/736
D645,104	S	9/2011	Nicolette et al.	
8,096,039	B2	1/2012	Soracco et al.	
D653,718	S	2/2012	Stokke et al.	
D658,245	S *	4/2012	Oldknow	D21/736
D661,753	S	6/2012	Cameron et al.	
D666,260	S	8/2012	Cynn	
8,376,878	B2	2/2013	Bennett et al.	
D688,339	S	8/2013	Hilton et al.	
D688,341	S *	8/2013	Rollinson	D21/746
D691,226	S	10/2013	Hilton et al.	
D699,308	S	2/2014	Rollinson	
D704,782	S	5/2014	Rollinson	
8,721,472	B2	5/2014	Kuan et al.	
8,790,193	B2	7/2014	Serrano et al.	
D711,483	S	8/2014	Wong	
D715,388	S	10/2014	Serrano	
D722,350	S	2/2015	Schweigert	
D722,351	S	2/2015	Parsons	
D722,352	S	2/2015	Nicolette et al.	
D723,120	S	2/2015	Nicolette	
D724,164	S	3/2015	Schweigert et al.	
D725,208	S	3/2015	Schweigert	
D726,265	S	4/2015	Nicolette	
D726,846	S	4/2015	Schweigert	
D728,715	S *	5/2015	Cameron	D21/736
D730,462	S	5/2015	Becktor	
D730,464	S *	5/2015	Cameron	D21/743
D731,605	S *	6/2015	Rollinson	D21/736
D732,122	S	6/2015	Becktor	
D732,618	S	6/2015	Becktor	
D733,234	S	6/2015	Nicolette	
D738,447	S	9/2015	Schweigert	
D738,449	S	9/2015	Schweigert	
D739,487	S	9/2015	Schweigert	
D741,426	S	10/2015	Schweigert	
D748,213	S	1/2016	Parsons et al.	
D748,215	S	1/2016	Parsons et al.	
9,233,263	B2	1/2016	Schweigert	
D753,252	S	4/2016	Schweigert	
D763,374	S *	8/2016	Cardani	D21/736
9,440,124	B2	9/2016	Parsons et al.	
D768,248	S *	10/2016	Rollinson	D21/744
D773,573	S *	12/2016	Abbott	D21/744
D776,771	S *	1/2017	Peterson	D21/744

D783,745	S *	4/2017	Chen	D21/743
D807,453	S *	1/2018	Serrano	D21/743
D812,164	S *	3/2018	Parsons	D21/742
D815,222	S *	4/2018	Serrano	D21/743
D815,703	S *	4/2018	Schweigert	D21/736
D820,924	S *	6/2018	Cameron	D21/736
D820,925	S *	6/2018	Cameron	D21/736
2007/0142122	A1	6/2007	Bonneau	
2007/0207875	A1	9/2007	Kuan et al.	
2007/0238548	A1	10/2007	Johnson	
2008/0139333	A1	6/2008	Klein	
2008/0146372	A1	6/2008	John	
2008/0176672	A1	7/2008	Roach et al.	
2011/0165959	A1	7/2011	Klein	
2013/0165256	A1	6/2013	Stevenson	
2013/0210537	A1	8/2013	Ainscough et al.	

FOREIGN PATENT DOCUMENTS

JP 2005/160691 A 6/2005

OTHER PUBLICATIONS

U.S. Appl. No. 29/523,587, Schweigert, "Golf Club Head," filed Apr. 10, 2015.
TomSpecGolf (Gold's Factory Multi Weighted Custom Putter) [online]. Nov. 20, 2010. [retrieved Apr. 21, 2016] Retrieved from the internet: <URL: <http://www.toursspecgolf.com/blog/golds-factory-multi-weighted-custom-putter/>>.

* cited by examiner

Primary Examiner — Mitchell I. Siegel

(57) CLAIM

The ornamental design for a golf club head, as shown and described.

DESCRIPTION

FIG. 1 is a top perspective view of a golf club head;
FIG. 2 is a bottom perspective view of the golf club head of FIG. 1;
FIG. 3 is a front elevational view of the golf club head of FIG. 1;
FIG. 4 is a rear elevational view of the golf club head of FIG. 1;
FIG. 5 is a top view of the golf club head of FIG. 1;
FIG. 6 is a bottom view of the golf club head of FIG. 1;
FIG. 7 is a left side view of the golf club head of FIG. 1;
FIG. 8 is a right side view of the golf club head of FIG. 1;
FIG. 9 is a top perspective view of a second embodiment of a golf club head;
FIG. 10 is a bottom perspective view of the golf club head of FIG. 9;
FIG. 11 is a front elevational view of the golf club head of FIG. 9;
FIG. 12 is a rear elevational view of the golf club head of FIG. 9;
FIG. 13 is a top view of the golf club head of FIG. 9;
FIG. 14 is a bottom view of the golf club head of FIG. 9;
FIG. 15 is a left side view of the golf club head of FIG. 9;
FIG. 16 is a right side view of the golf club head of FIG. 9;
FIG. 17 is a top perspective view of a third embodiment of a golf club head;
FIG. 18 is a bottom perspective view of the golf club head of FIG. 17;
FIG. 19 is a front elevational view of the golf club head of FIG. 17;

FIG. 20 is a rear elevational view of the golf club head of FIG. 17;

FIG. 21 is a top view of the golf club head of FIG. 17;

FIG. 22 is a bottom view of the golf club head of FIG. 17;

FIG. 23 is a left side view of the golf club head of FIG. 17;

and,

FIG. 24 is a right side view of the golf club head of FIG. 17.

The broken lines are included for the purpose of illustration only. None of the broken lines forms part of the claimed design.

1 Claim, 21 Drawing Sheets

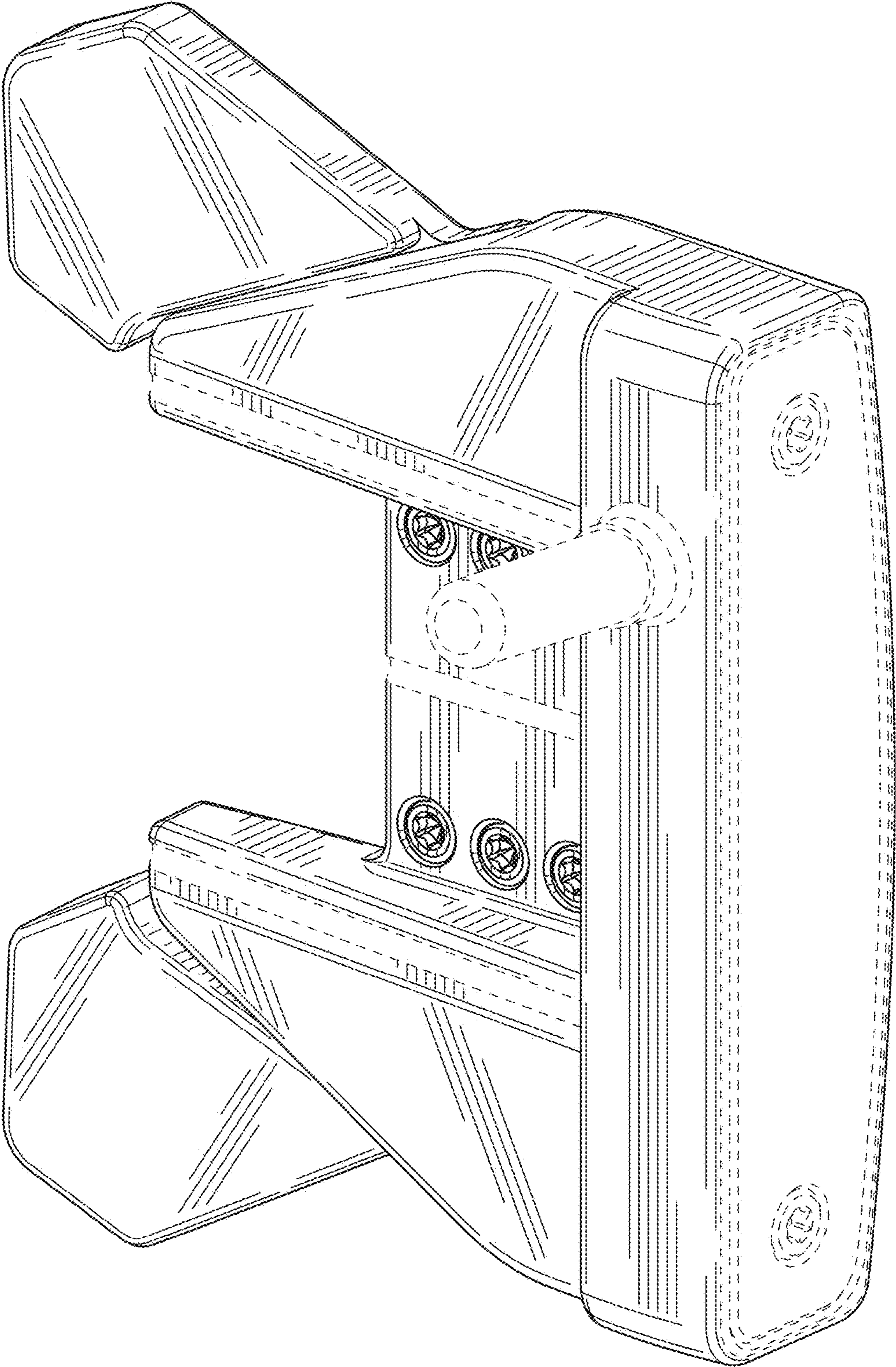


FIG. 1

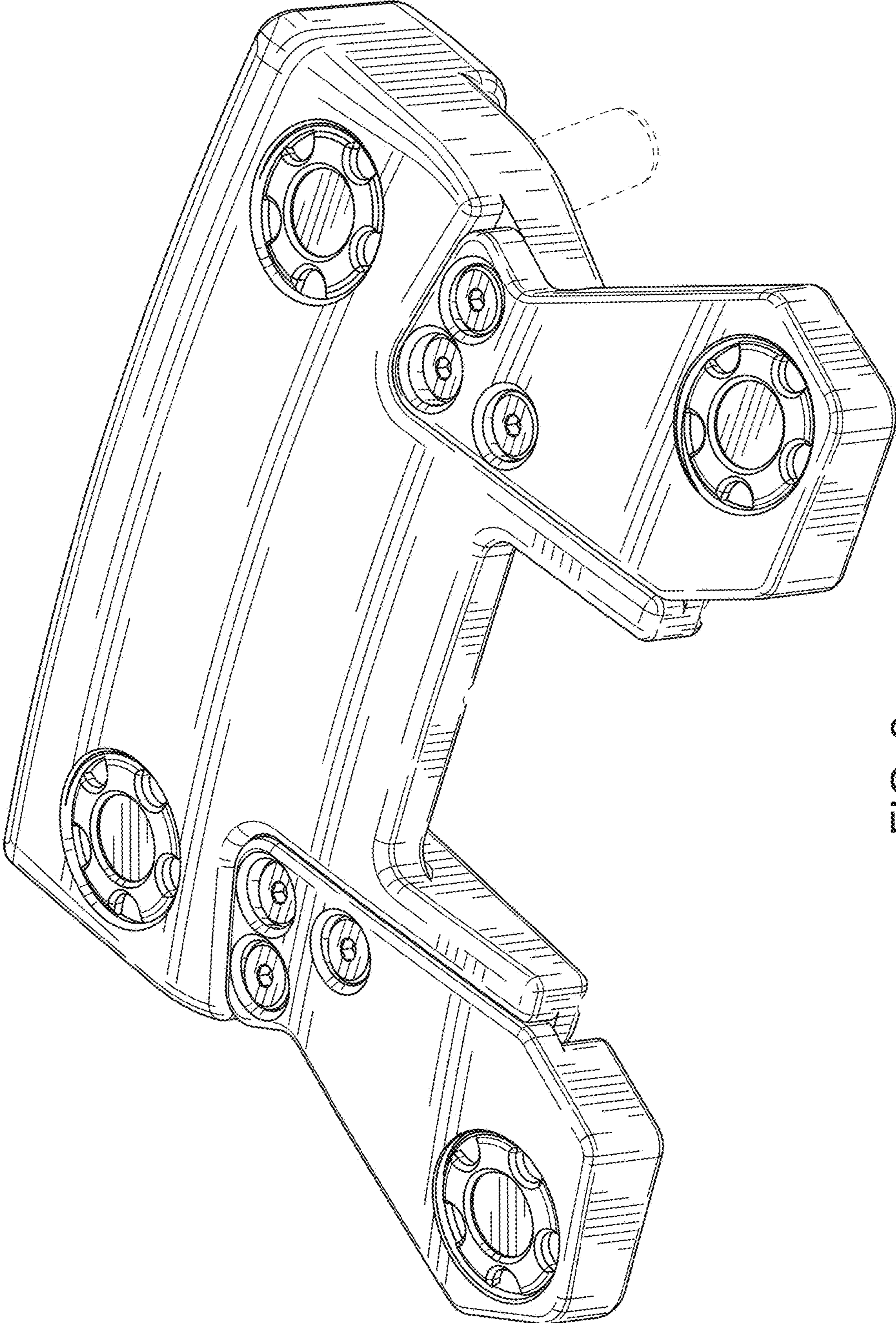


FIG. 2

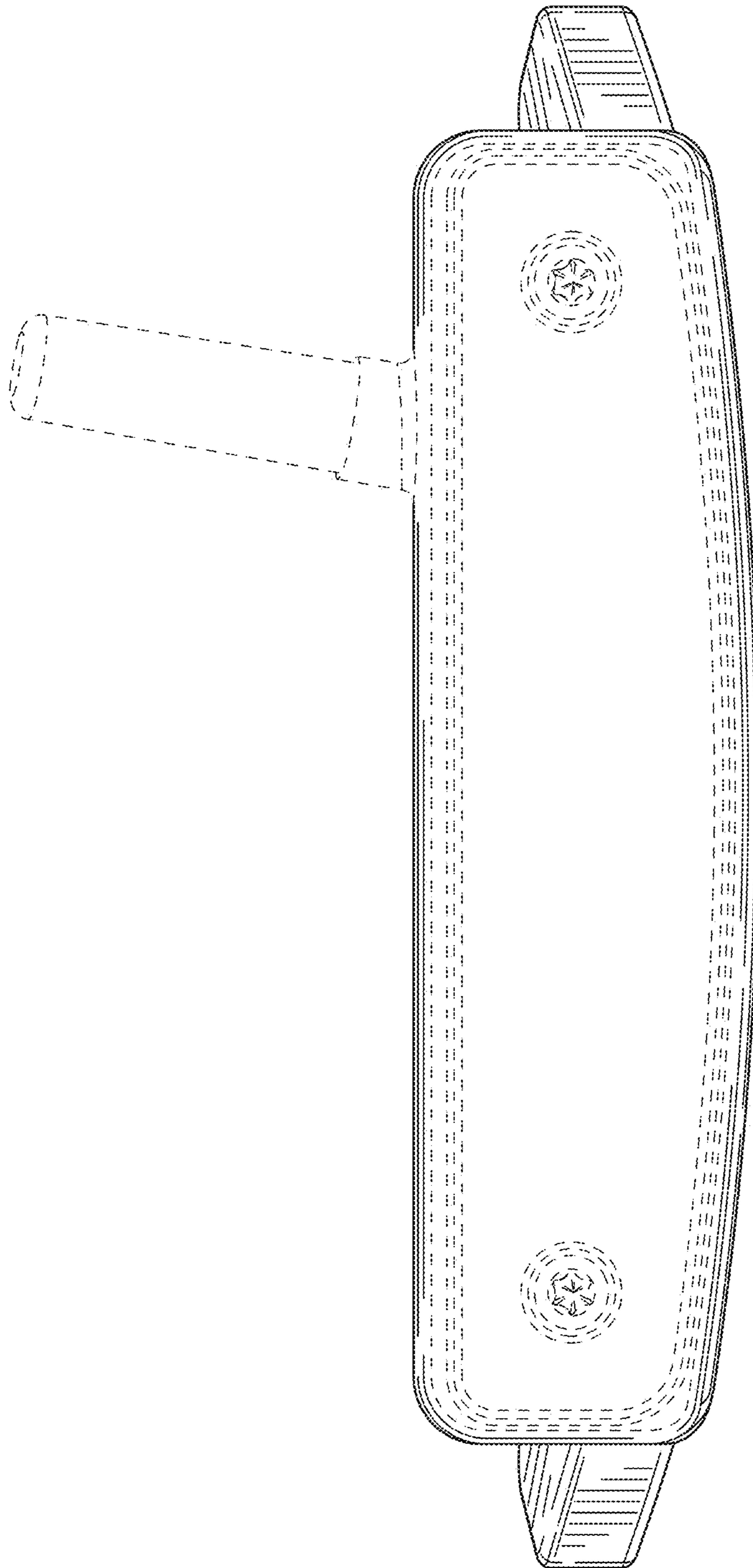


FIG. 3

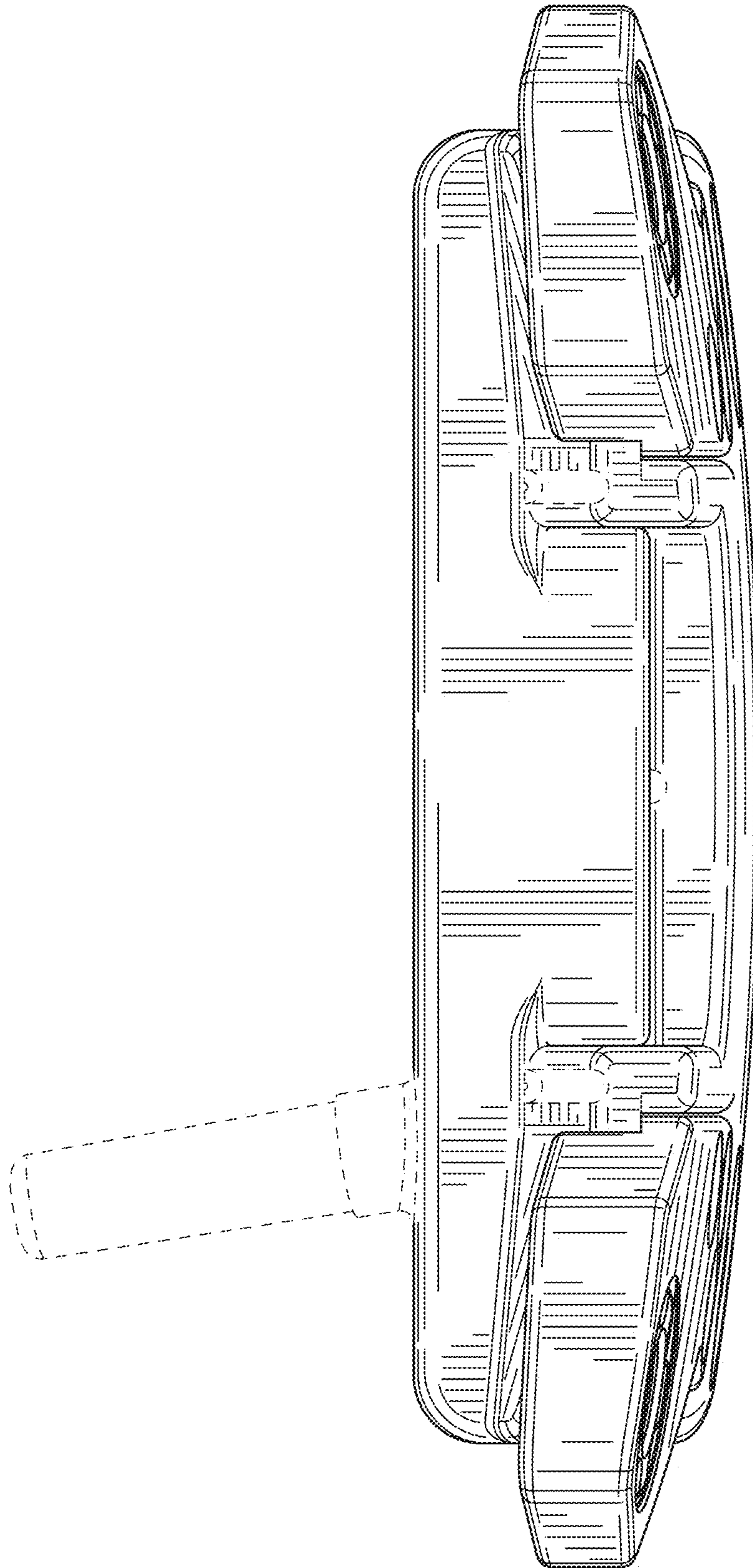


FIG. 4

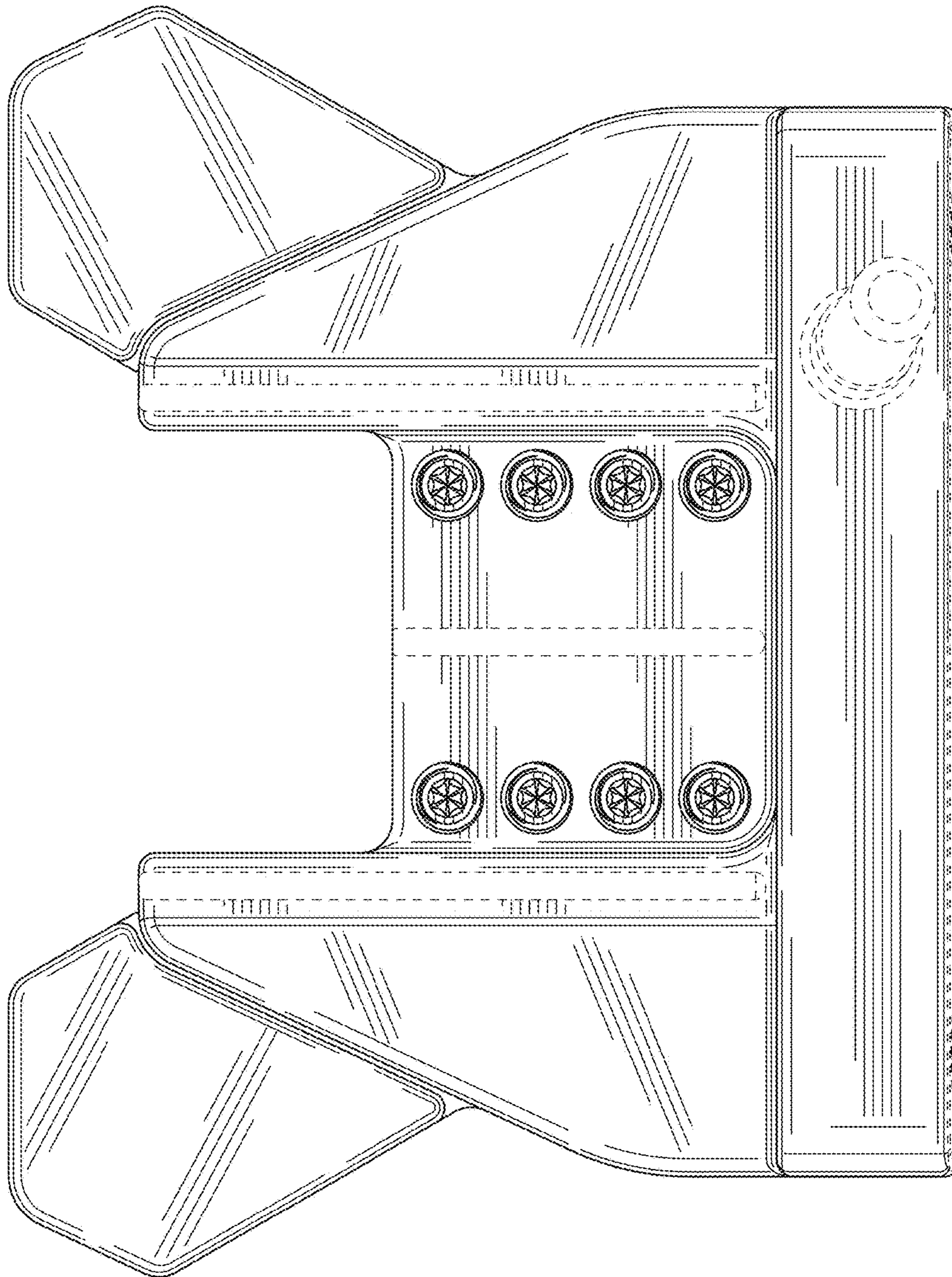


FIG. 5

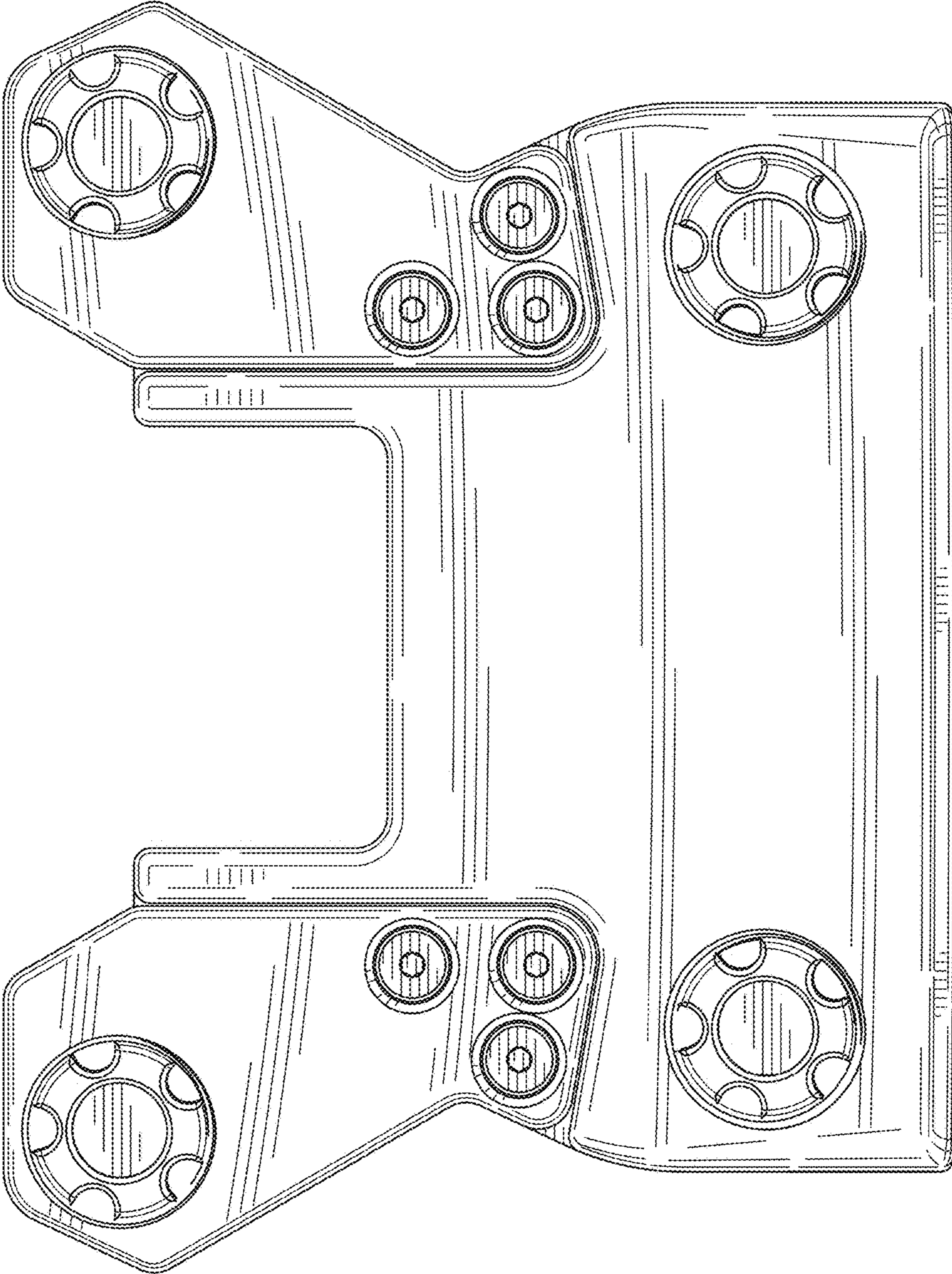


FIG. 6

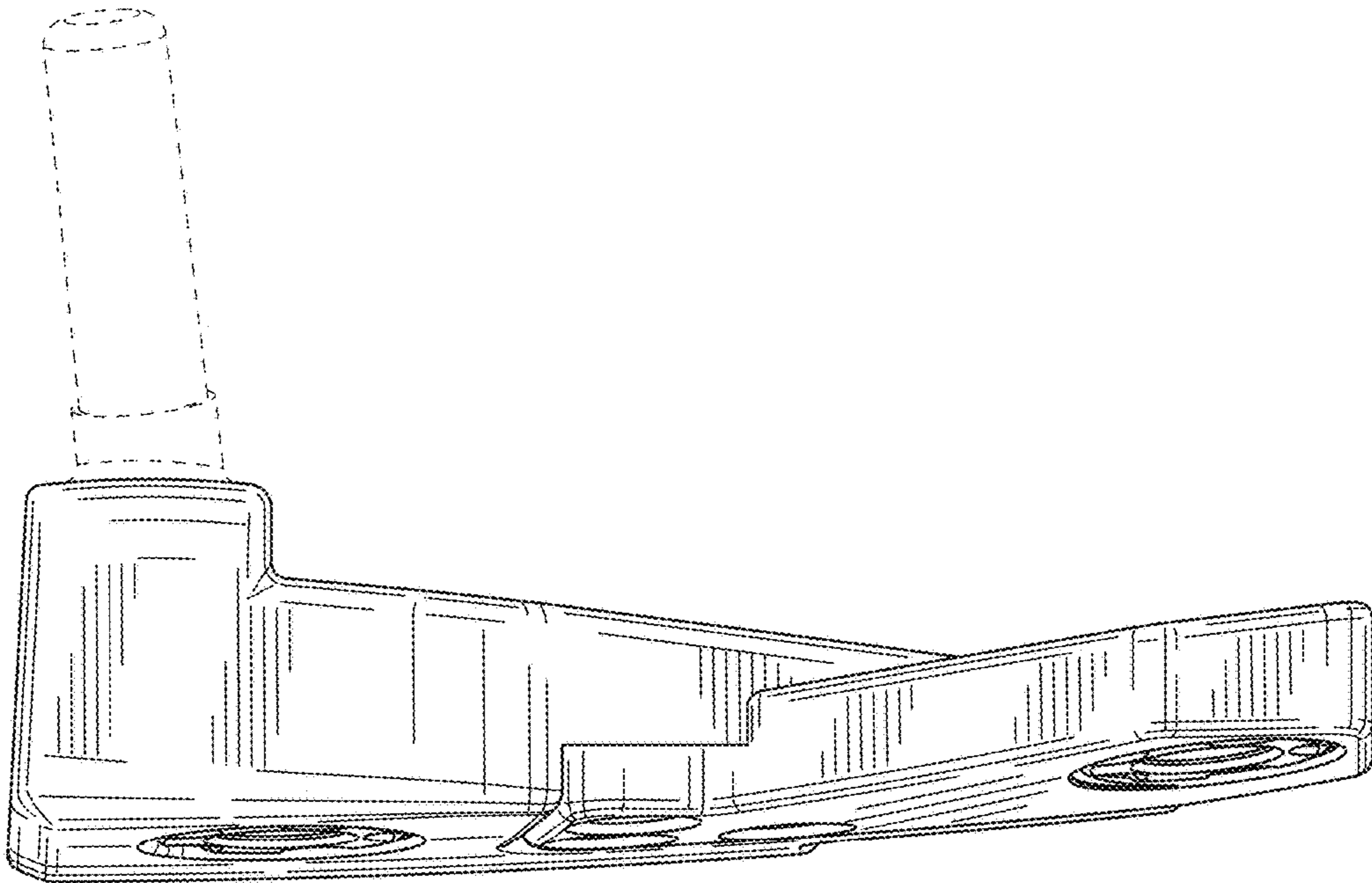


FIG. 7

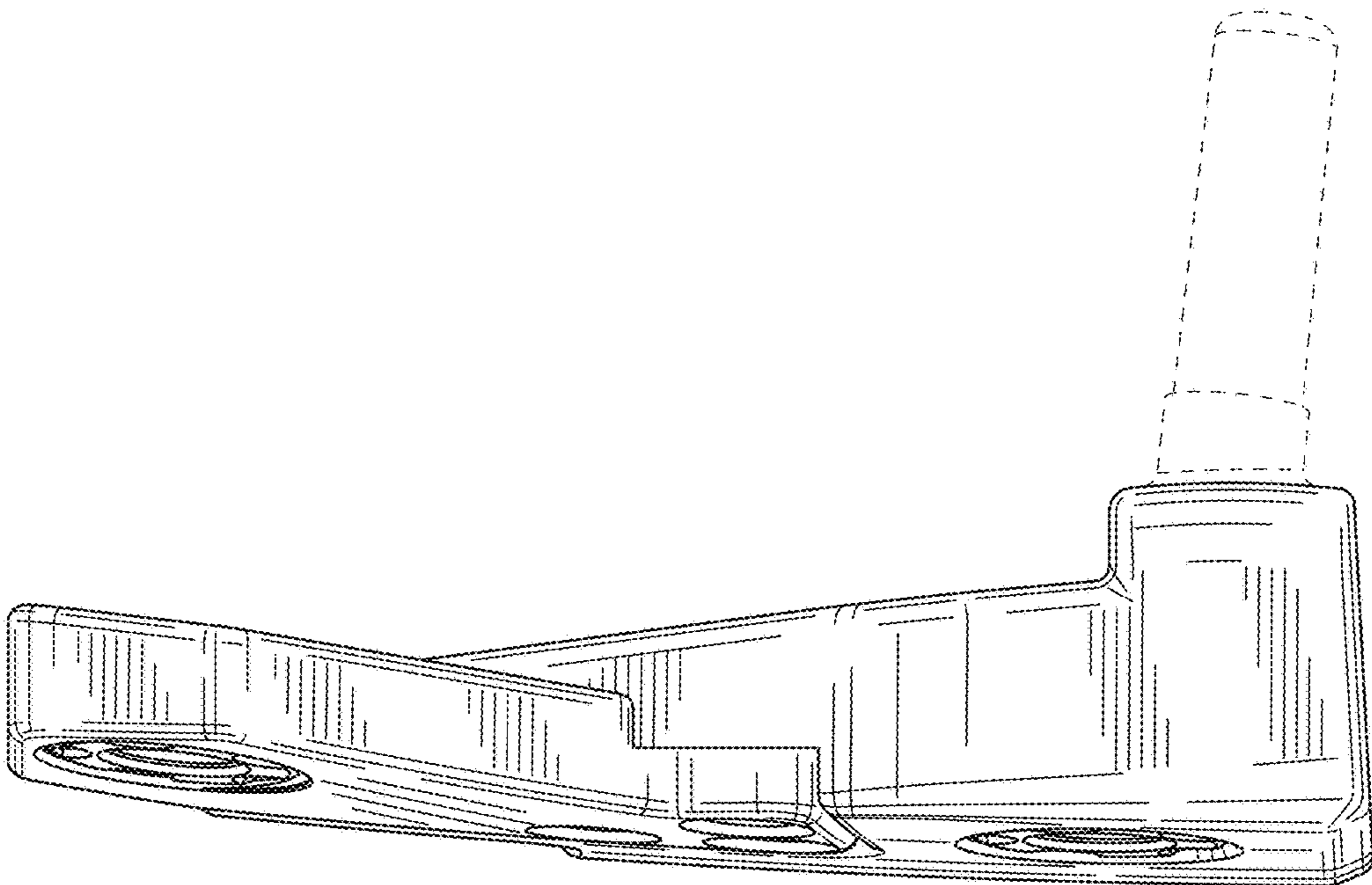


FIG. 8

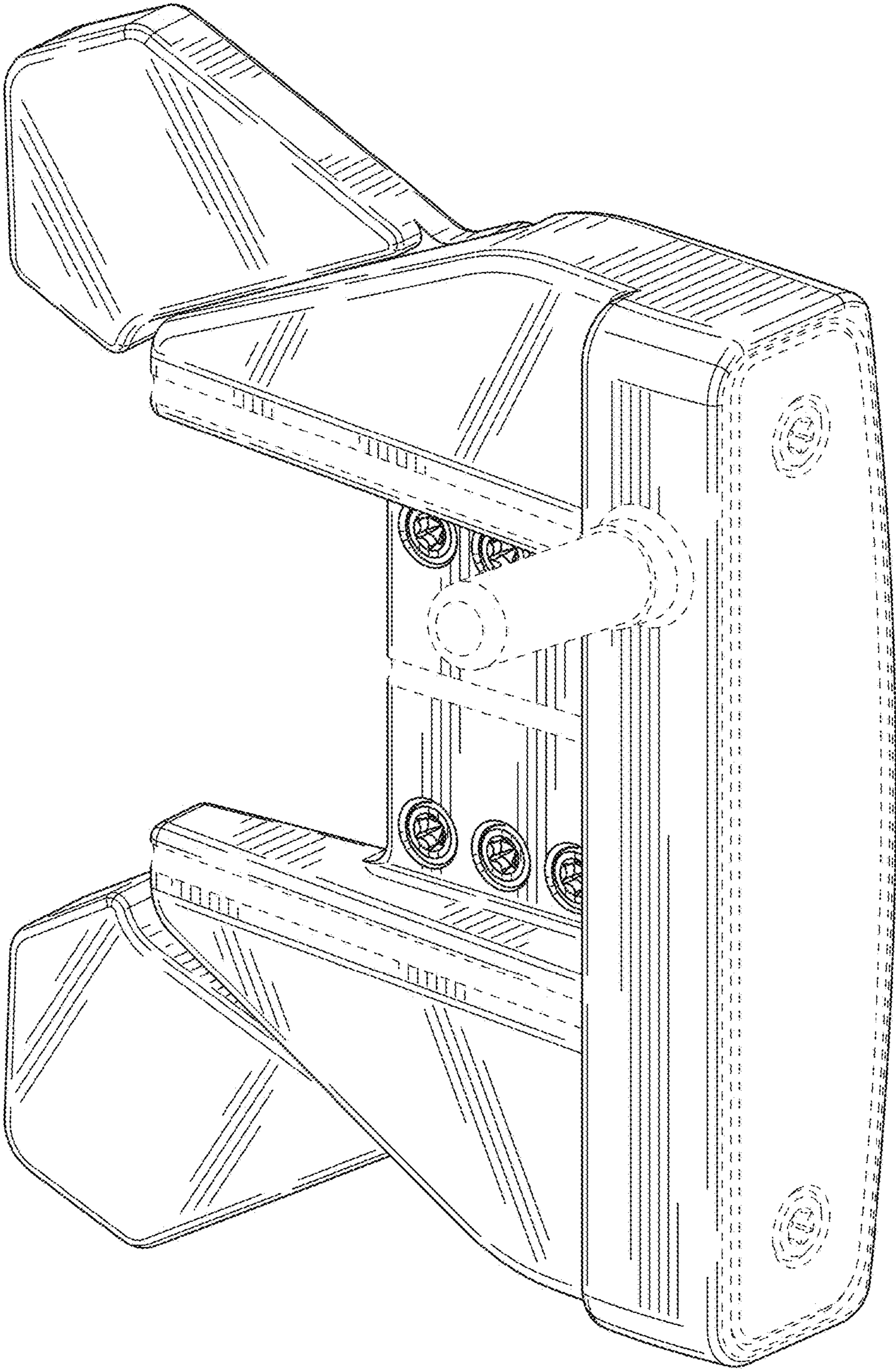


FIG. 9

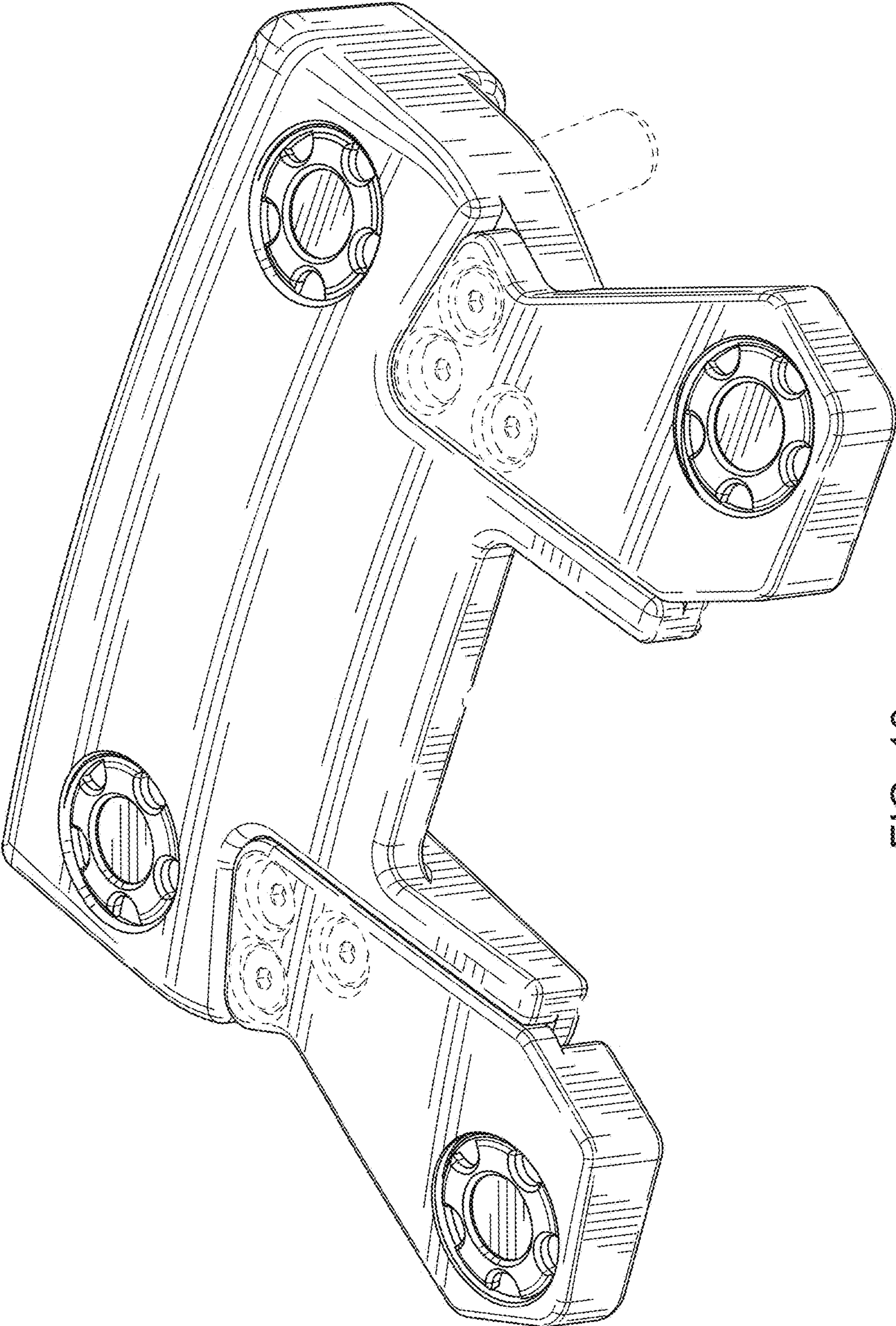


FIG. 10

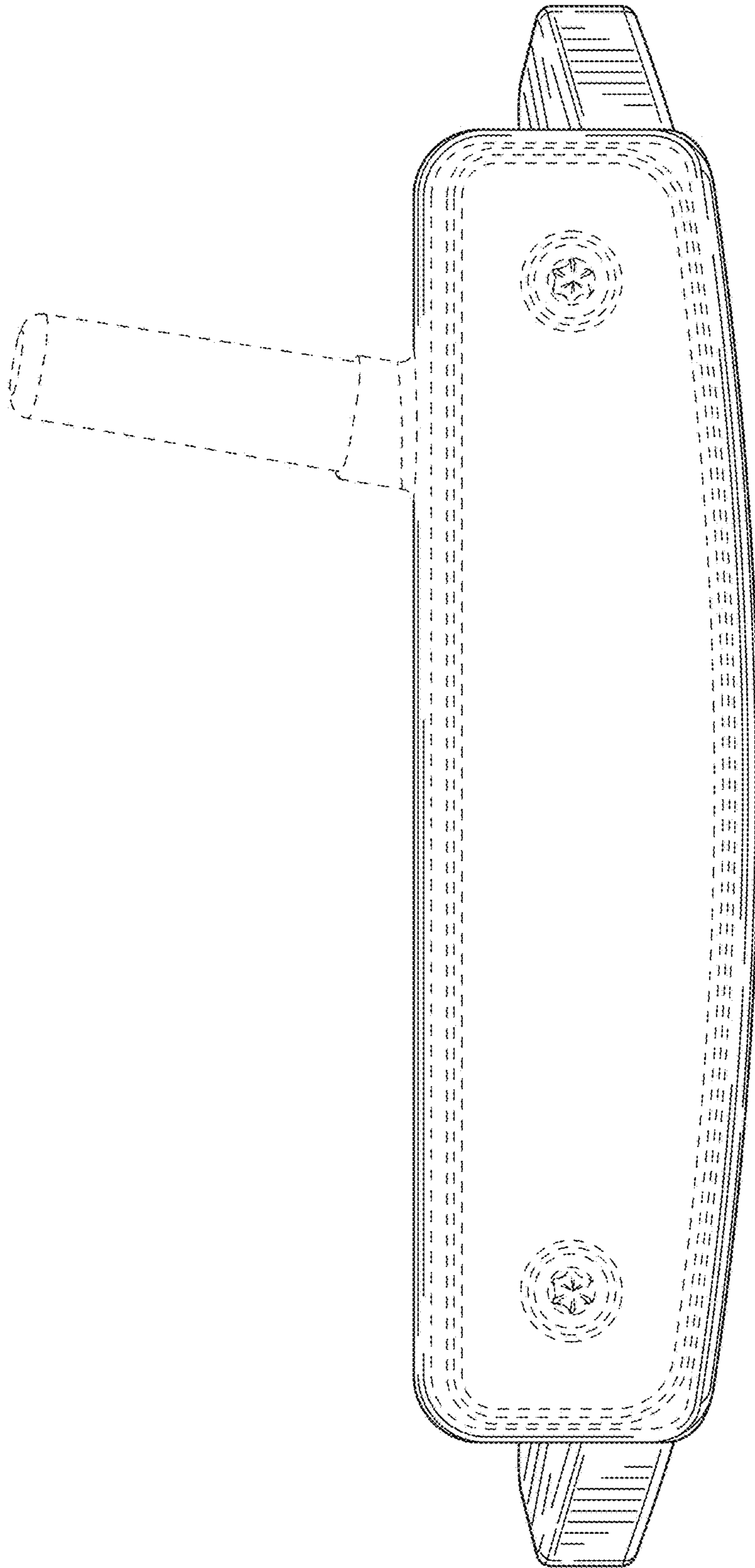


FIG. 11

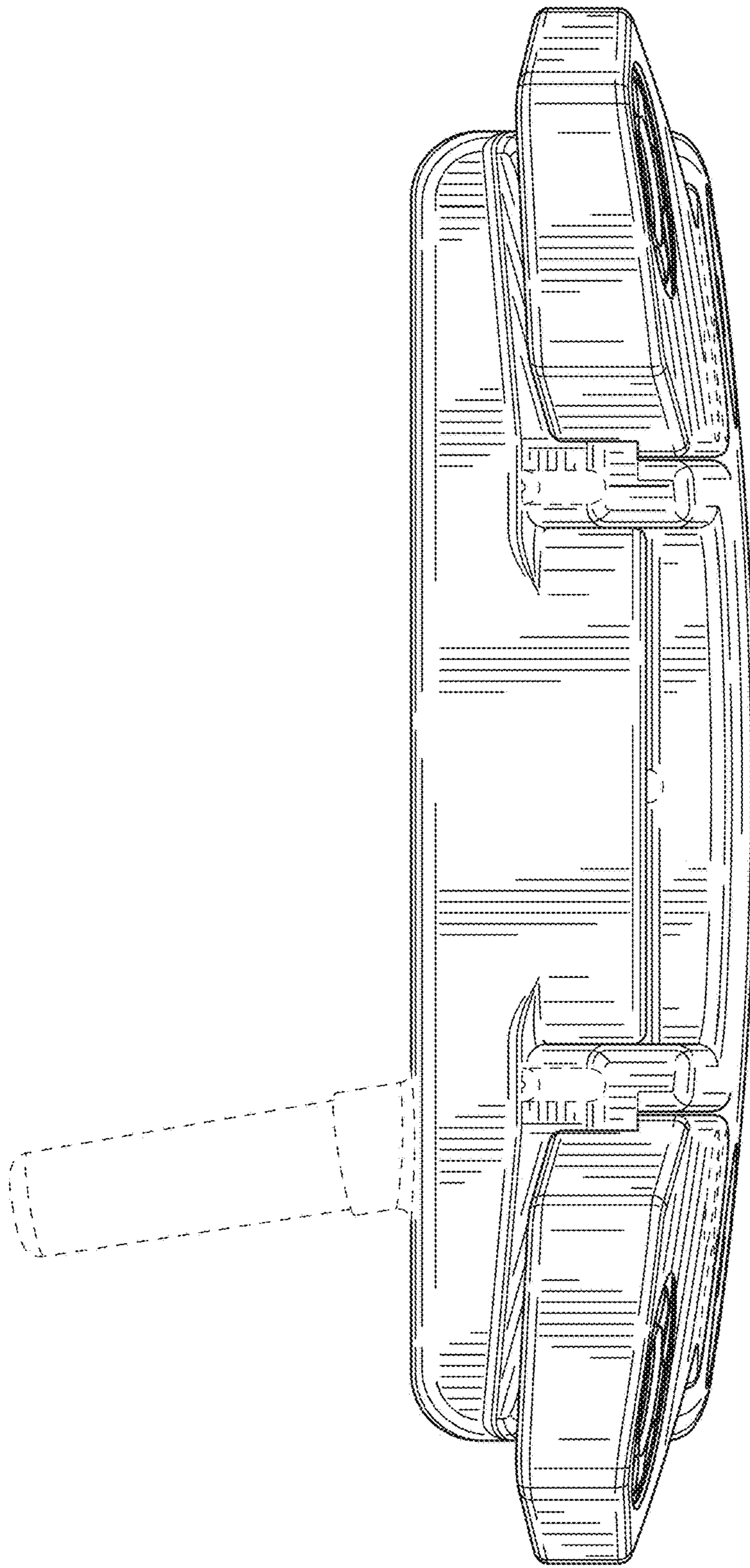


FIG. 12

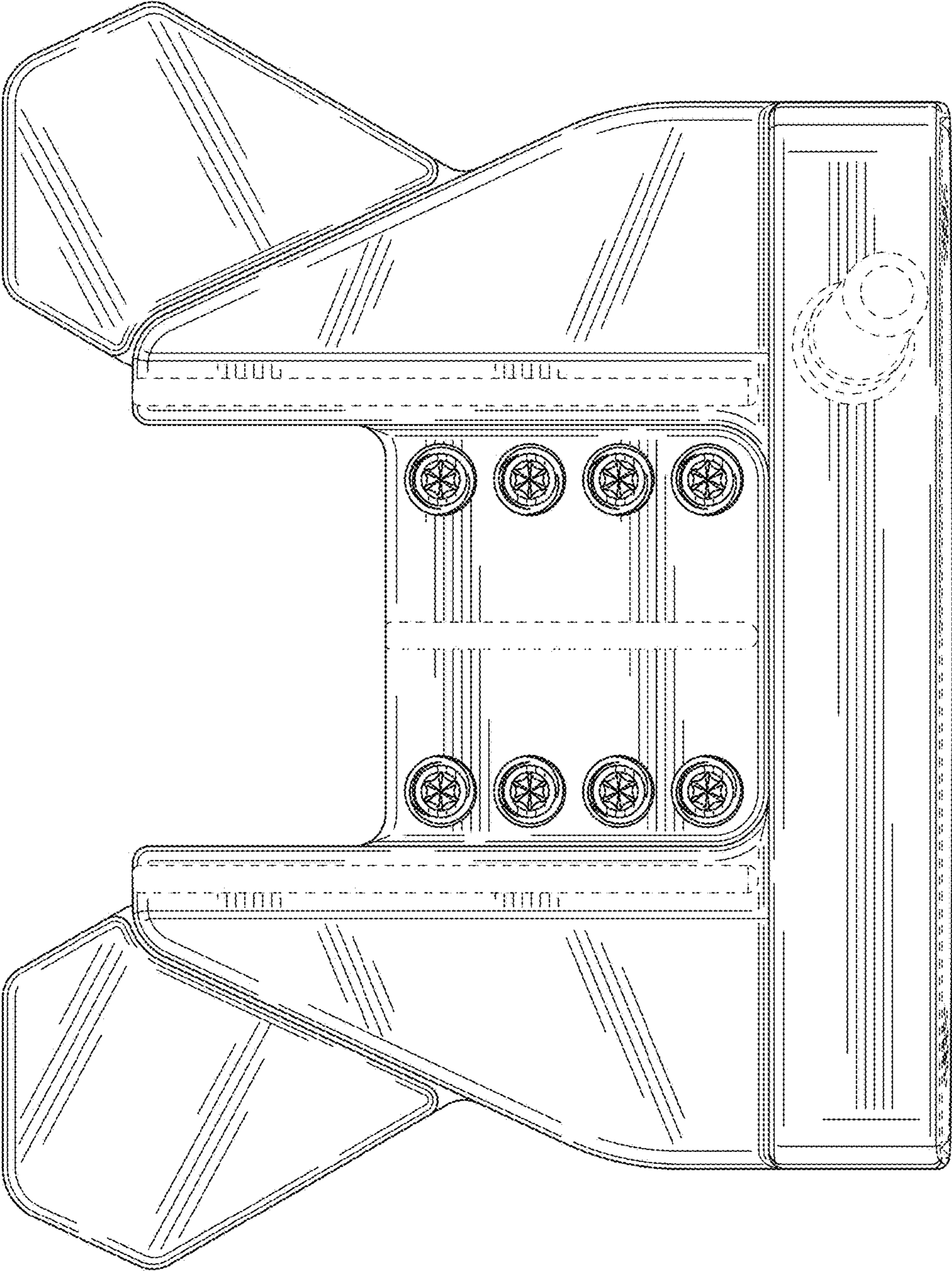


FIG. 13

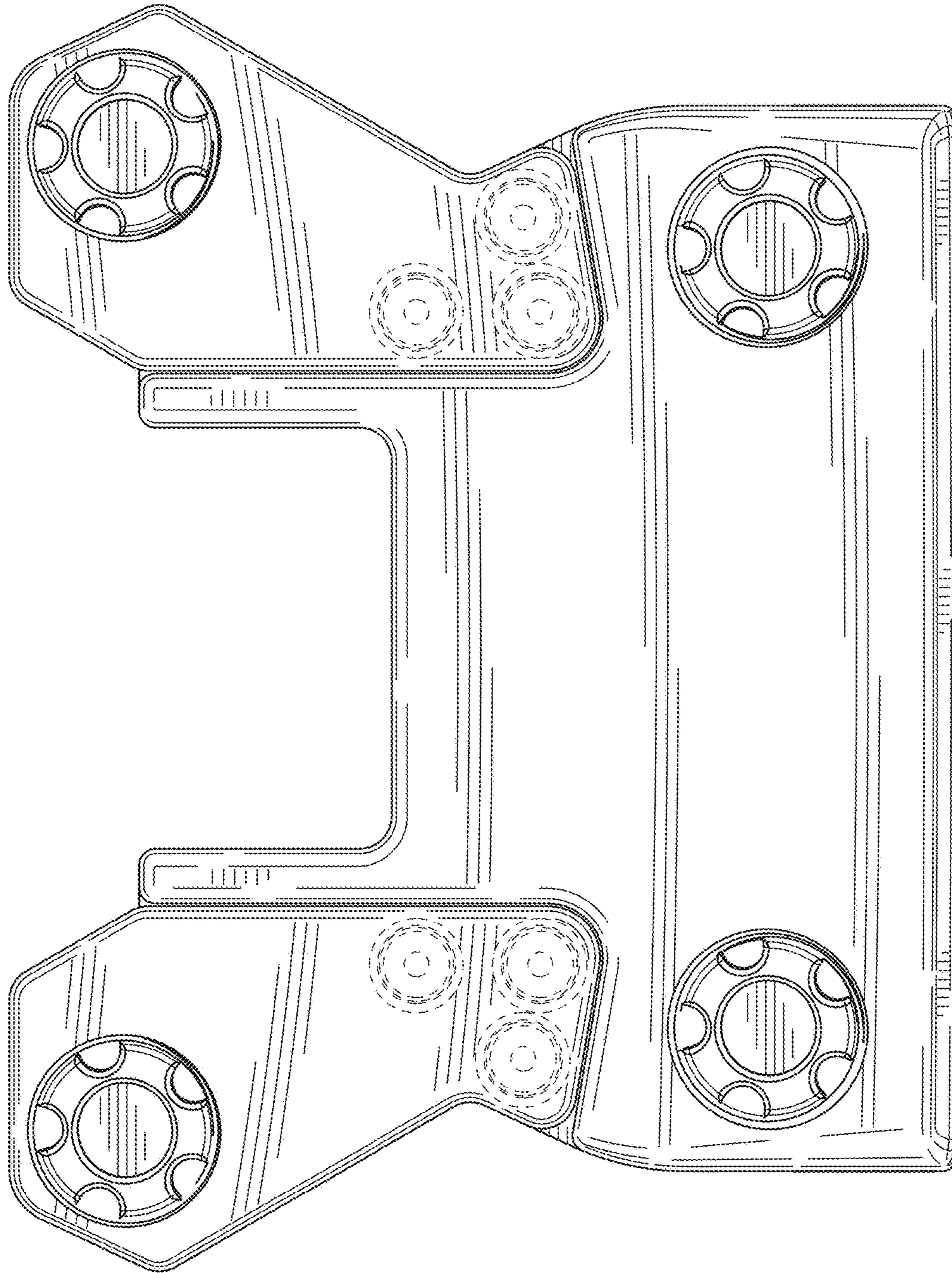


FIG. 14

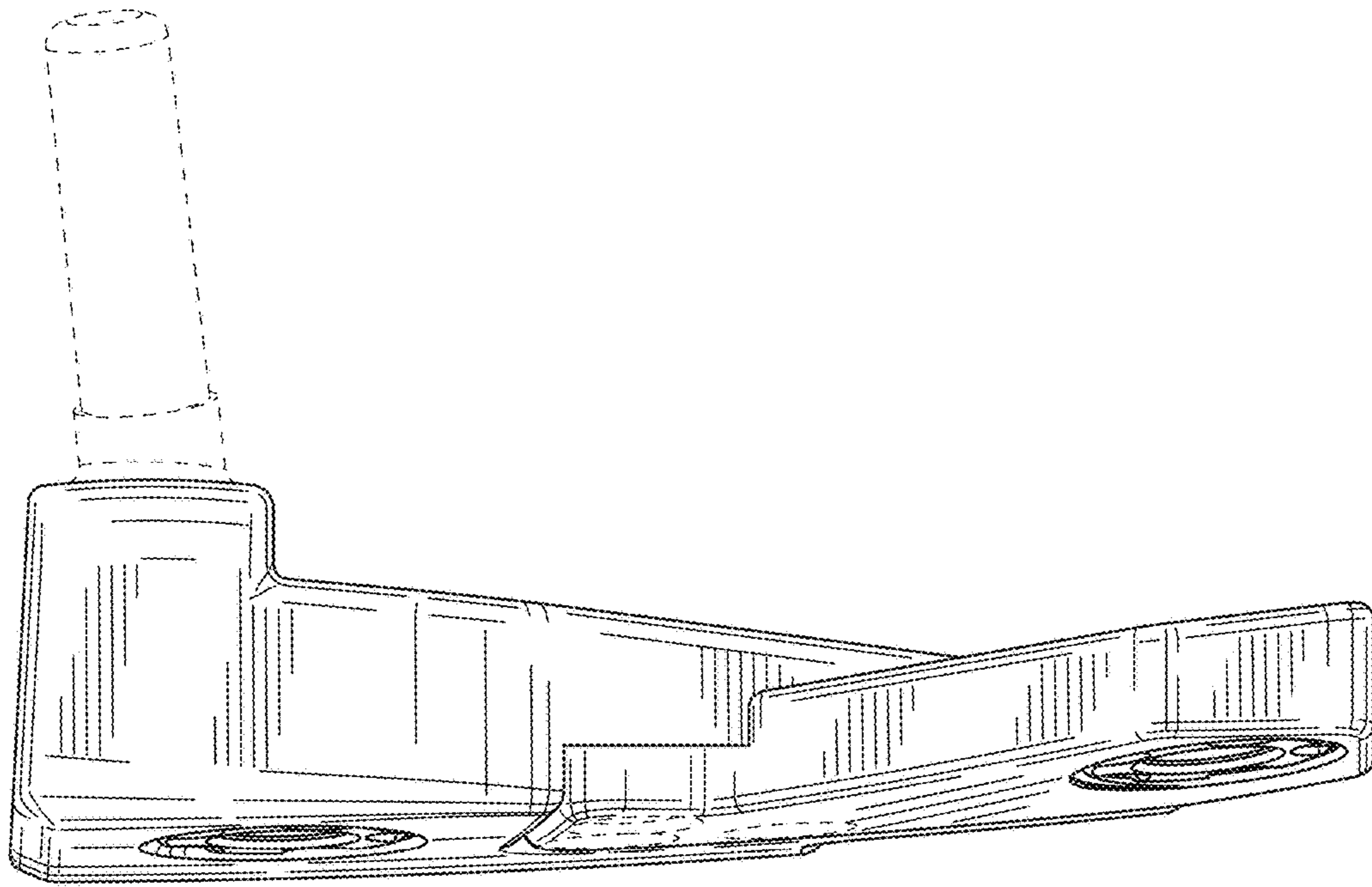


FIG. 15

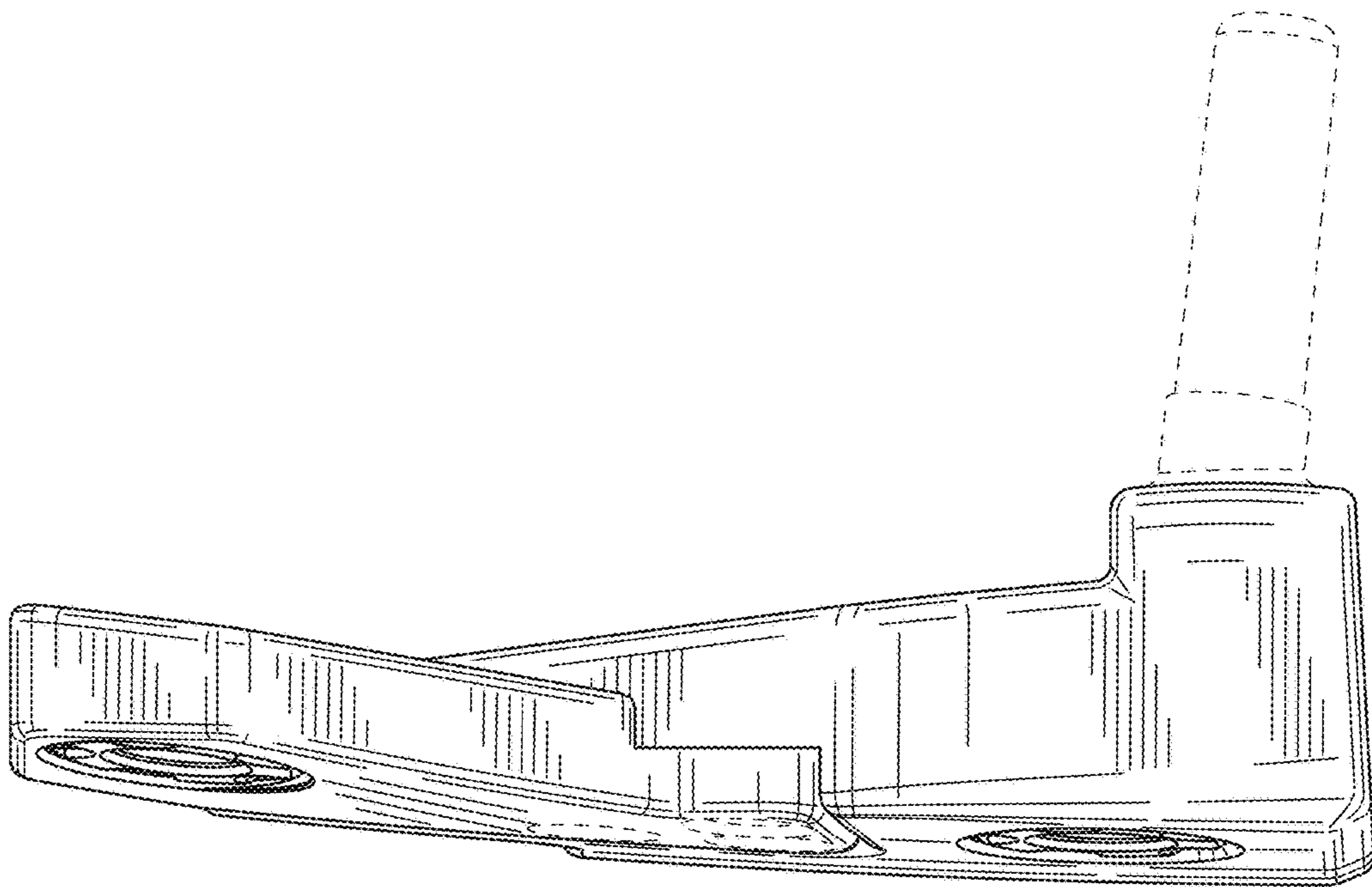


FIG. 16

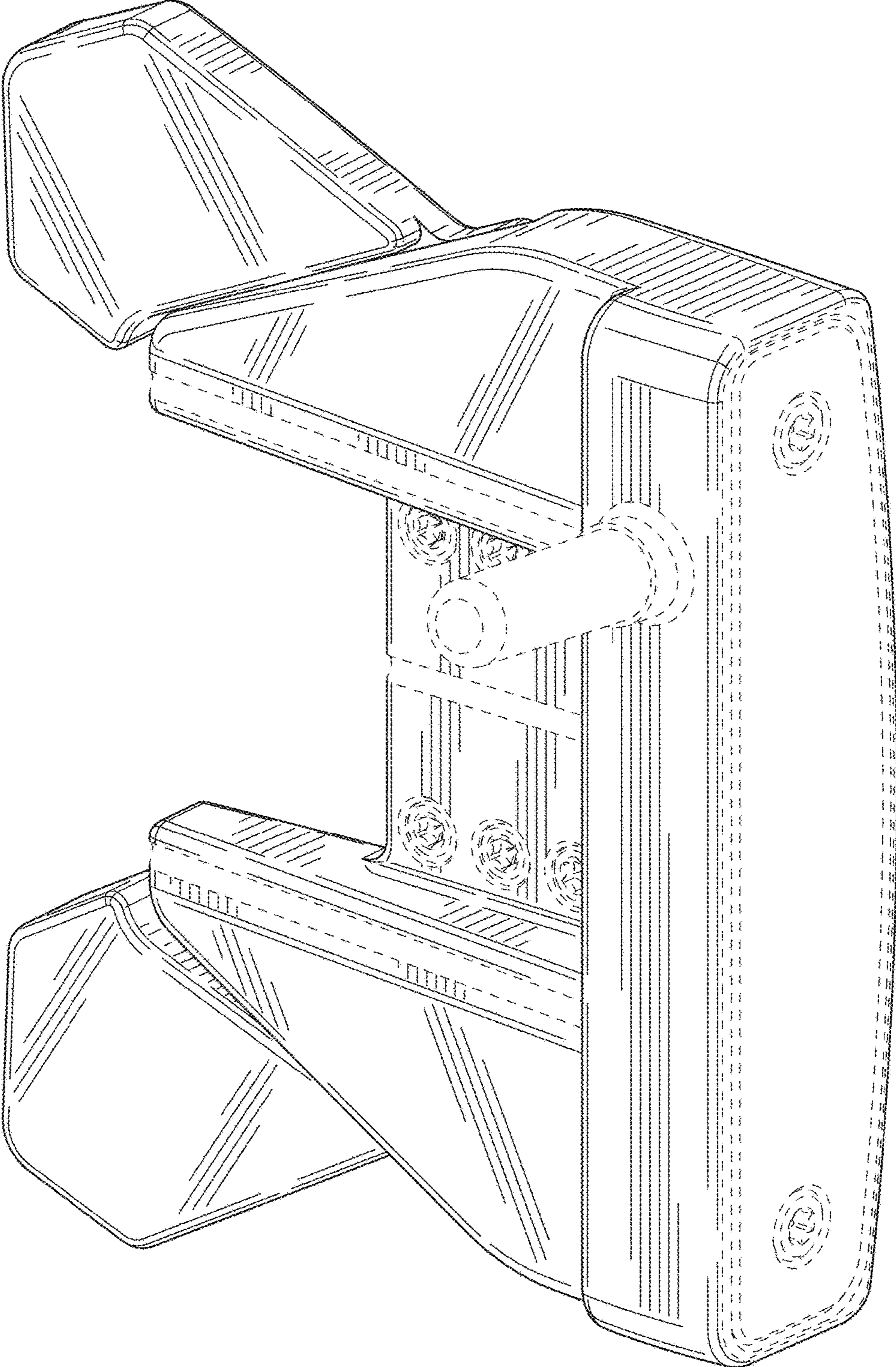


FIG. 17

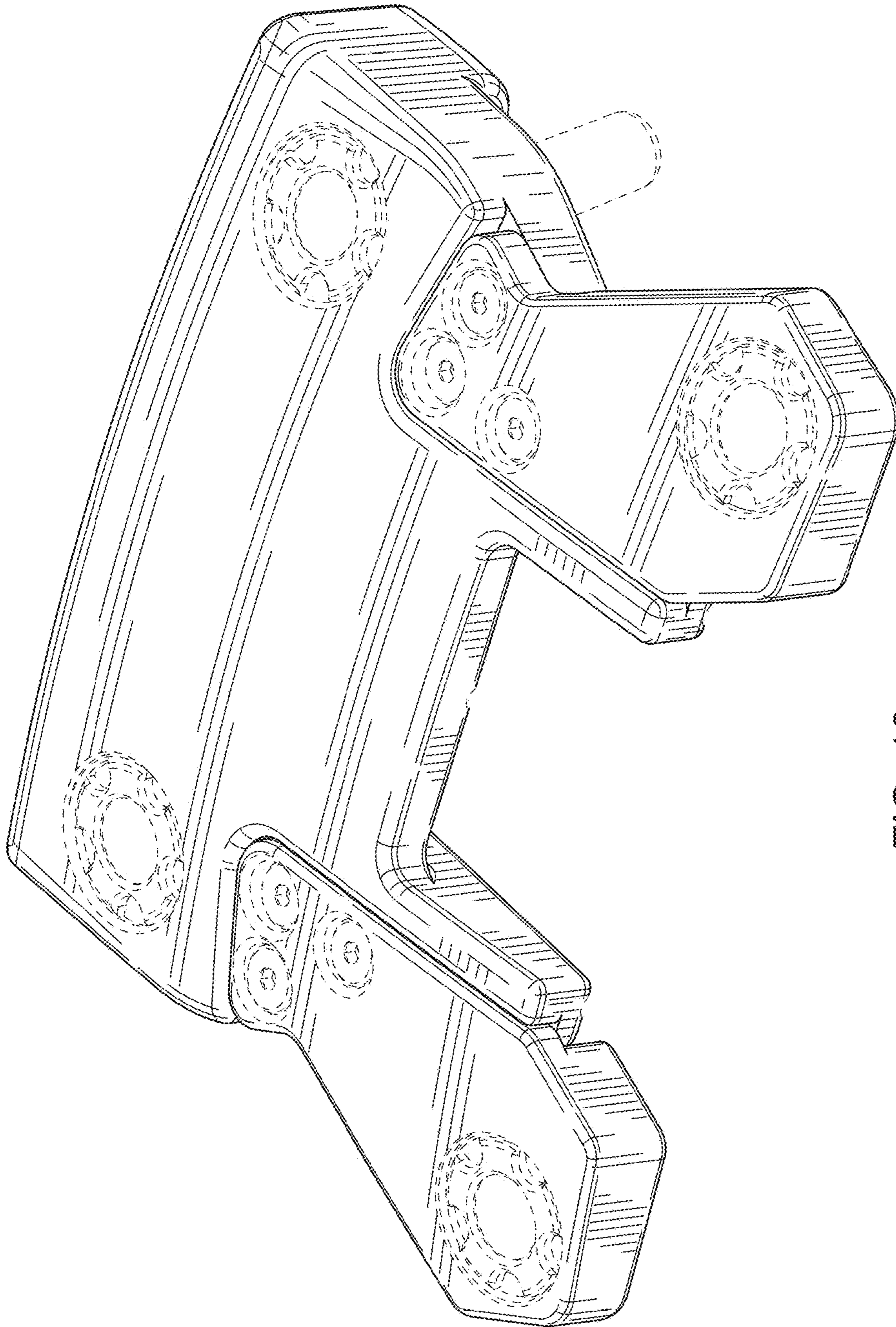


FIG. 18

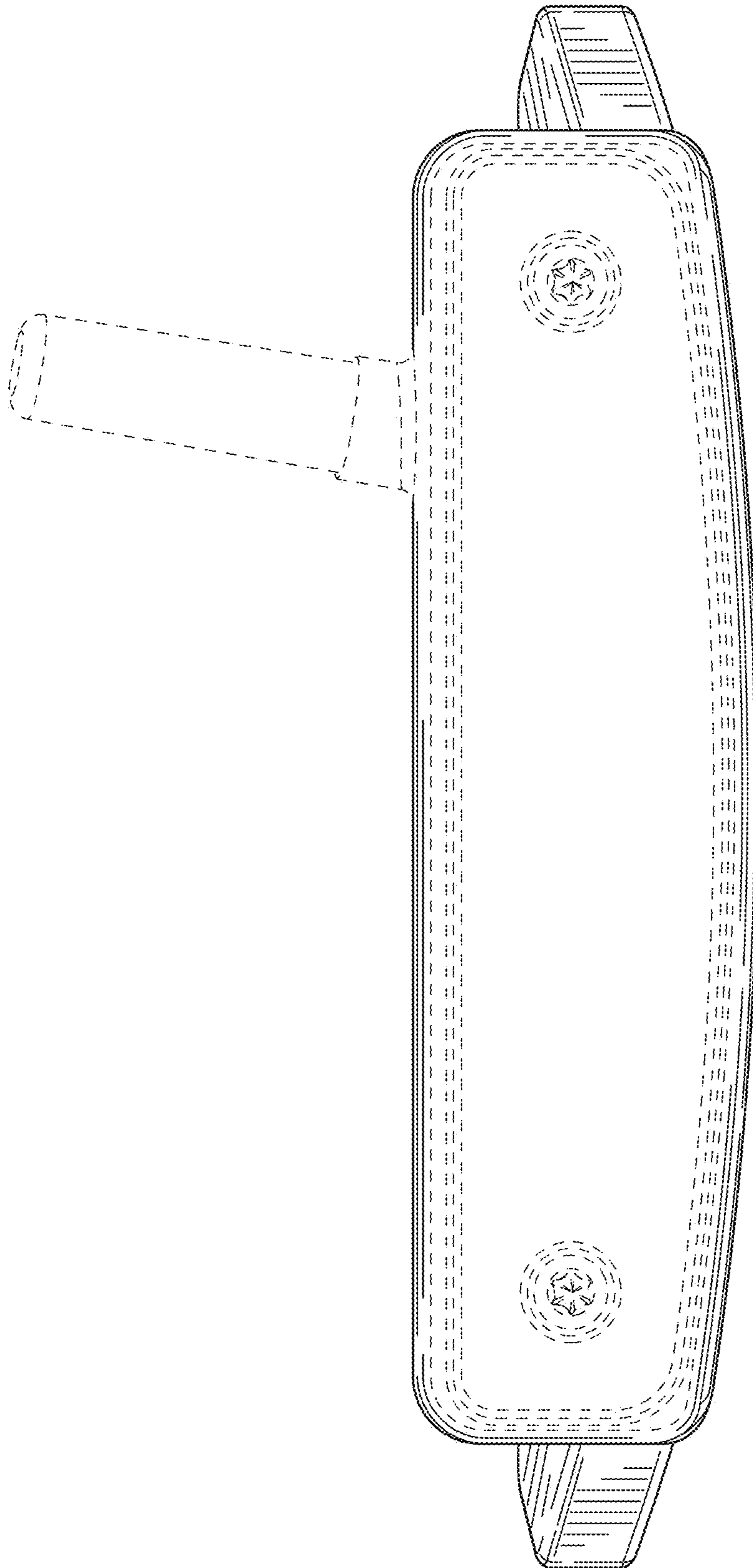


FIG. 19

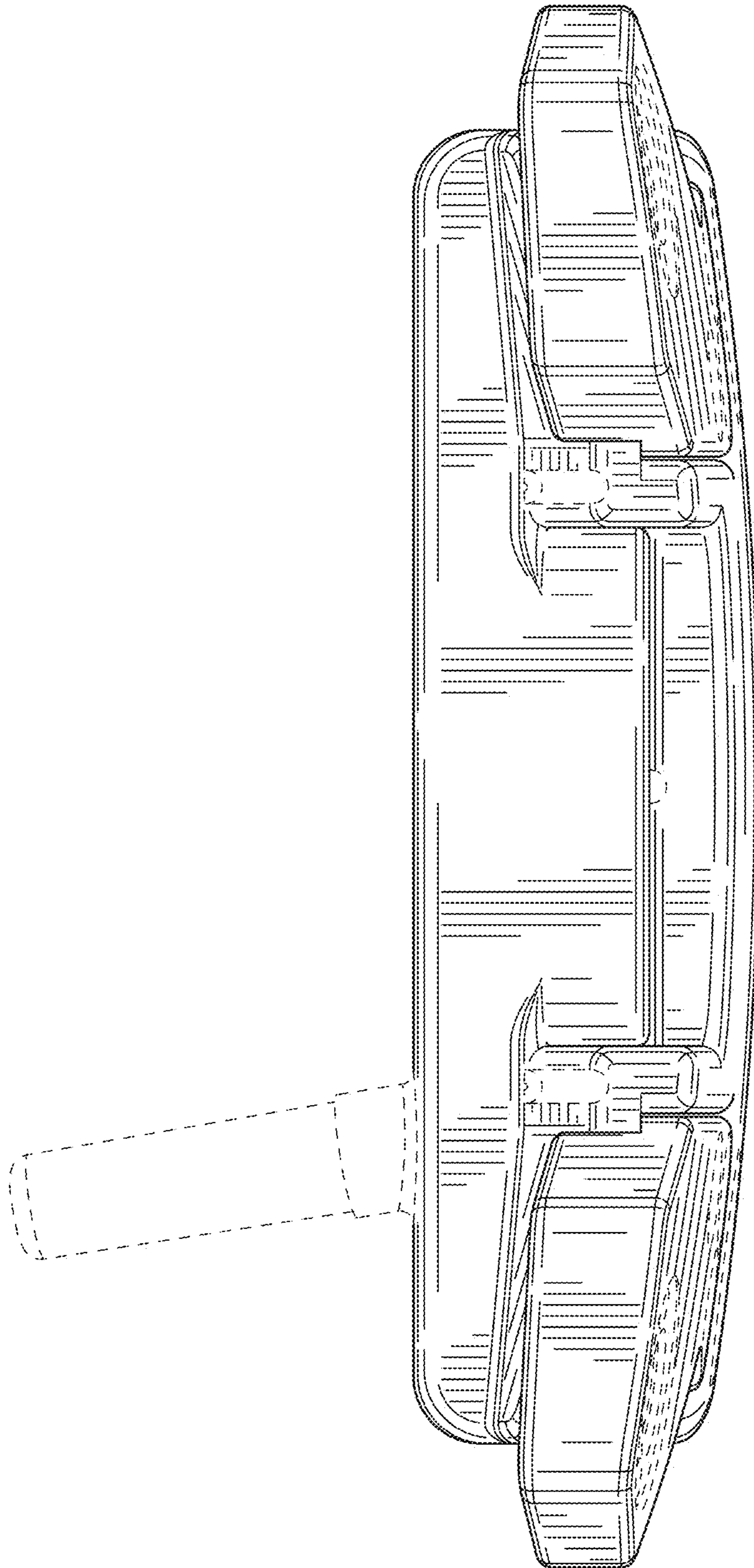


FIG. 20

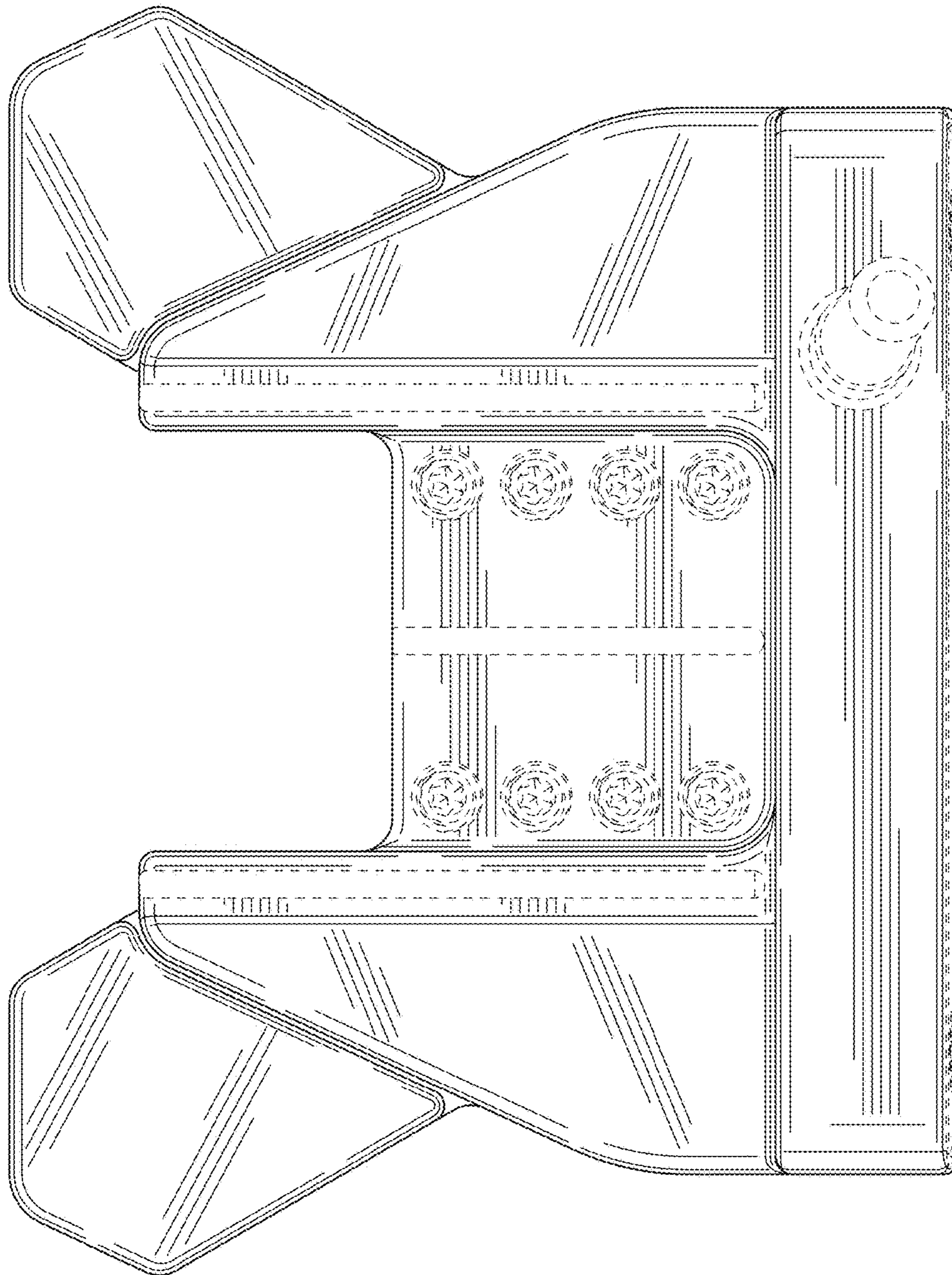


FIG. 21

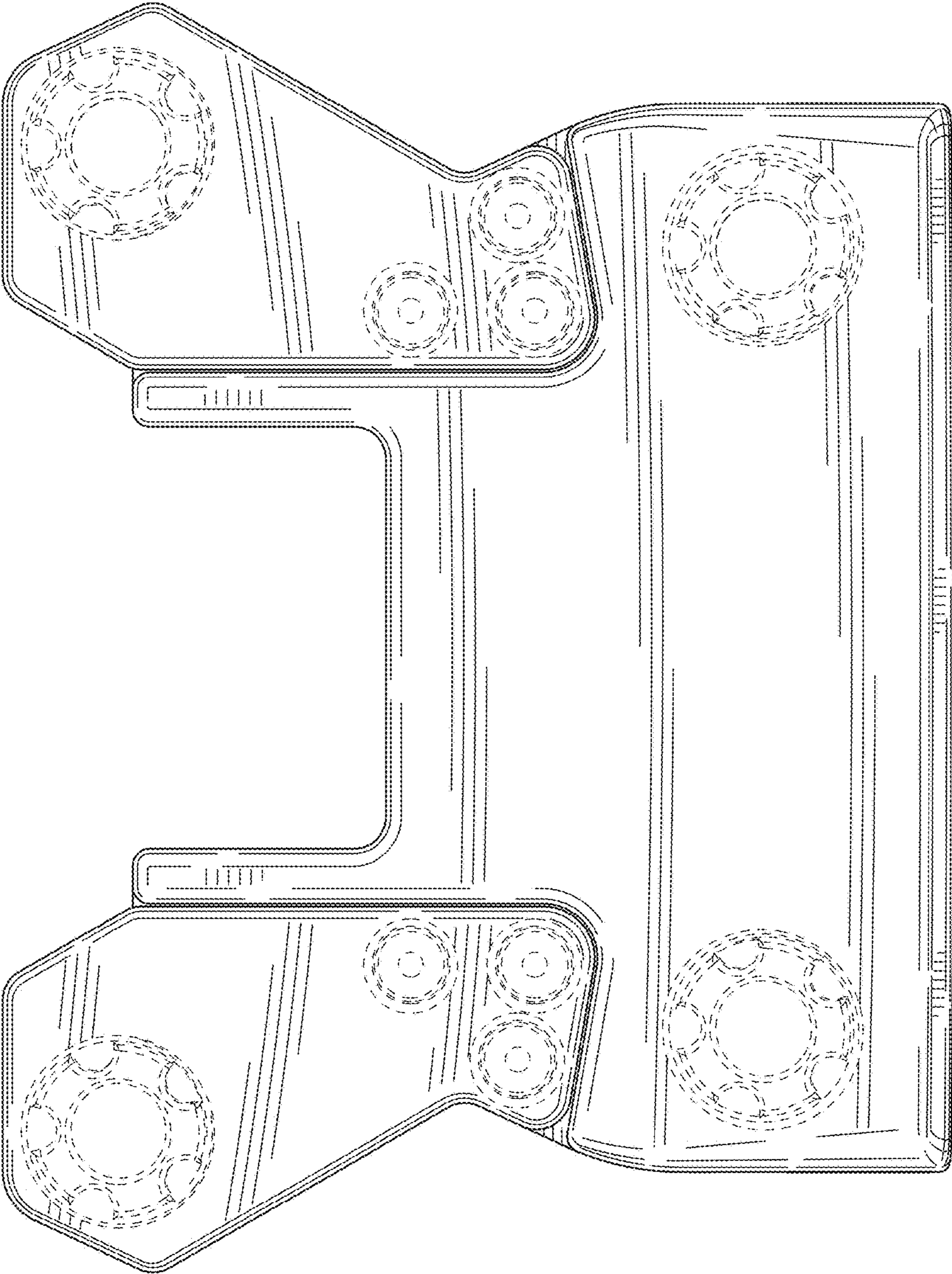


FIG. 22

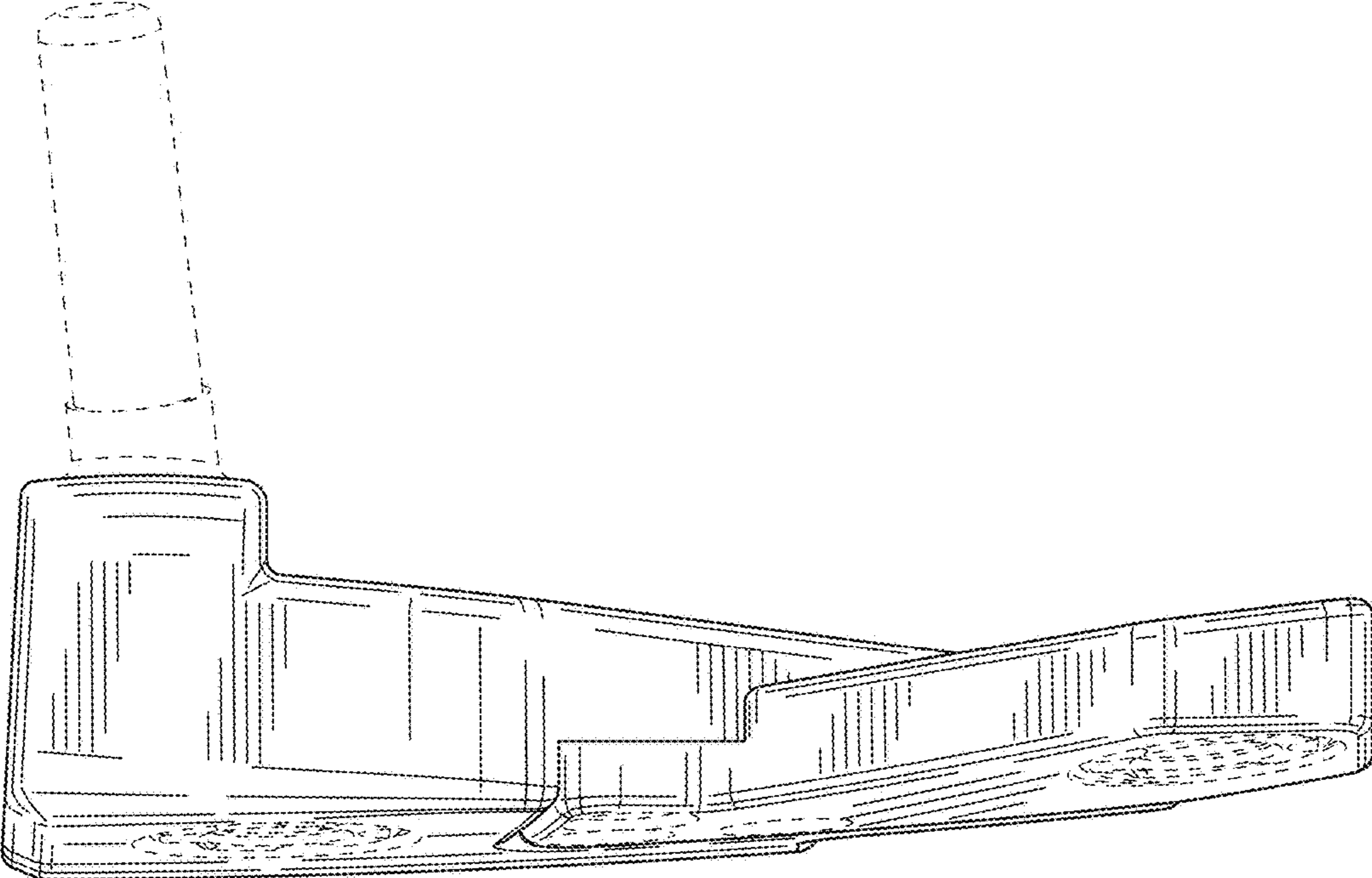


FIG. 23

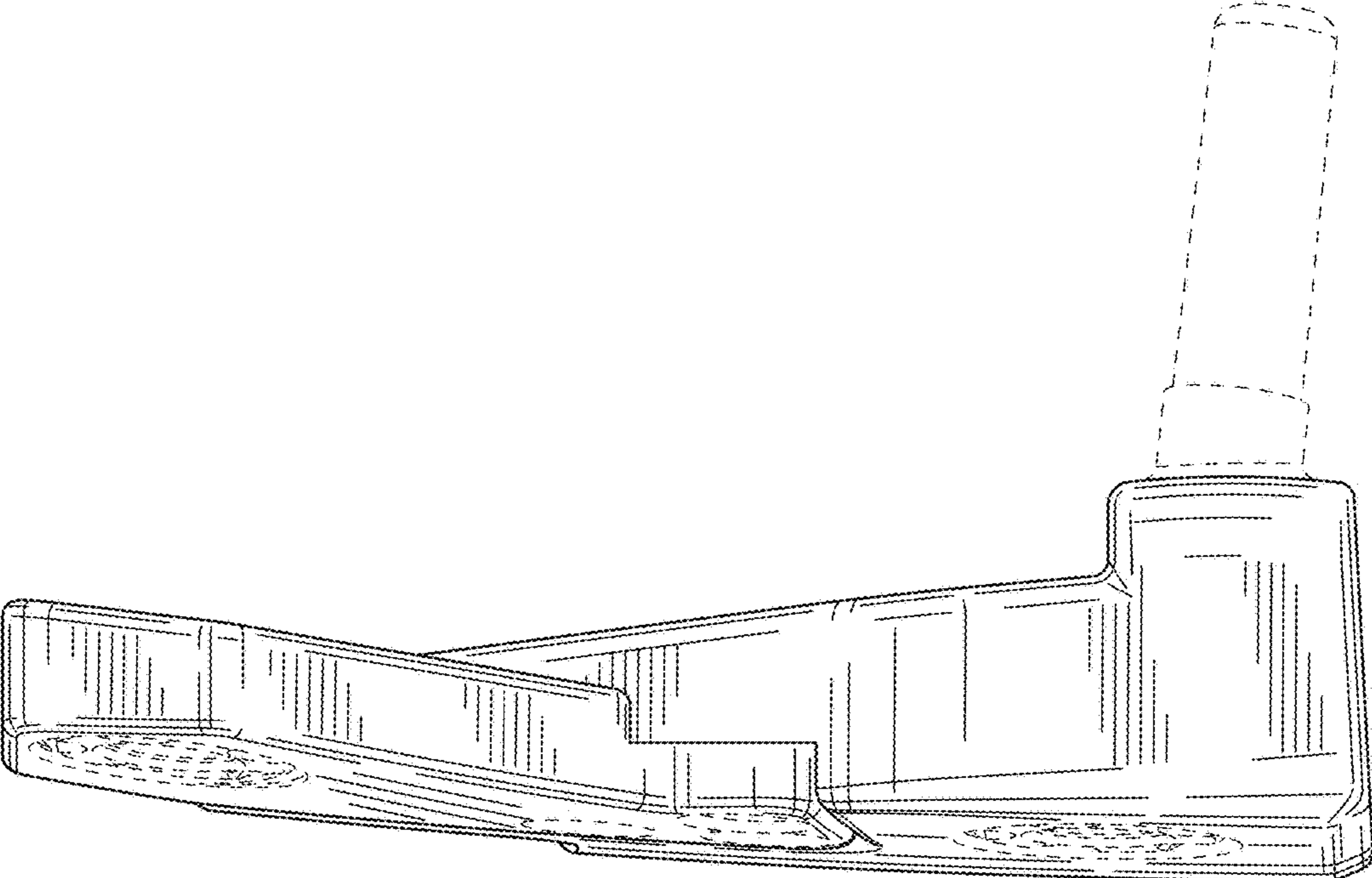


FIG. 24