

US00D835216S

(12) **United States Design Patent**
Cicelis

(10) **Patent No.:** **US D835,216 S**

(45) **Date of Patent:** **** Dec. 4, 2018**

(54) **SPORTS BOARDS**

(71) Applicant: **Rolandas Cicelis**, Vilnius (LT)

(72) Inventor: **Rolandas Cicelis**, Vilnius (LT)

(**) Term: **15 Years**

(21) Appl. No.: **35/503,979**

(22) Filed: **Oct. 26, 2017**

(80) **Hague Agreement Data**

Int. Filing Date: **Oct. 26, 2017**

Int. Reg. No.: **DM/098379**

Int. Reg. Date: **Oct. 26, 2017**

Int. Reg. Pub. Date: **Nov. 17, 2017**

(51) **LOC (11) Cl.** **21-02**

(52) **U.S. Cl.**
USPC **D21/699**

(58) **Field of Classification Search**
USPC D21/301, 302, 303, 305, 698, 699, 700,
D21/705; D22/113, 114
CPC A63B 69/36; A63B 63/00; A63B 63/001;
A63B 63/002; A63B 63/003; A63B
63/006

See application file for complete search history.

(56) **References Cited**

U.S. PATENT DOCUMENTS

- 2,458,105 A * 1/1949 Sell A63B 63/00
473/190
- 2,932,516 A * 4/1960 Penner A63B 63/00
273/402
- D360,012 S * 7/1995 Wisdom D21/699
- 5,934,679 A * 8/1999 Strain A63B 51/04
273/127 C
- D420,714 S * 2/2000 Ivanov D21/705
- D422,326 S * 4/2000 Lai D21/699

- D643,888 S * 8/2011 Essex A63B 63/00
D21/699
- D679,766 S * 4/2013 Piot A63B 63/00
D21/699
- D729,877 S * 5/2015 Cunningham D21/303
- 9,138,626 B1 * 9/2015 Messimer A63B 63/00
- D742,466 S * 11/2015 Jaguan A63B 67/06
D21/699
- D764,617 S * 8/2016 Piot A63B 63/00
D21/699
- 2009/0075764 A1 * 3/2009 Zedick, Sr. A63B 63/00
473/456
- 2010/0081513 A1 * 4/2010 La Pointe A63B 63/00
473/197
- 2015/0273311 A1 * 10/2015 Dodds A63B 71/022
473/421
- 2015/0328515 A1 * 11/2015 Prendergast A63B 67/06
273/400
- 2018/0056155 A1 * 3/2018 McAuley A63B 63/08
D21/303

* cited by examiner

Primary Examiner — George D. Kirschbaum

Assistant Examiner — Joseph J Kukella

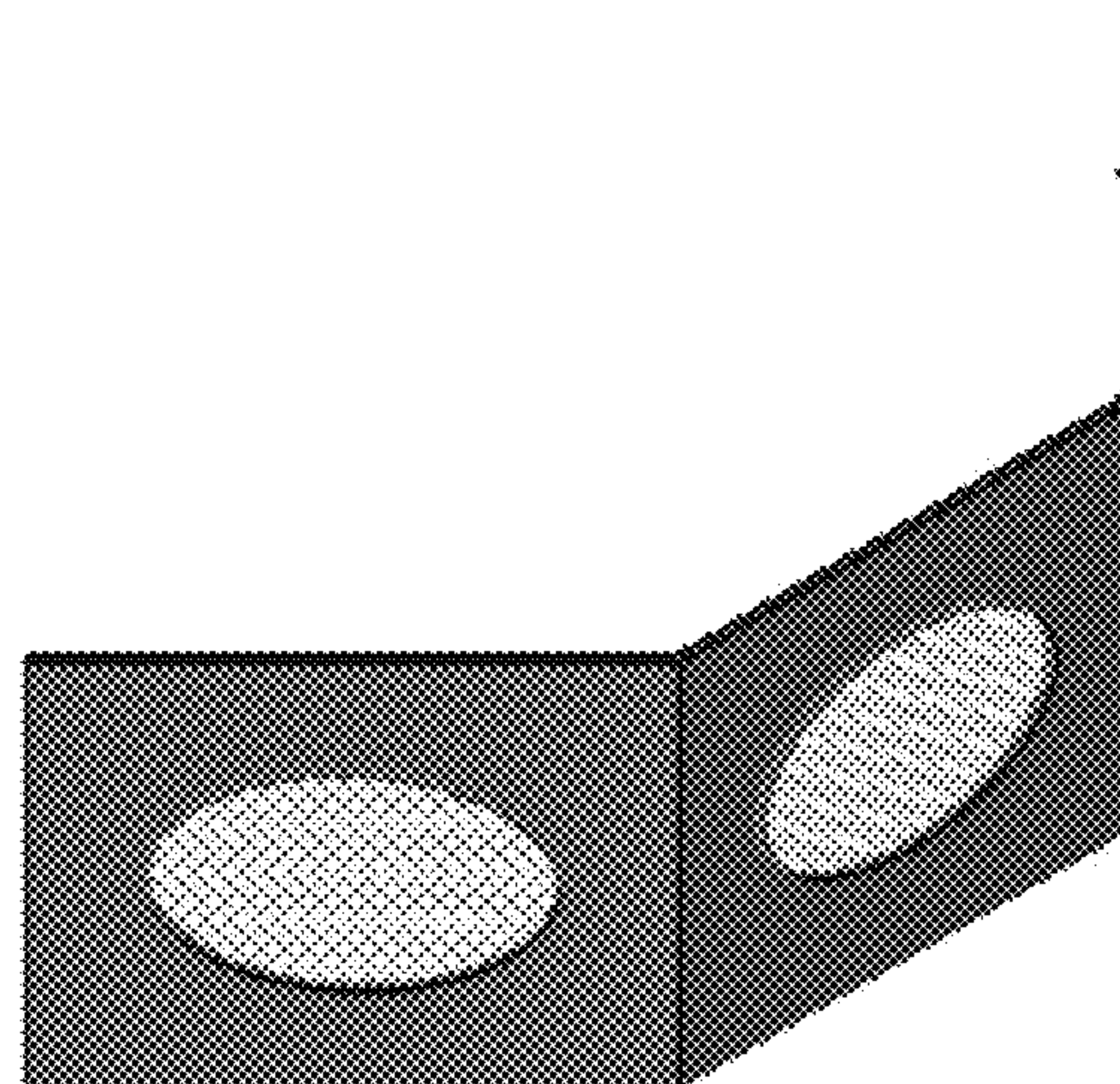
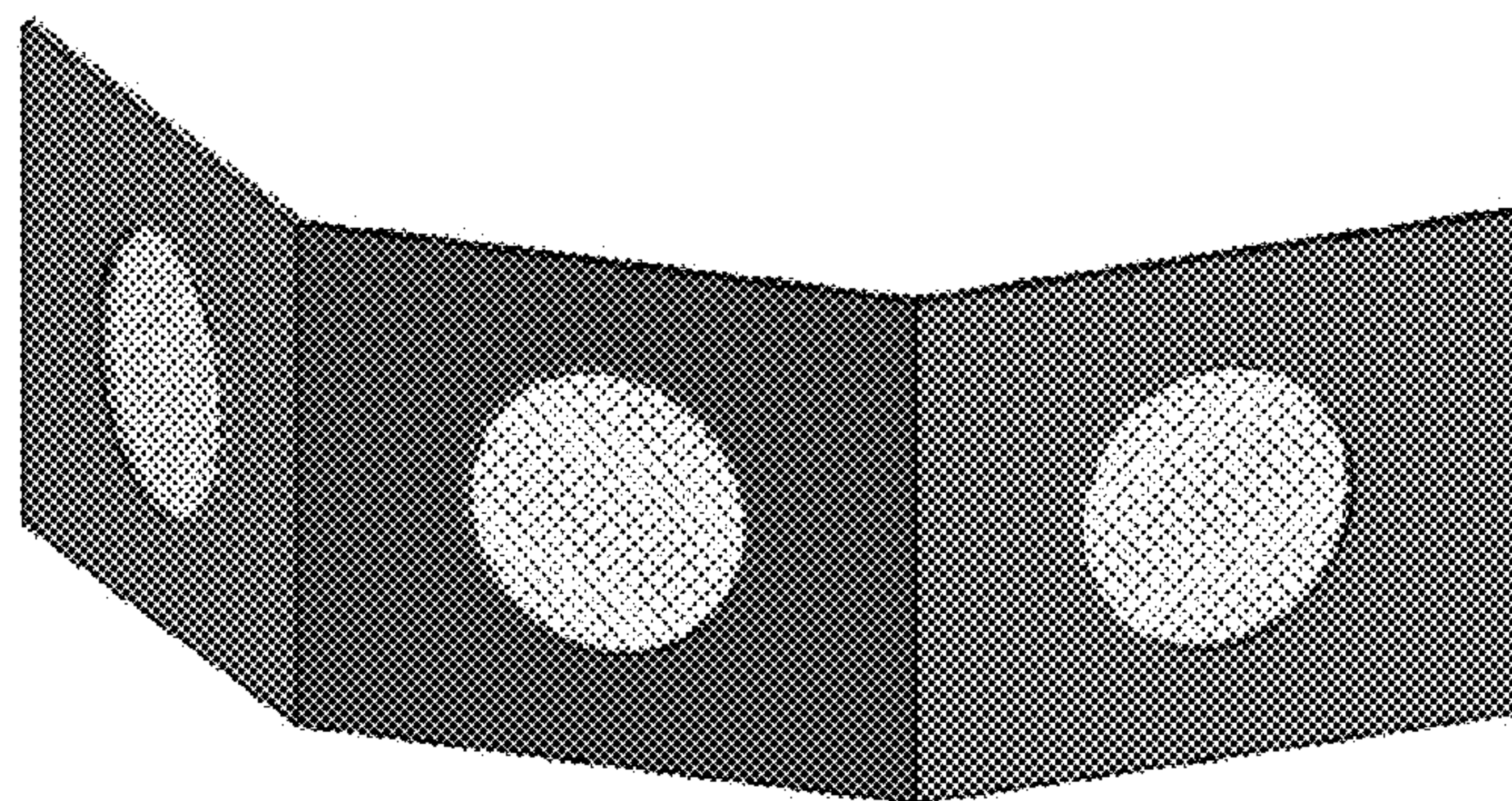
(57) **CLAIM**

The ornamental design for sports boards, as shown and described.

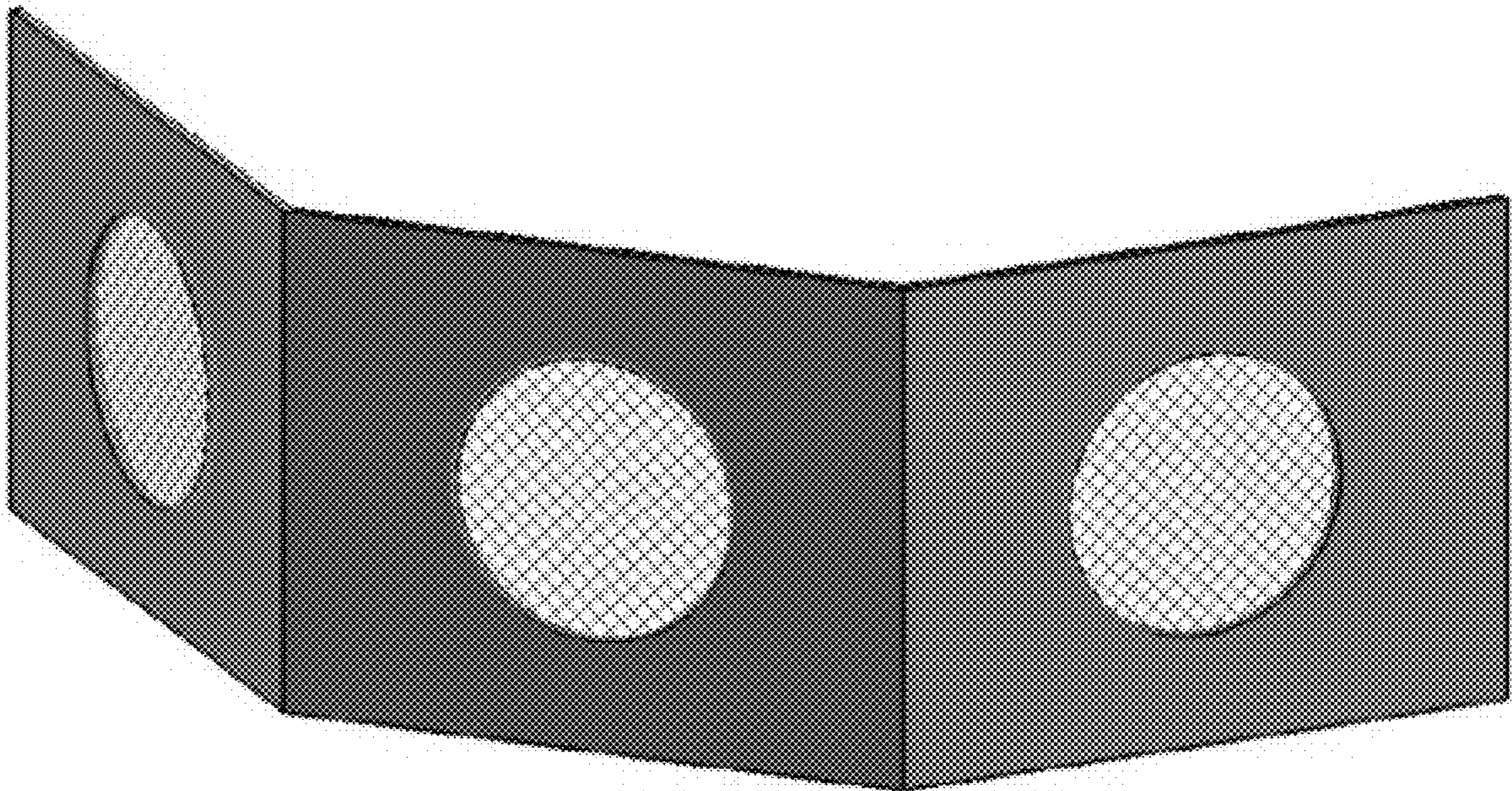
DESCRIPTION

- 1.-2. Sports boards
- 1.1 : Perspective
- 1.2 : Front
- 1.3 : Back
- 1.4 : Top
- 2.1 : Perspective
- 2.2 : Front
- 2.3 : Back
- 2.4 : Top

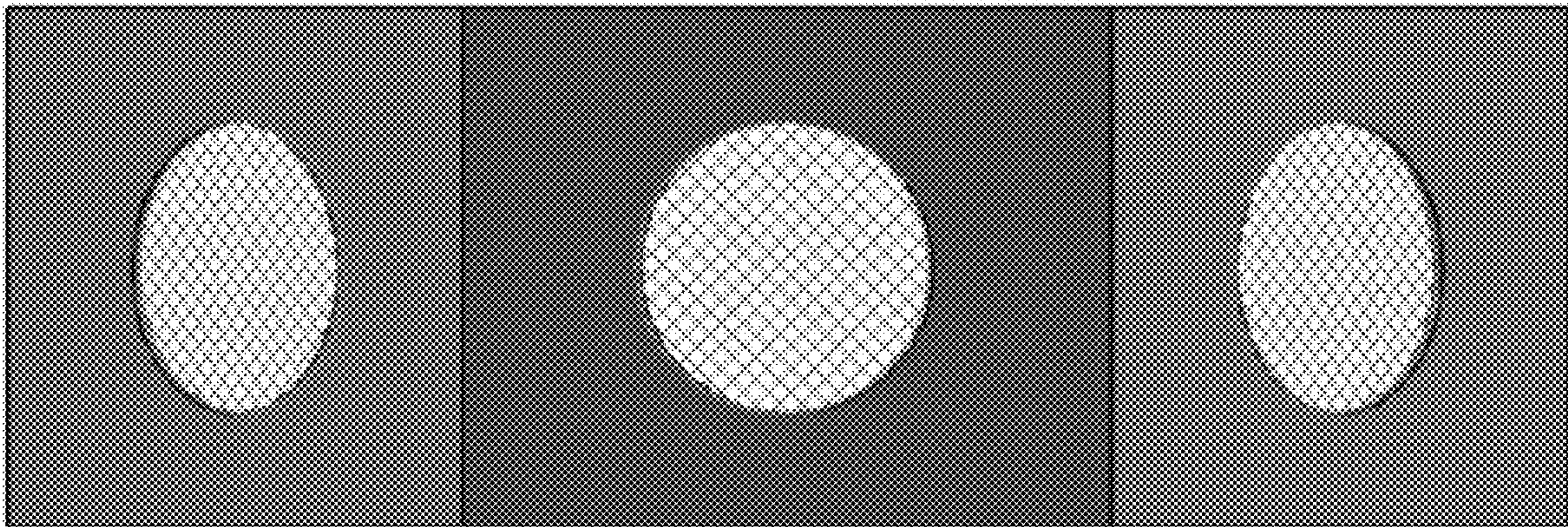
1 Claim, 8 Drawing Sheets



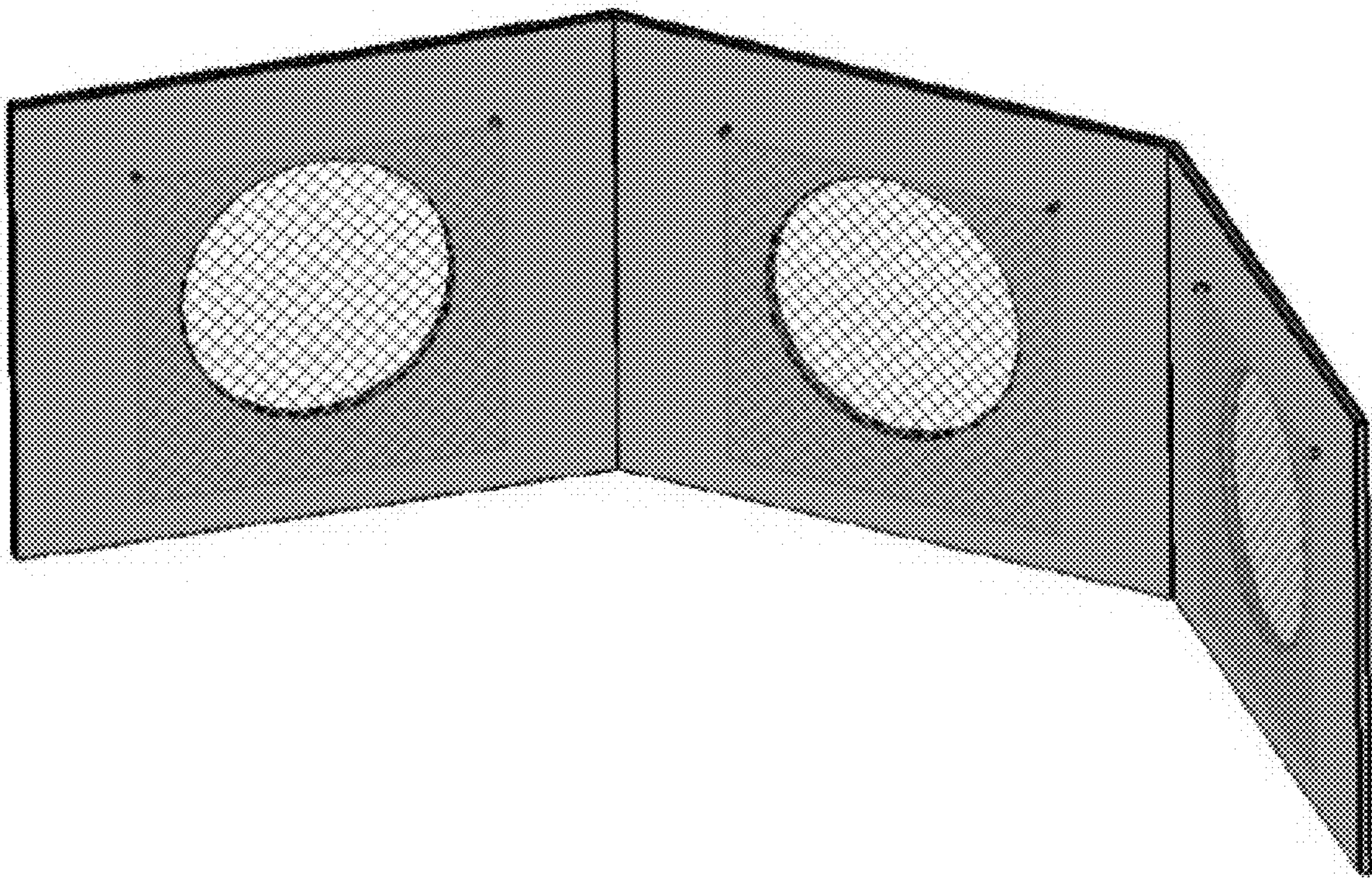
1.1



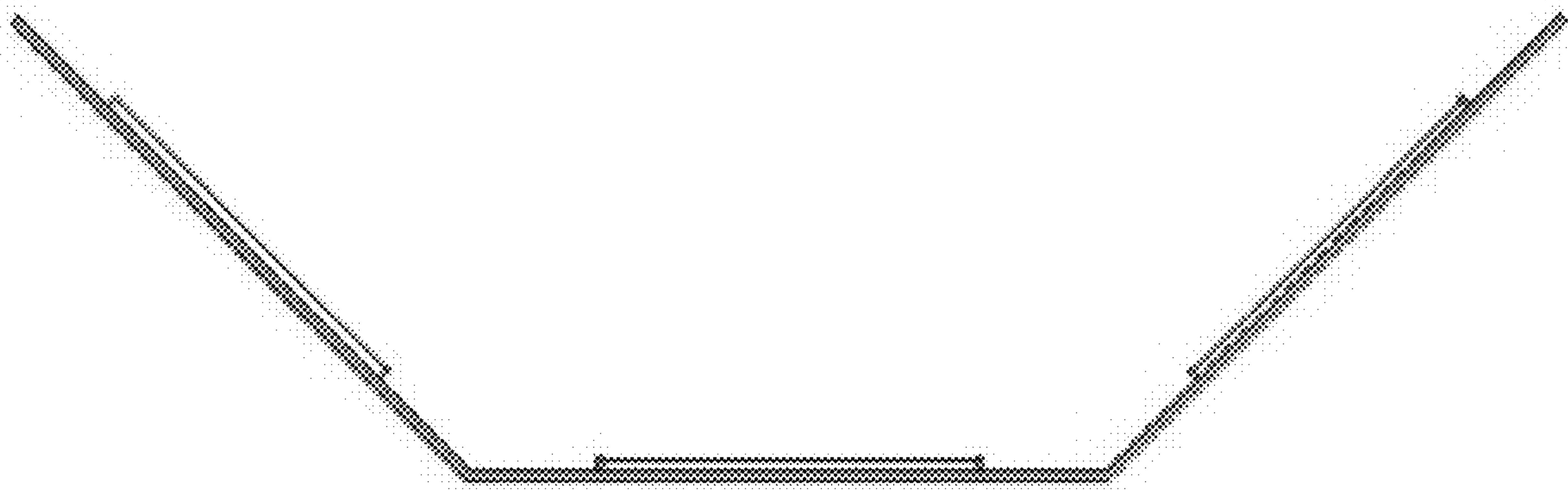
1.2



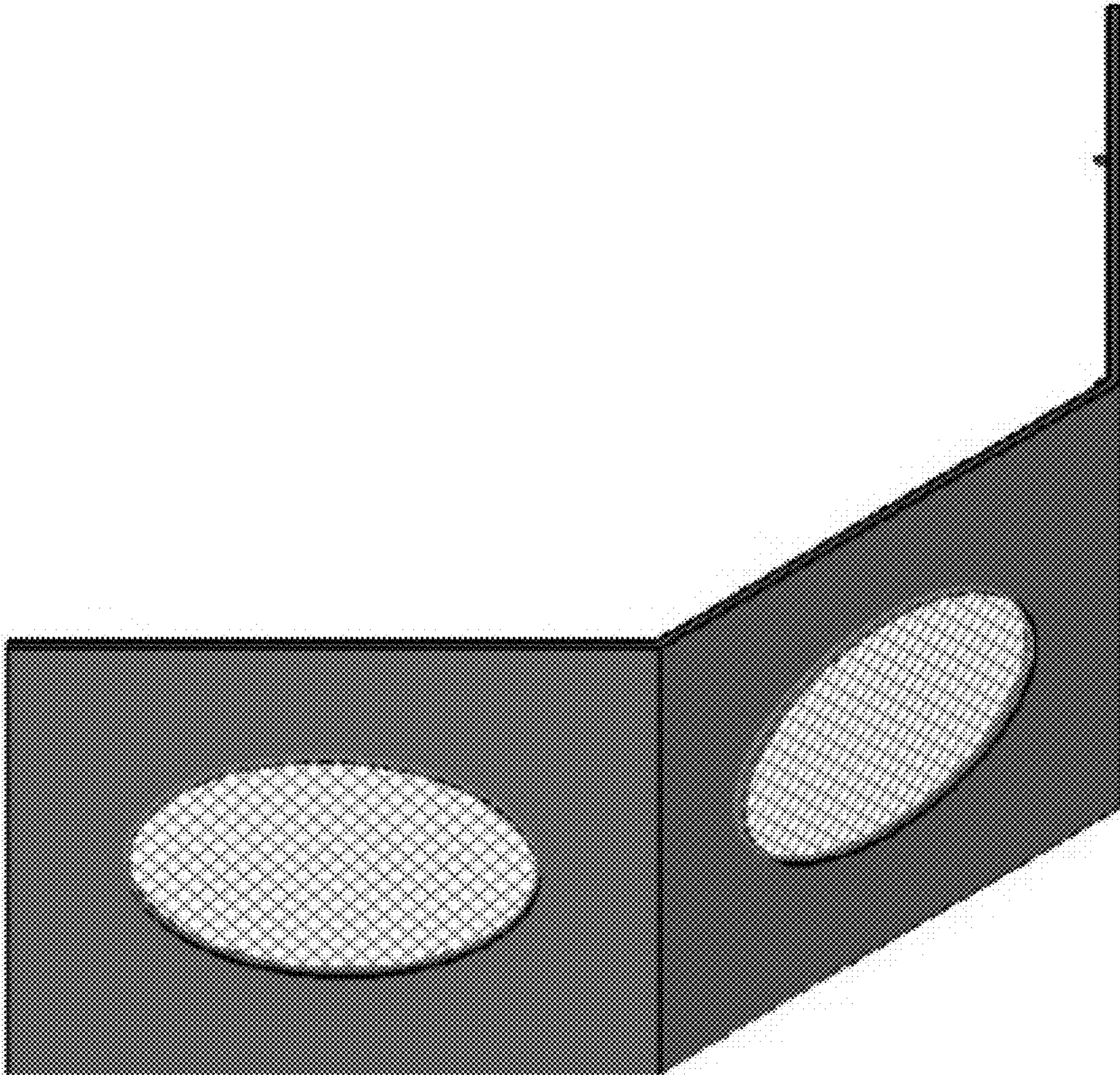
1.3



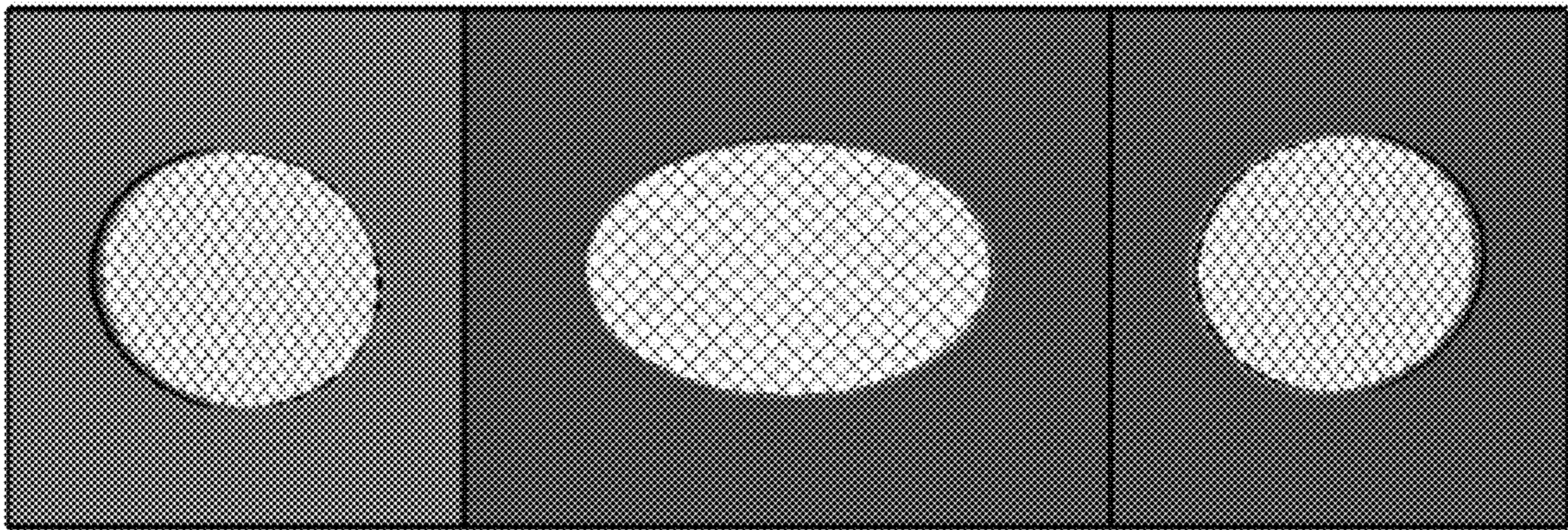
1.4



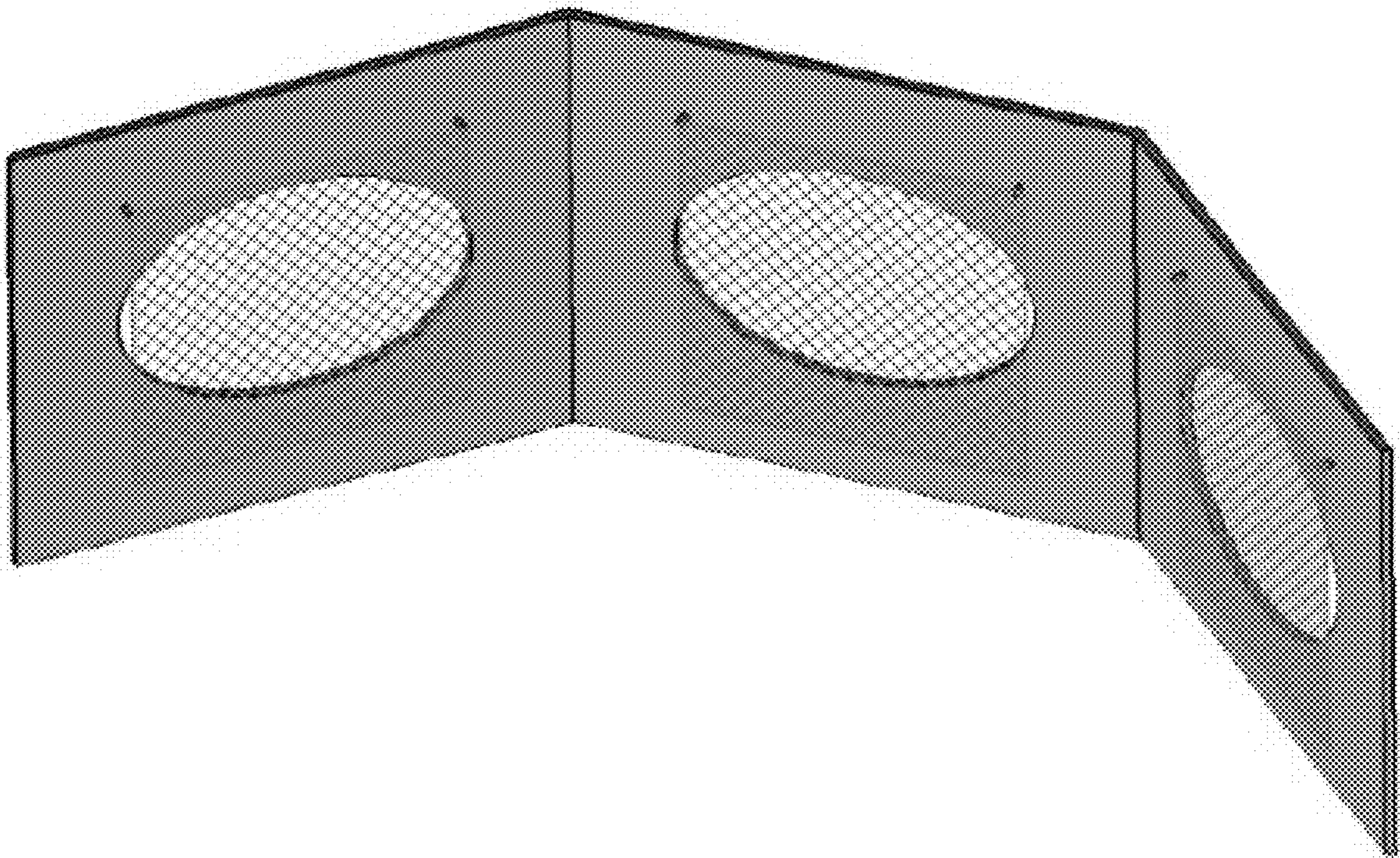
2.1



2.2



2.3



2.4

