



US00D835213S

(12) **United States Design Patent**
Schmitt

(10) **Patent No.:** **US D835,213 S**

(45) **Date of Patent:** **** Dec. 4, 2018**

(54) **TOY TRUCK**

(71) Applicant: **William Joseph Schmitt**, Highland, MI
(US)

(72) Inventor: **William Joseph Schmitt**, Highland, MI
(US)

(**) Term: **15 Years**

(21) Appl. No.: **29/593,373**

(22) Filed: **Feb. 8, 2017**

(51) **LOC (11) Cl.** **21-01**

(52) **U.S. Cl.**
USPC **D21/553**; D21/433; D21/434; D21/533;
D21/552

(58) **Field of Classification Search**

USPC D12/86, 88, 90-92, 164, 173, 184-186,
D12/190, 196; D21/419, 421, 423,
D21/424-426, 433-435, 539, 541, 548,
D21/549, 550, 552-555, 559, 561;
446/456, 465

CPC A63H 17/26; A63H 17/262; A63H 17/264;
A63H 17/266; A63H 17/36; A63H 17/38;
A63H 29/00; A63H 29/22; A63H 29/24;
A63H 30/04

See application file for complete search history.

(56) **References Cited**

U.S. PATENT DOCUMENTS

D211,809 S * 7/1968 Ganin D21/548
D226,013 S * 1/1973 Toyotsugu D21/553
D251,750 S * 5/1979 Shigenori D21/553
D252,892 S * 9/1979 Shigenori D21/554
D263,325 S * 3/1982 Kanaoki D21/555
D305,555 S * 1/1990 Spielberg D21/554
D368,287 S * 3/1996 Walter D21/435

D388,132 S * 12/1997 Maxwell D21/424
D390,891 S * 2/1998 Xu D21/553
D396,503 S * 7/1998 Leadbetter D21/541
D408,471 S * 4/1999 Smolarczyk D21/550
D416,951 S * 11/1999 Wei D21/553
D416,952 S * 11/1999 Wei D21/554
D425,142 S * 5/2000 Wei D21/552
D428,076 S * 7/2000 Wise D21/548
D433,466 S * 11/2000 Tsai D21/548
D445,845 S * 7/2001 Tse D21/555
D448,817 S * 10/2001 Yamanouchi D21/555
D606,598 S * 12/2009 Lau D21/539
D693,270 S * 11/2013 Burki D12/86
D784,724 S * 4/2017 Bunch D6/534
D787,855 S * 5/2017 Bunch D6/543
2002/0068502 A1 * 6/2002 Kownacki A63H 17/00
446/465

* cited by examiner

Primary Examiner — Robin V Webster

Assistant Examiner — Keith J Wilson

(74) *Attorney, Agent, or Firm* — Dunlap Bennett &
Ludwig PLLC

(57) **CLAIM**

The ornamental design for a toy truck, as shown and
described.

DESCRIPTION

FIG. 1 is a front perspective view of a toy truck;

FIG. 2 is a front elevation view thereof;

FIG. 3 is a rear elevation view thereof;

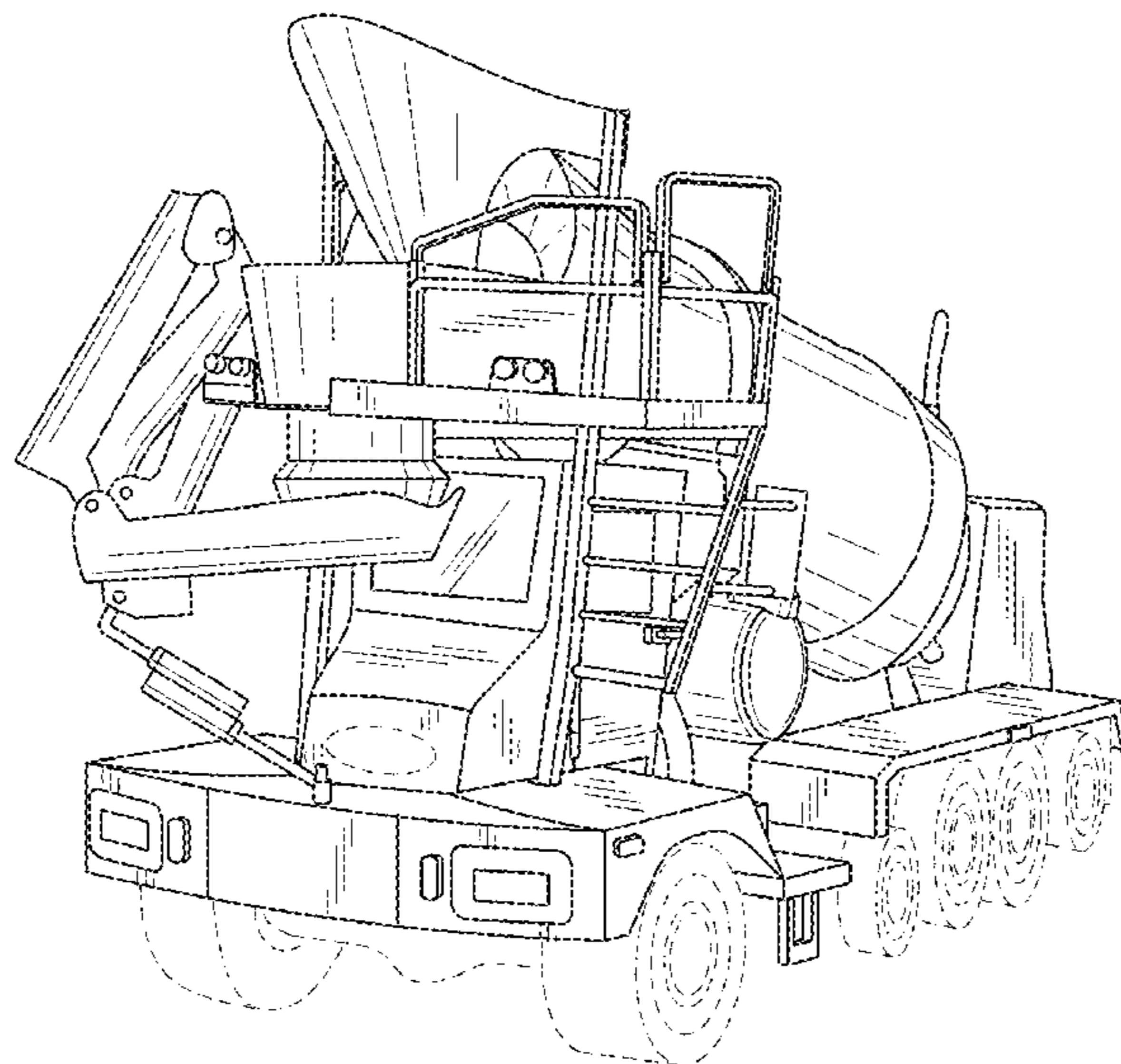
FIG. 4 is a left side elevation view thereof;

FIG. 5 is a right side elevation view thereof; and,

FIG. 6 is a top plan view thereof.

The broken lines shown in the drawings depict portions of
the toy truck that form no part of the claimed design.

1 Claim, 5 Drawing Sheets



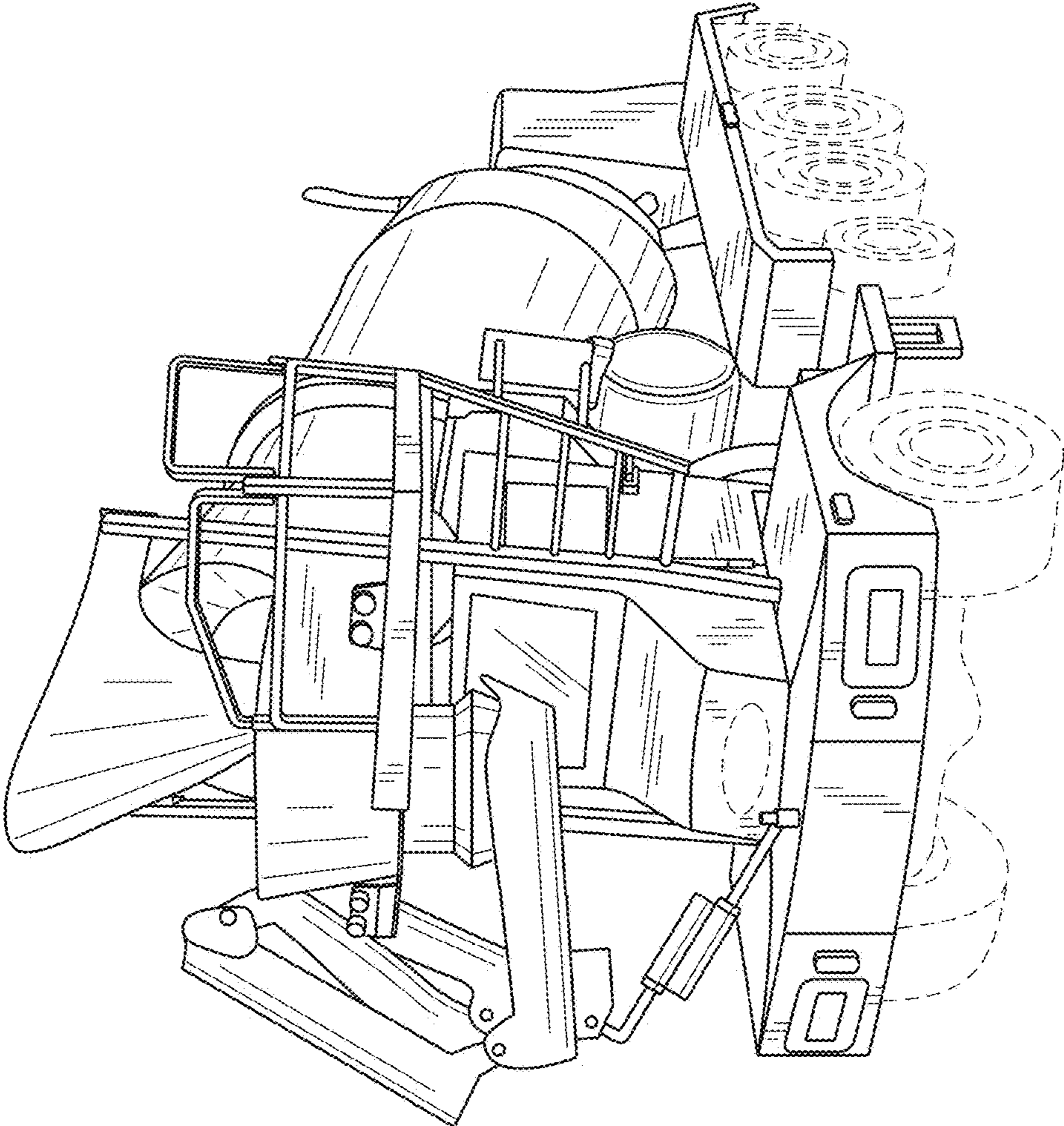


FIG. 1

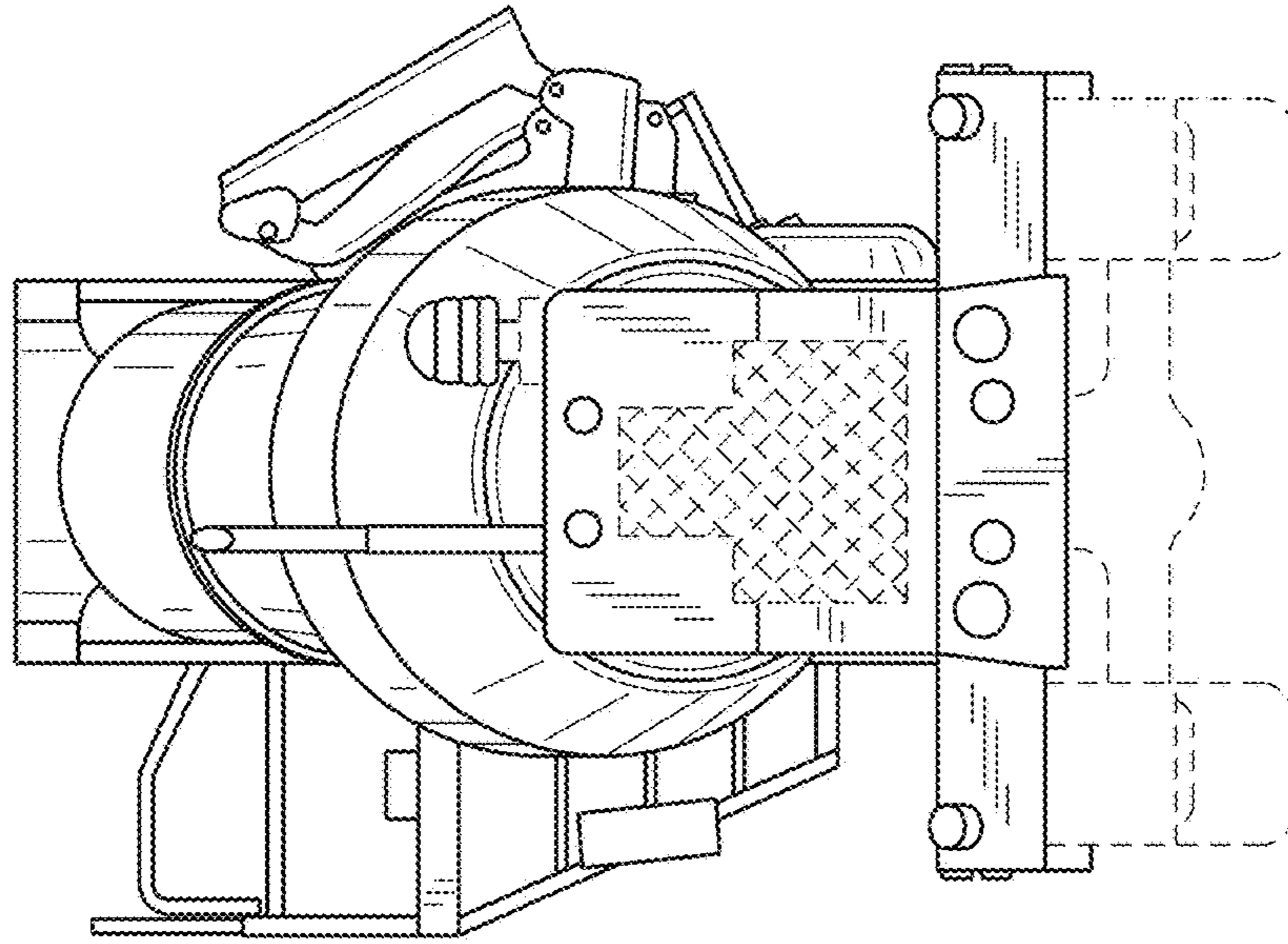


FIG. 3

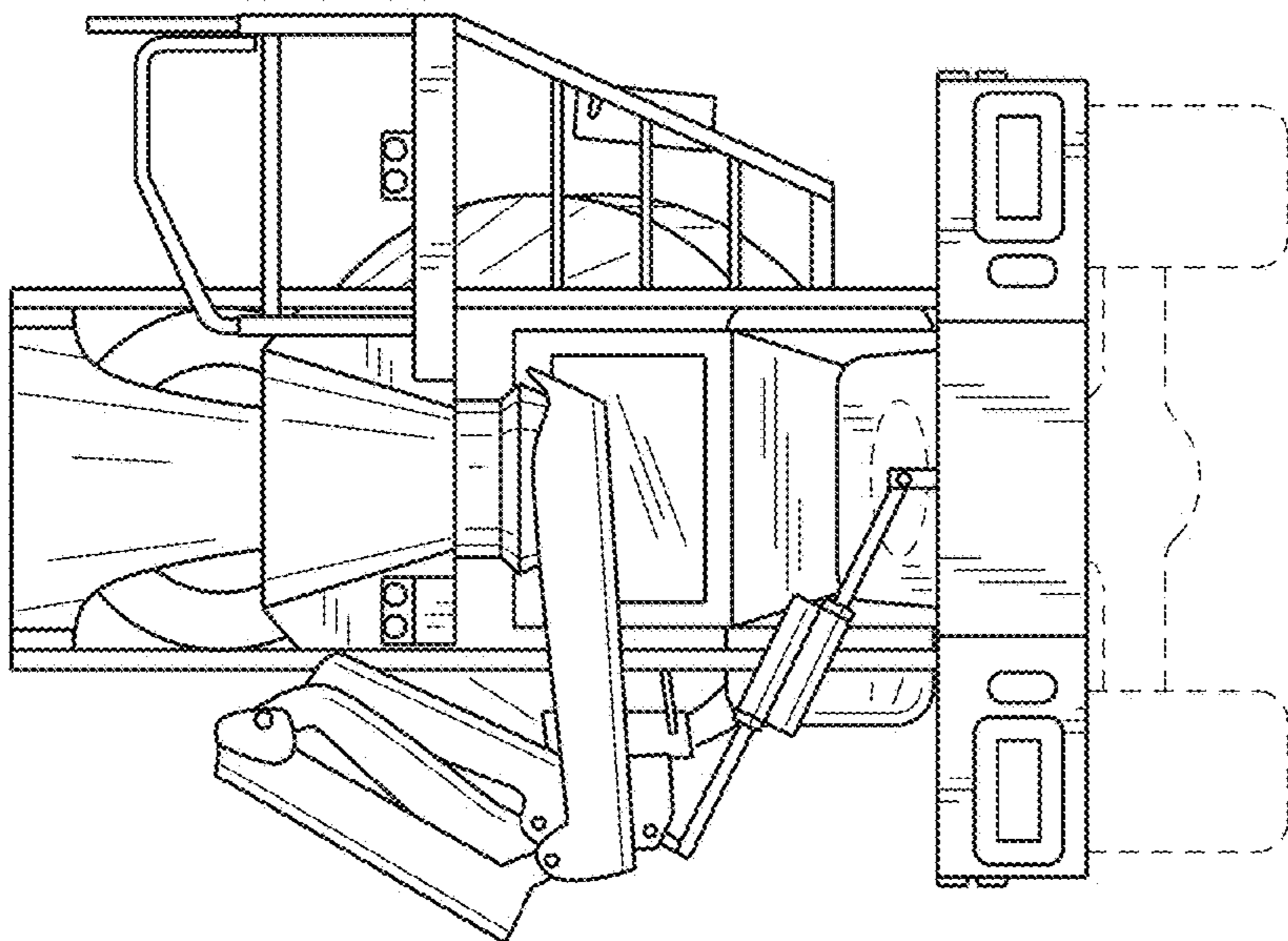


FIG. 2

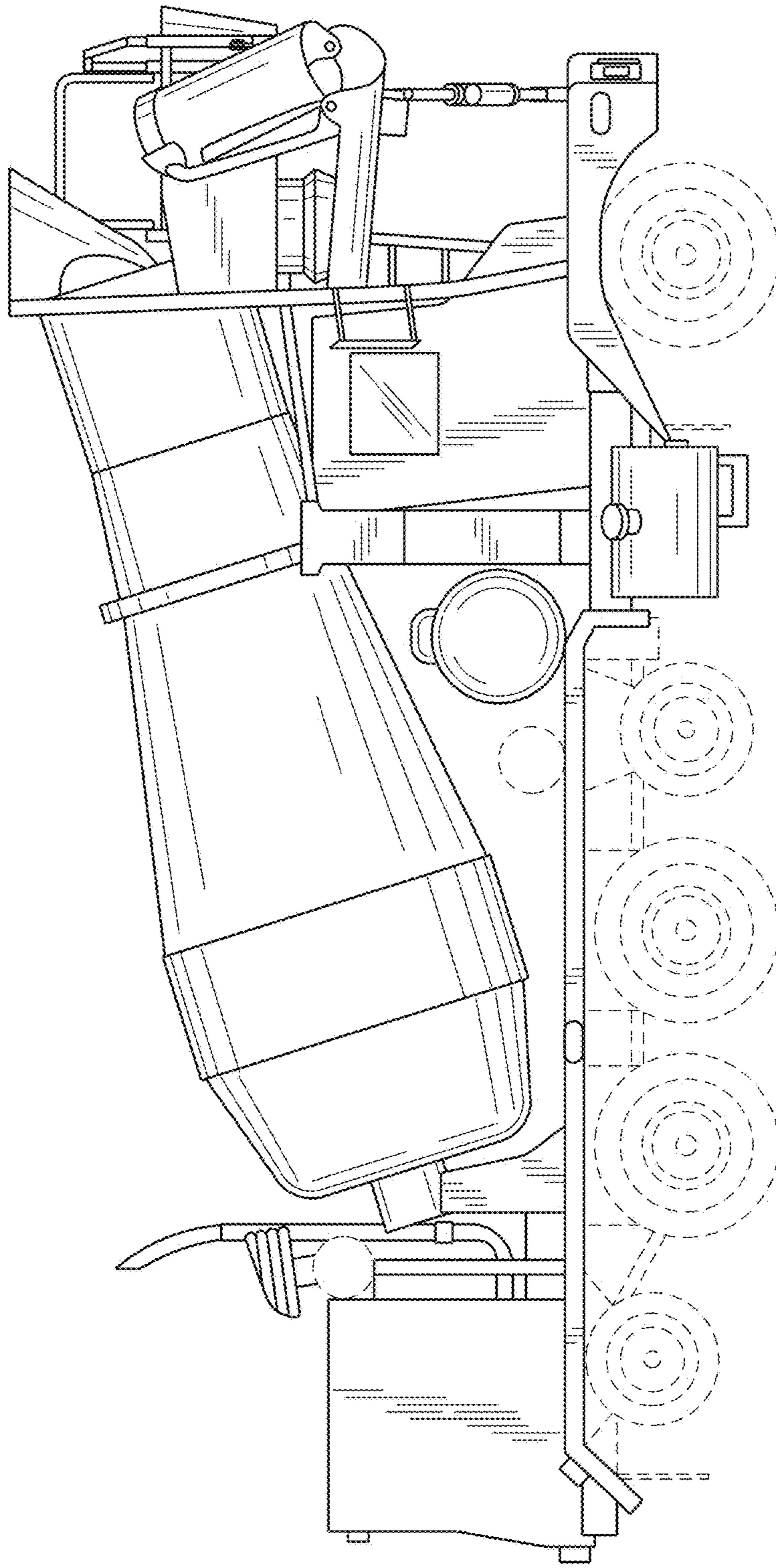


FIG. 4

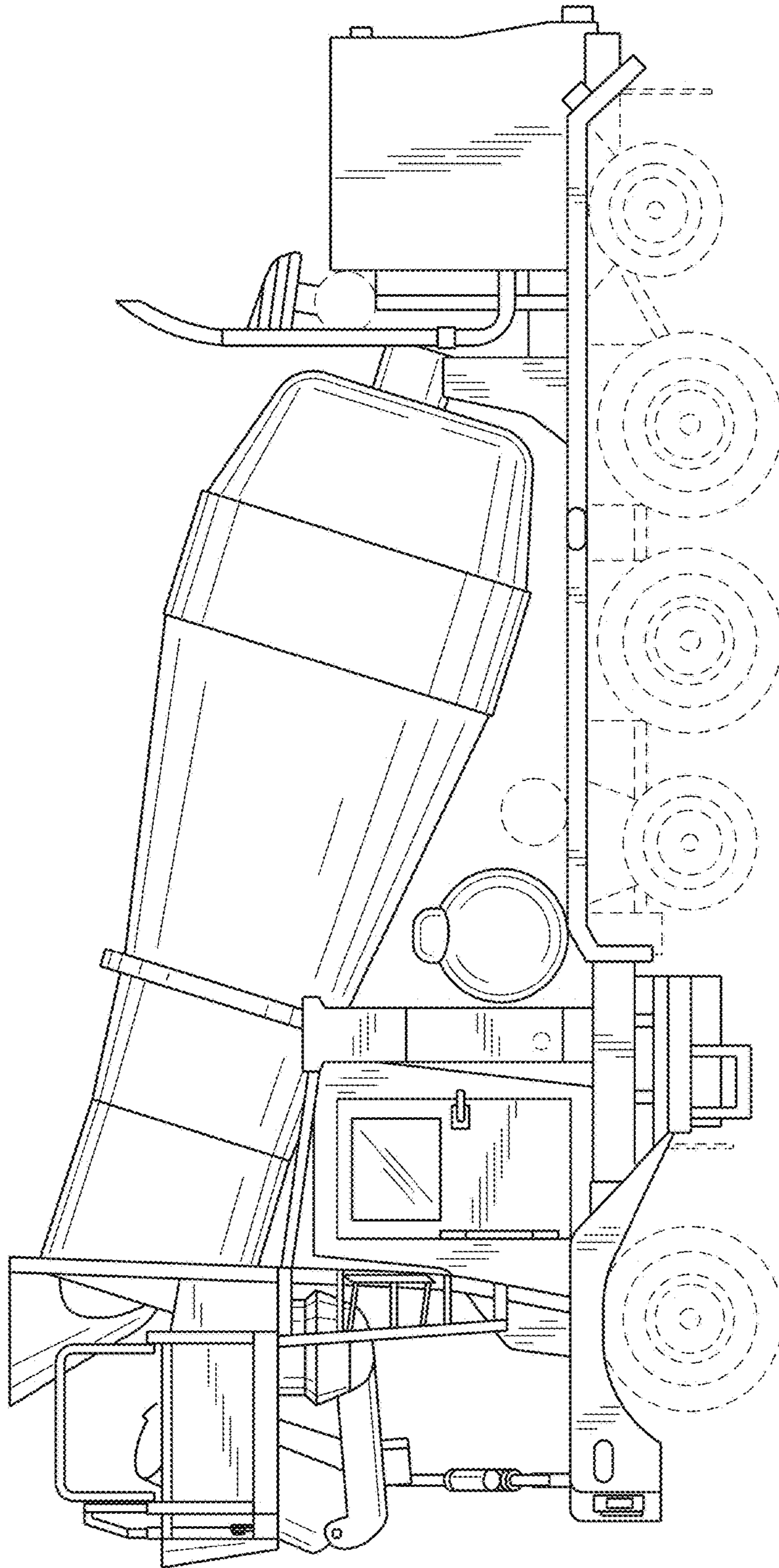


FIG. 5

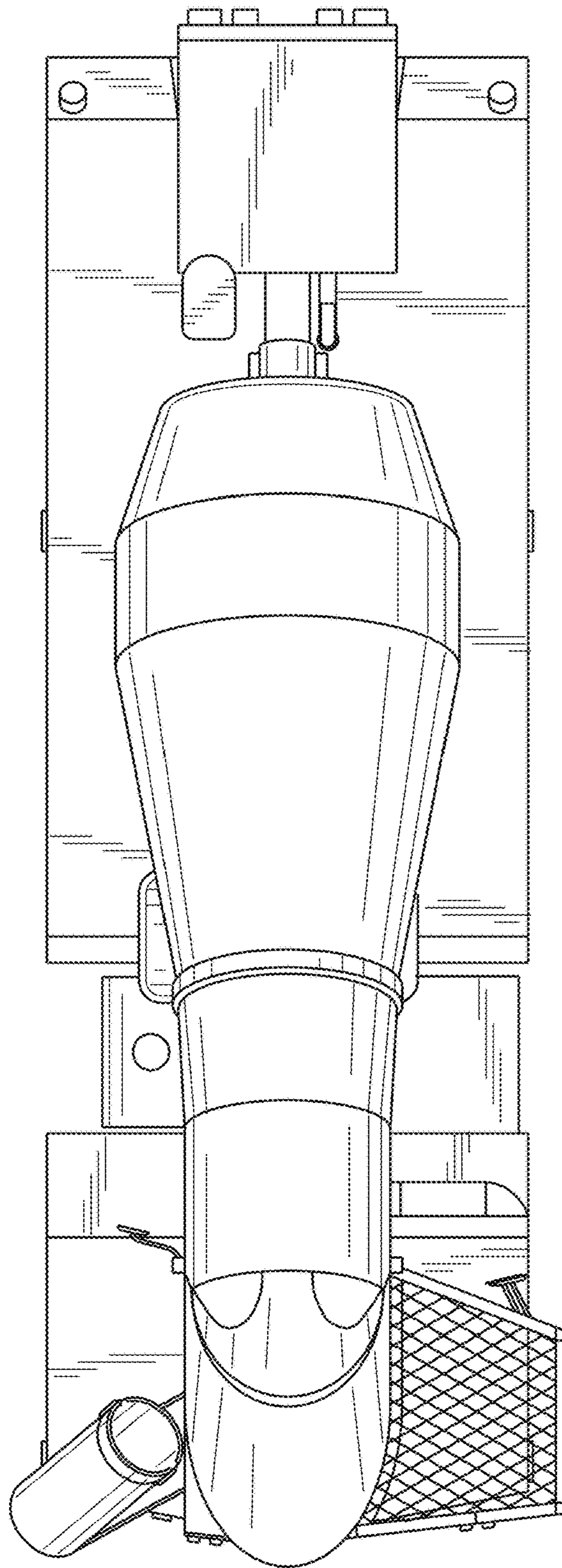


FIG. 6