



US00D835209S

(12) **United States Design Patent**
Hashiba et al.

(10) **Patent No.:** **US D835,209 S**
(45) **Date of Patent:** **** Dec. 4, 2018**

(54) **SPINNING TOP TOY**

FOREIGN PATENT DOCUMENTS

(71) Applicant: **TOMY COMPANY, LTD.**, Tokyo (JP)
(72) Inventors: **Kenta Hashiba**, Tokyo (JP); **Toshinobu Ishii**, Saitama (JP); **Yasuhiro Yamashita**, Tokyo (JP)
(73) Assignee: **TOMY COMPANY, LTD.**, Tokyo (JP)
(**) Term: **15 Years**
(21) Appl. No.: **29/630,471**
(22) Filed: **Dec. 21, 2017**

CN	302092851	*	9/2012	
CN	302143915	*	10/2012	
CN	304266104	*	9/2017	
EM	003047489-0001	*	4/2016	
EM	003318252-0005	*	8/2016	
EM	003318252-0006	*	8/2016	
EM	003770668-0002	*	5/2017	
JP	3154824	U	* 10/2009 A63H 1/16
JP	3160657	U	* 7/2010 A63H 1/00
JP	6111365	B1	* 4/2017 A63H 1/02
JP	6184576	B1	* 8/2017 A63H 1/02
JP	6232112	B1	* 11/2017 A63H 1/04
WO	D098063-003	*	10/2017	

* cited by examiner

(30) **Foreign Application Priority Data**

Primary Examiner — Catherine A Tuttle

Jun. 29, 2017 (JP) 2017-013980

(74) *Attorney, Agent, or Firm* — Staas & Halsey LLP

(51) **LOC (11) Cl.** **21-01**

(57) **CLAIM**

(52) **U.S. Cl.**
USPC **D21/460**

The ornamental design for a spinning top toy, as shown.

(58) **Field of Classification Search**
USPC D21/455–464; 446/236–266
CPC A63H 1/00–1/32; A63F 9/16
See application file for complete search history.

DESCRIPTION

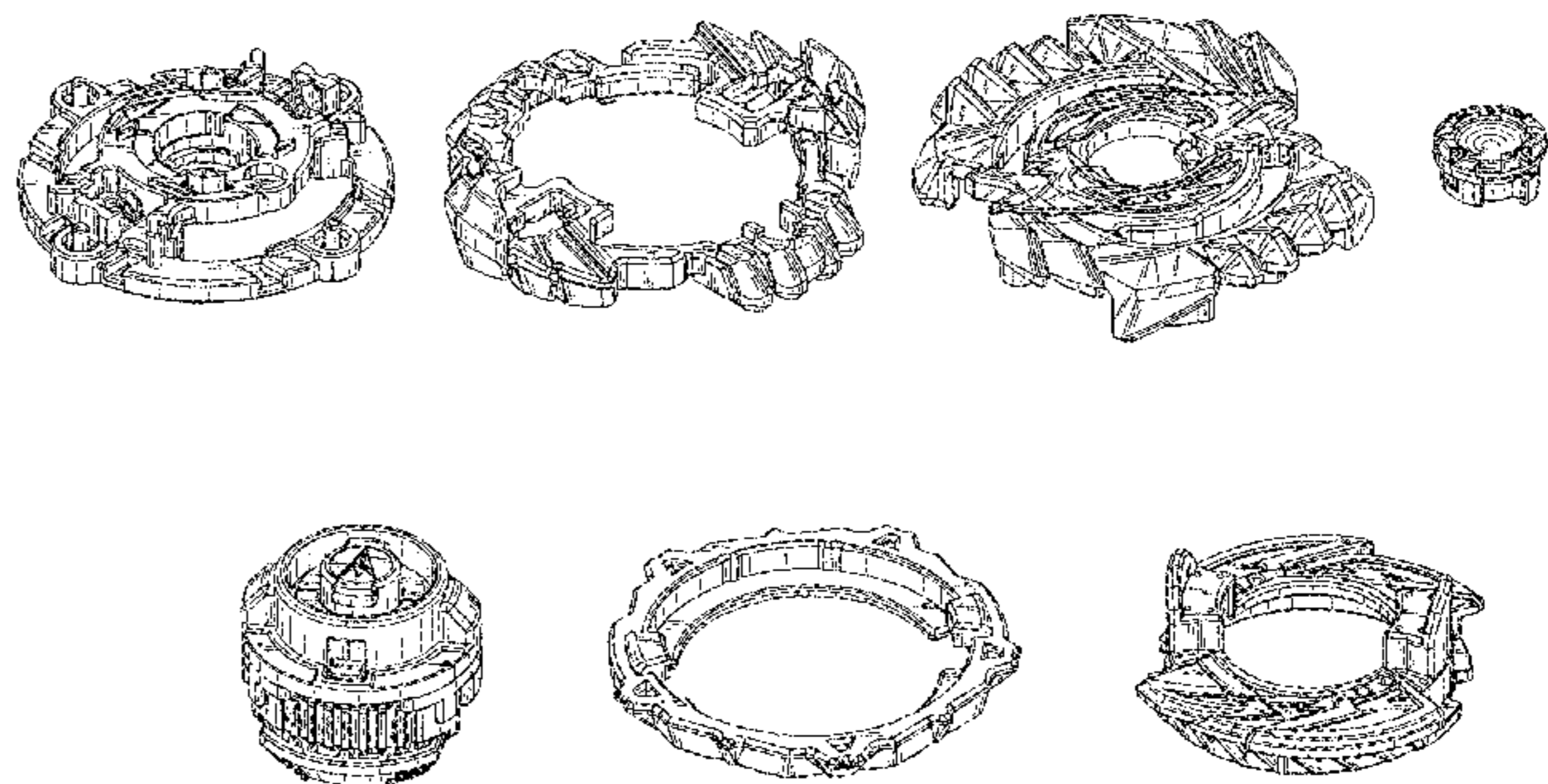
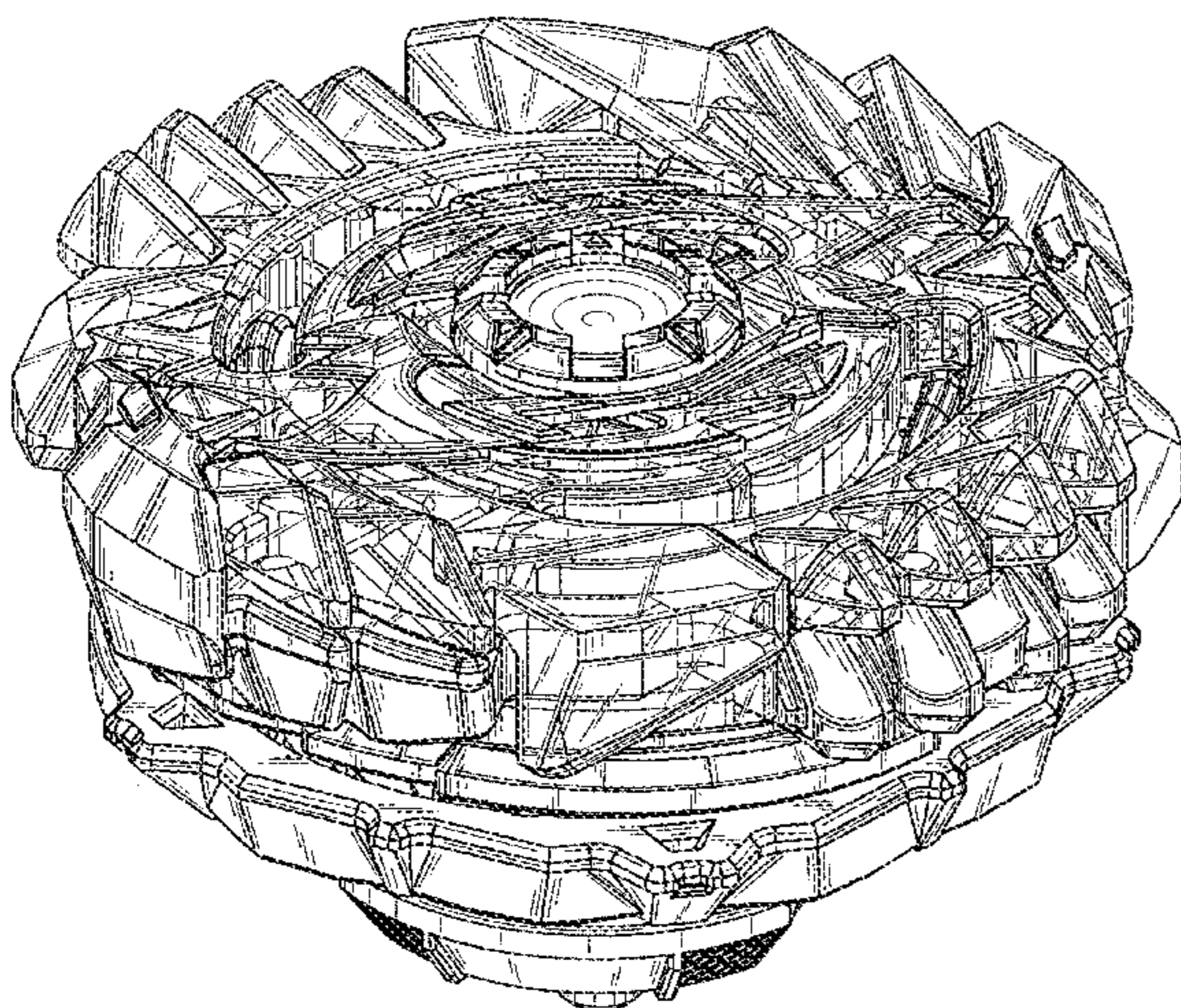
(56) **References Cited**

FIG. 1 is a front view of the spinning top toy showing our design;
FIG. 2 is a left side view thereof;
FIG. 3 is a rear view thereof;
FIG. 4 is a right side view thereof;
FIG. 5 is a top view thereof;
FIG. 6 is a bottom view thereof;
FIG. 7 is a front, top and left perspective view thereof;
FIG. 8 is a disassembled front, top and left perspective view thereof; and,
FIG. 9 is a disassembled front, bottom and left perspective view thereof.

U.S. PATENT DOCUMENTS

D608,842	S	*	1/2010	Nishimoto	D21/460
D614,245	S	*	4/2010	Ujita	D21/460
D629,051	S	*	12/2010	Nishimoto	D21/460
D629,848	S	*	12/2010	Ujita	D21/460
D639,348	S	*	6/2011	Ujita	D21/460
D666,252	S	*	8/2012	Ujita	D21/460
D666,253	S	*	8/2012	Ujita	D21/460
D820,919	S	*	6/2018	Horikoshi	D21/460
2018/0104602	A1	*	4/2018	Muraki	A63H 1/00

1 Claim, 9 Drawing Sheets



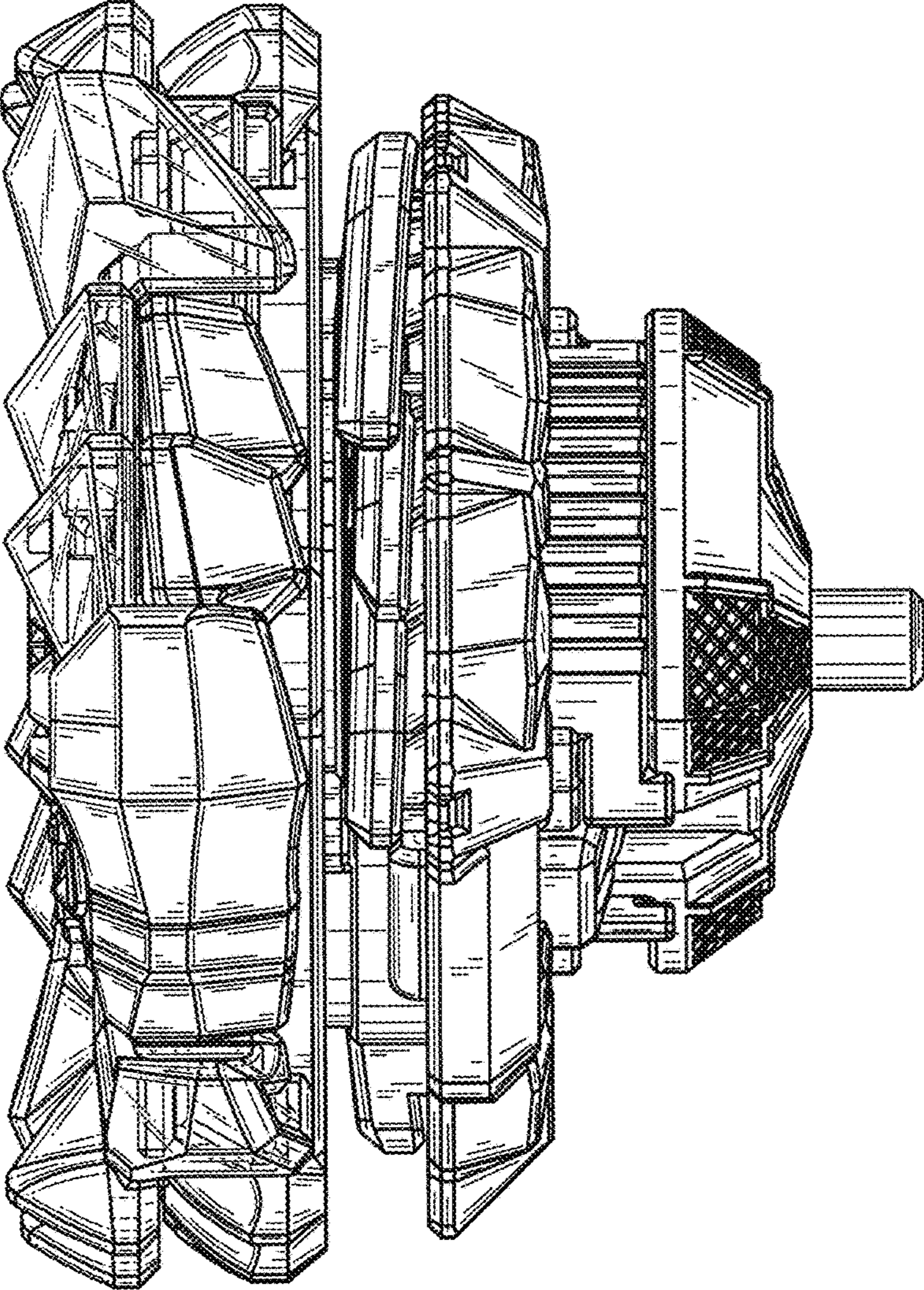


FIG. 1

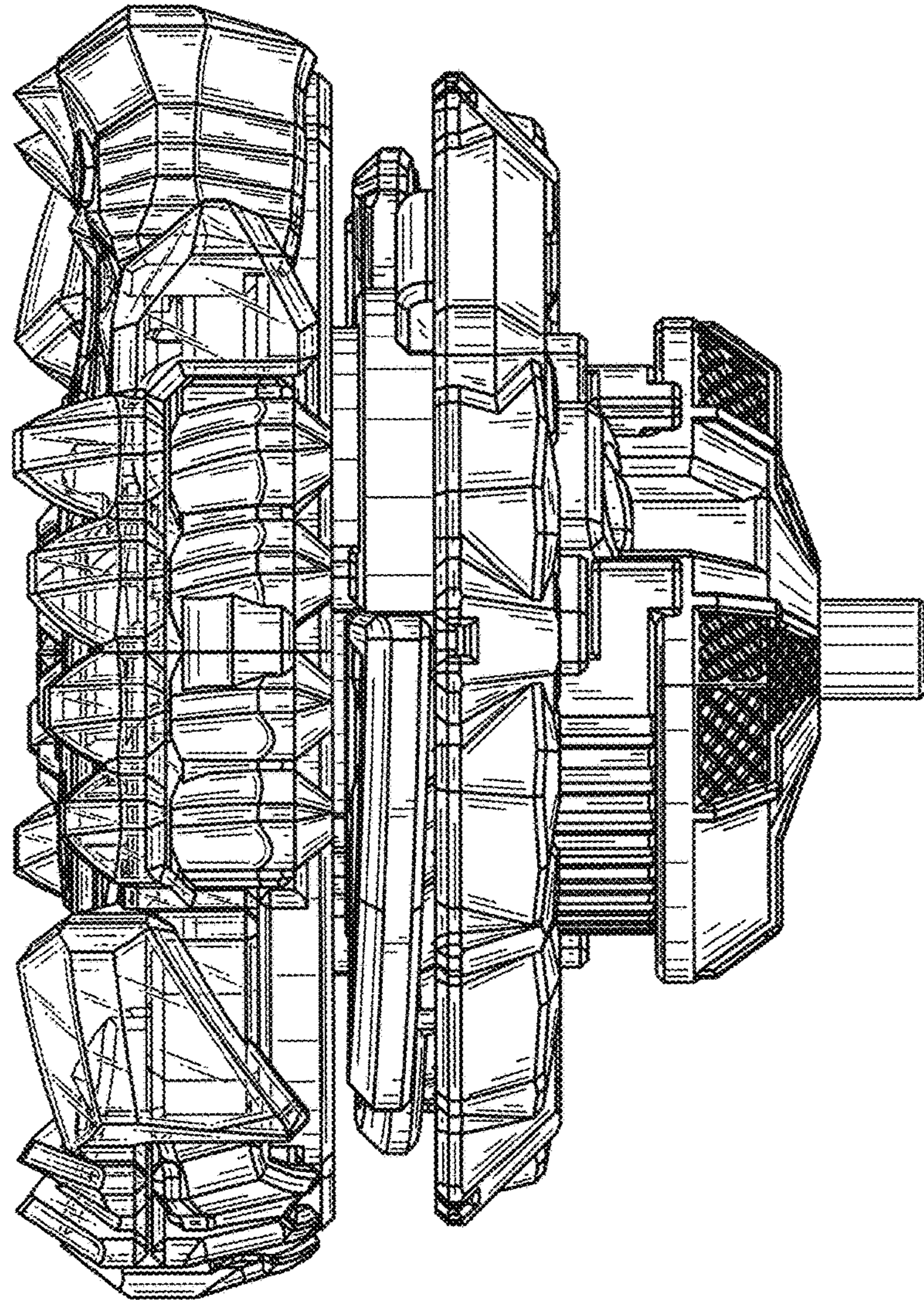


FIG. 2

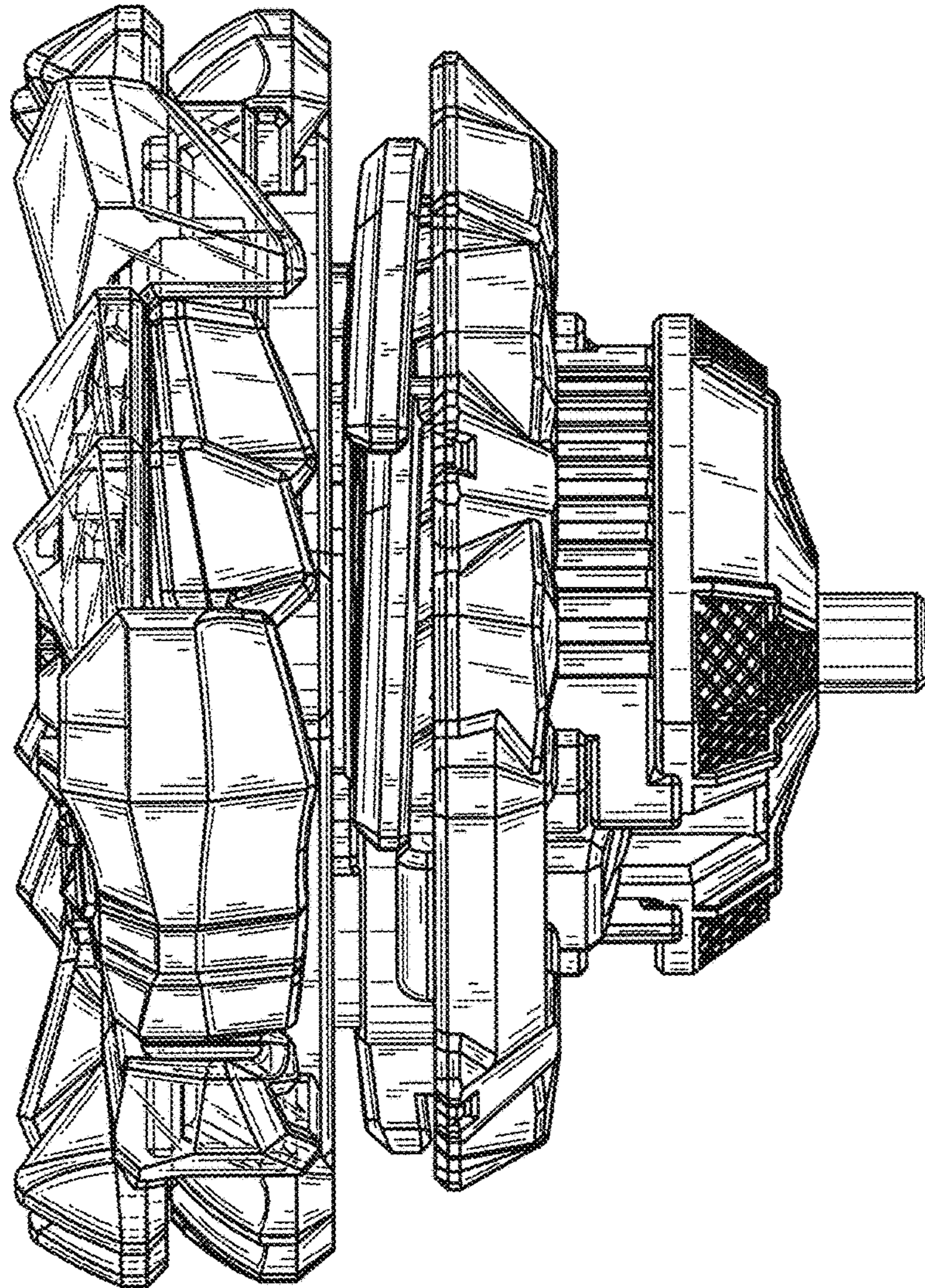


FIG. 3

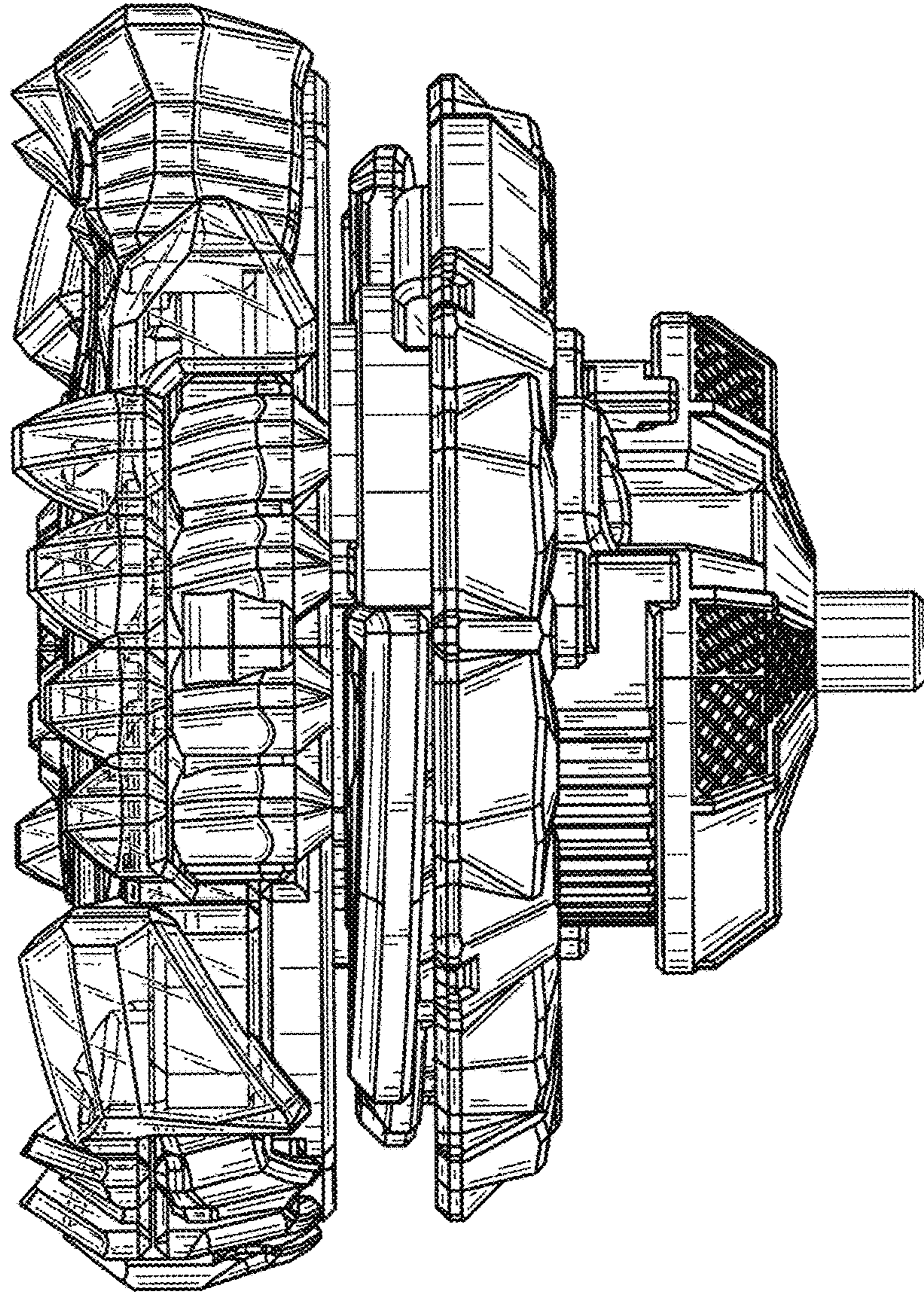


FIG. 4

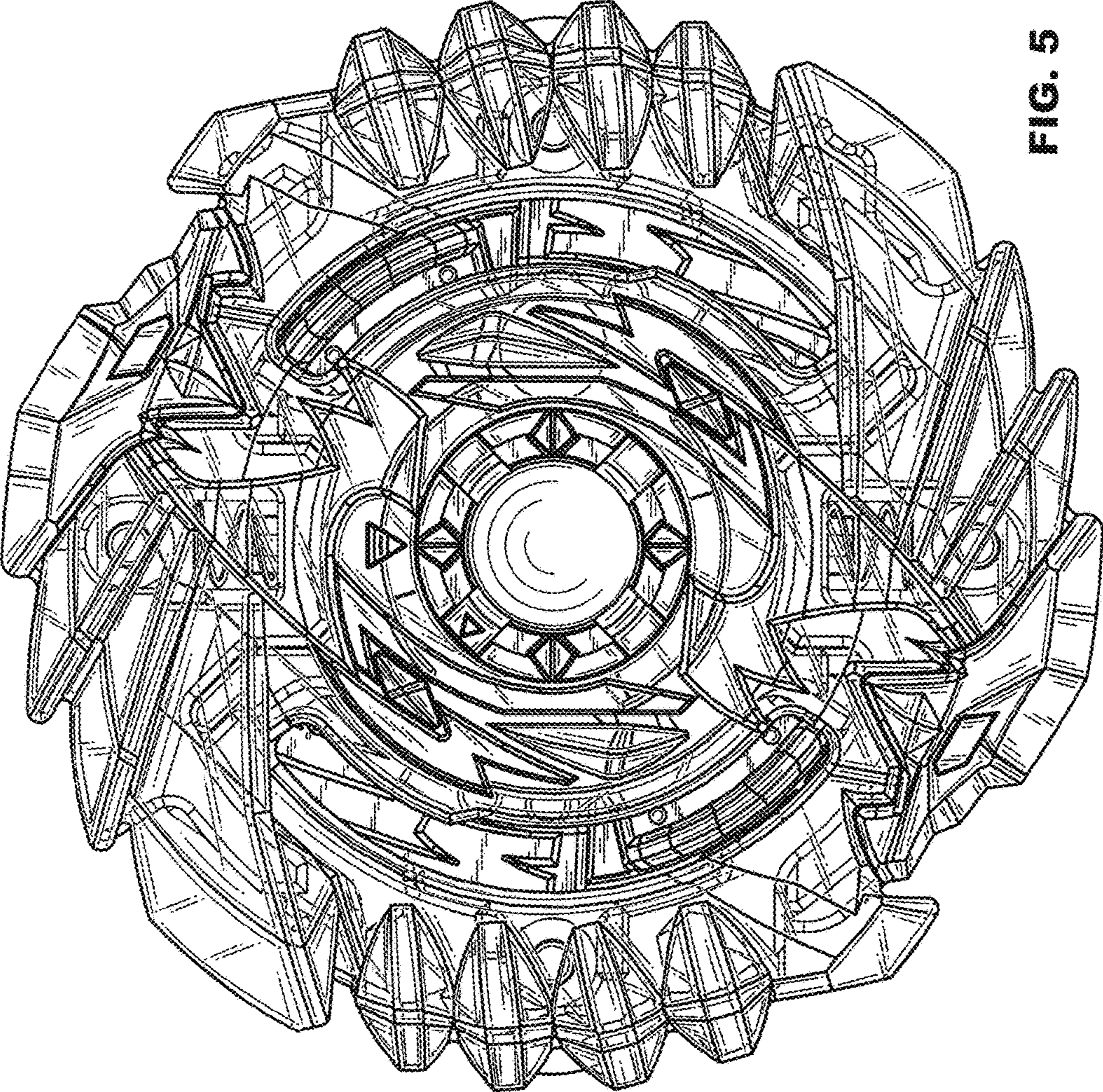


FIG. 5

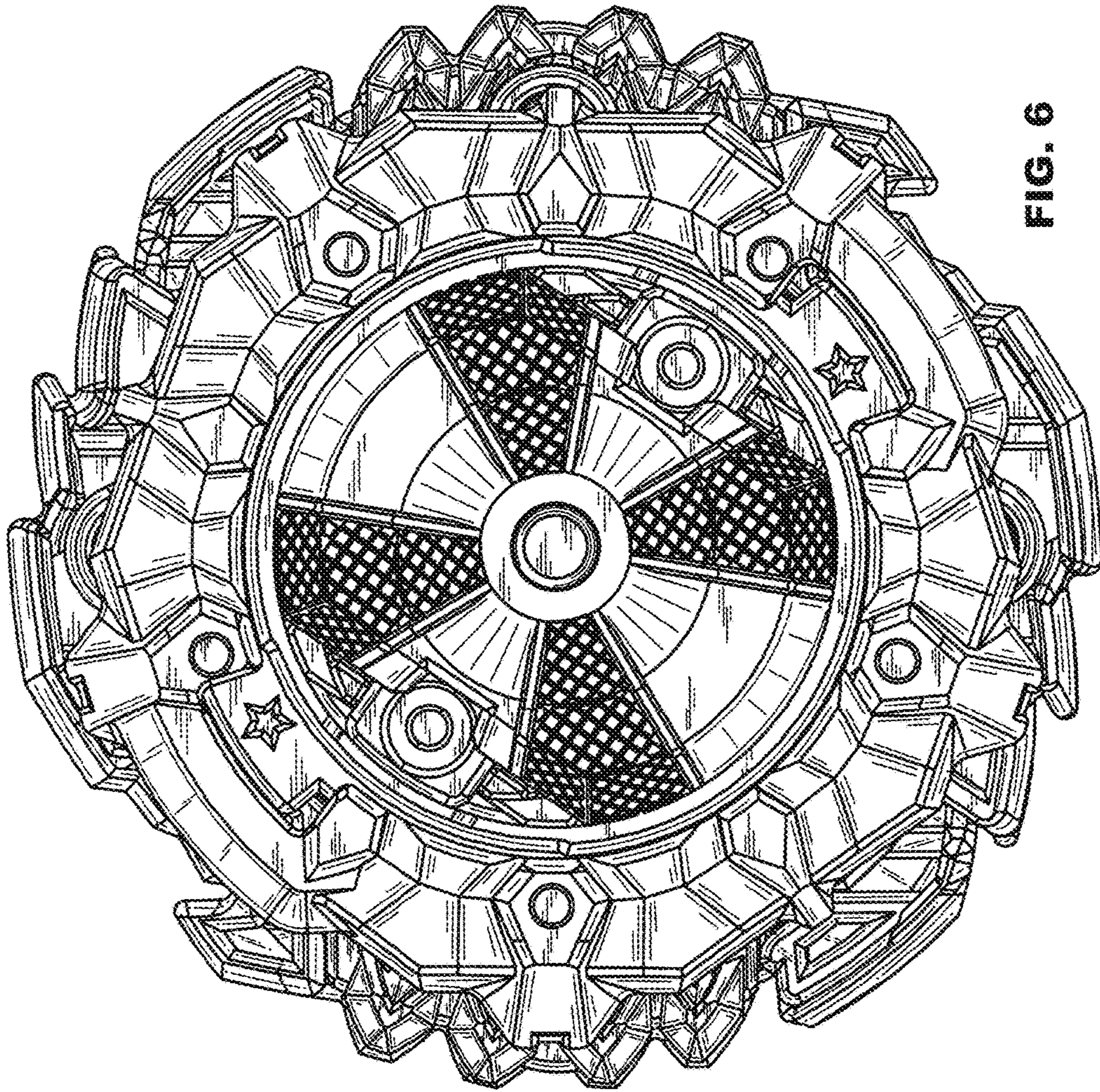


FIG. 6

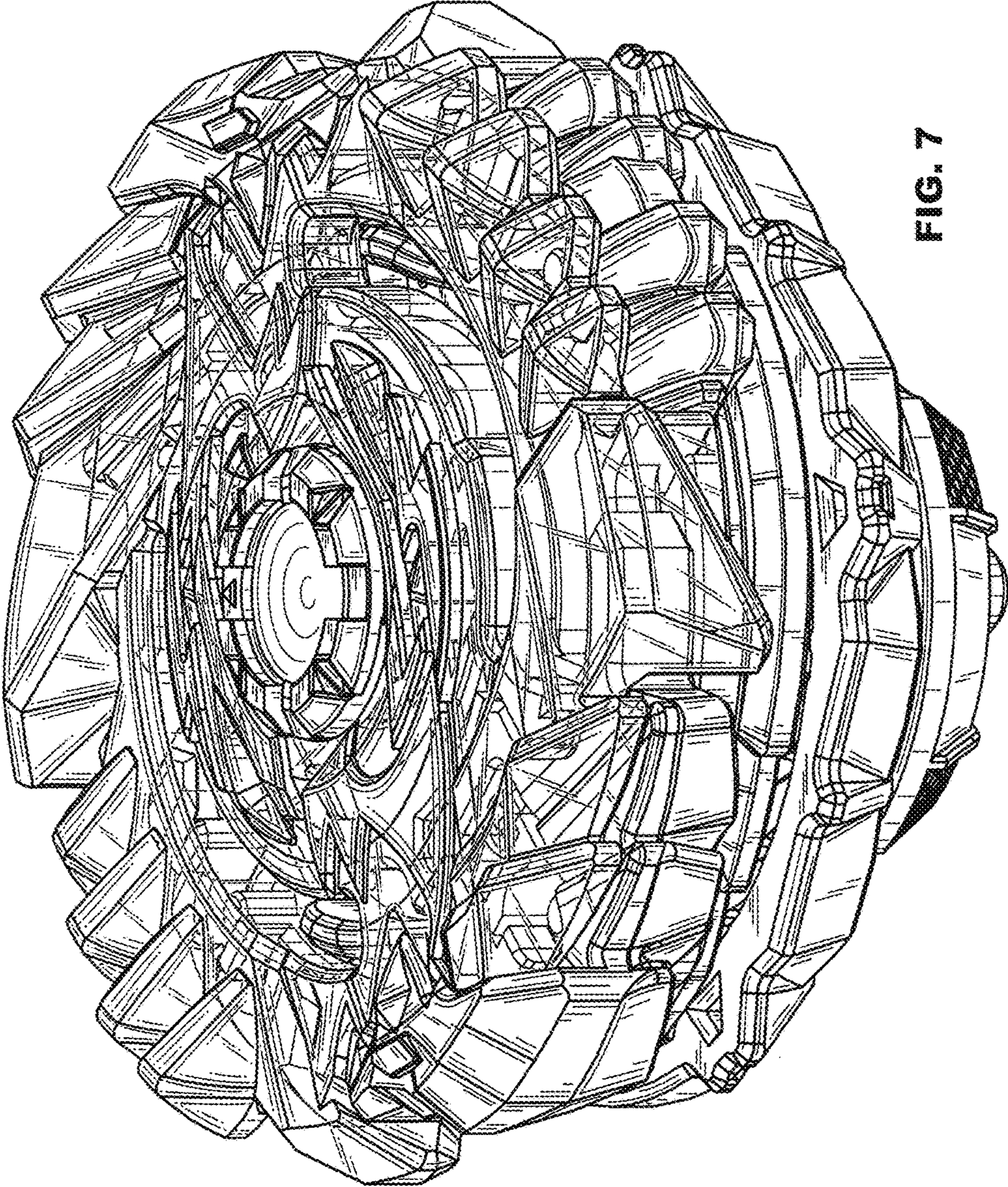


FIG. 7

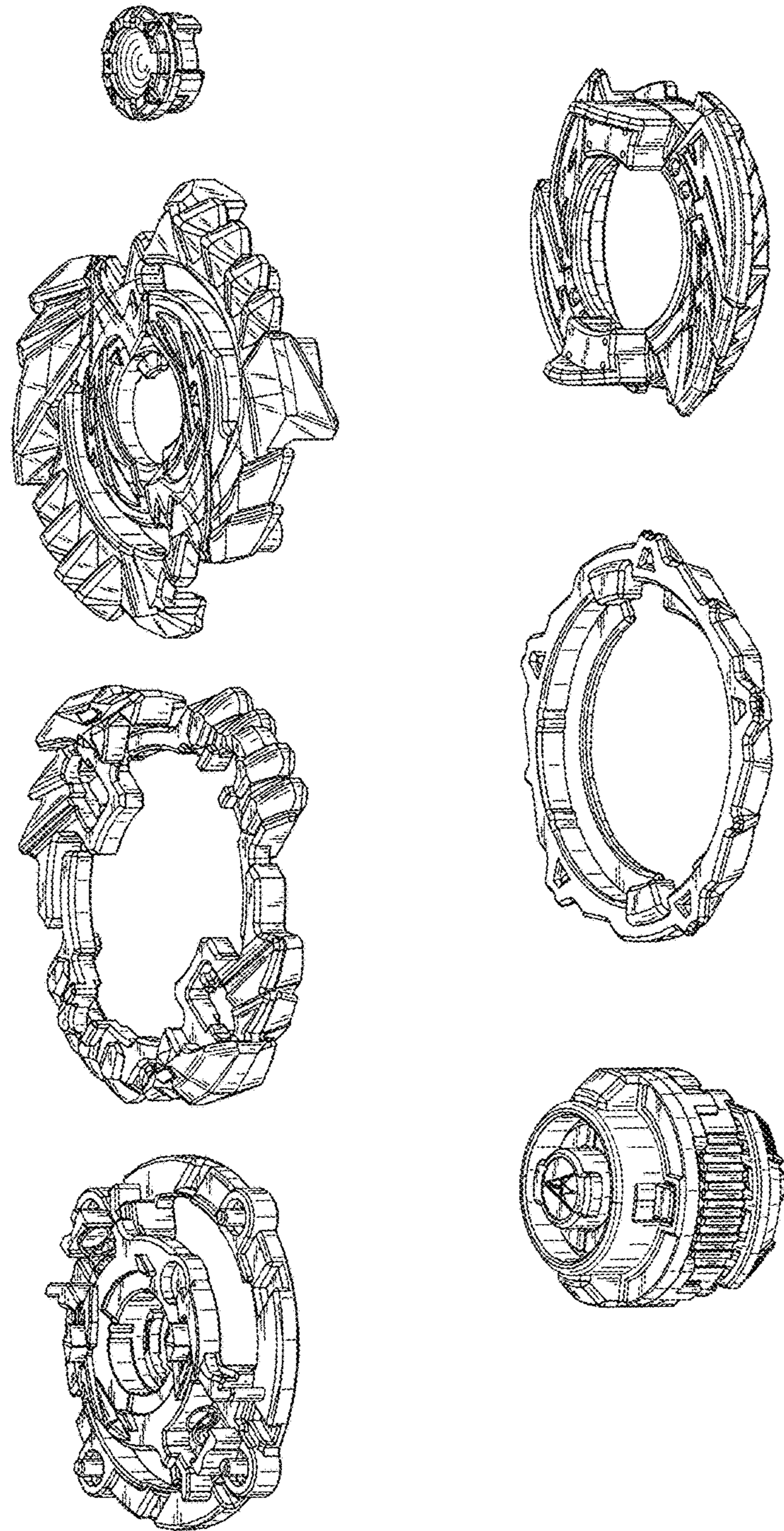


FIG. 8

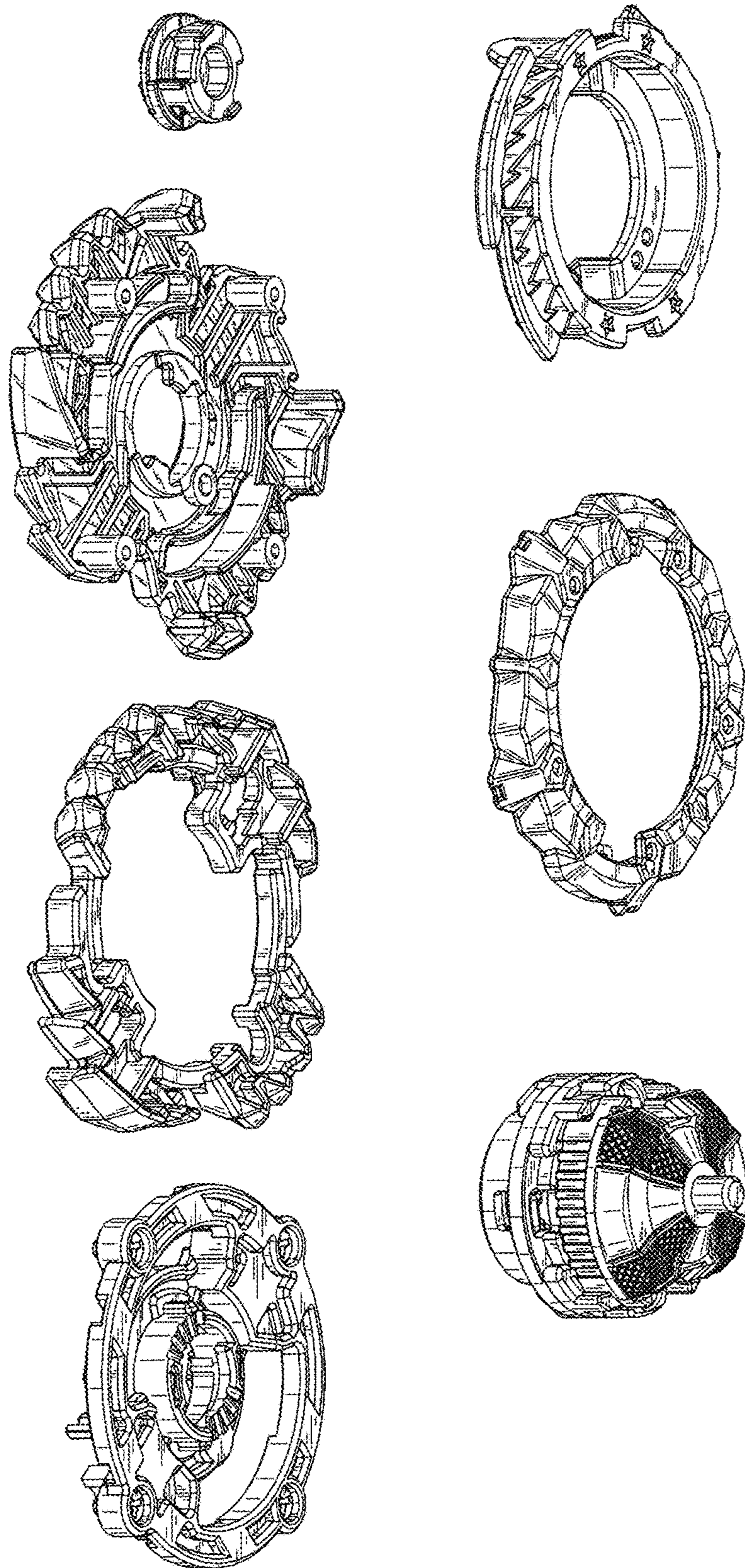


FIG. 9