



US00D835206S

(12) **United States Design Patent** (10) **Patent No.:** **US D835,206 S**
Lin et al. (45) **Date of Patent:** **** Dec. 4, 2018**

(54) **SCOOTERS**

(71) Applicant: **NINEBOT (BEIJING) TECH. CO., LTD**, Beijing (CN)

(72) Inventors: **Ji Lin**, Beijing (CN); **Xingle Li**, Beijing (CN); **Yi Lou**, Beijing (CN)

(73) Assignee: **NINEBOT (BEIJING) TECH. CO., LTD**, Beijing (CN)

(**) Term: **15 Years**

(21) Appl. No.: **35/503,019**

(22) Filed: **Nov. 24, 2016**

(80) **Hague Agreement Data**

Int. Filing Date: **Nov. 24, 2016**
Int. Reg. No.: **DM/095042**
Int. Reg. Date: **Nov. 24, 2016**
Int. Reg. Pub. Date: **May 26, 2017**

(30) **Foreign Application Priority Data**

May 25, 2016 (CN) 2016 3 0201655

(51) **LOC (11) Cl.** **21-01**

(52) **U.S. Cl.**
USPC **D21/423**

(58) **Field of Classification Search**
USPC D21/423; D12/192
See application file for complete search history.

(56) **References Cited**

U.S. PATENT DOCUMENTS

D435,873 S 1/2001 Lee
D443,001 S 5/2001 Ouboter
D444,824 S 7/2001 Udwin
D446,259 S 8/2001 Udwin
D452,284 S 12/2001 McGinnis
D467,625 S 12/2002 Clark

D645,522 S * 9/2011 Powers D21/423
D654,963 S 2/2012 Powers
D671,600 S 11/2012 Horne
D692,963 S 11/2013 Radtke
D717,881 S 11/2014 Radtke et al.
D728,033 S 4/2015 O'Connell
D736,324 S * 8/2015 Lu D21/423
D738,435 S 9/2015 O'Connell
D772,990 S * 11/2016 Allais D21/423
D774,145 S * 12/2016 Hadley D21/423
D777,844 S * 1/2017 O'Connell D21/423
D783,724 S * 4/2017 Pickavance D12/192
D806,176 S * 12/2017 Peng D21/423

(Continued)

Primary Examiner — George D. Kirschbaum
(74) *Attorney, Agent, or Firm* — Margaret Polson; Polson Intellectual Property Law, PC

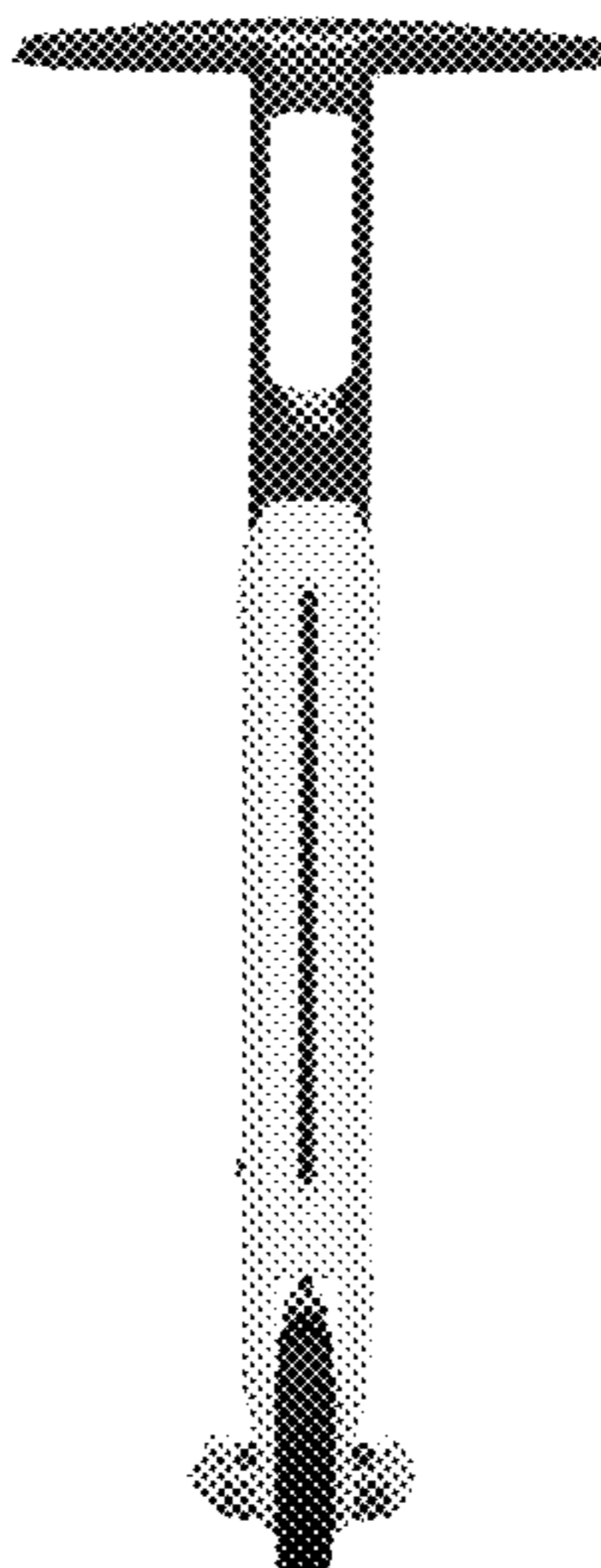
(57) **CLAIM**

The ornamental design for a scooter, as shown and described.

DESCRIPTION

- 1.-2. Scooters
- 1.1 : Front
- 1.2 : Back
- 1.3 : Left
- 1.4 : Right
- 1.5 : Top
- 1.6 : Bottom
- 1.7 : Perspective
- 2.1 : Front
- 2.2 : Back
- 2.3 : Left
- 2.4 : Right
- 2.5 : Top
- 2.6 : Bottom
- 2.7 : Perspective
- 2.8 : Perspective of folding state
- 2.9 : Perspective of folding state

1 Claim, 16 Drawing Sheets



(56)

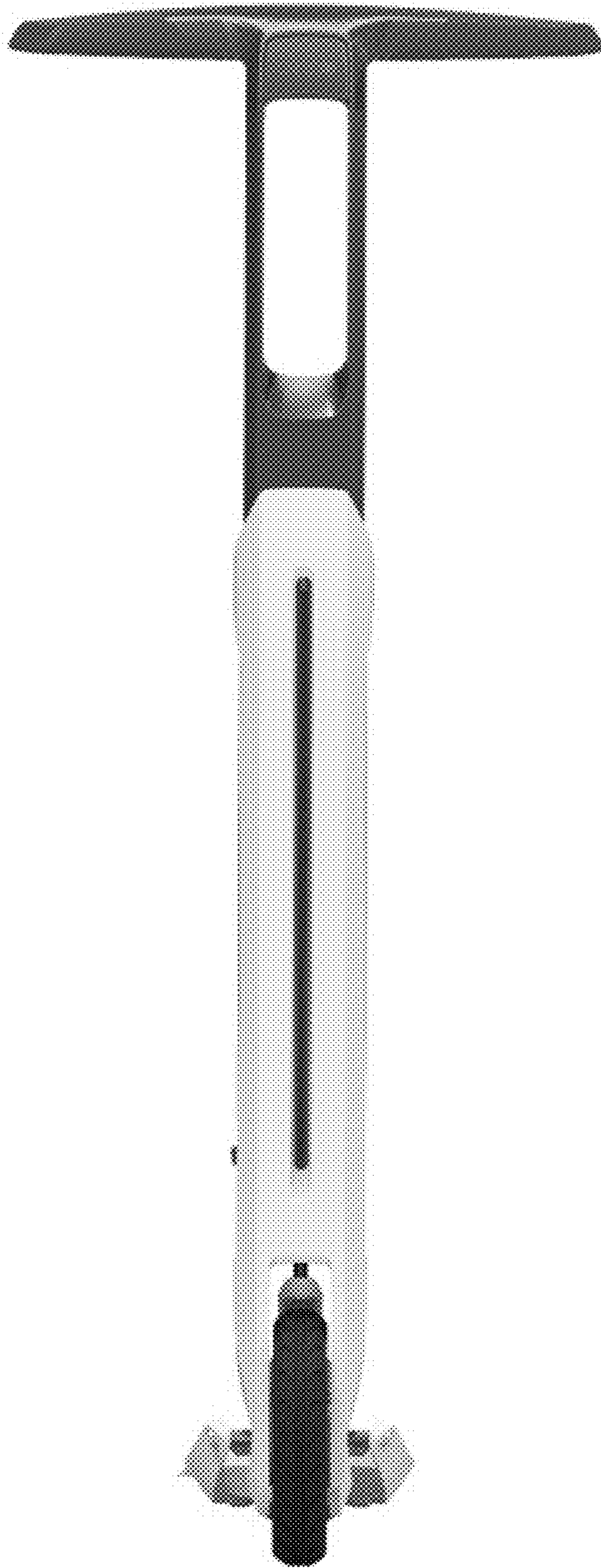
References Cited

U.S. PATENT DOCUMENTS

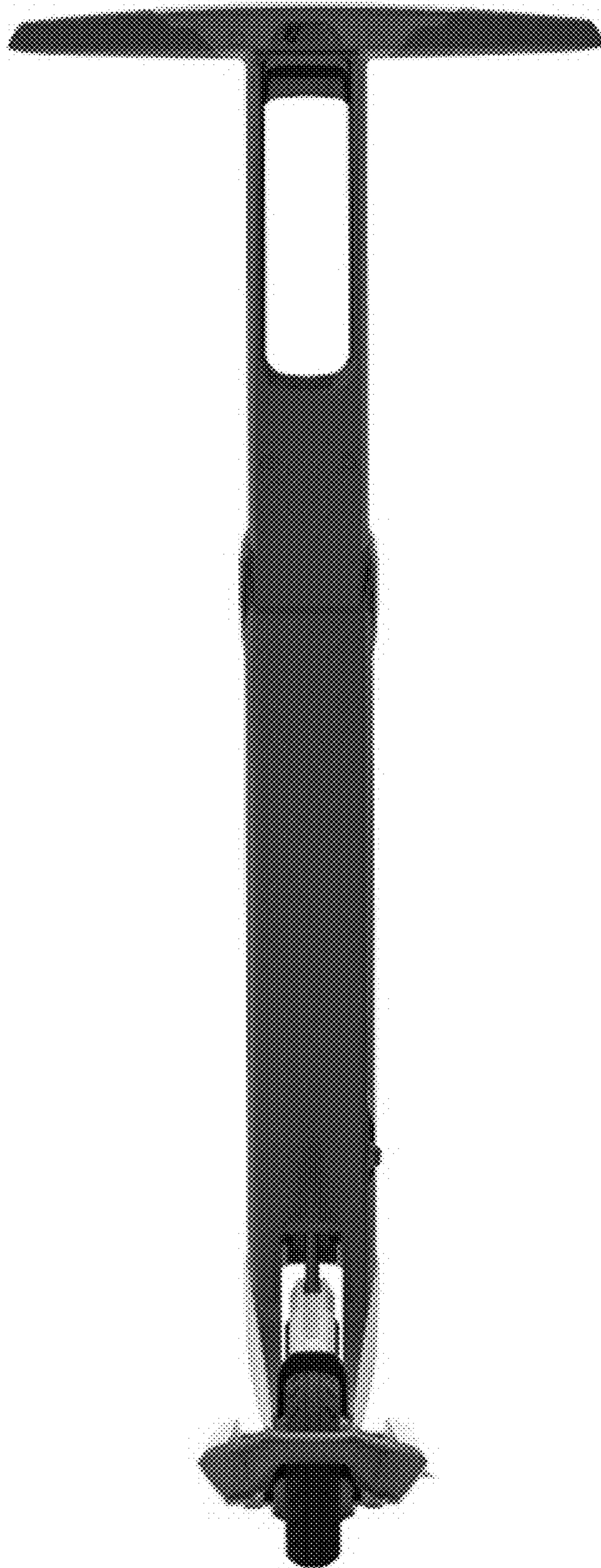
D810,836 S *	2/2018	Hadley	D21/423
D811,489 S *	2/2018	Hadley	D21/423
D815,215 S *	4/2018	Desberg	D21/423
D818,541 S	5/2018	Huang	
2016/0096578 A1	4/2016	Liu Shun Wen	

* cited by examiner

1.1



1.2



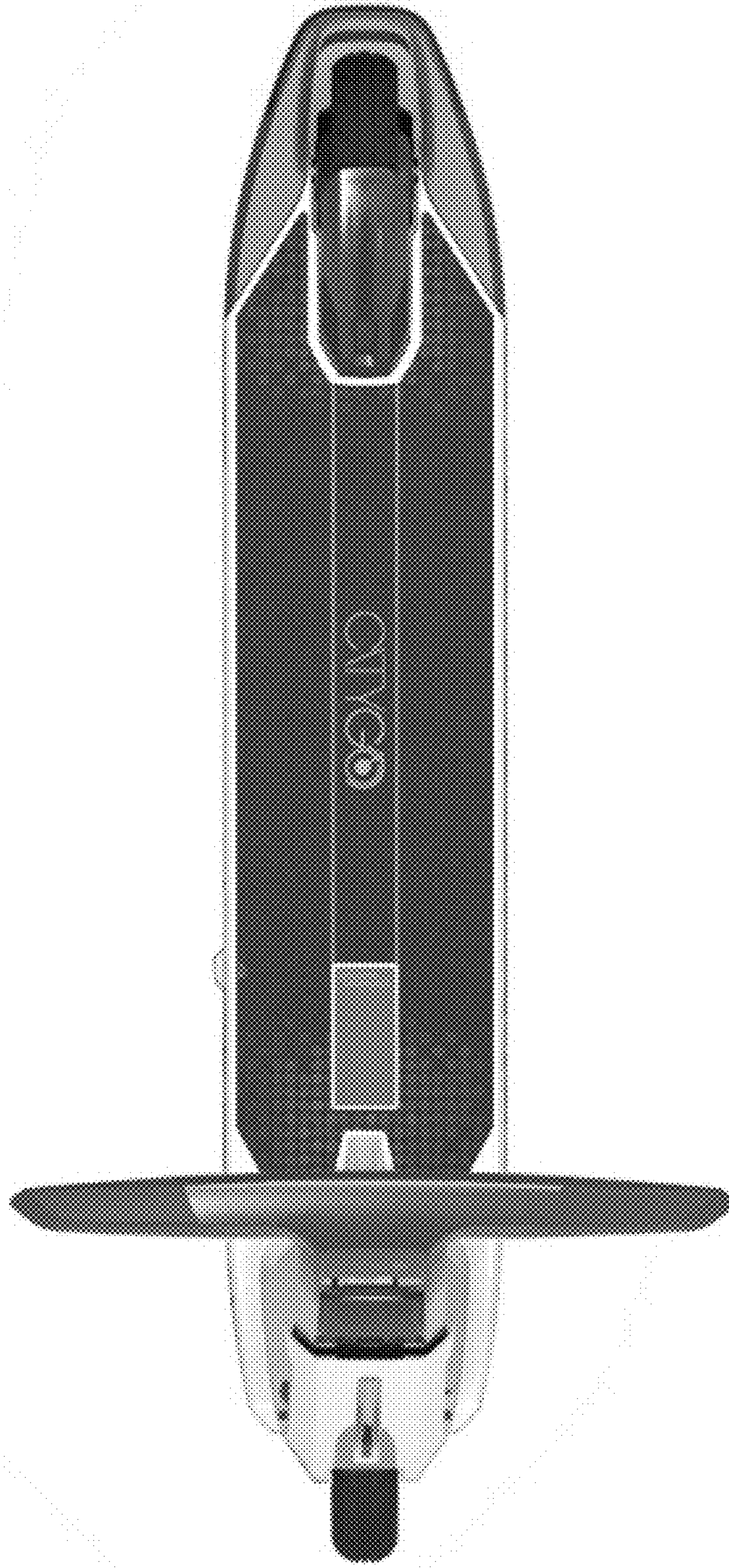
1.3



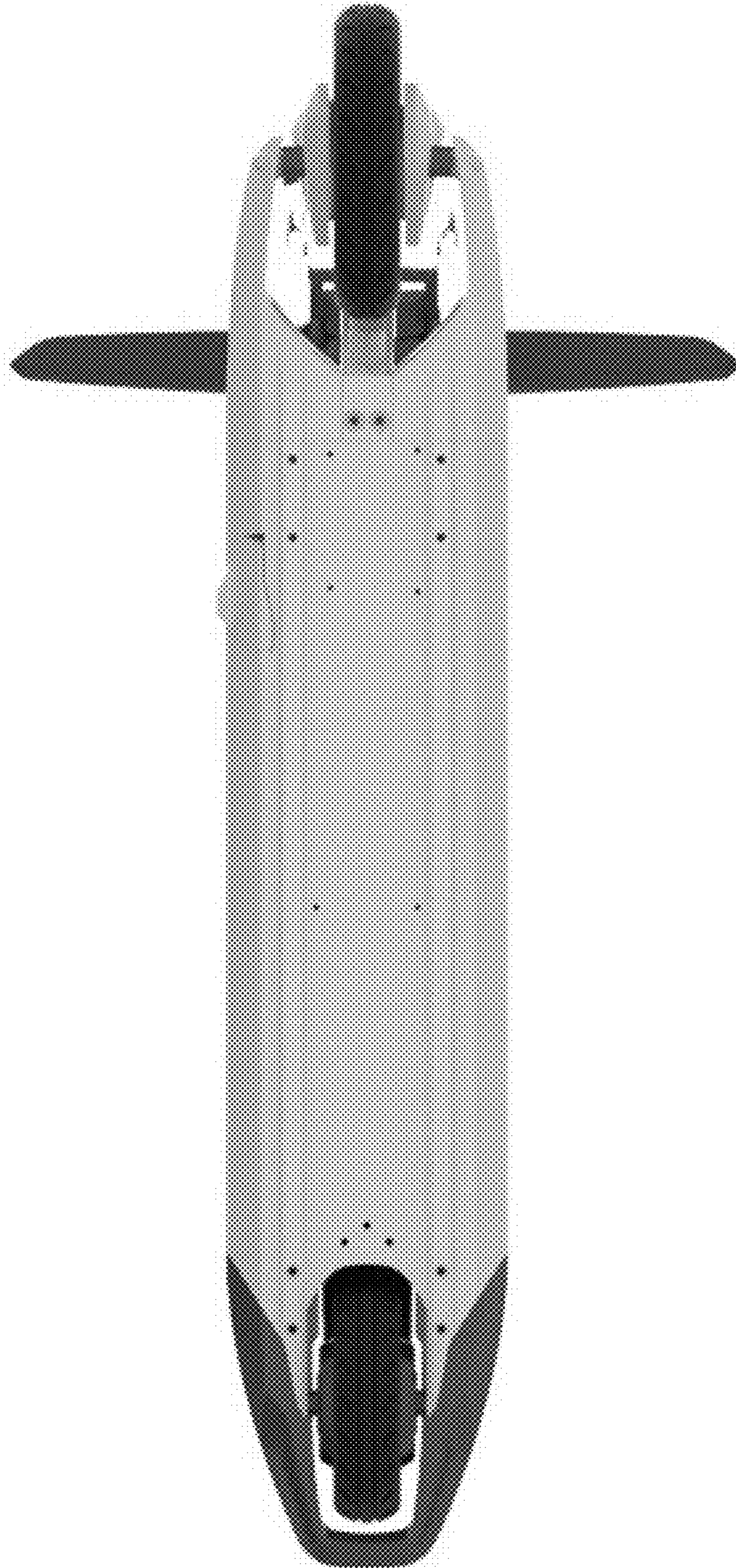
1.4



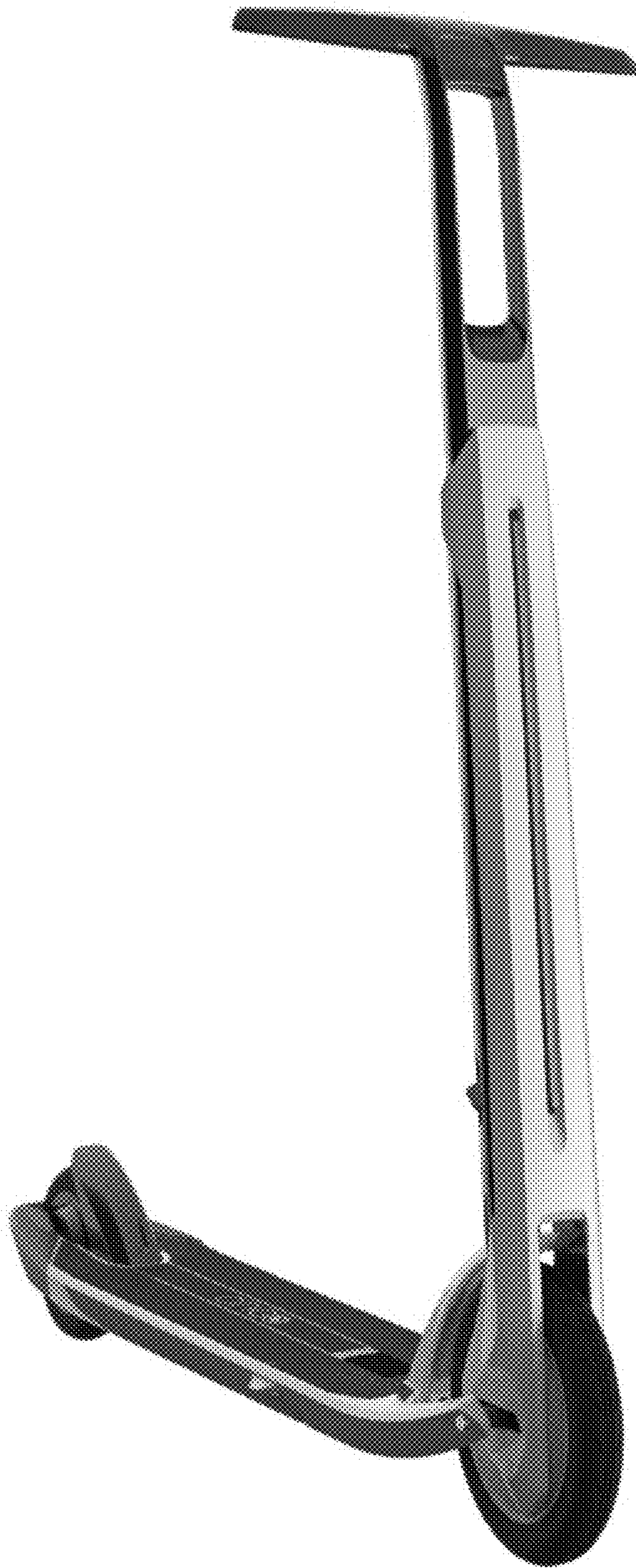
1.5



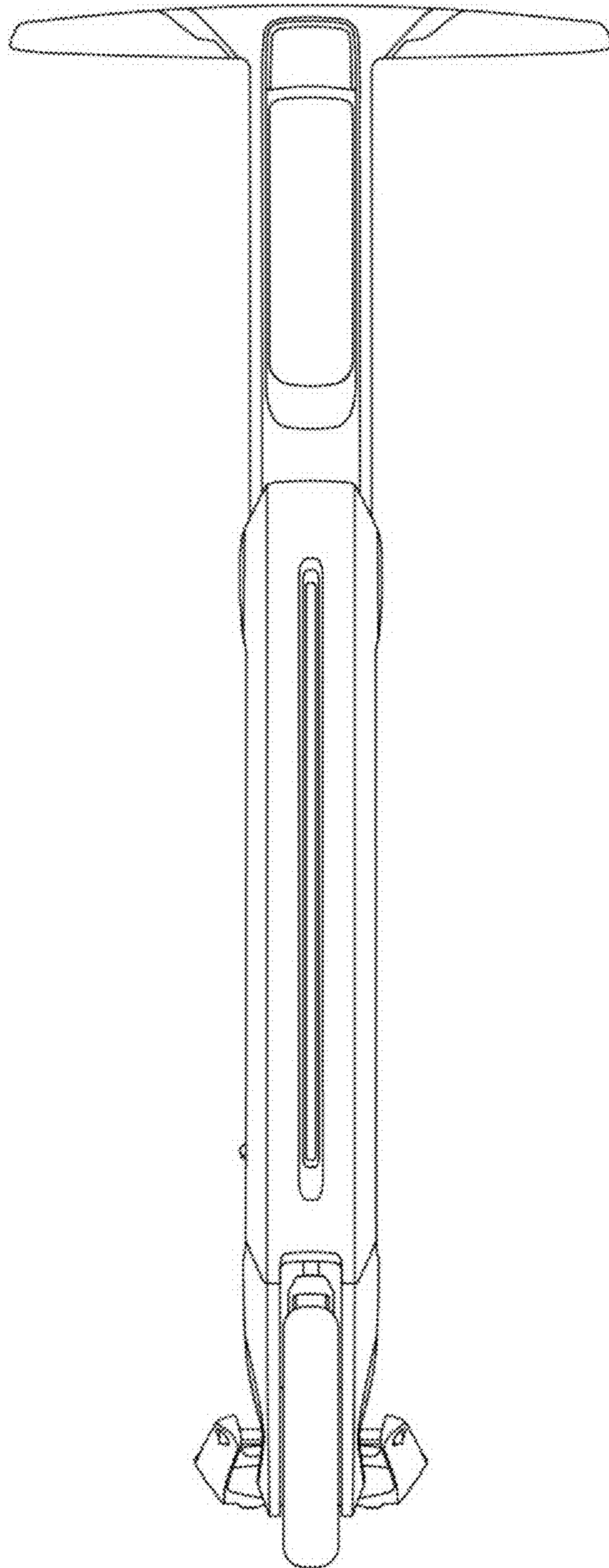
1.6



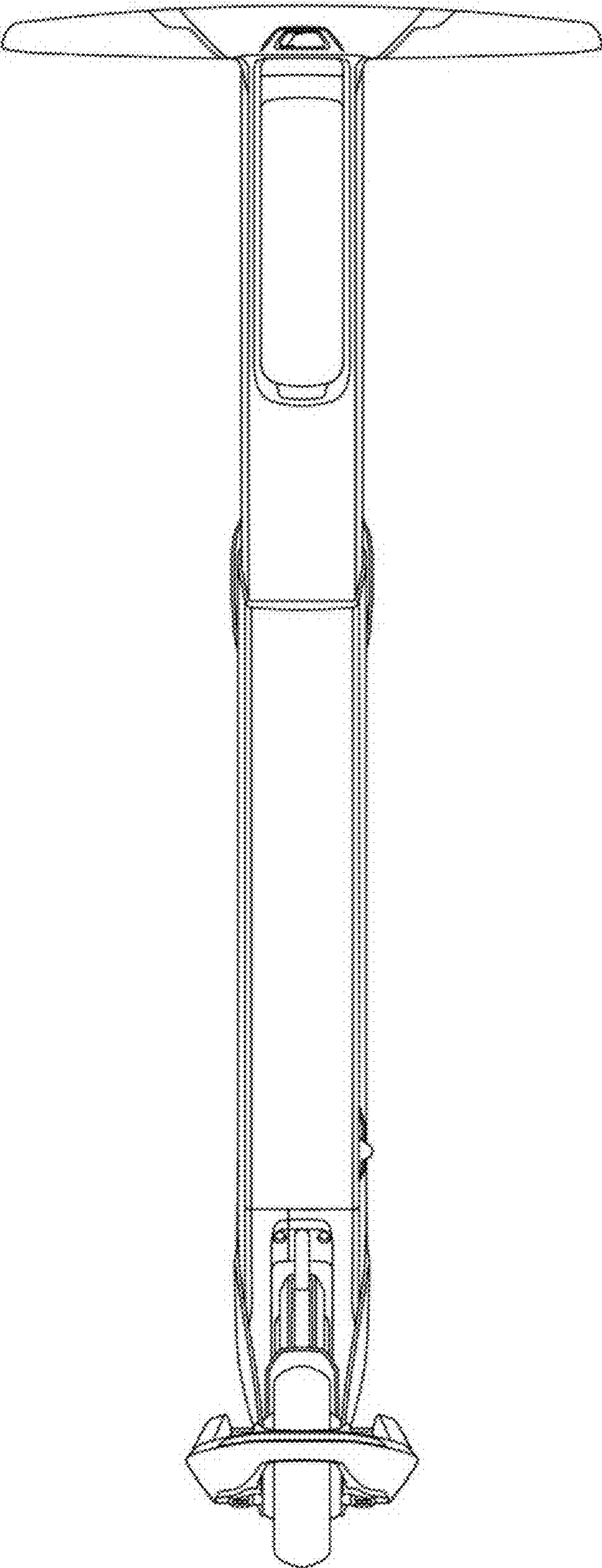
1.7



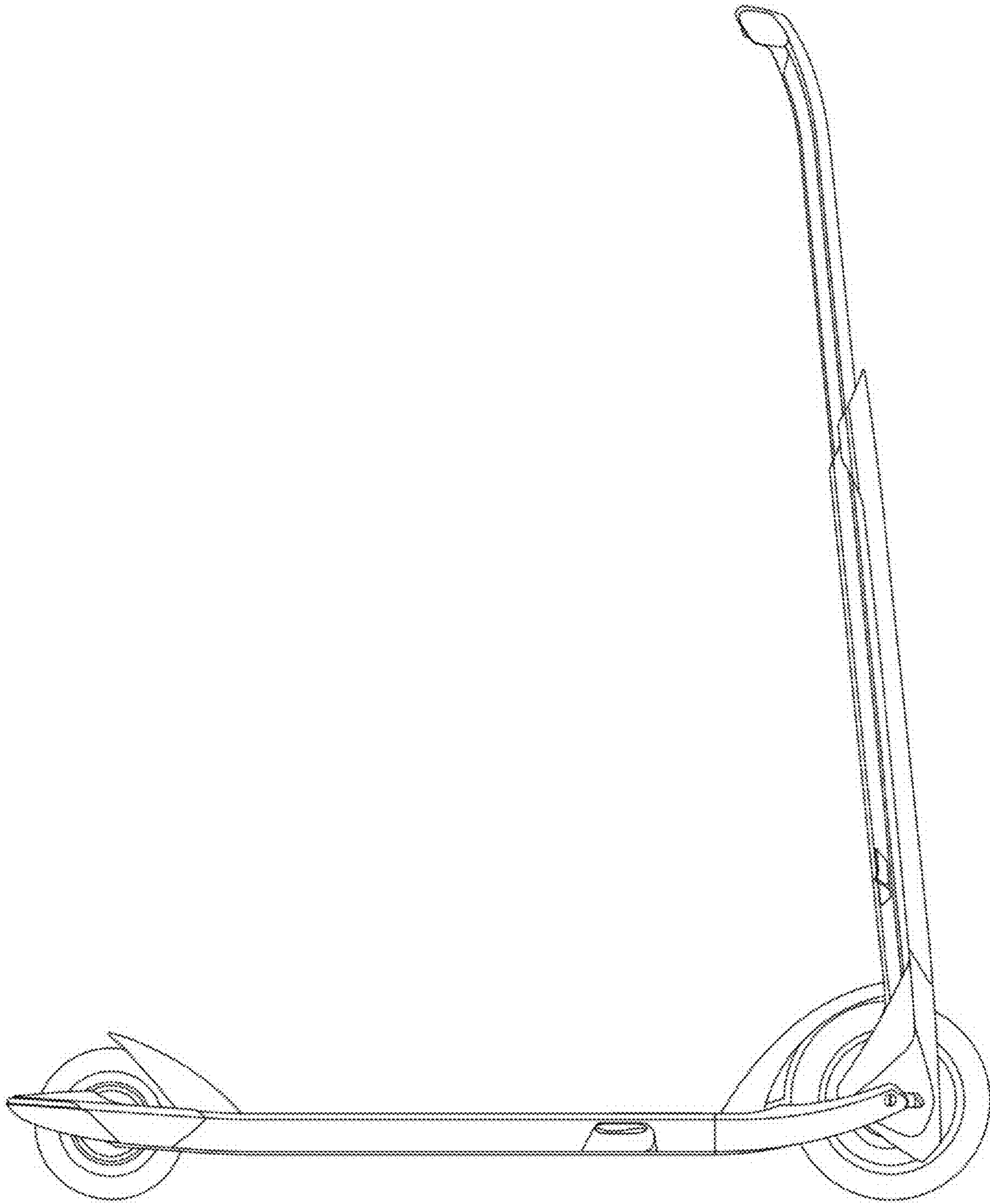
2.1



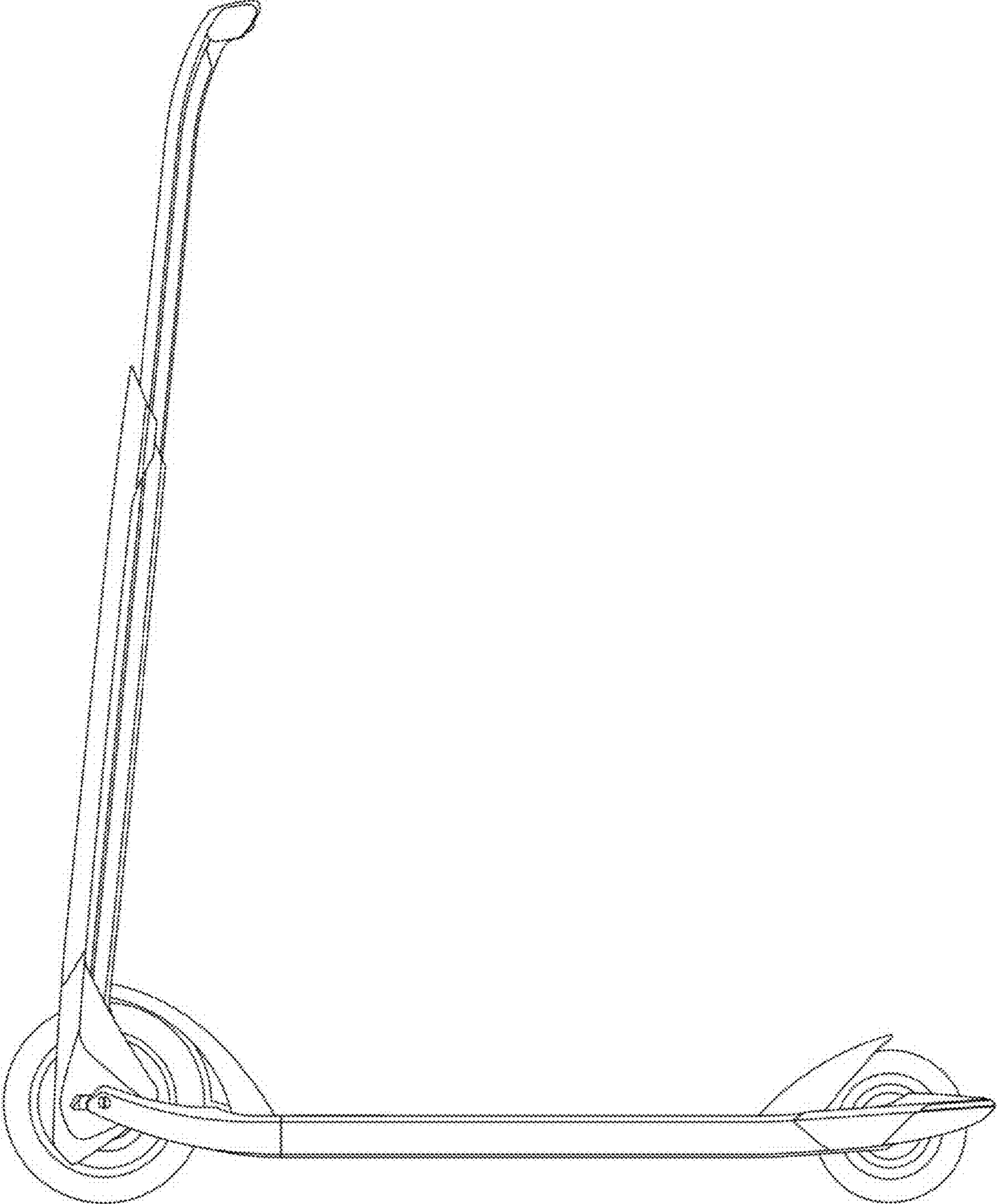
2.2



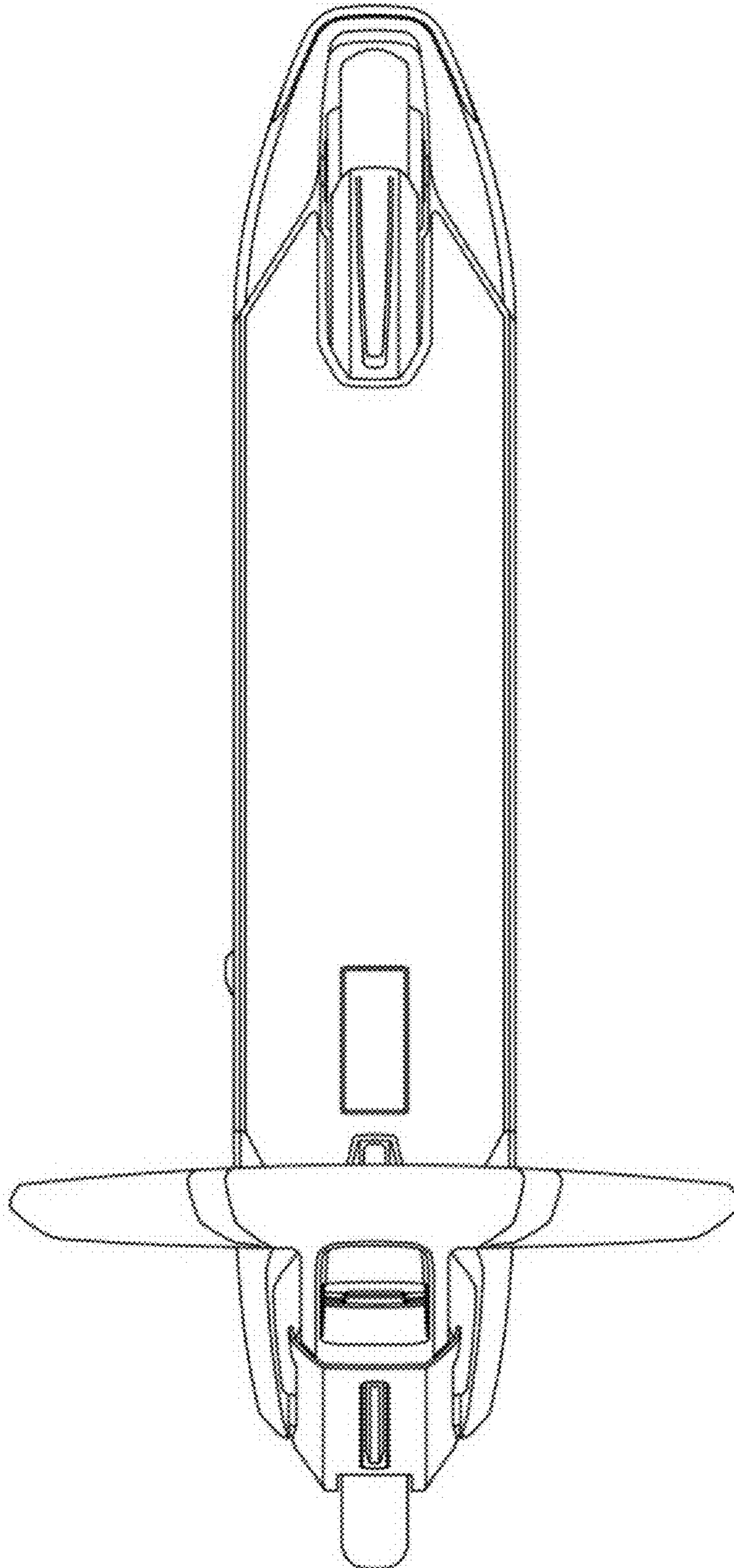
2.3



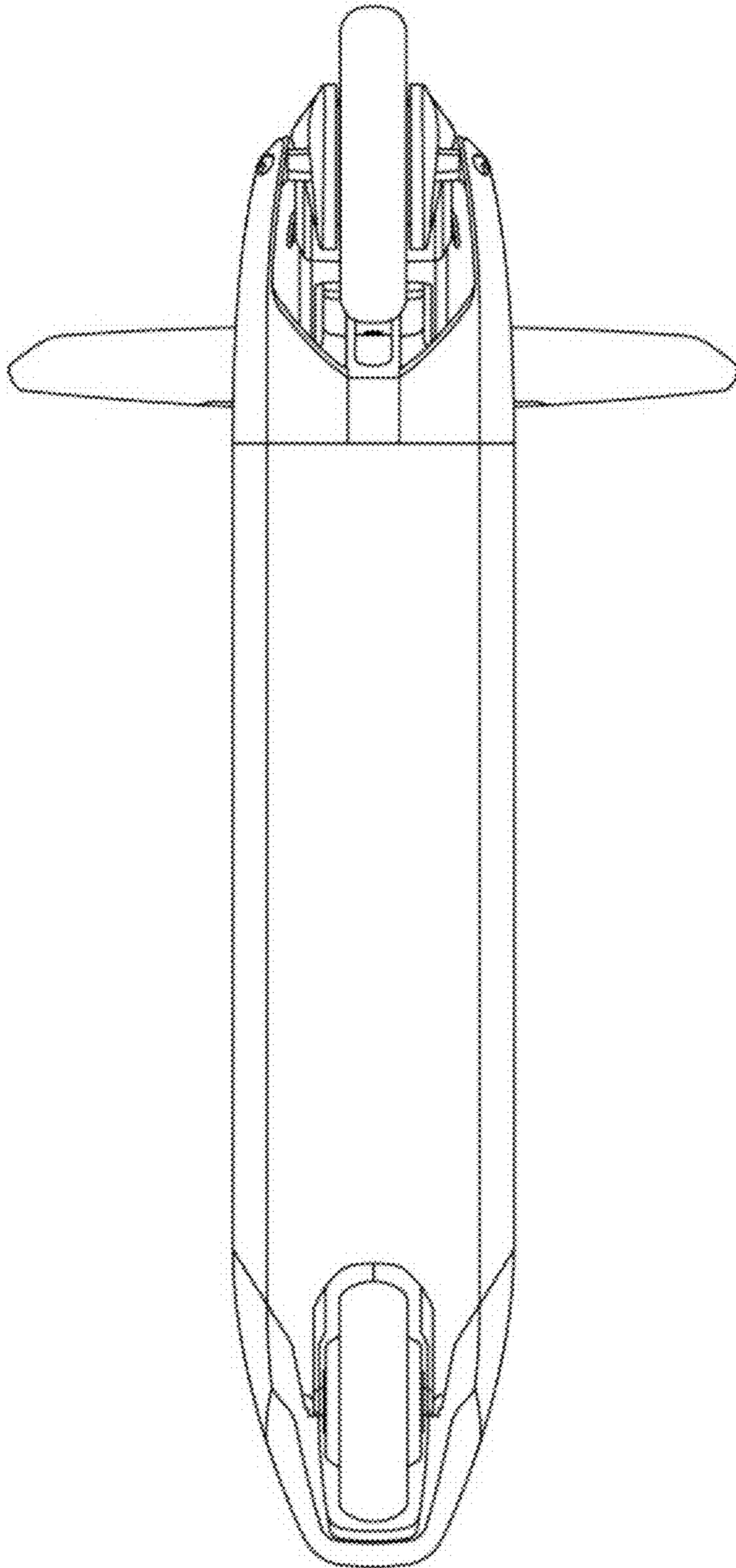
2.4



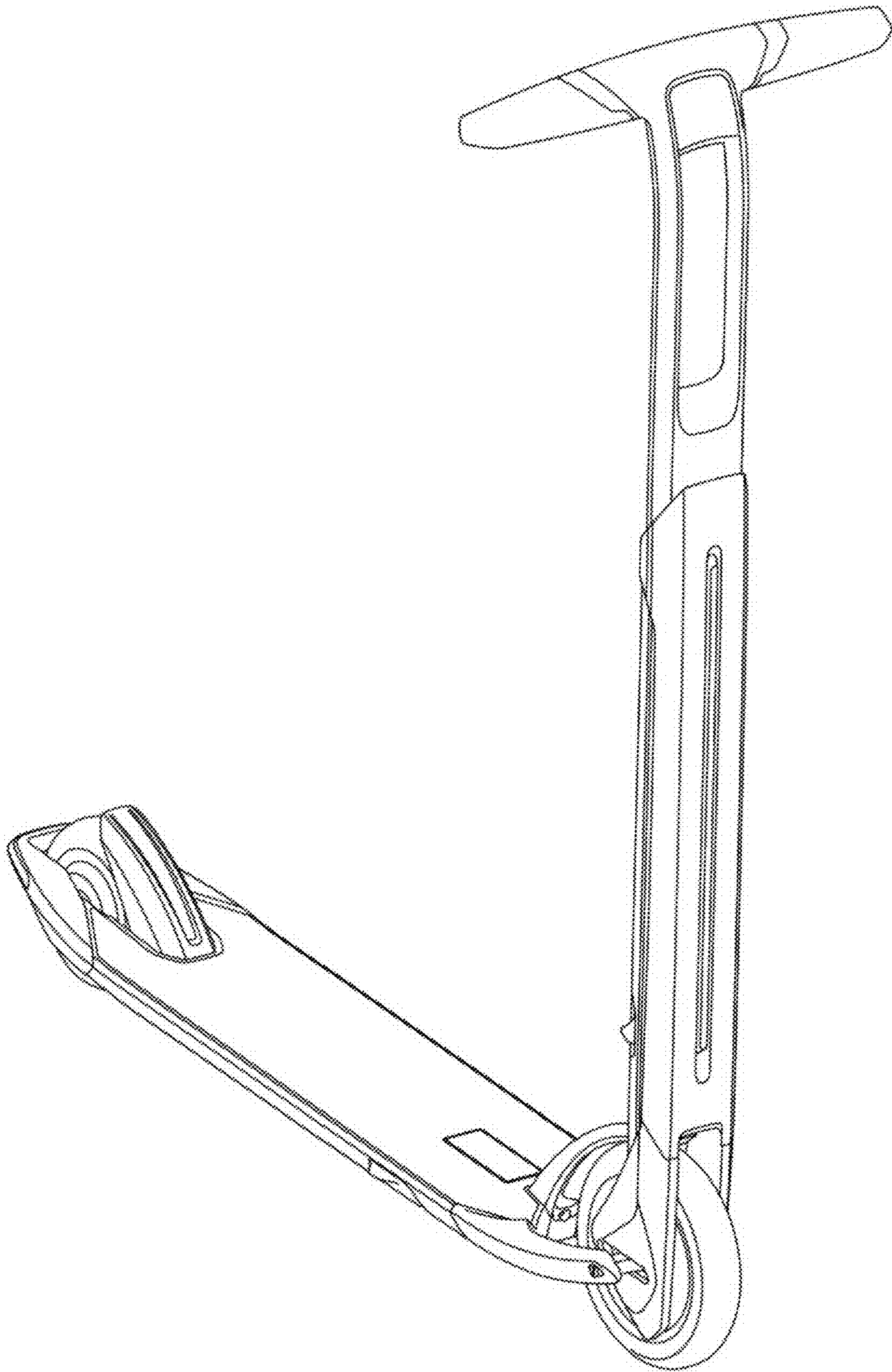
2.5



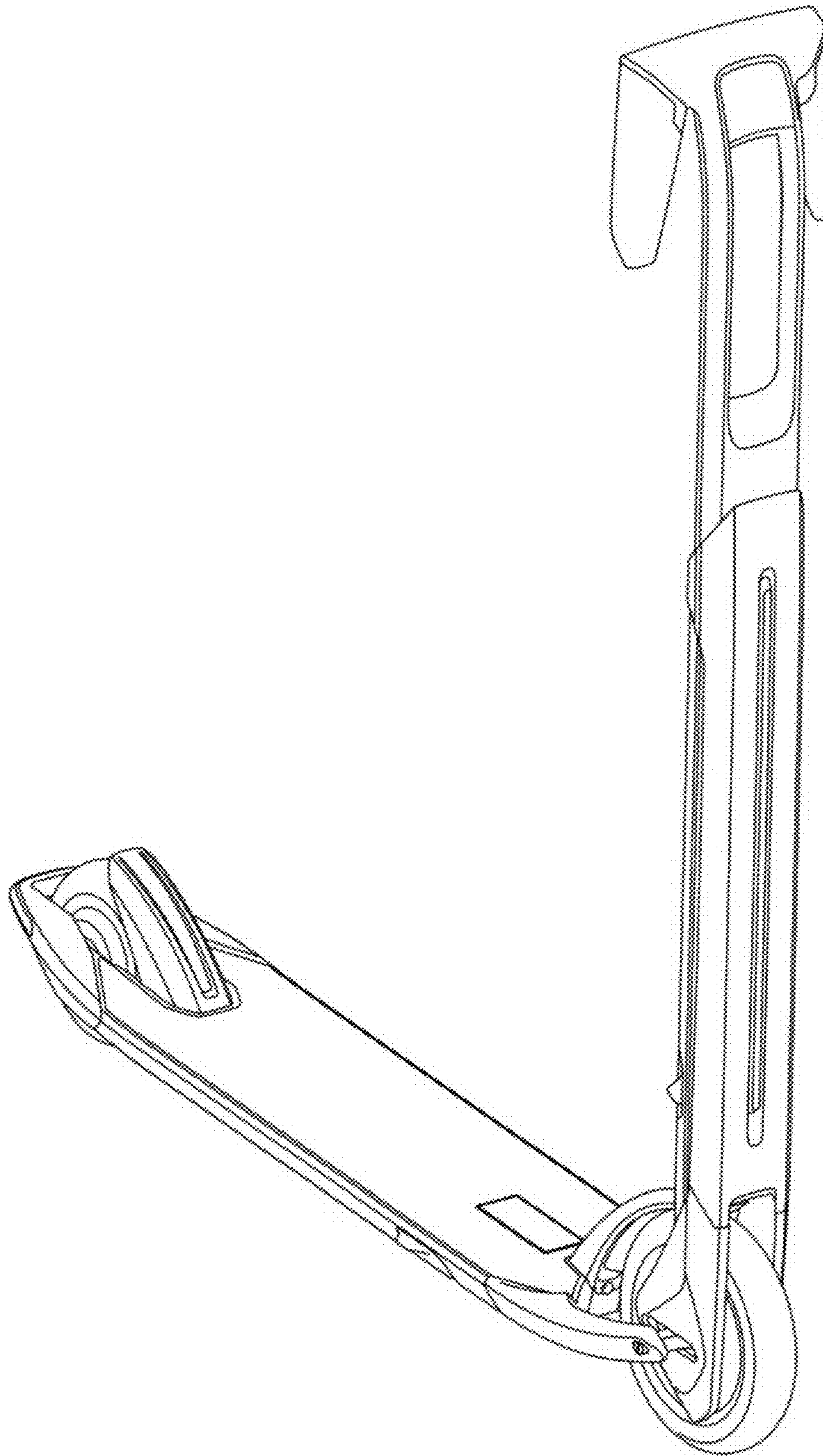
2.6



2.7



2.8



2.9

