



US00D835205S

(12) **United States Design Patent**
Yao

(10) **Patent No.:** **US D835,205 S**
(45) **Date of Patent:** **** Dec. 4, 2018**

(54) **SCOOTER**

(71) Applicant: **Yuman Yao**, Jiangsu (CN)

(72) Inventor: **Yuman Yao**, Jiangsu (CN)

(**) Term: **15 Years**

(21) Appl. No.: **29/619,434**

(22) Filed: **Sep. 29, 2017**

(30) **Foreign Application Priority Data**

Jul. 4, 2017 (CN) 2017 3 0289426

(51) **LOC (11) Cl.** **21-01**

(52) **U.S. Cl.**
USPC **D21/423**

(58) **Field of Classification Search**
USPC D21/419, 421, 423, 426-428, 435,
D21/668-671, 760, 765, 771; D12/1, 8,
D12/108, 112, 113; 280/8, 14.21, 14.25,
280/14.26, 87.041, 87.042, 200, 214, 220,
280/221, 239, 263, 288.1, 288.2, 288.4,
280/809; 180/180, 181, 227, 228
CPC . B62K 3/002; B62K 9/00; B62K 9/02; B62K
13/00; B62K 2202/00
See application file for complete search history.

(56) **References Cited**

U.S. PATENT DOCUMENTS

D475,093 S * 5/2003 Furter D21/423
D665,034 S * 8/2012 Grossman D21/423

D672,400 S * 12/2012 Pizzi D21/423
D698,868 S * 2/2014 Chan D21/423
8,696,000 B1 * 4/2014 Chen B62K 5/08
280/11.28
D738,435 S * 9/2015 O'Connell D21/423
D755,305 S * 5/2016 Edlauer D21/423
D777,261 S * 1/2017 Desberg D21/423
9,623,930 B2 * 4/2017 Desberg B62K 19/00
D795,354 S * 8/2017 Desberg D21/423
2006/0001227 A1 * 1/2006 Hong B62K 3/002
280/87.041
2015/0166138 A1 * 6/2015 Lovley, II B62K 3/002
180/210

* cited by examiner

Primary Examiner — Cynthia M. Chin

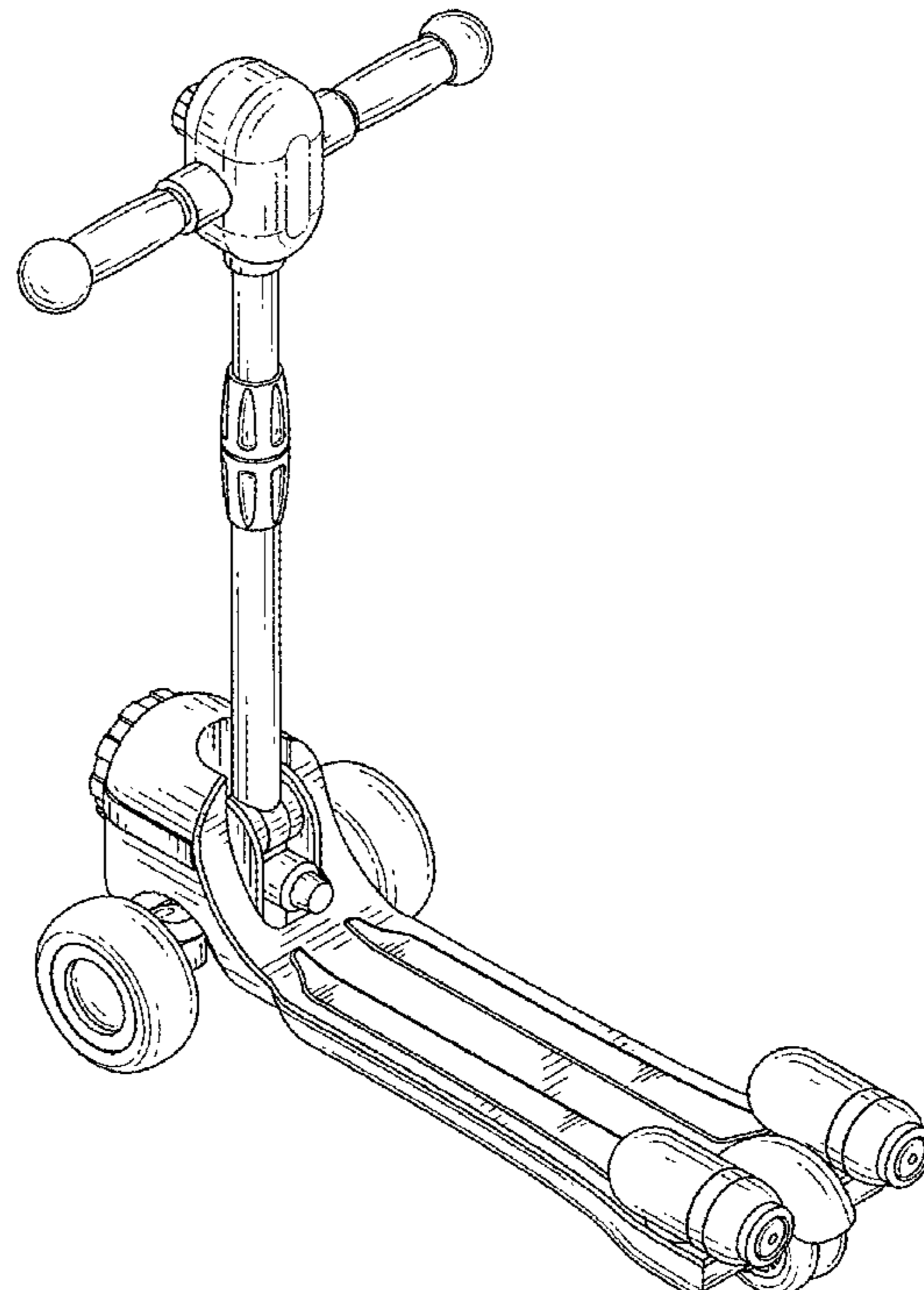
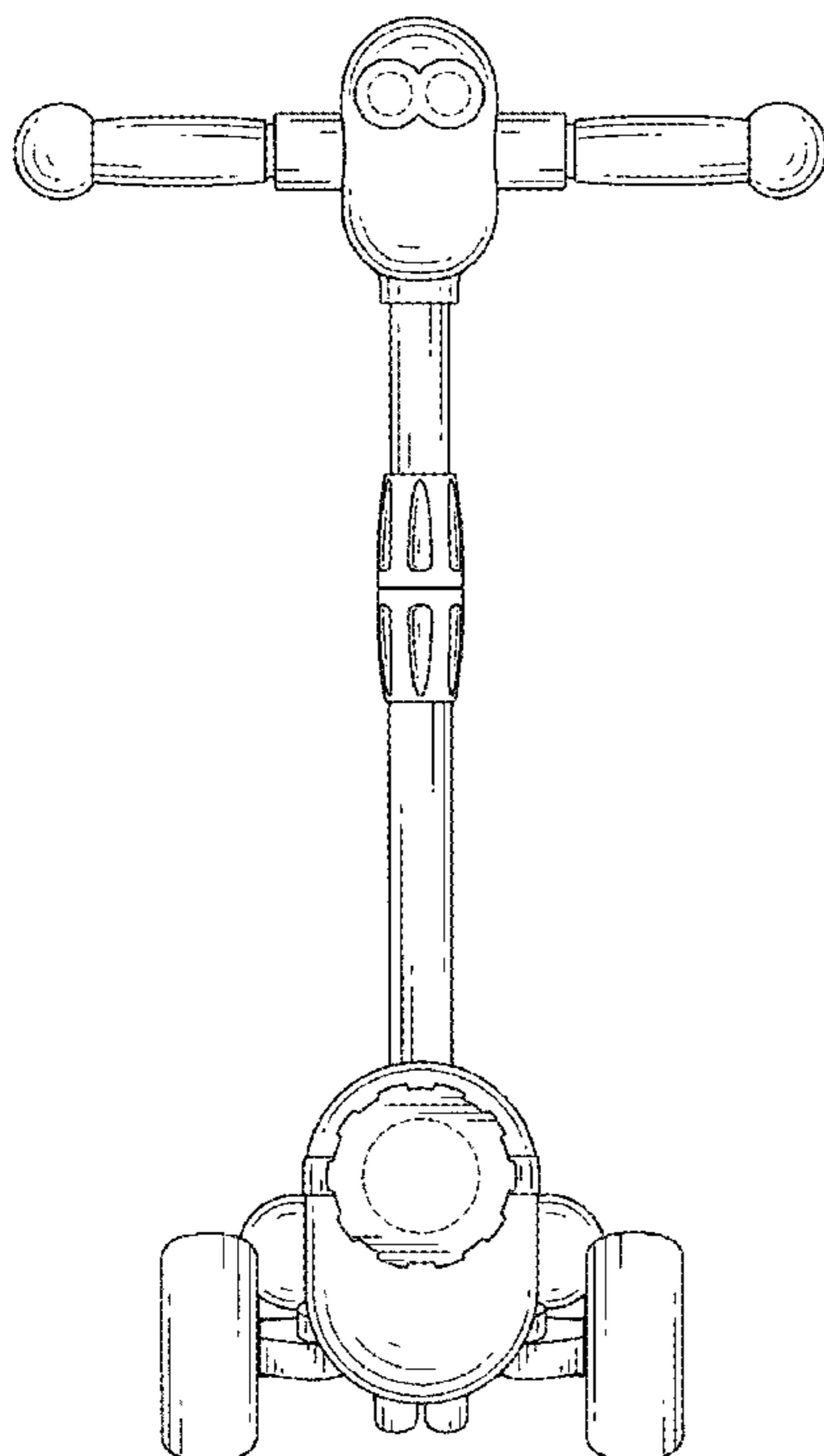
(57) **CLAIM**

The ornamental design for a scooter, as shown and described.

DESCRIPTION

FIG. 1 is a front elevational view of a scooter showing my new design;
FIG. 2 is a rear elevational view thereof;
FIG. 3 is a left side view in reduce scale thereof;
FIG. 4 is a right side view in reduce scale thereof;
FIG. 5 is a top plan view in enlarge scale thereof;
FIG. 6 is a bottom plan view in enlarge scale thereof; and,
FIG. 7 is a perspective view thereof.
The broken lines are for the purpose of illustrating portions of the articles that form no part of the claim.

1 Claim, 7 Drawing Sheets



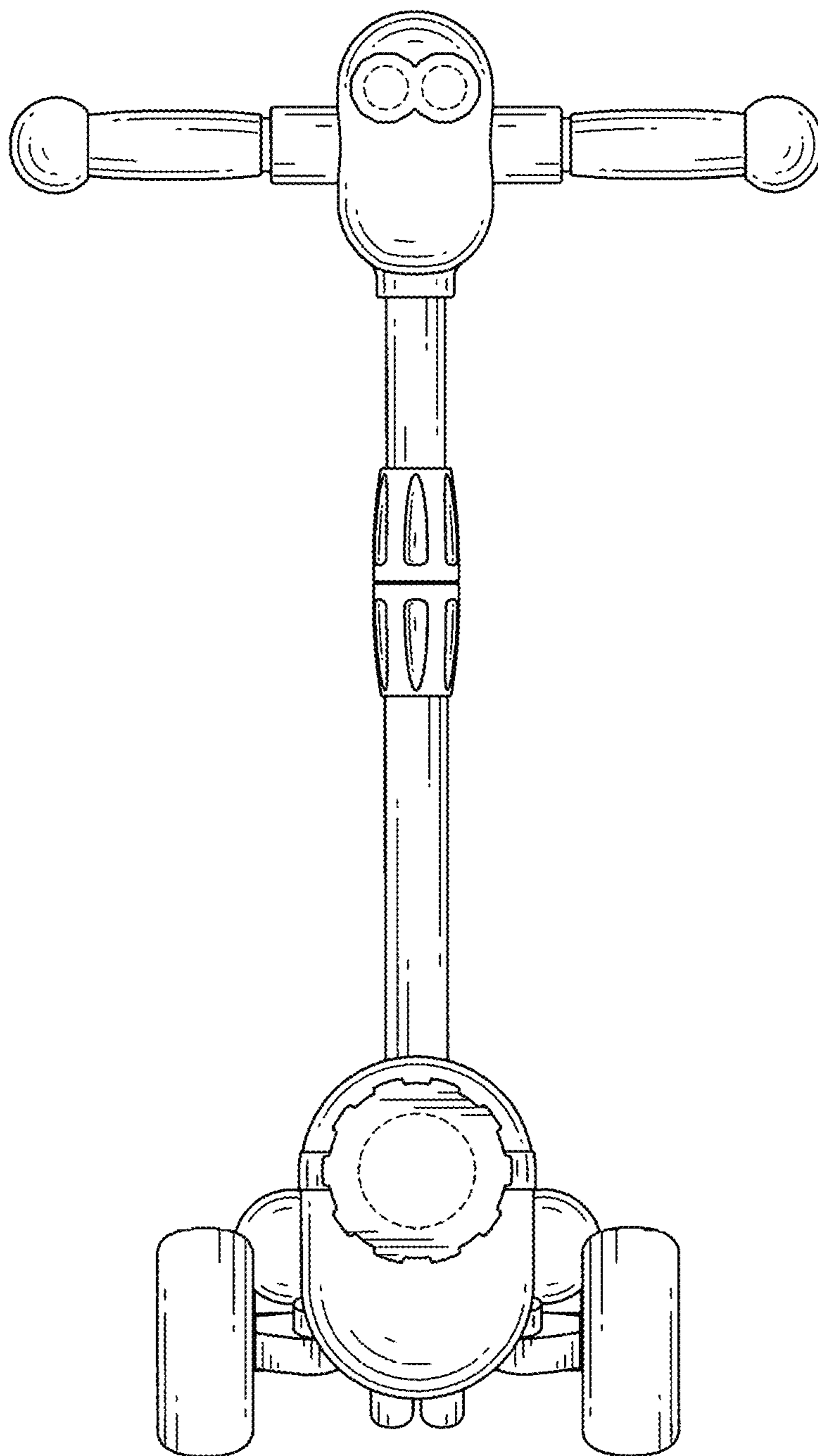


FIG. 1

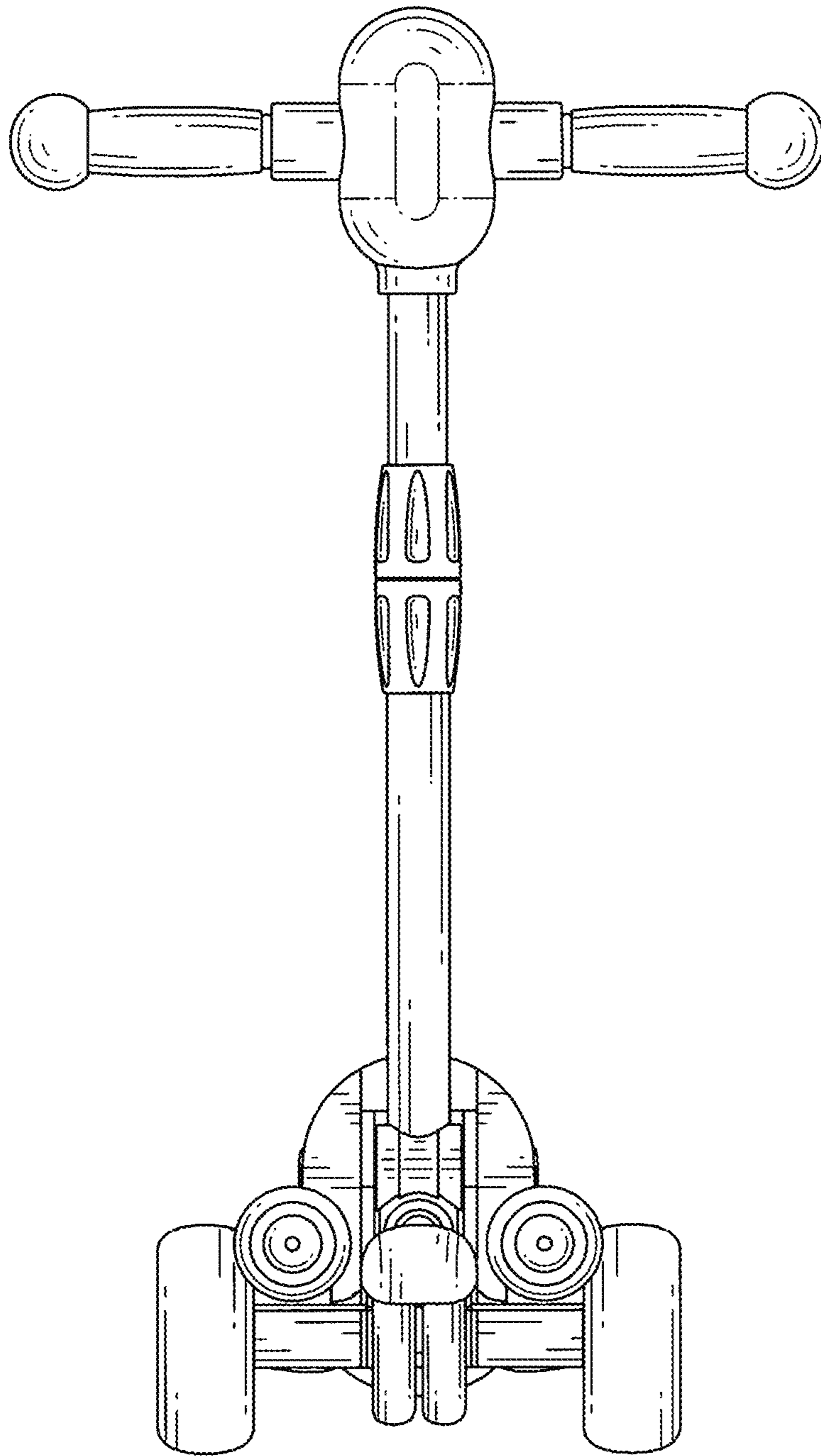


FIG. 2

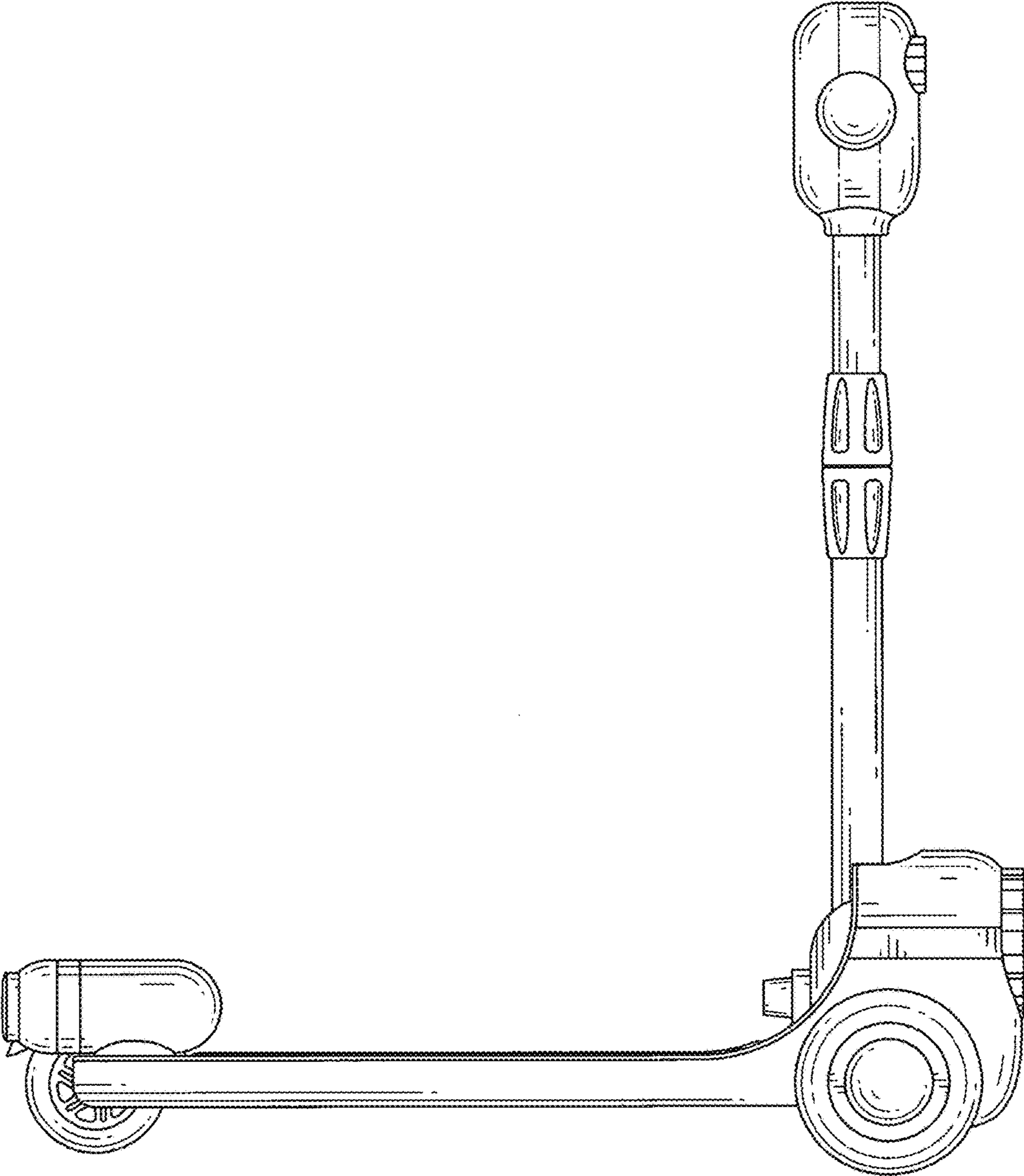


FIG. 3

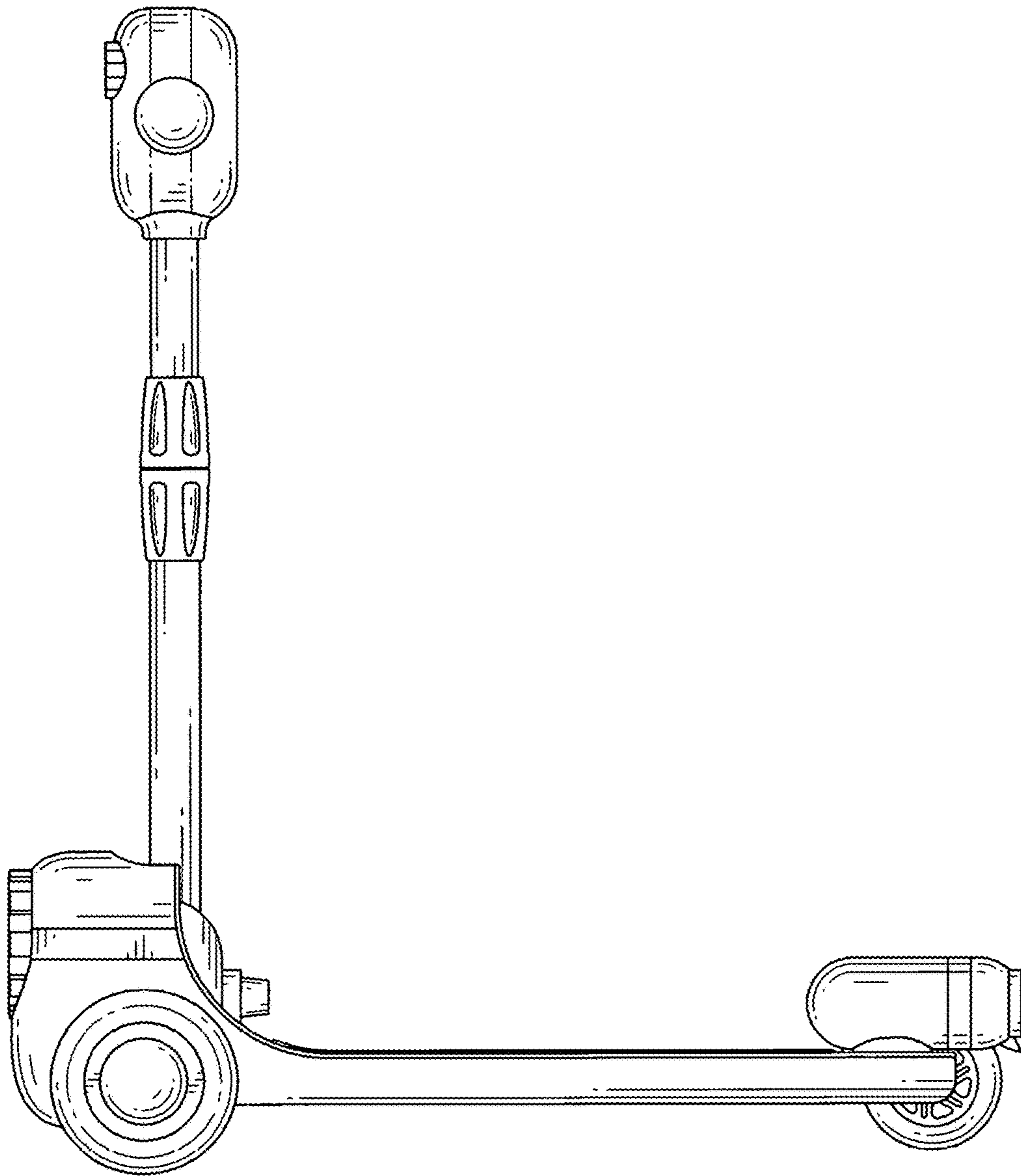


FIG. 4

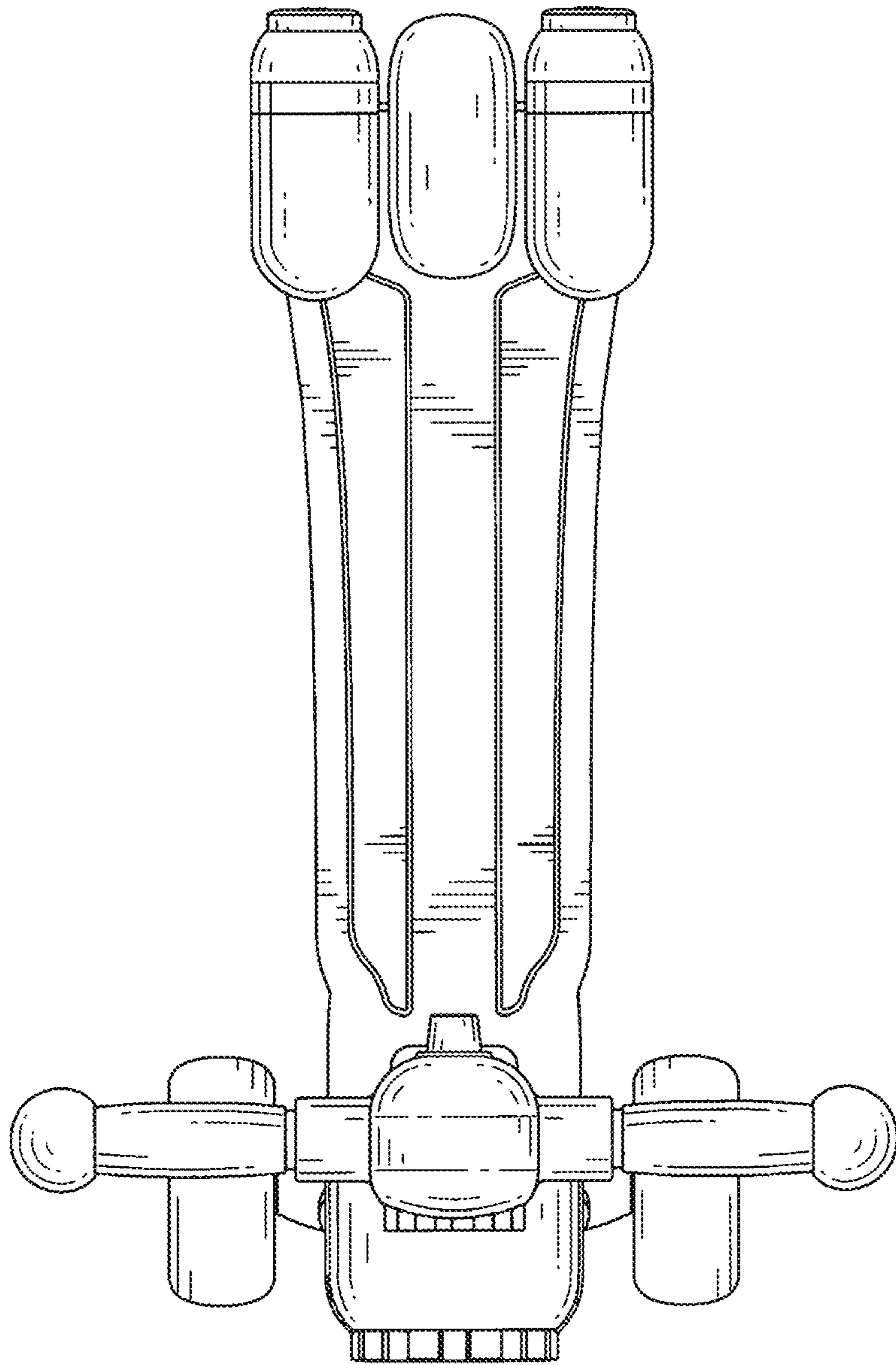


FIG. 5

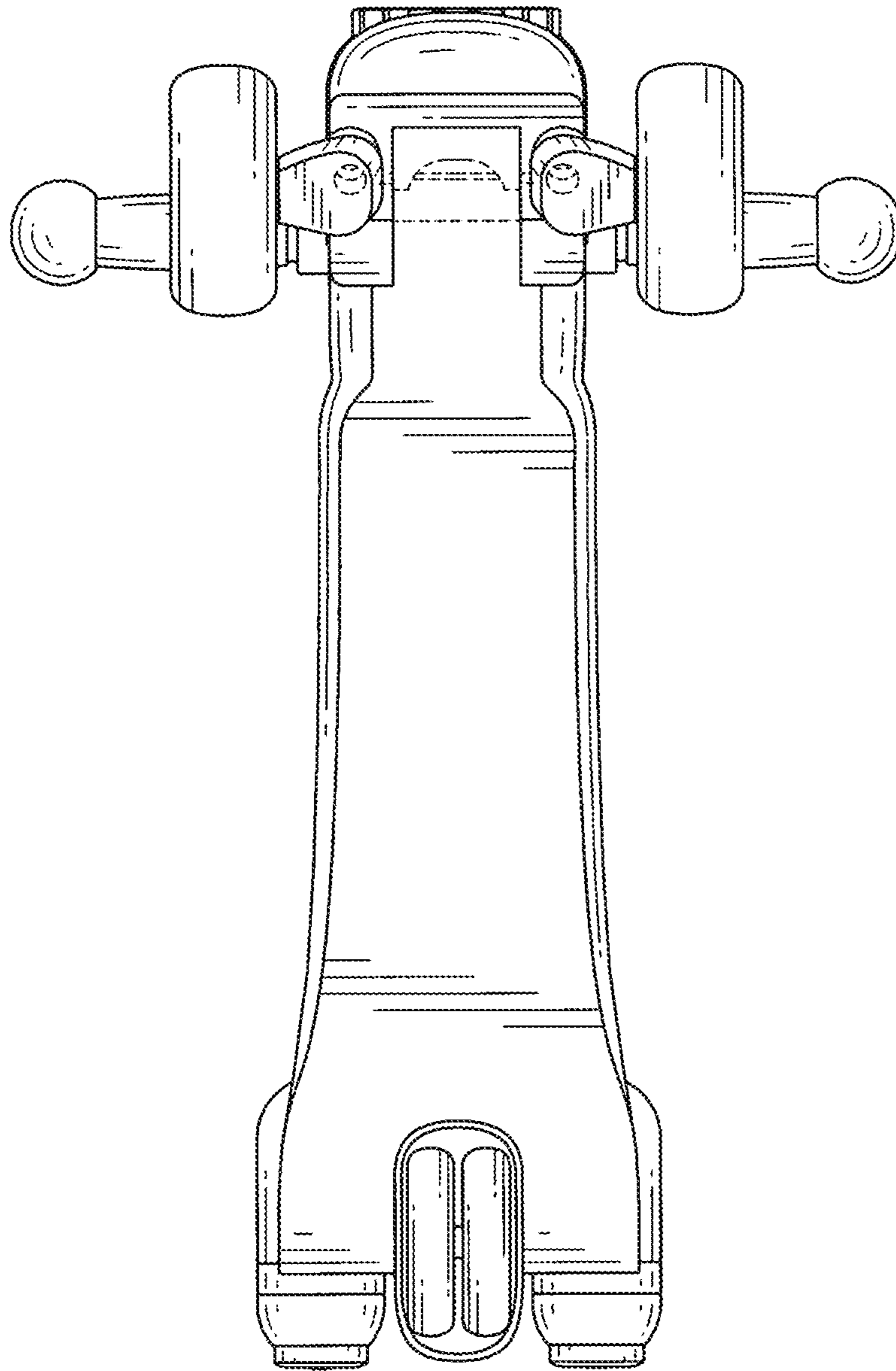


FIG. 6

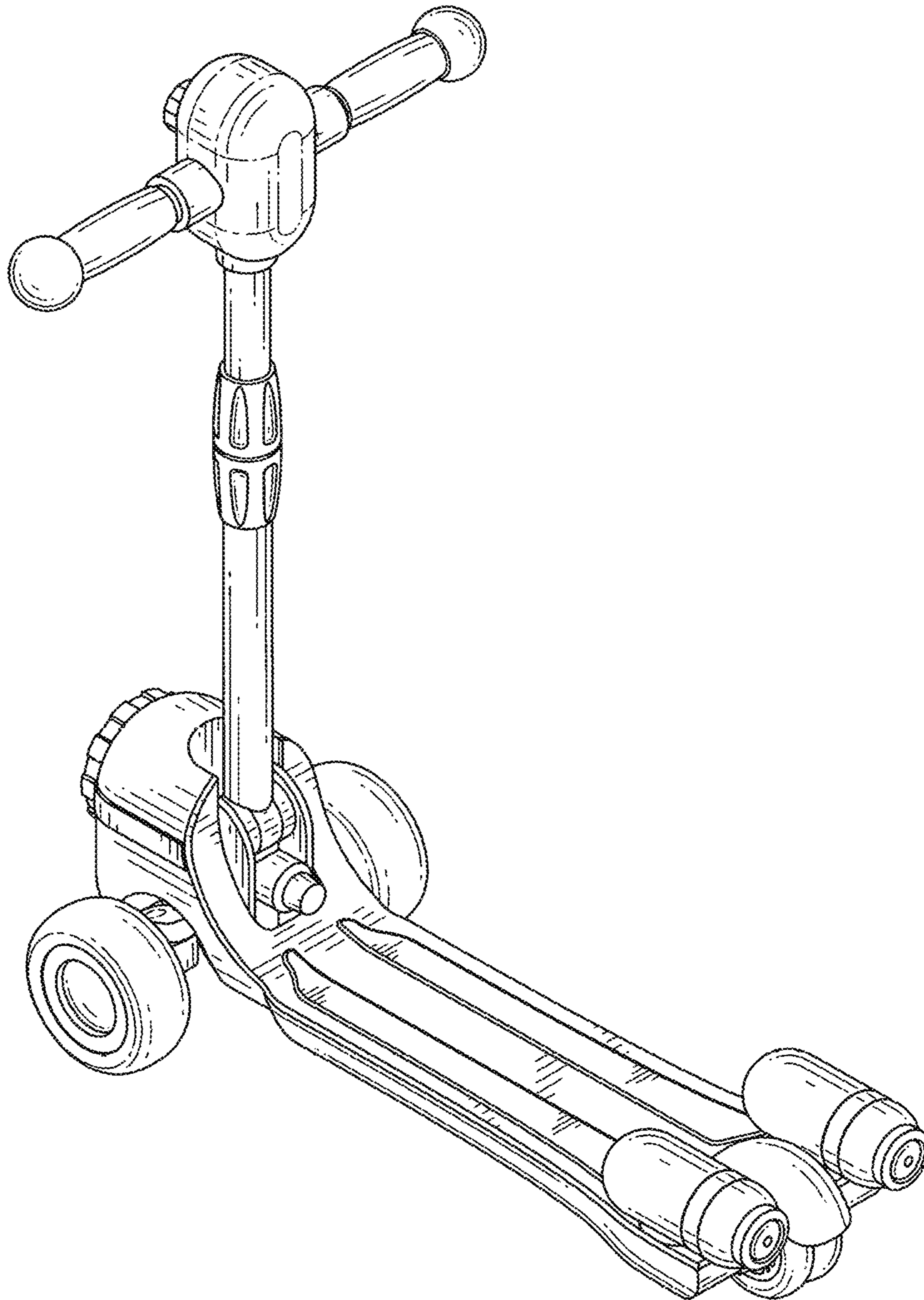


FIG. 7