



US00D835204S

(12) **United States Design Patent** (10) **Patent No.:** **US D835,204 S**  
**Yao** (45) **Date of Patent:** **\*\* Dec. 4, 2018**

(54) **SCOOTER**

(71) Applicant: **Yuman Yao**, Jiangsu (CN)

(72) Inventor: **Yuman Yao**, Jiangsu (CN)

(\*\*) Term: **15 Years**

(21) Appl. No.: **29/619,433**

(22) Filed: **Sep. 29, 2017**

(30) **Foreign Application Priority Data**

Jul. 4, 2017 (CN) ..... 2017 3 0289425

(51) **LOC (11) Cl.** ..... **21-01**

(52) **U.S. Cl.**  
USPC ..... **D21/423**

(58) **Field of Classification Search**  
USPC ..... D21/419, 421, 423, 426-428, 435,  
D21/668-671, 760, 765, 771; D12/1, 8,  
D12/108, 112, 113; 280/8, 14.21, 14.25,  
280/14.26, 87.041, 87.042, 200, 214, 220,  
280/221, 239, 263, 288.1, 288.2, 288.4,  
280/809; 180/180, 181, 227, 228  
CPC . B62K 3/002; B62K 9/00; B62K 9/02; B62K  
13/00; B62K 2202/00  
See application file for complete search history.

(56) **References Cited**

**U.S. PATENT DOCUMENTS**

D475,093 S \* 5/2003 Furter ..... D21/423  
D665,034 S \* 8/2012 Grossman ..... D21/423

D672,400 S \* 12/2012 Pizzi ..... D21/423  
D698,868 S \* 2/2014 Chan ..... D21/423  
8,696,000 B1 \* 4/2014 Chen ..... B62K 5/08  
280/11.28  
D738,435 S \* 9/2015 O'Connell ..... D21/423  
D755,305 S \* 5/2016 Edlauer ..... D21/423  
D777,261 S \* 1/2017 Desberg ..... D21/423  
9,623,930 B2 \* 4/2017 Desberg ..... B62K 19/00  
D795,354 S \* 8/2017 Desberg ..... D21/423  
2006/0001227 A1 \* 1/2006 Hong ..... B62K 3/002  
280/87.041  
2015/0166138 A1 \* 6/2015 Lovley, II ..... B62K 3/002  
180/210

\* cited by examiner

*Primary Examiner* — Cynthia M. Chin

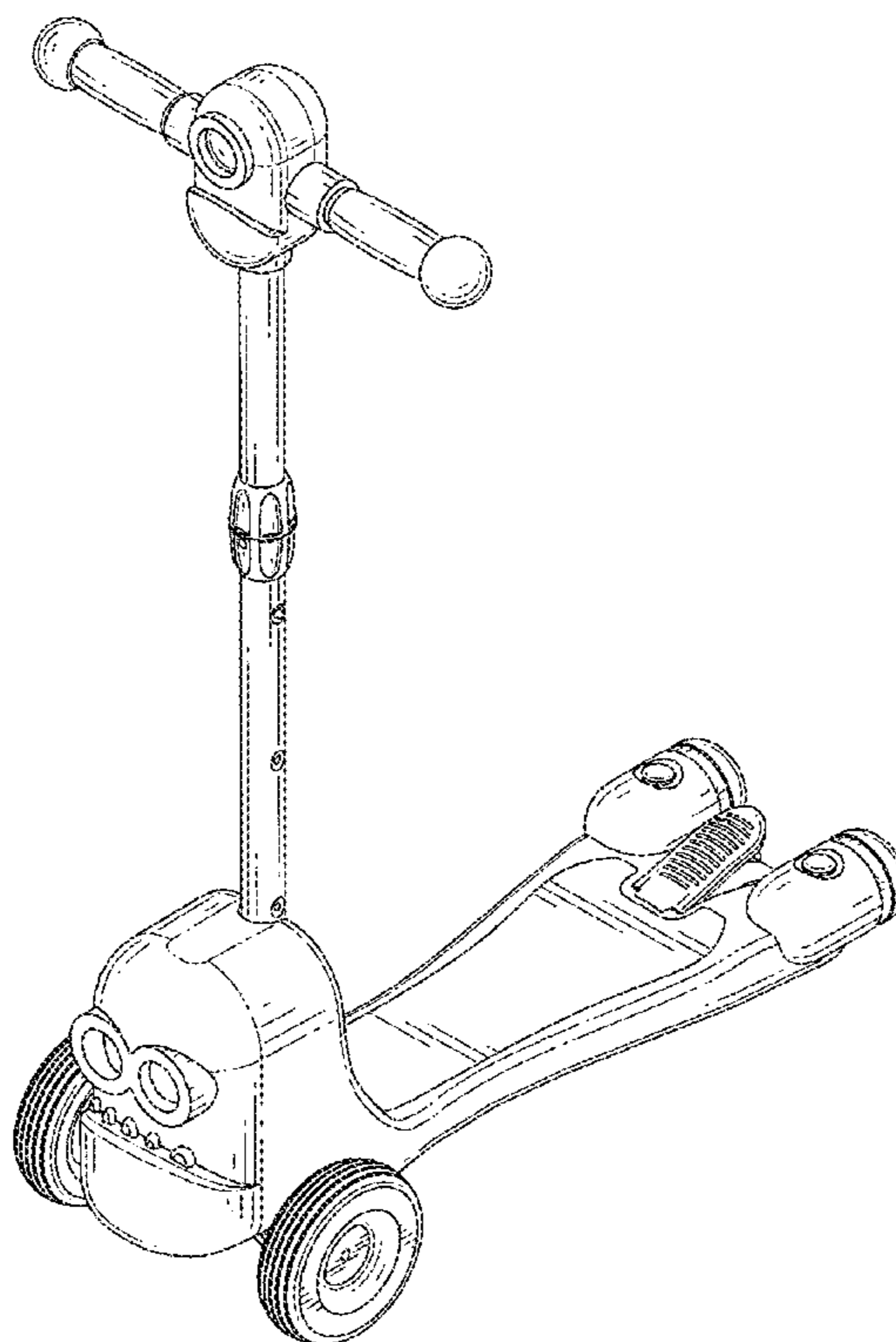
(57) **CLAIM**

The ornamental design for a scooter, as shown and described.

**DESCRIPTION**

FIG. 1 is a perspective view of a scooter showing my new design;  
FIG. 2 is a front elevational view thereof;  
FIG. 3 is a rear elevational view thereof;  
FIG. 4 is a left side view thereof;  
FIG. 5 is a right side view thereof;  
FIG. 6 is a top plan view thereof; and,  
FIG. 7 is a bottom plan view thereof.  
The broken lines are for the purpose of illustrating portions of the article that form no part of the claim.

**1 Claim, 7 Drawing Sheets**



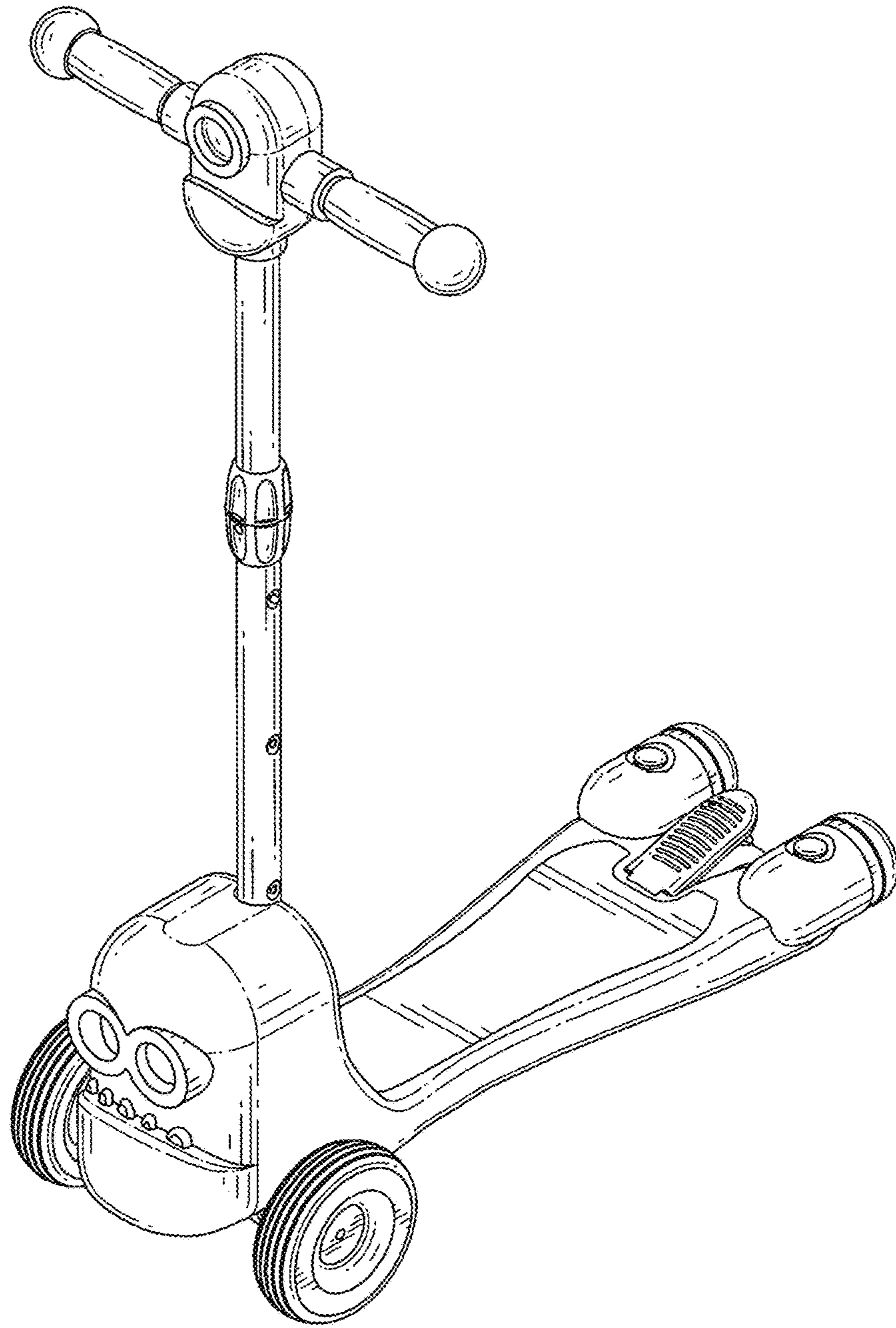


FIG. 1

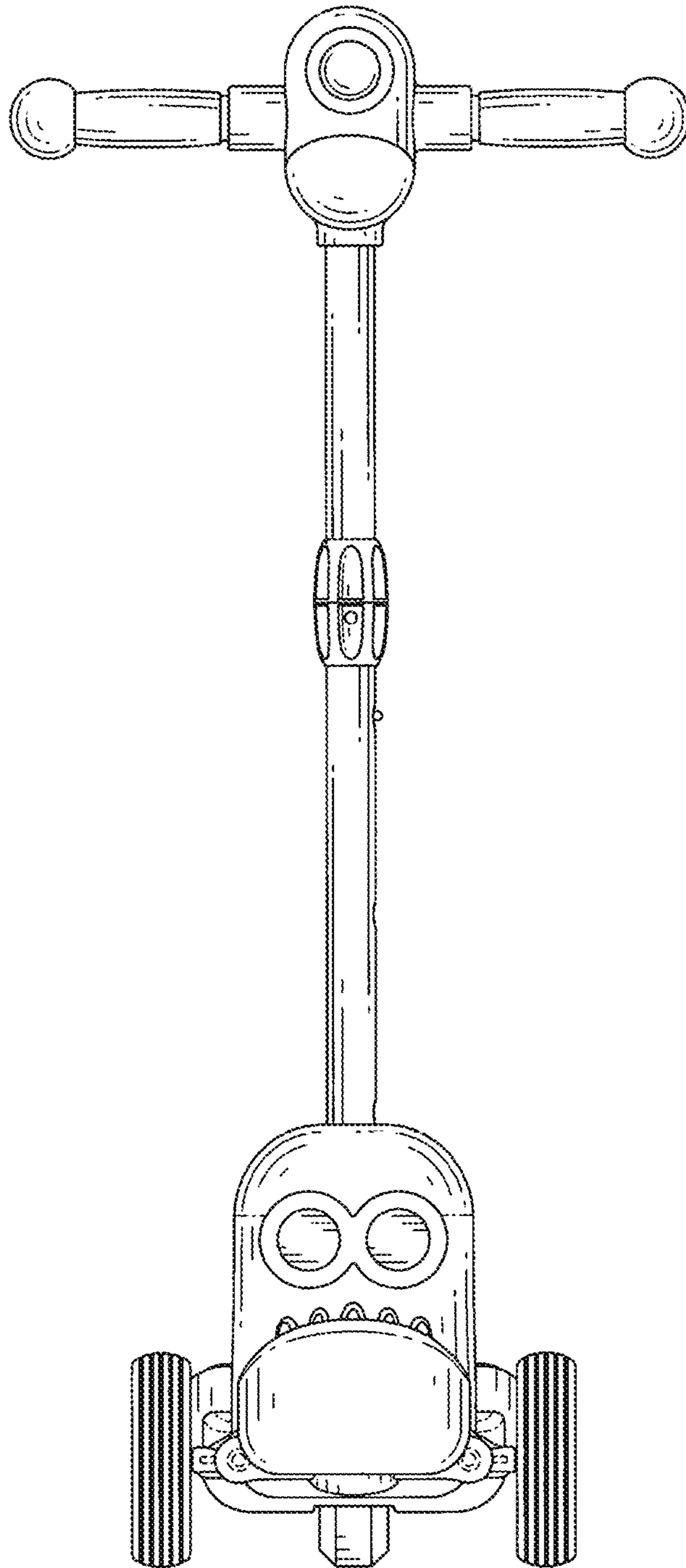


FIG. 2

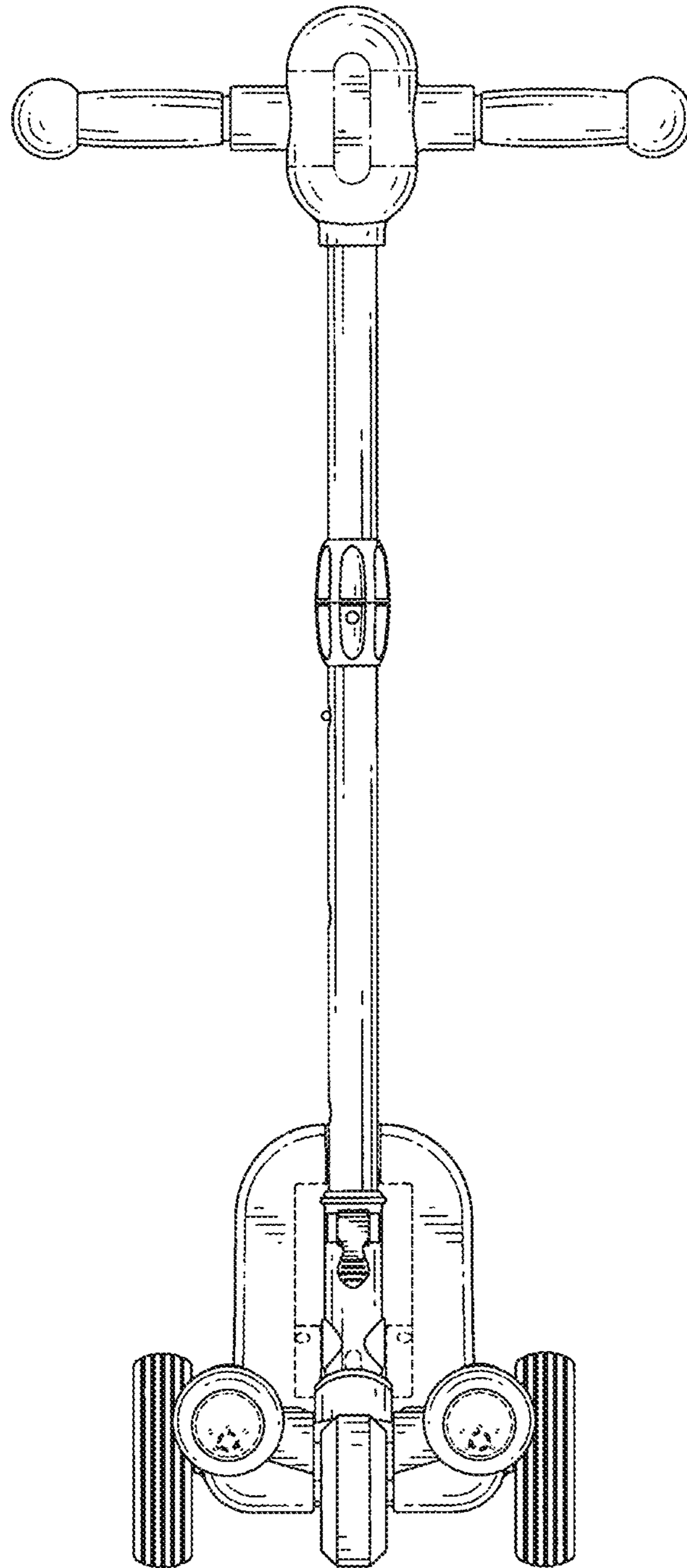


FIG. 3

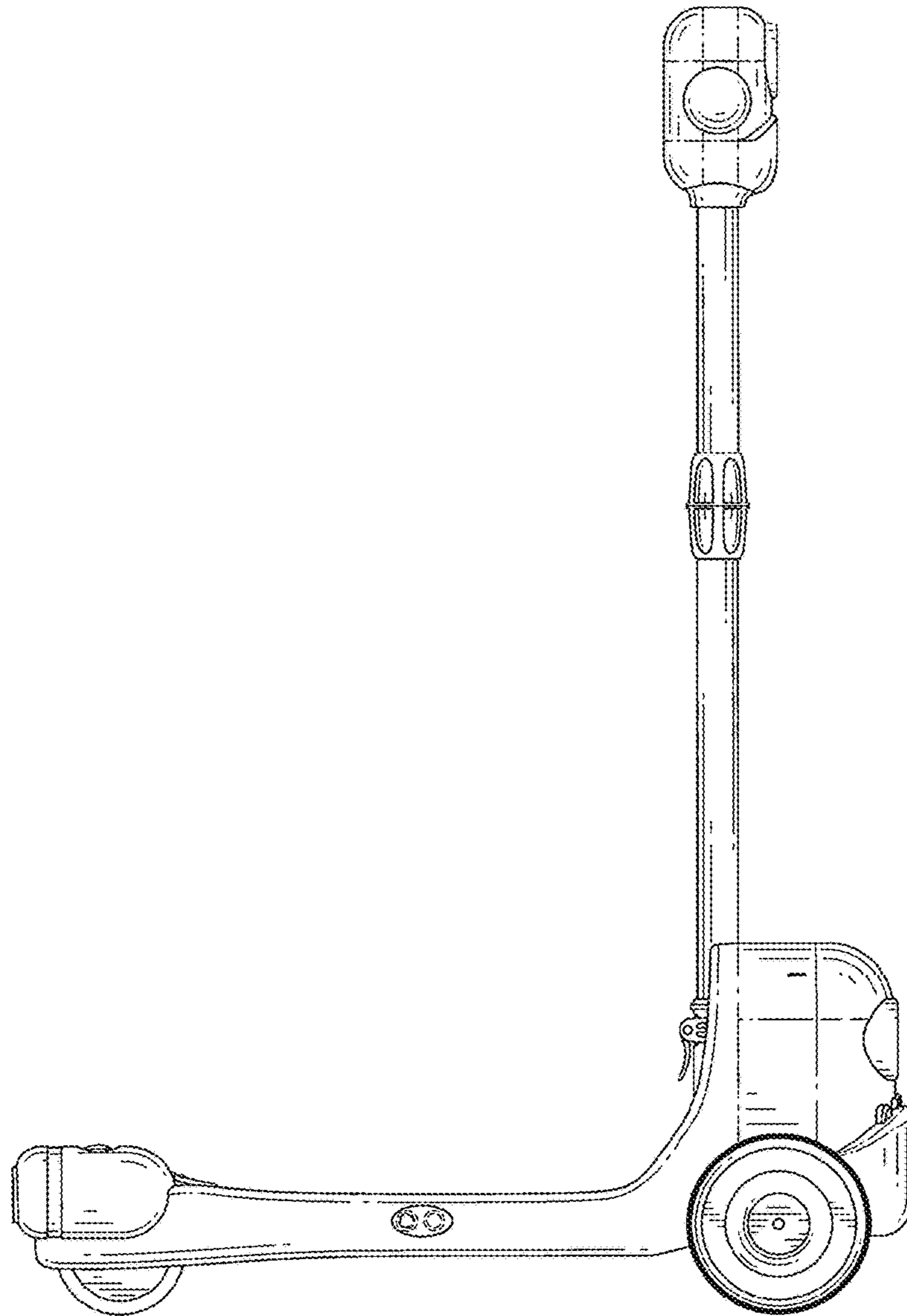


FIG. 4

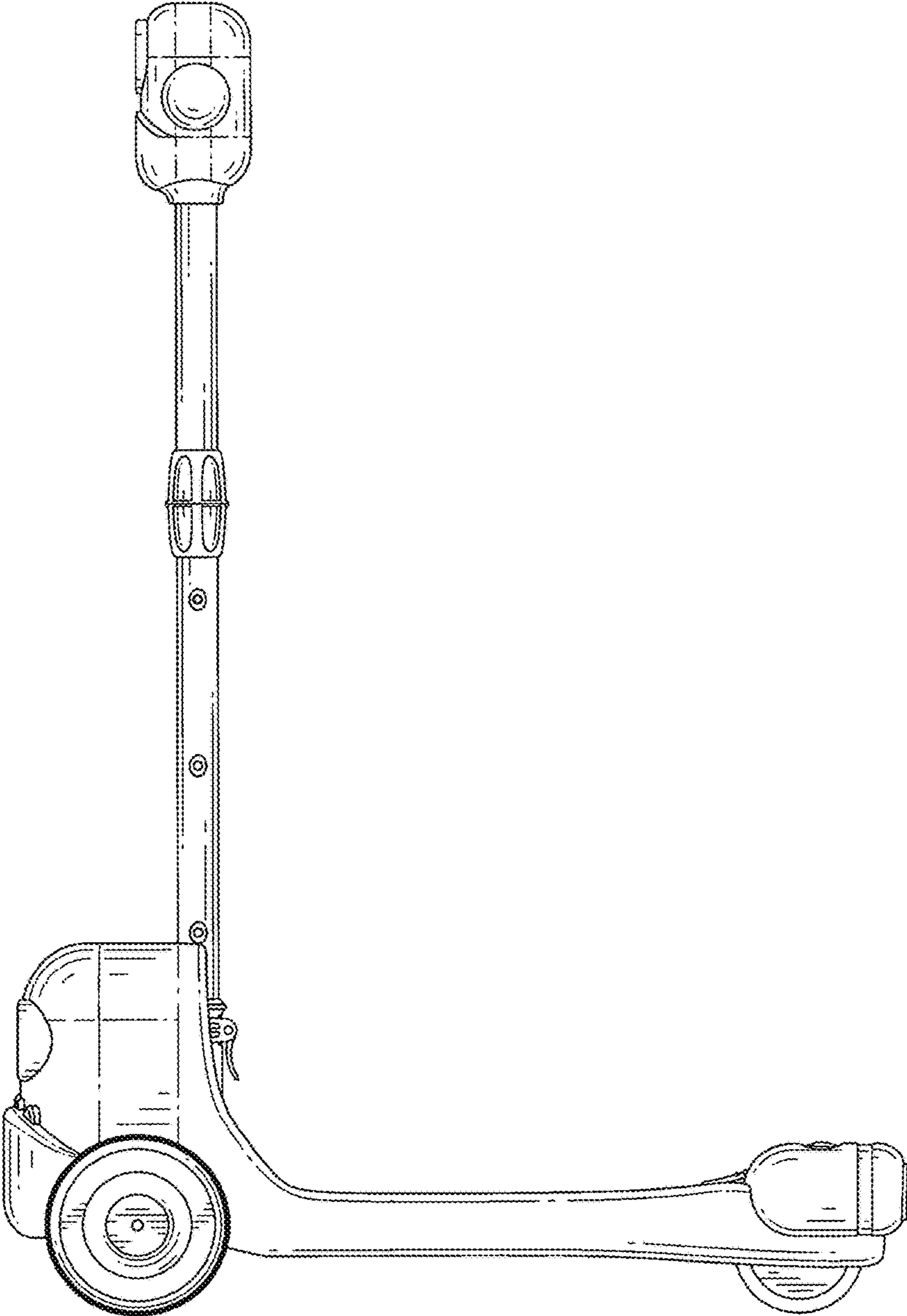


FIG. 5

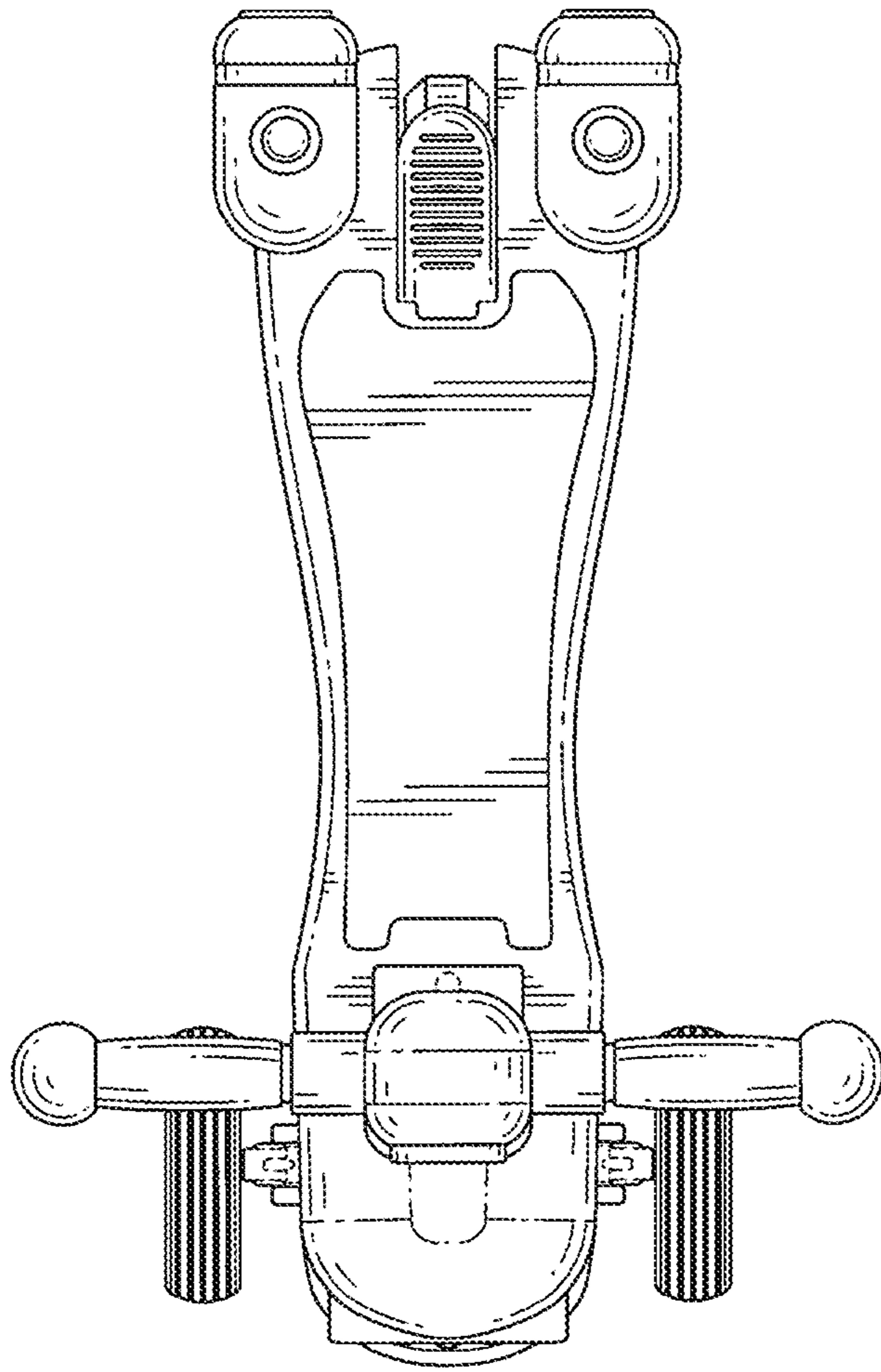


FIG. 6

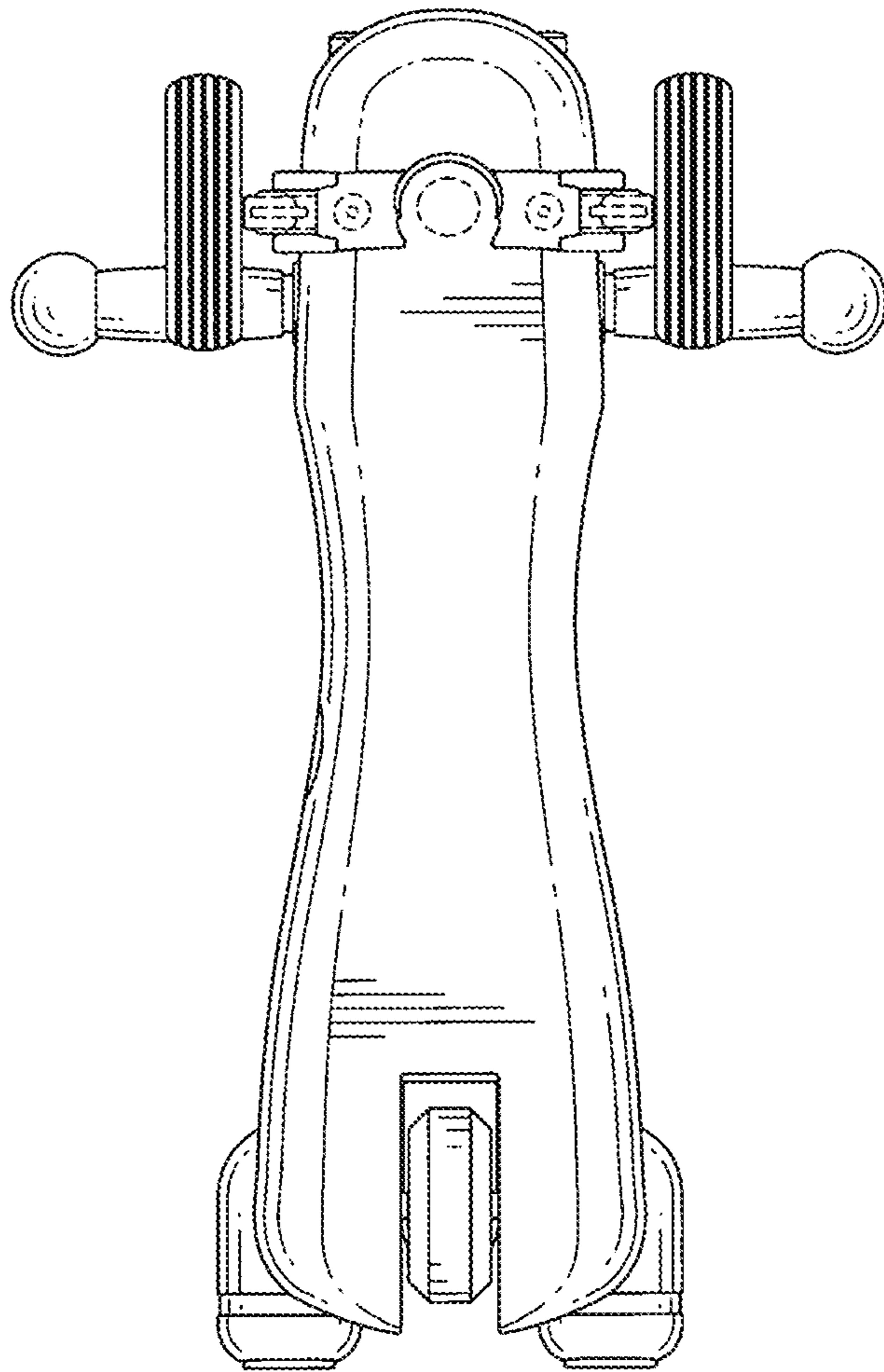


FIG. 7