

US00D835202S

(12) **United States Design Patent** (10) **Patent No.:** **US D835,202 S**
Nugent (45) **Date of Patent:** **** Dec. 4, 2018**

(54) **GOAL POST GAME**
(71) Applicant: **Michael Nugent**, Lancaster, NY (US)
(72) Inventor: **Michael Nugent**, Lancaster, NY (US)
(**) Term: **15 Years**
(21) Appl. No.: **29/583,122**
(22) Filed: **Nov. 2, 2016**
(51) **LOC (11) Cl.** **21-01**
(52) **U.S. Cl.**
USPC **D21/385**
(58) **Field of Classification Search**
USPC D21/300, 334, 335, 363, 365, 376-383,
D21/385, 386, 388, 389, 392, 396, 397,
D21/483, 484, 488-491, 493, 494, 506,
D21/507, 576, 621, 627; D25/113-115,
D25/118
CPC A63F 2001/001; A63F 2001/003; A63F
2001/005; A63F 2001/006; A63F 1/062;
A63F 1/067; A63F 1/08; A63F 1/10;
A63F 1/12; A63F 1/14; A63F 7/0017;
A63F 7/0023; A63F 9/20
See application file for complete search history.

(56) **References Cited**
U.S. PATENT DOCUMENTS
4,183,531 A * 1/1980 White A63F 7/0608
273/247
4,927,145 A * 5/1990 Davis A63F 7/0668
273/126 A
D324,554 S * 3/1992 McKinney D21/699
D347,033 S * 5/1994 Moretz D21/699

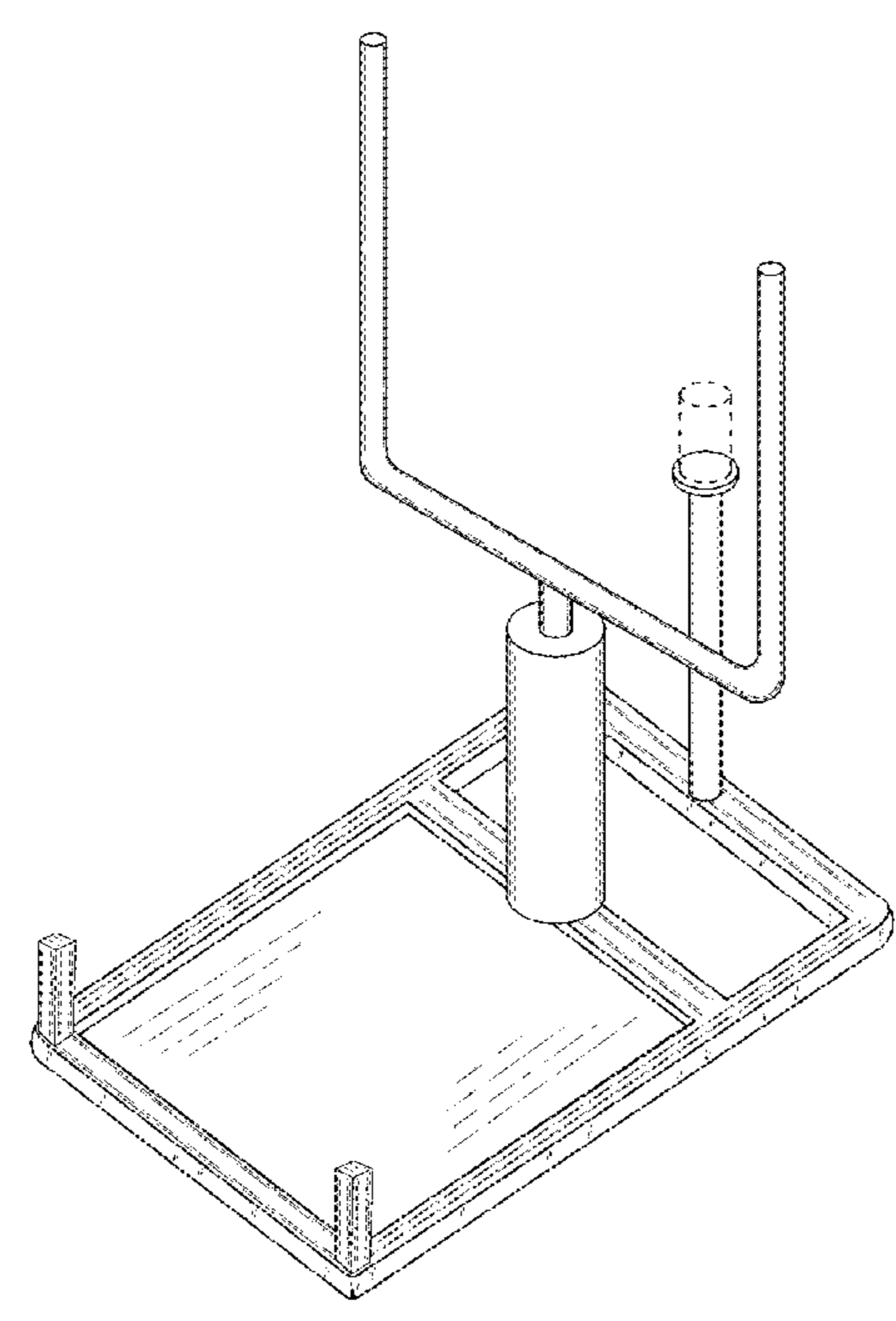
D390,292 S * 2/1998 Hoag D21/705
D410,713 S * 6/1999 Sherwood D21/699
6,070,879 A * 6/2000 Kemp A63B 71/023
273/108.4
6,102,203 A * 8/2000 Marro A47K 1/09
206/362.1
D529,968 S * 10/2006 Frankel D21/699
D531,685 S * 11/2006 Frankel D21/699
D576,685 S * 9/2008 Queally D21/302
D609,280 S * 2/2010 Lessard 273/317.5
D619,569 S * 7/2010 Honchell D14/239

* cited by examiner
Primary Examiner — George D. Kirschbaum
Assistant Examiner — Joseph J Kukella
(74) *Attorney, Agent, or Firm* — Vincent G. LoTempio;
Kloss, Stenger & LoTempio; David T. Stephenson

(57) **CLAIM**
The ornamental design for a goal post game, as shown and described.

DESCRIPTION
FIG. 1 is a front view of the goal post game showing my new design;
FIG. 2 is a back view thereof;
FIG. 3 is a top view thereof;
FIG. 4 is a bottom view thereof;
FIG. 5 is a right side view thereof;
FIG. 6 is a left side view thereof; and,
FIG. 7 is a front perspective view thereof.
The broken lines showing an unclaimed target in the shape of a can in FIGS. 1-7 illustrates environmental subject matter and form no part of the claimed design.

1 Claim, 4 Drawing Sheets



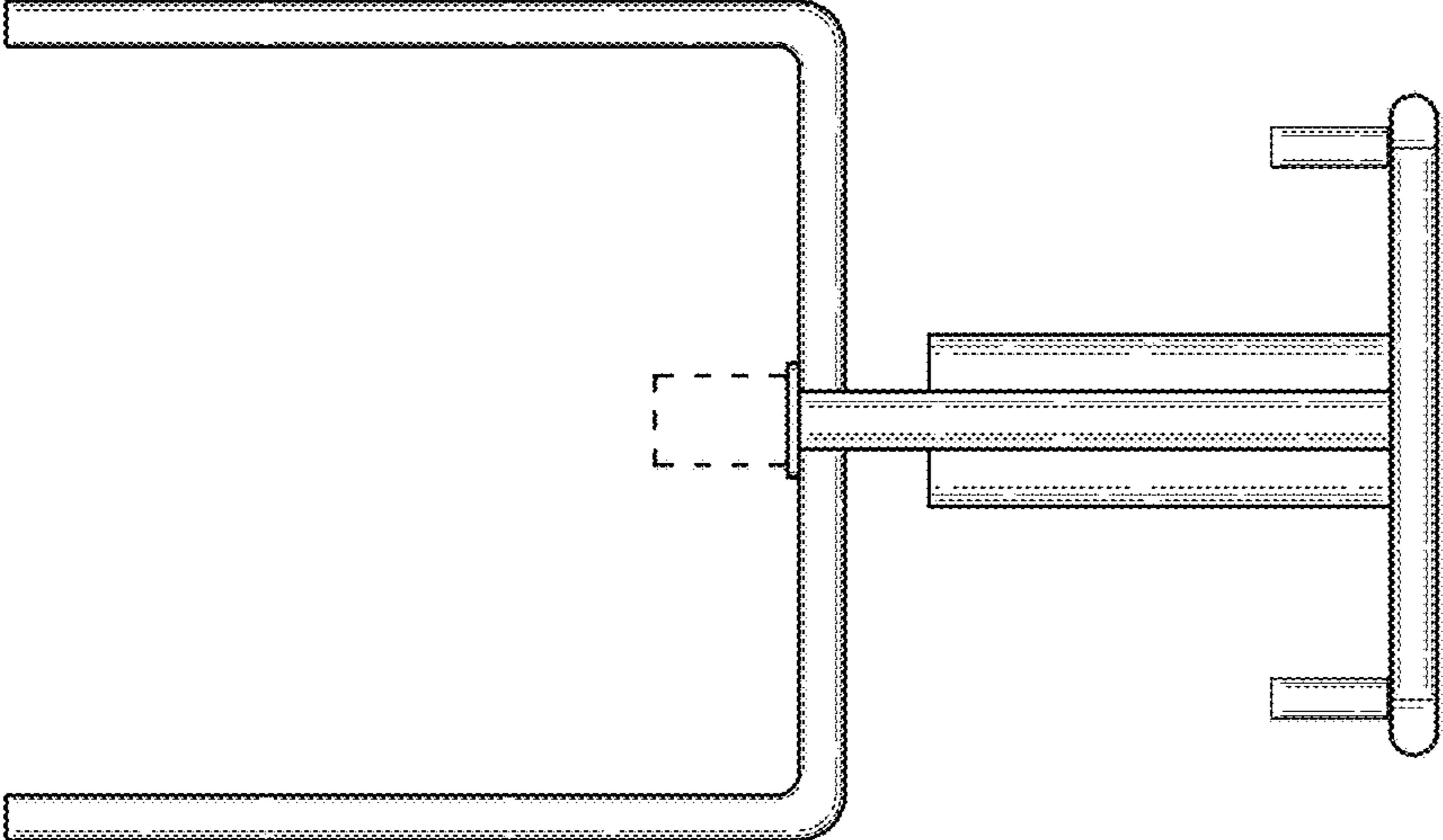


FIG. 2

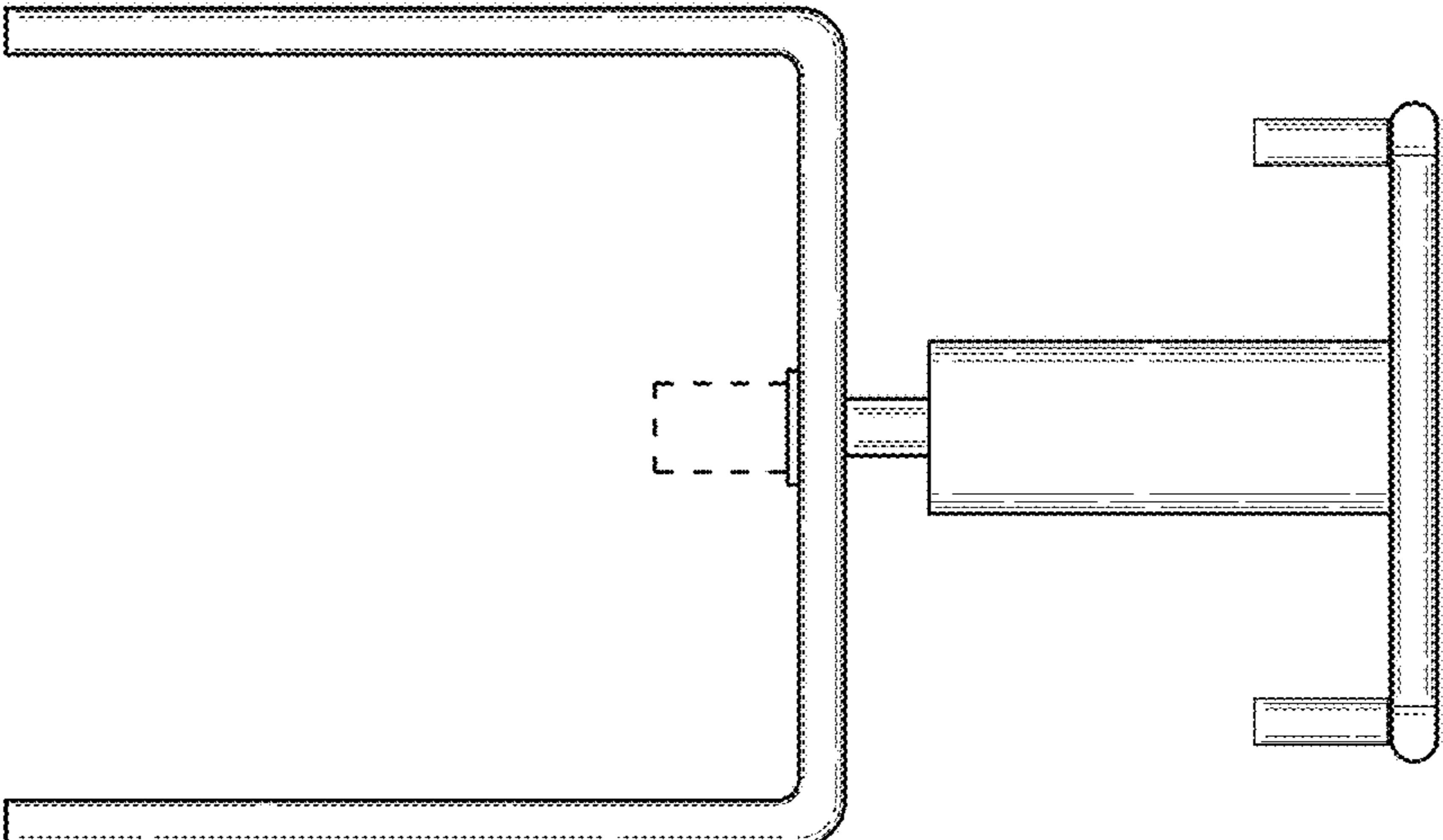


FIG. 1

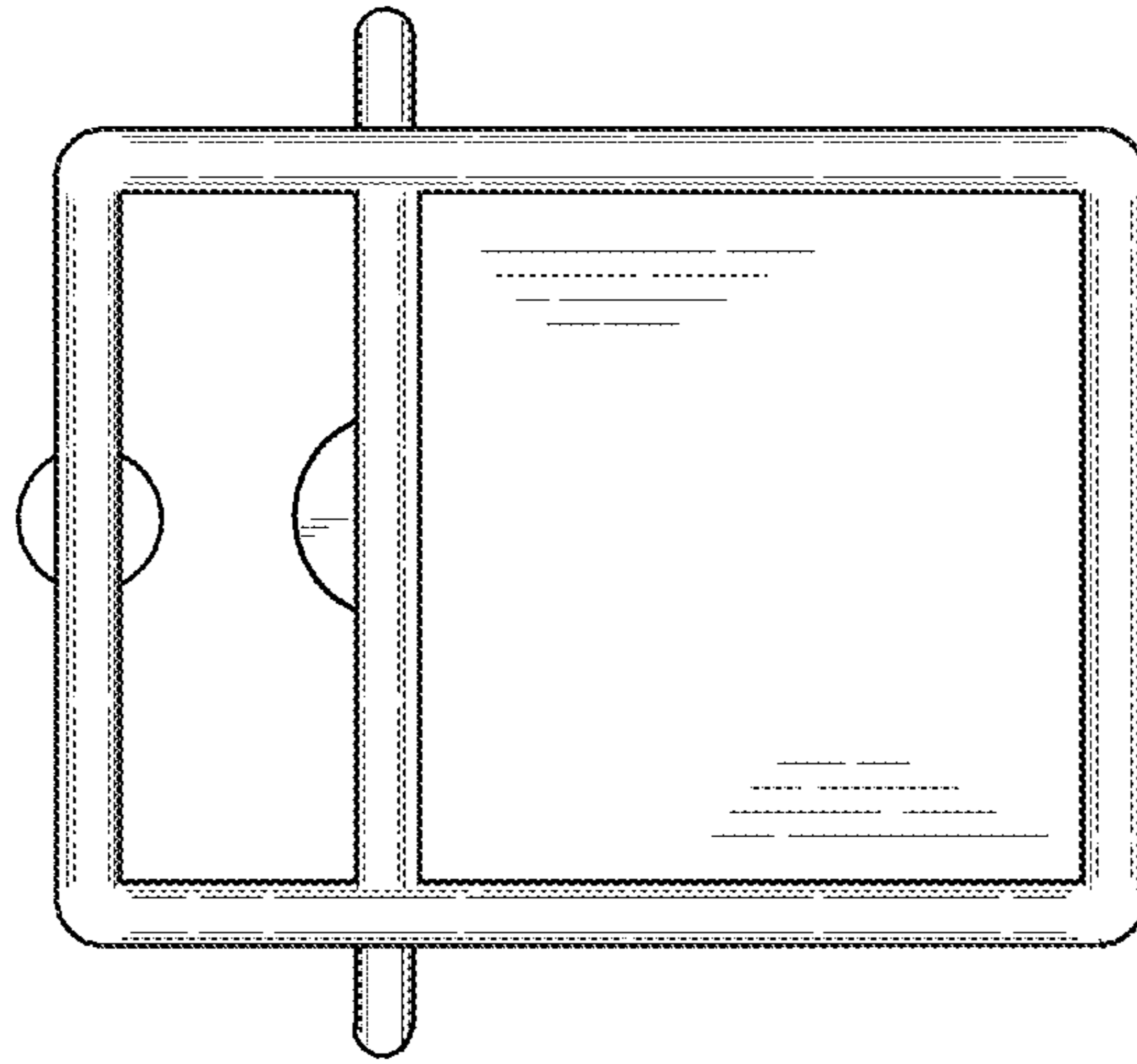


FIG. 4

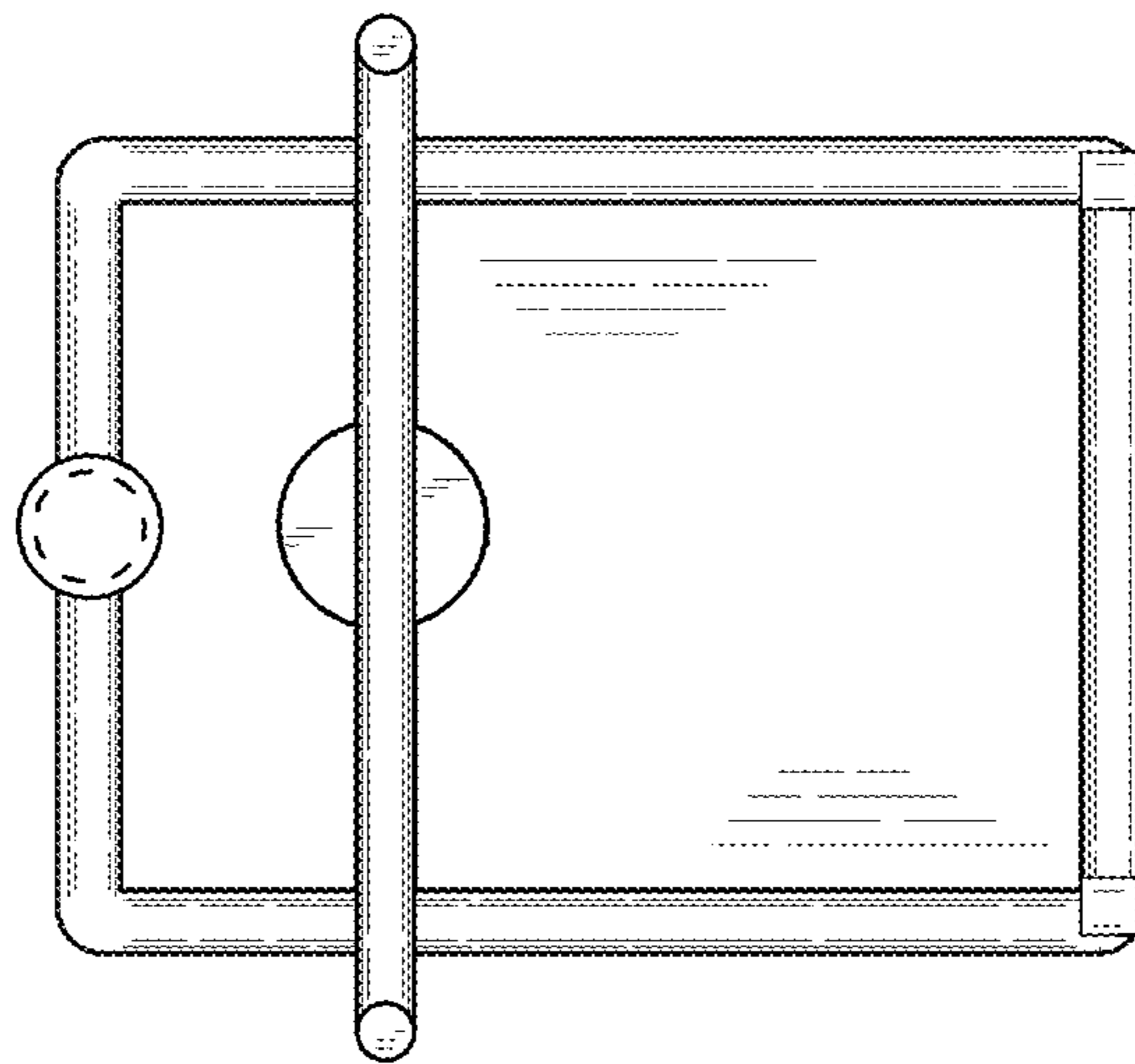


FIG. 3

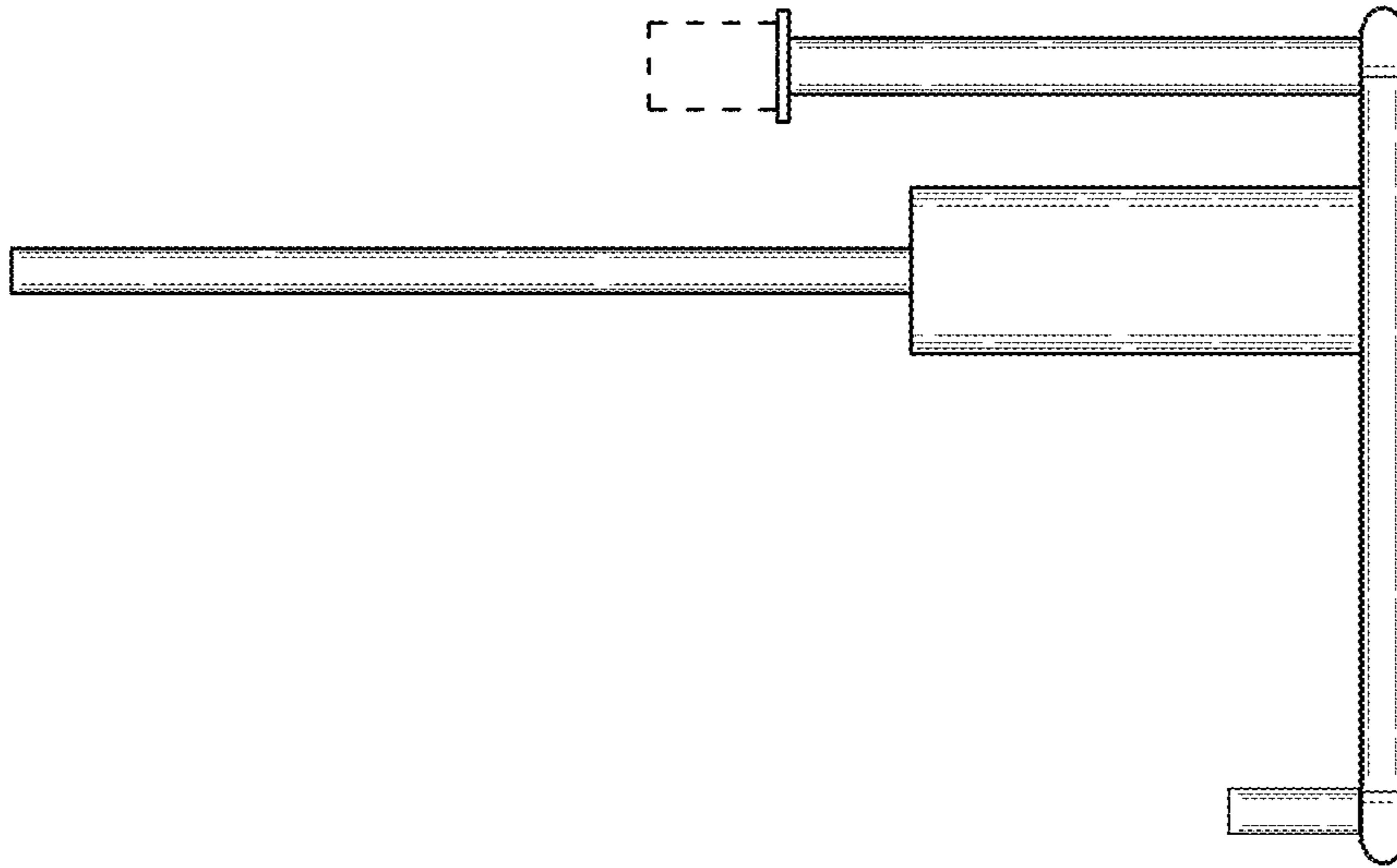


FIG. 6

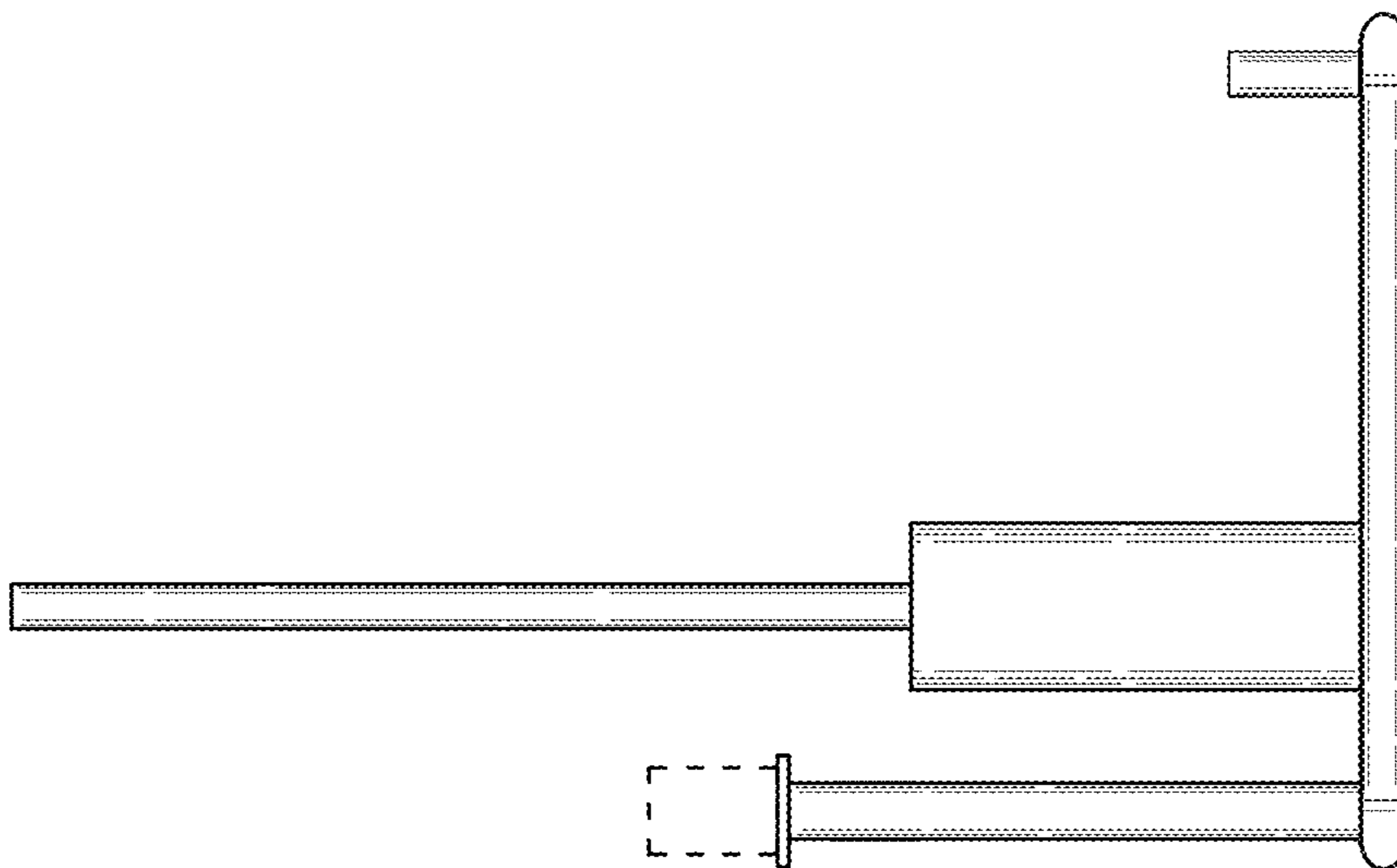


FIG. 5

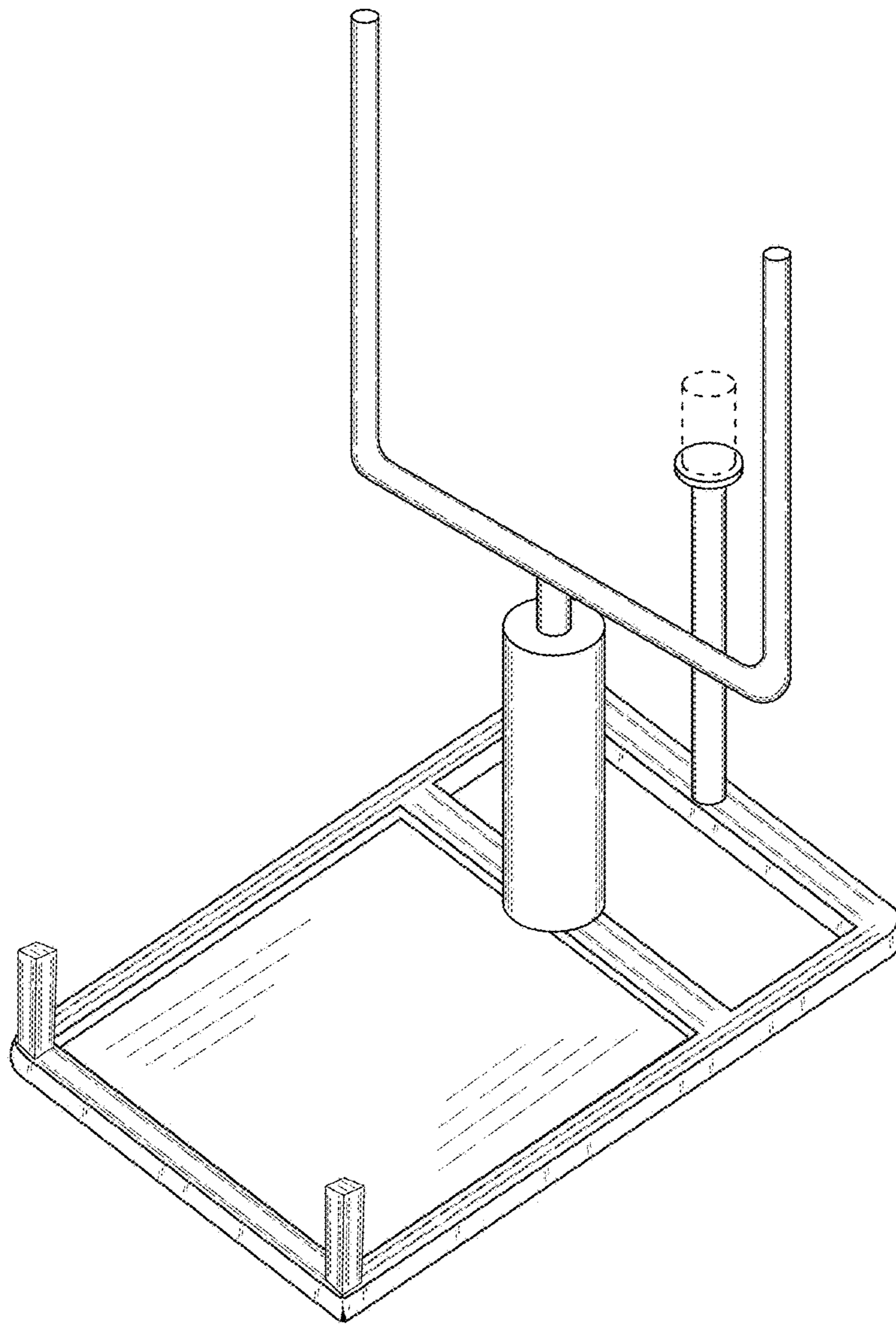


FIG. 7