



US00D835201S

(12) **United States Design Patent** (10) **Patent No.:** **US D835,201 S**  
**Criado et al.** (45) **Date of Patent:** **\*\* Dec. 4, 2018**

(54) **GAMING STATION**  
(71) Applicant: **Carnival Corporation**, Miami, FL (US)  
(72) Inventors: **Richard J. Criado**, Weston, FL (US); **Kyle Prestenback**, Miami Springs, FL (US); **Caitlin Rose Merryman**, Doral, FL (US); **Michael G. Jungen**, Belle Isle, FL (US); **John Padgett**, Fort Lauderdale, FL (US); **Jeff Ashbrook**, Asheville, NC (US)  
(73) Assignee: **CARNIVAL CORPORATION**, Miami, FL (US)

D508,269 S \* 8/2005 Wichinsky ..... D21/325  
D529,101 S \* 9/2006 Kaminkow ..... D21/324  
D568,942 S \* 5/2008 Gauselmann ..... D21/325  
D595,783 S \* 7/2009 Anderson ..... D21/327  
D604,529 S \* 11/2009 Bloch ..... D6/651  
D605,232 S \* 12/2009 Nagamatsu ..... D21/325  
D612,432 S \* 3/2010 De Viveiros Ortiz ..... D21/325  
D626,182 S \* 10/2010 Cole ..... D21/369  
D684,779 S \* 6/2013 Scott ..... D6/336  
D720,556 S \* 1/2015 Mayer ..... D6/657  
D746,380 S \* 12/2015 van Linden ..... D21/369  
D761,918 S \* 7/2016 Kelly ..... D21/369  
D779,593 S \* 2/2017 Stephenson, III ..... D21/370  
D787,605 S \* 5/2017 Bushnell ..... D14/172  
2007/0054742 A1 \* 3/2007 McComb ..... G07F 17/32  
463/46

\* cited by examiner

(\*\*) Term: **15 Years**

*Primary Examiner* — Cynthia Ramirez

*Assistant Examiner* — Michael A Maharajh

(21) Appl. No.: **29/589,419**

(74) *Attorney, Agent, or Firm* — McDermott Will & Emery LLP

(22) Filed: **Dec. 30, 2016**

(51) **LOC (11) Cl.** ..... **21-03**

(52) **U.S. Cl.**  
USPC ..... **D21/369**

(57) **CLAIM**

The ornamental design for a gaming station, as shown and described.

(58) **Field of Classification Search**  
USPC ..... 312/1, 3, 4, 235.2, 235.5; 463/46, 47; D6/657, 663, 668; D14/304, 305, 308, D14/314, 362, 371; D21/325, 326, 327, D21/328, 329, 330, 331, 332, 333, 369, D21/370, 397  
CPC ..... G07F 17/3216; A47B 25/00; A63F 1/067  
See application file for complete search history.

**DESCRIPTION**

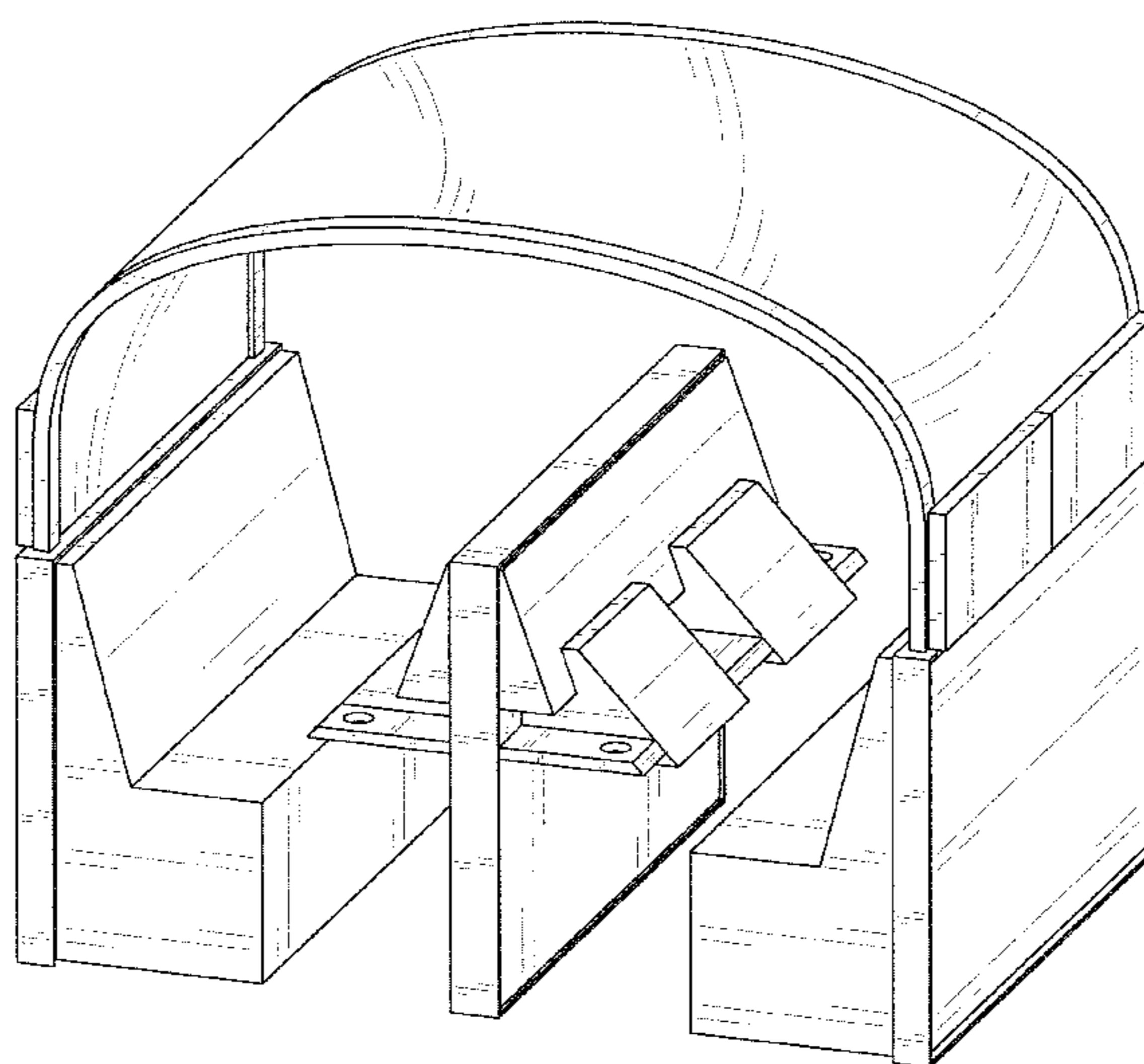
FIG. 1 is a front perspective view of a gaming station, showing the new design;  
FIG. 2 is a front view of the gaming station, the rear view being essentially a mirror image thereof;  
FIG. 3 is a right side view of the gaming station, the left side view being essentially a mirror image thereof;  
FIG. 4 is a top view of the gaming station, the bottom view being unornamented; and,  
FIG. 5 is a top view of the gaming station, with the dome and elongated rectangular elements adjacent to ends of the dome being removed for convenience of illustration.

(56) **References Cited**

U.S. PATENT DOCUMENTS

D413,635 S \* 9/1999 Taylor ..... D21/369  
D422,162 S \* 4/2000 Rowe ..... D21/369  
D424,122 S \* 5/2000 Dickenson ..... D21/325  
D429,768 S \* 8/2000 Smart ..... D21/325  
D472,939 S \* 4/2003 Philpott ..... D21/369

**1 Claim, 5 Drawing Sheets**



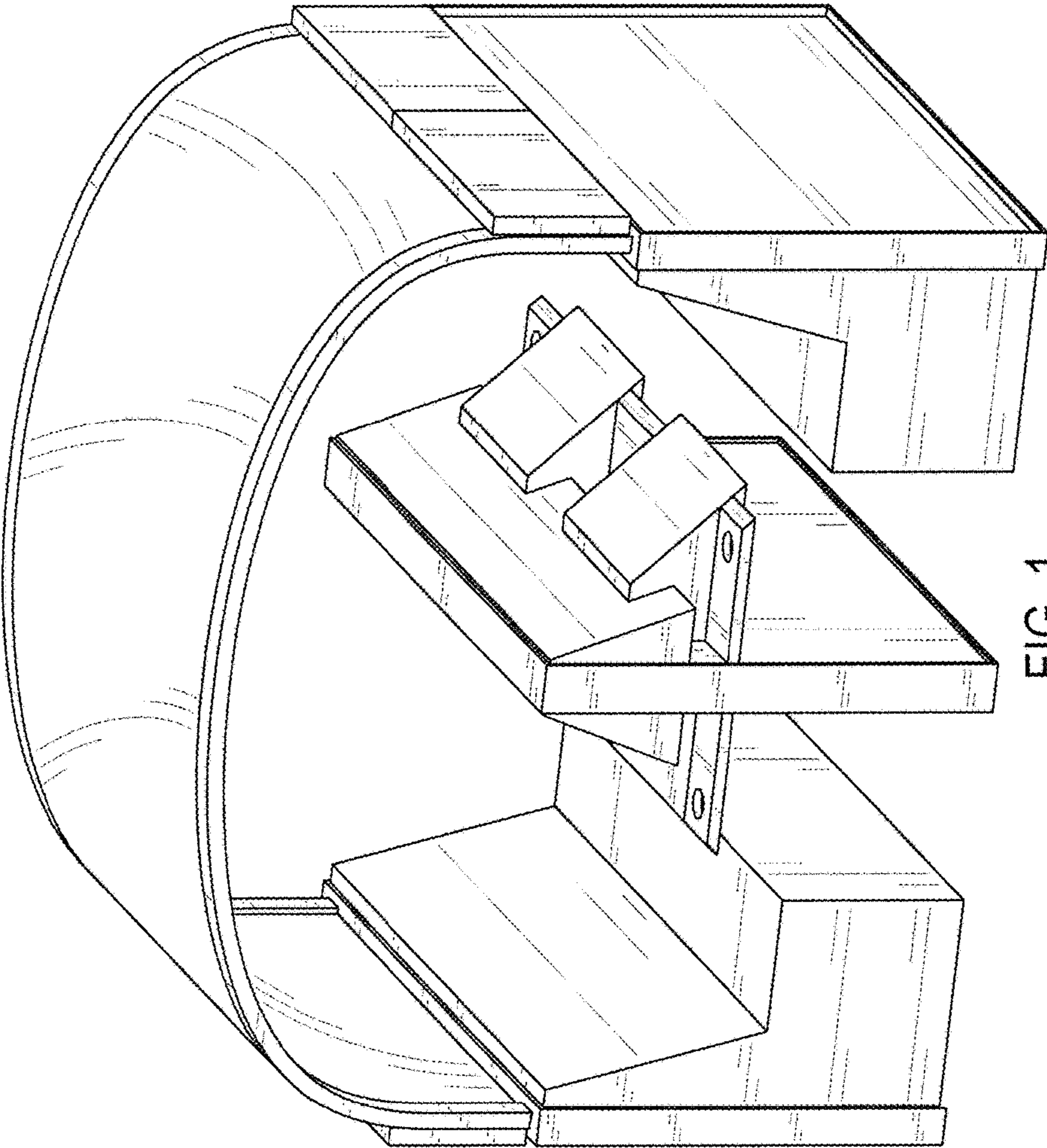


FIG. 1

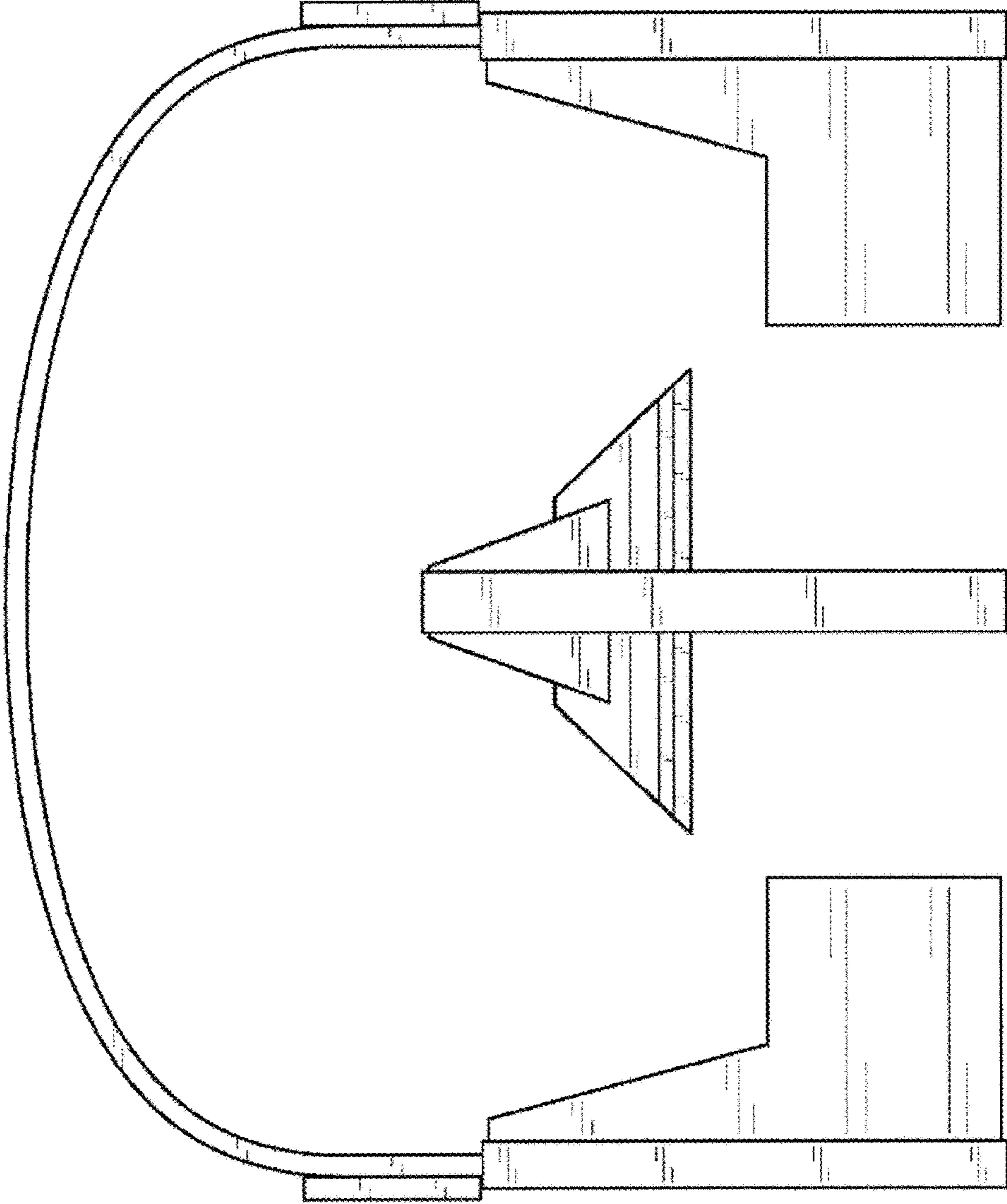


FIG. 2

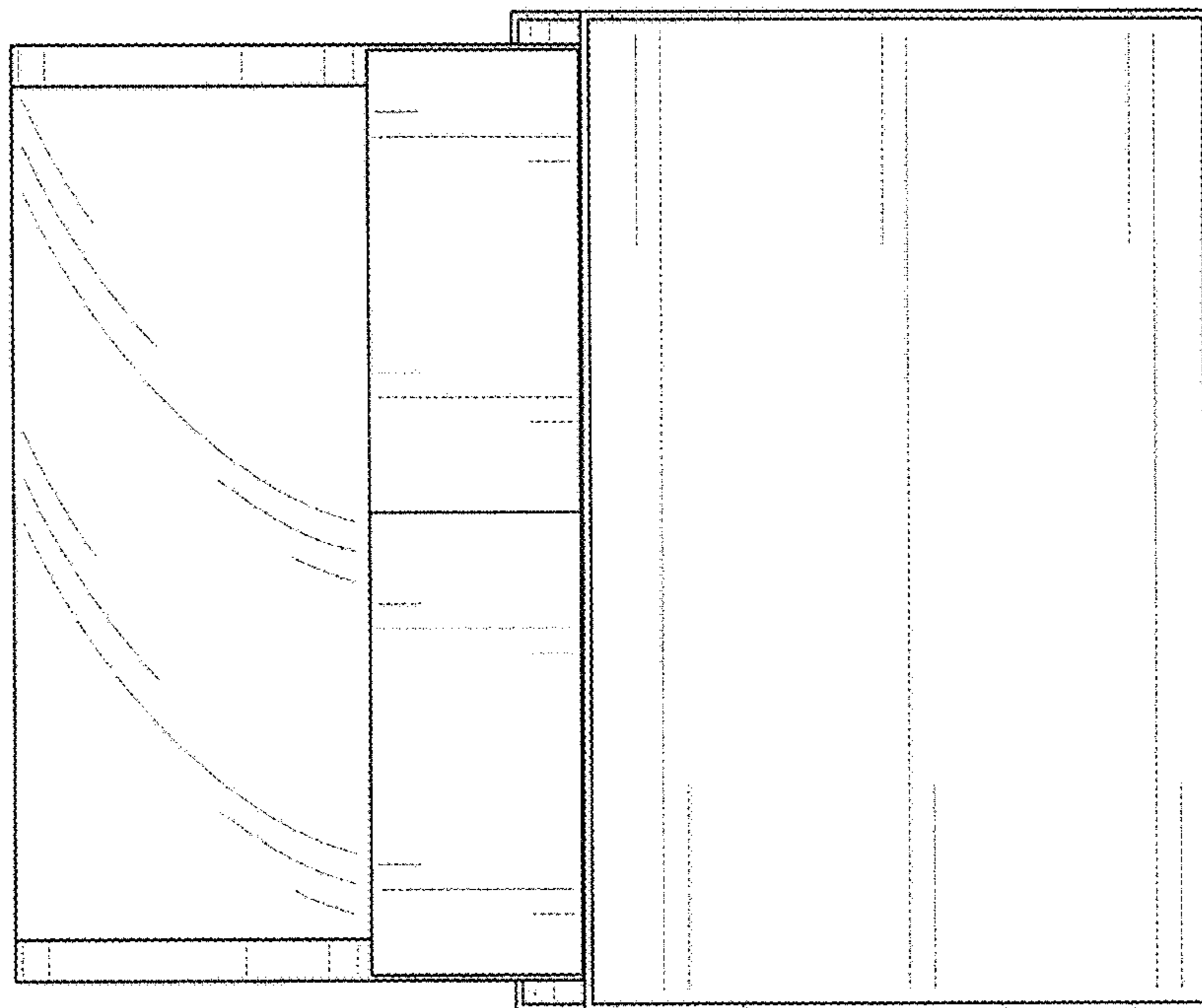


FIG. 3

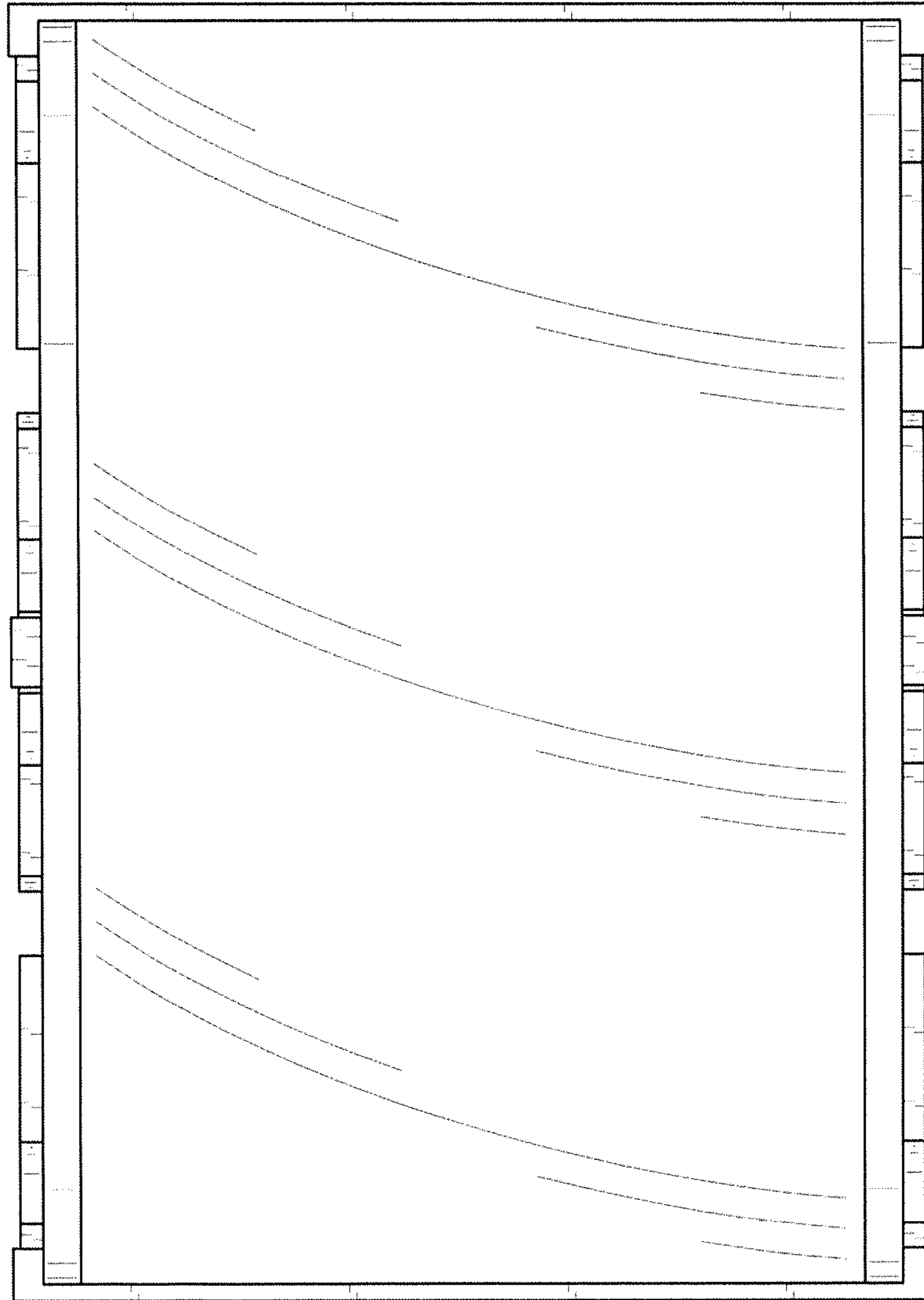


FIG. 4

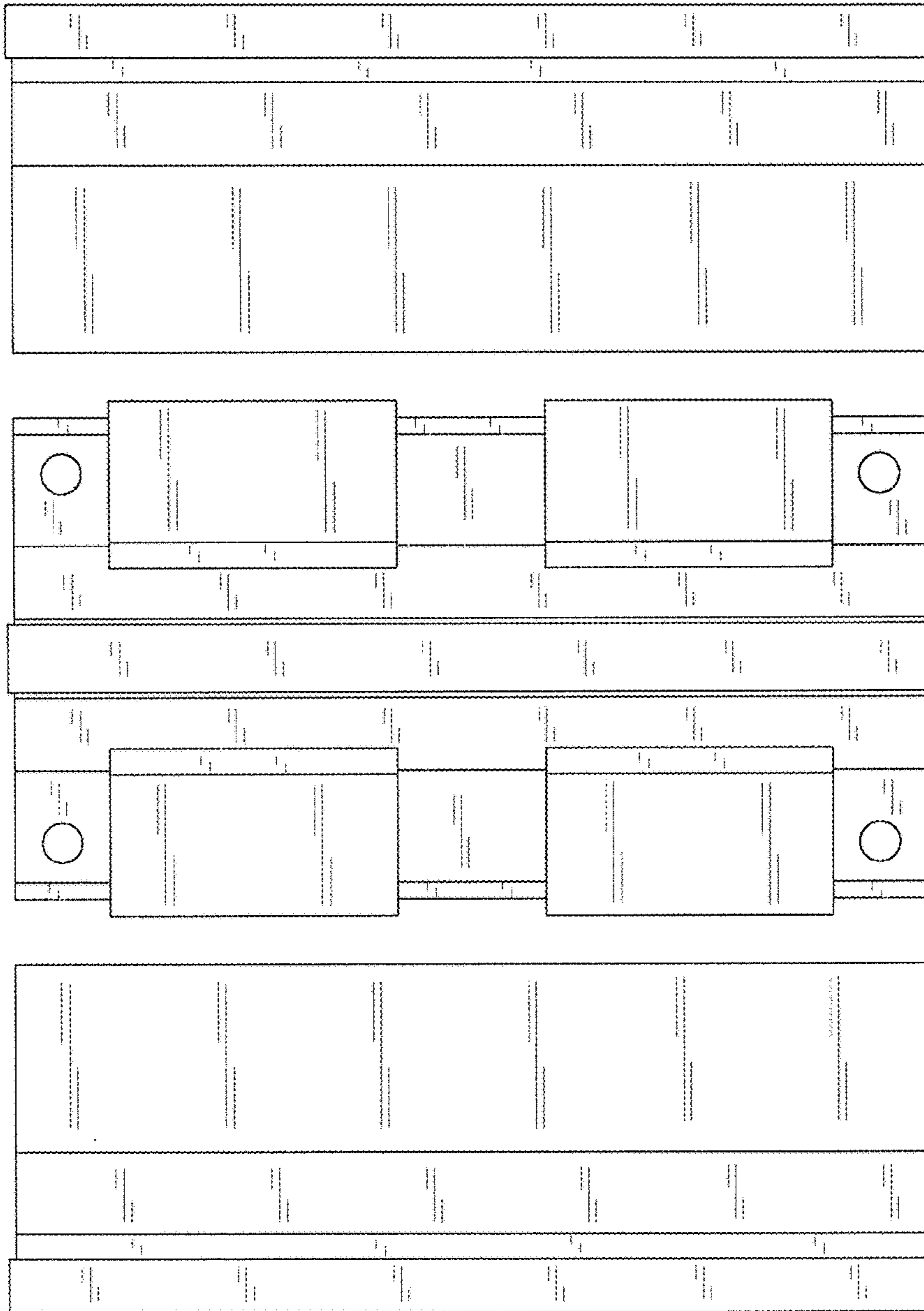


FIG. 5