



US00D835199S

(12) **United States Design Patent**
Inuyama

(10) **Patent No.:** **US D835,199 S**
(45) **Date of Patent:** **** Dec. 4, 2018**

(54) **GRIPPING DEVICE FOR GAME MACHINE**
(71) Applicant: **SEGA GAMES CO., LTD.**, Tokyo (JP)
(72) Inventor: **Keigo Inuyama**, Tokyo (JP)
(**) Term: **15 Years**
(21) Appl. No.: **35/503,975**
(22) Filed: **May 16, 2017**

(80) **Hague Agreement Data**
Int. Filing Date: **May 16, 2017**
Int. Reg. No.: **DM/096715**
Int. Reg. Date: **May 16, 2017**
Int. Reg. Pub. Date: **Nov. 17, 2017**

(51) **LOC (11) Cl.** **21-03**
(52) **U.S. Cl.**
USPC **D21/333**
(58) **Field of Classification Search**
USPC D21/300, 310, 324, 325, 333
CPC A63F 9/00; A63F 9/30; A63F 2250/144;
G07F 17/3253; G07F 17/3297
See application file for complete search history.

(56) **References Cited**
U.S. PATENT DOCUMENTS
2,011,574 A * 8/1935 Fleischer G07F 17/32
221/15
4,684,128 A * 8/1987 Verstraeten G07F 17/32
273/448
4,685,673 A * 8/1987 Verstraeten G07F 17/32
273/448
6,234,487 B1 * 5/2001 Shoemaker, Jr. A63F 9/30
273/447
6,283,475 B1 * 9/2001 Stubben A63F 9/30
273/447

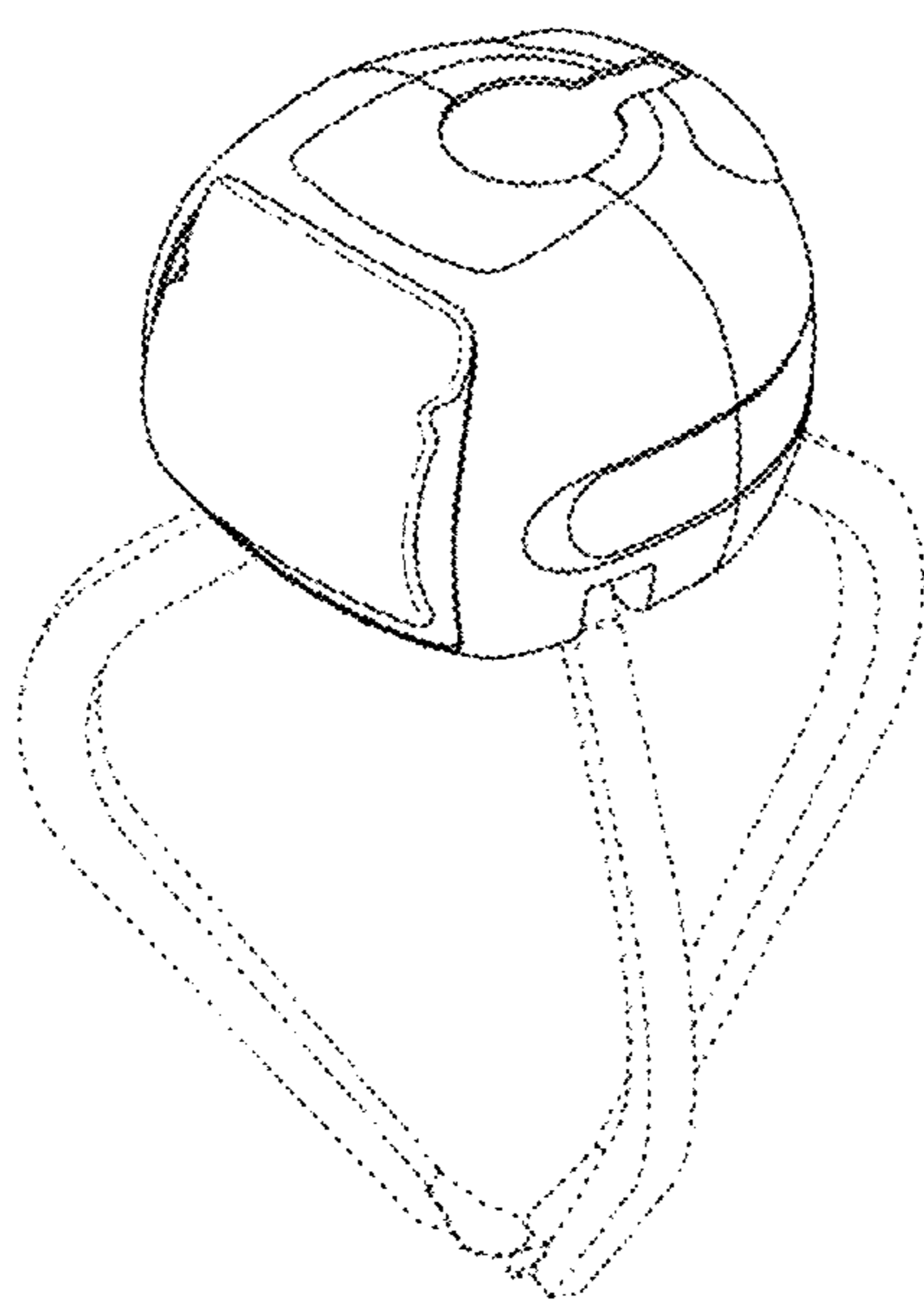
6,921,076 B1 * 7/2005 Norton A63F 9/30
273/447
6,957,813 B2 * 10/2005 Verstraeten A63F 9/30
273/448
7,080,840 B1 * 7/2006 Chen A63F 9/30
273/447
7,604,238 B2 * 10/2009 Verstraeten A63F 9/30
273/448
7,637,507 B2 * 12/2009 Peck A63F 9/30
273/448
8,720,298 B2 * 5/2014 Lehmann B25J 15/0616
414/735
D719,165 S * 12/2014 Hill D14/412
9,533,233 B2 * 1/2017 Rucker A63H 13/02
9,898,885 B1 * 2/2018 Wang G07F 17/3297
2006/0182603 A1 * 8/2006 Hawes B25J 15/0253
414/735

* cited by examiner
Primary Examiner — George D. Kirschbaum
Assistant Examiner — Joseph J Kukella

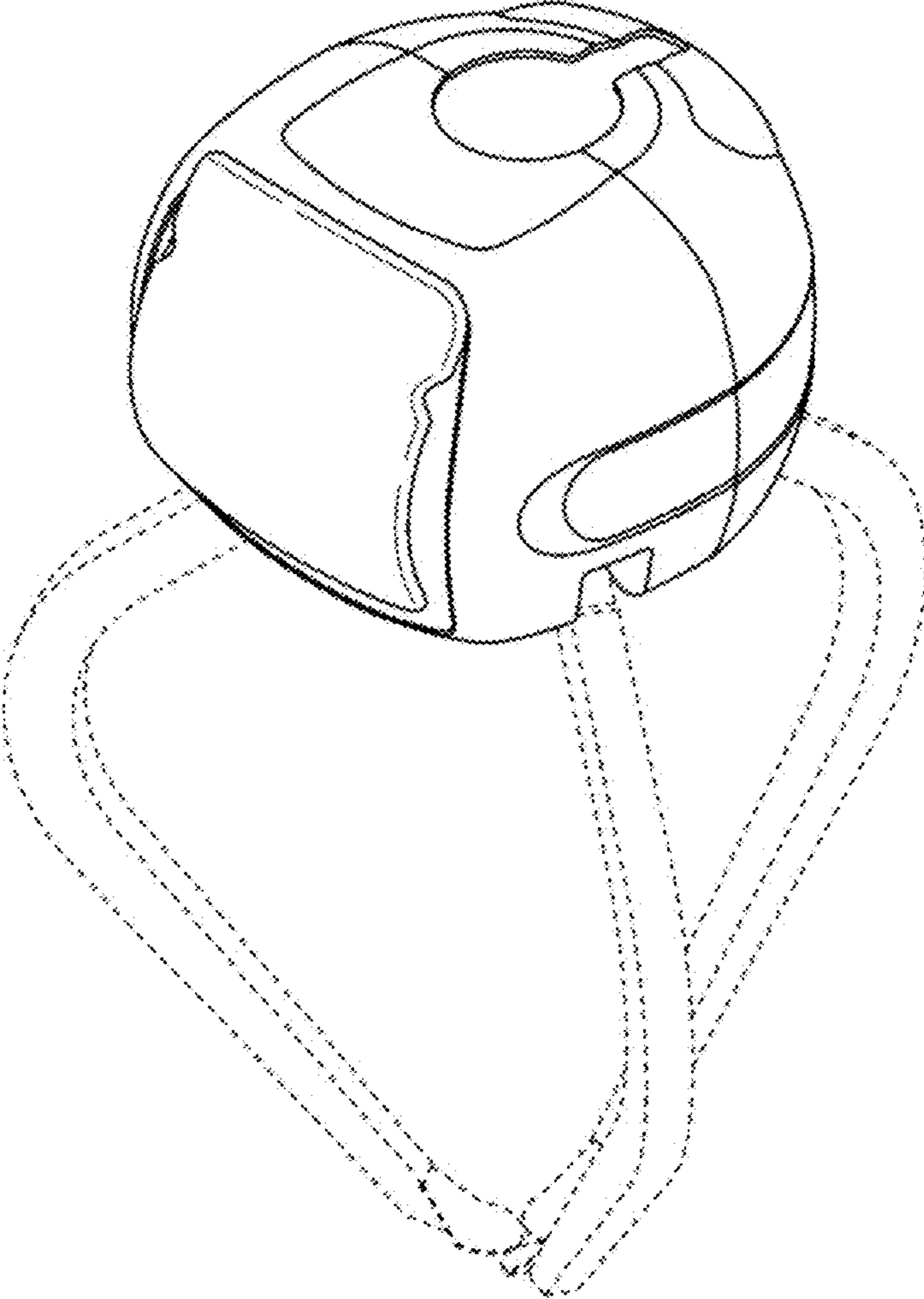
(57) **CLAIM**
The ornamental design for a gripping device for game machine, as shown and described.

DESCRIPTION
1. Gripping device for game machine
1.1 : Perspective
1.2 : Front
1.3 : Back
1.4 : Top
1.5 : Bottom
1.6 : Right
1.7 : Reference perspective
In the drawings the broken lines depict environmental subject matter only and form no part of the claimed design.

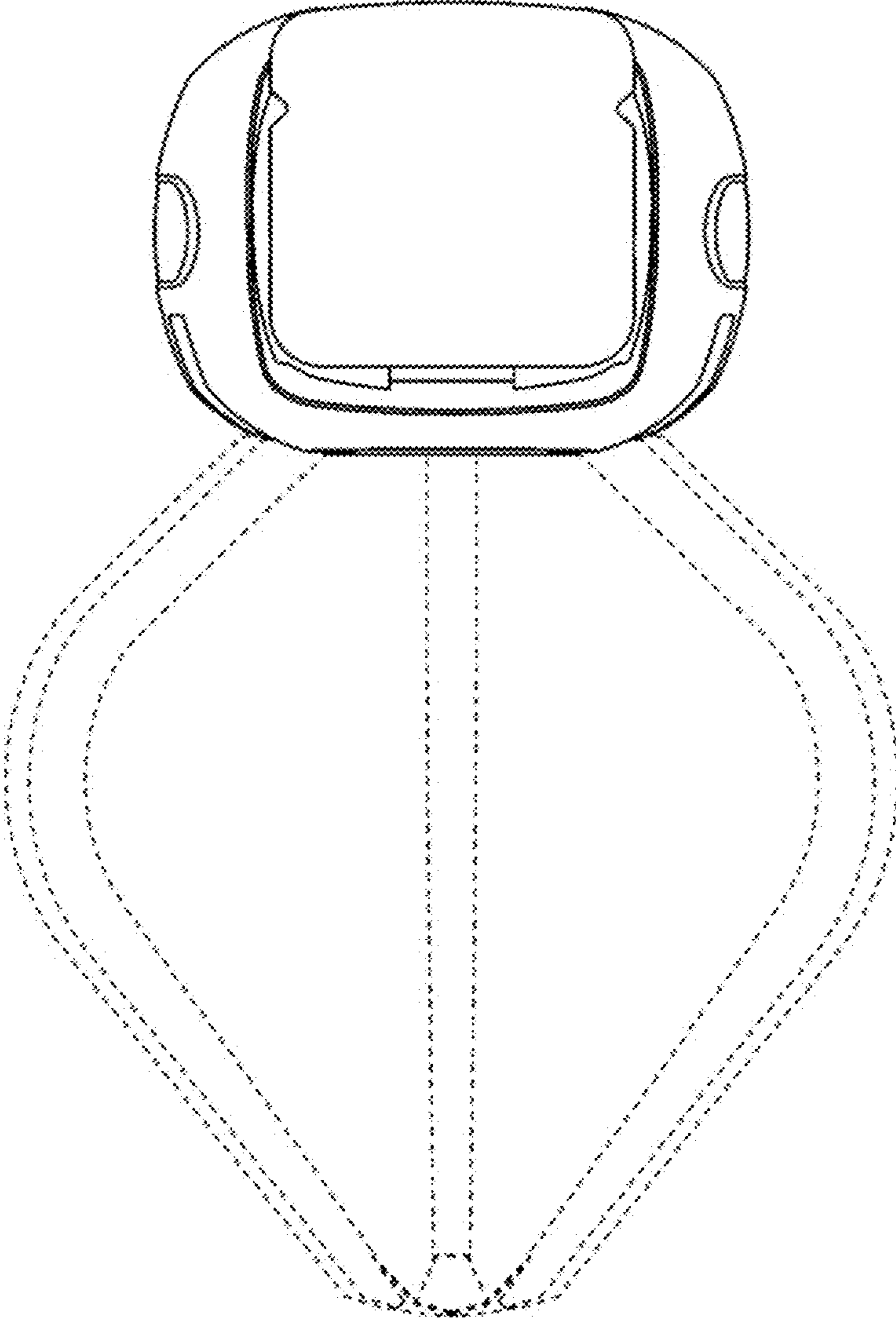
1 Claim, 7 Drawing Sheets



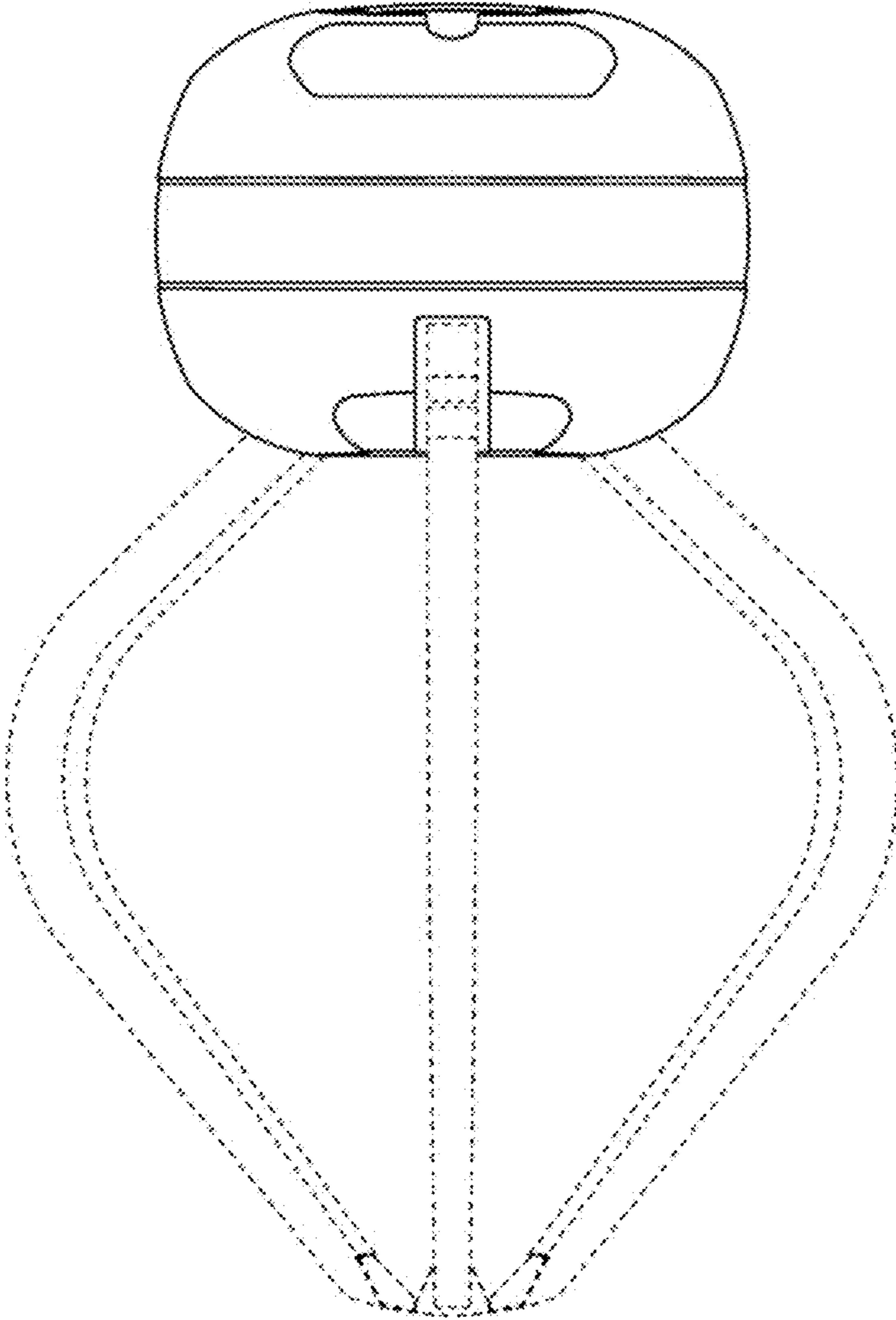
1.1



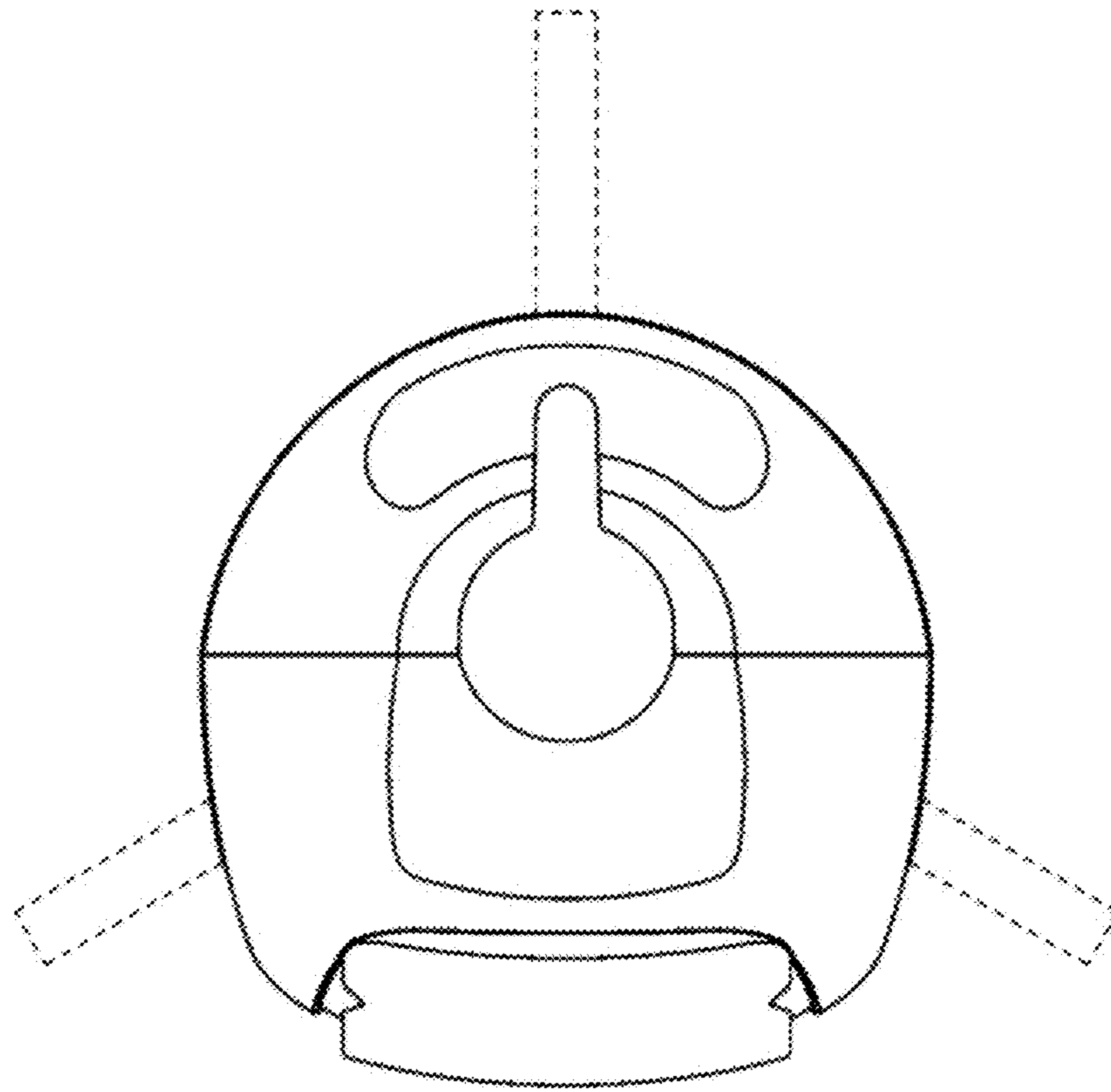
1.2



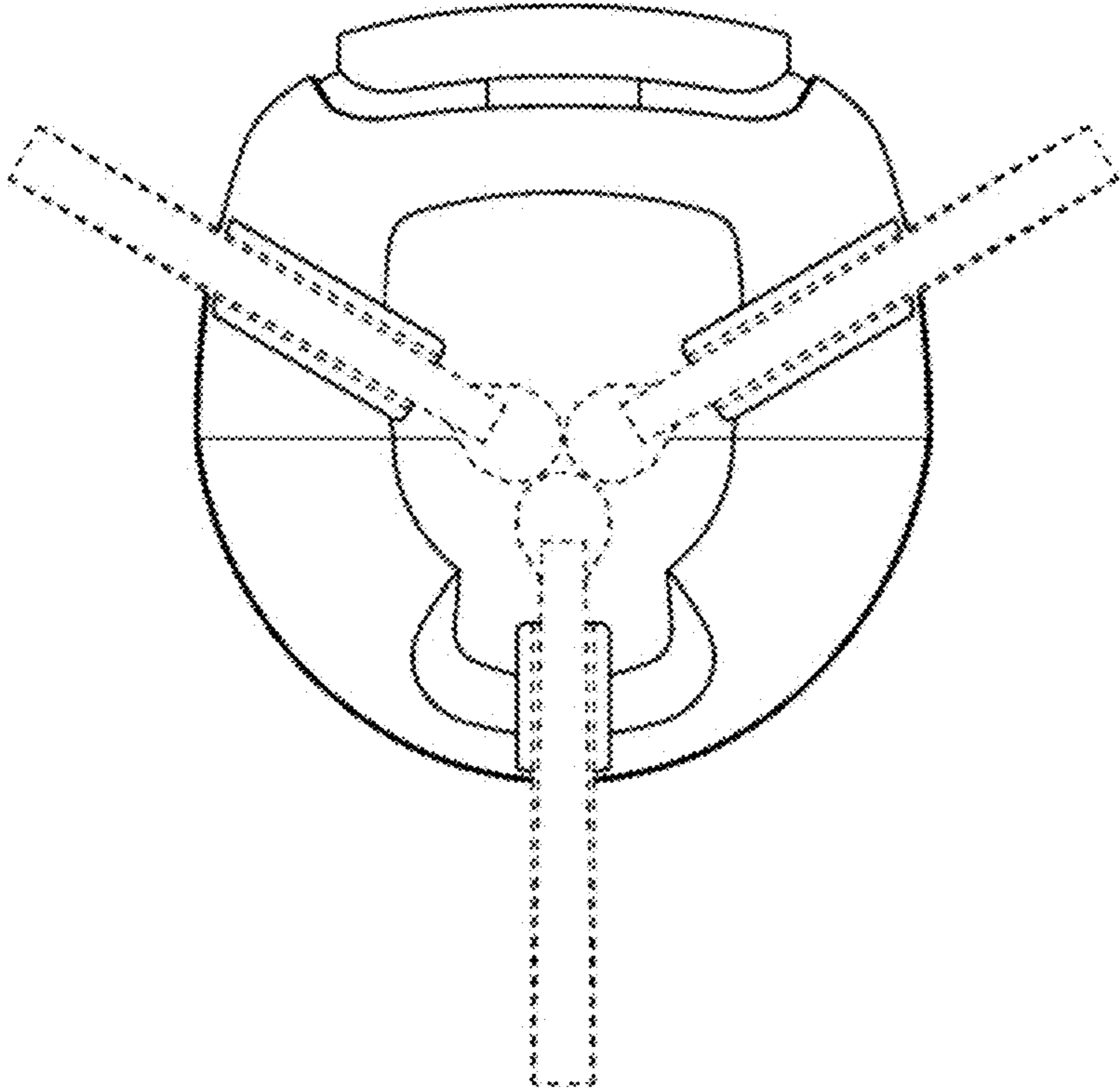
1.3



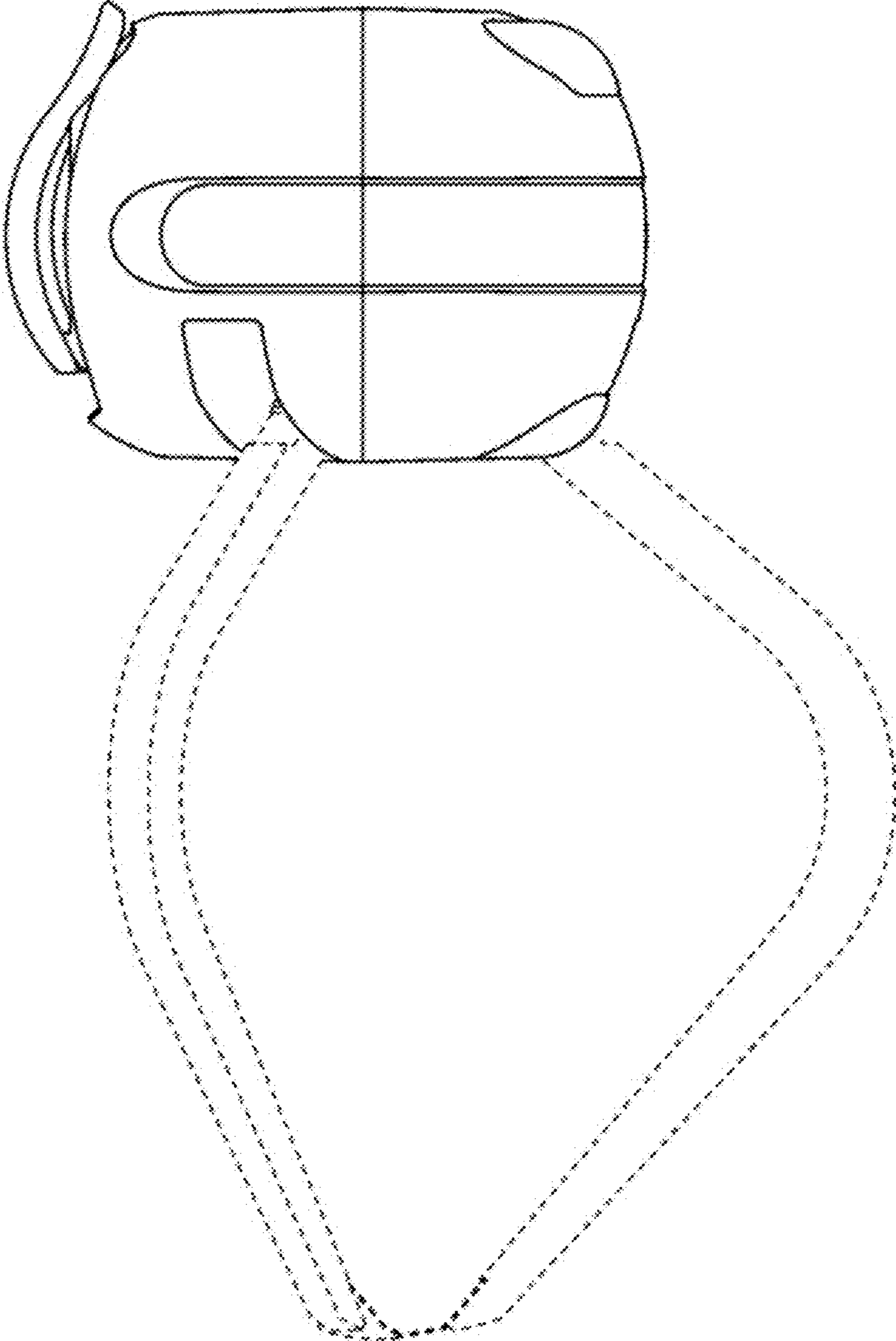
1.4



1.5



1.6



1.7

