



US00D835198S

(12) **United States Design Patent**
Berlinches

(10) **Patent No.:** **US D835,198 S**

(45) **Date of Patent:** **** Dec. 4, 2018**

(54) **BASE FRAME FOR RACING SIMULATOR COCKPIT**

(71) Applicant: **F. Smit Holding B.V.**, Doetinchem (NL)

(72) Inventor: **David Nadal Berlinches**, Madrid (ES)

(73) Assignee: **F. SMIT HOLDING B.V.**, Doetinchem (NL)

(**) Term: **15 Years**

(21) Appl. No.: **29/598,310**

(22) Filed: **Mar. 24, 2017**

(30) **Foreign Application Priority Data**

Sep. 26, 2016 (EM) 03394832-0001

(51) **LOC (11) Cl.** **21-01**

(52) **U.S. Cl.**
USPC **D21/326**

(58) **Field of Classification Search**

USPC D14/172, 173, 203.1–203.7, 496, 188, D14/265; D21/324, 325, 369, 326, 327; 273/148 B; 463/1, 28–35, 46, 47; 369/1, 369/6–12, 24.01, 30.06, 30.07, 30.08, 369/30.23; 710/1; 711/100, 111
CPC A63F 9/00; A63F 9/24; A63F 1/00; A63F 3/00; G07F 17/32; G07F 17/3211; G07F 17/3216; G07F 17/322; G07F 17/3272; G07F 17/3283

See application file for complete search history.

(56) **References Cited**

U.S. PATENT DOCUMENTS

5,911,634 A * 6/1999 Nidata A63F 13/08 434/55
6,083,106 A * 7/2000 McDowell A63F 13/02 434/62

6,132,314 A * 10/2000 Aiki A63B 22/0076 463/36
D446,263 S * 8/2001 Heys D21/326
6,612,929 B2 * 9/2003 Fujimoto A63F 13/06 463/32
6,739,974 B2 * 5/2004 Kanno A63F 13/10 273/148 B
D527,054 S * 8/2006 Brase D21/326
D656,553 S * 3/2012 Blaskov D21/326
D658,721 S * 5/2012 Yang D21/326
D682,360 S * 5/2013 Bhirombhakdi D21/326
D701,917 S * 4/2014 Ghahramanian D21/326

* cited by examiner

Primary Examiner — Keli L Hill

(74) *Attorney, Agent, or Firm* — Abelman, Frayne & Schwab

(57) **CLAIM**

The ornamental design for a base frame for racing simulator cockpit, as shown and described.

DESCRIPTION

FIG. 1 is a top, rear, and left side perspective view of a base frame for racing simulator cockpit, according to the present invention;

FIG. 2 is a left side view thereof, the right side view being a mirror image thereof;

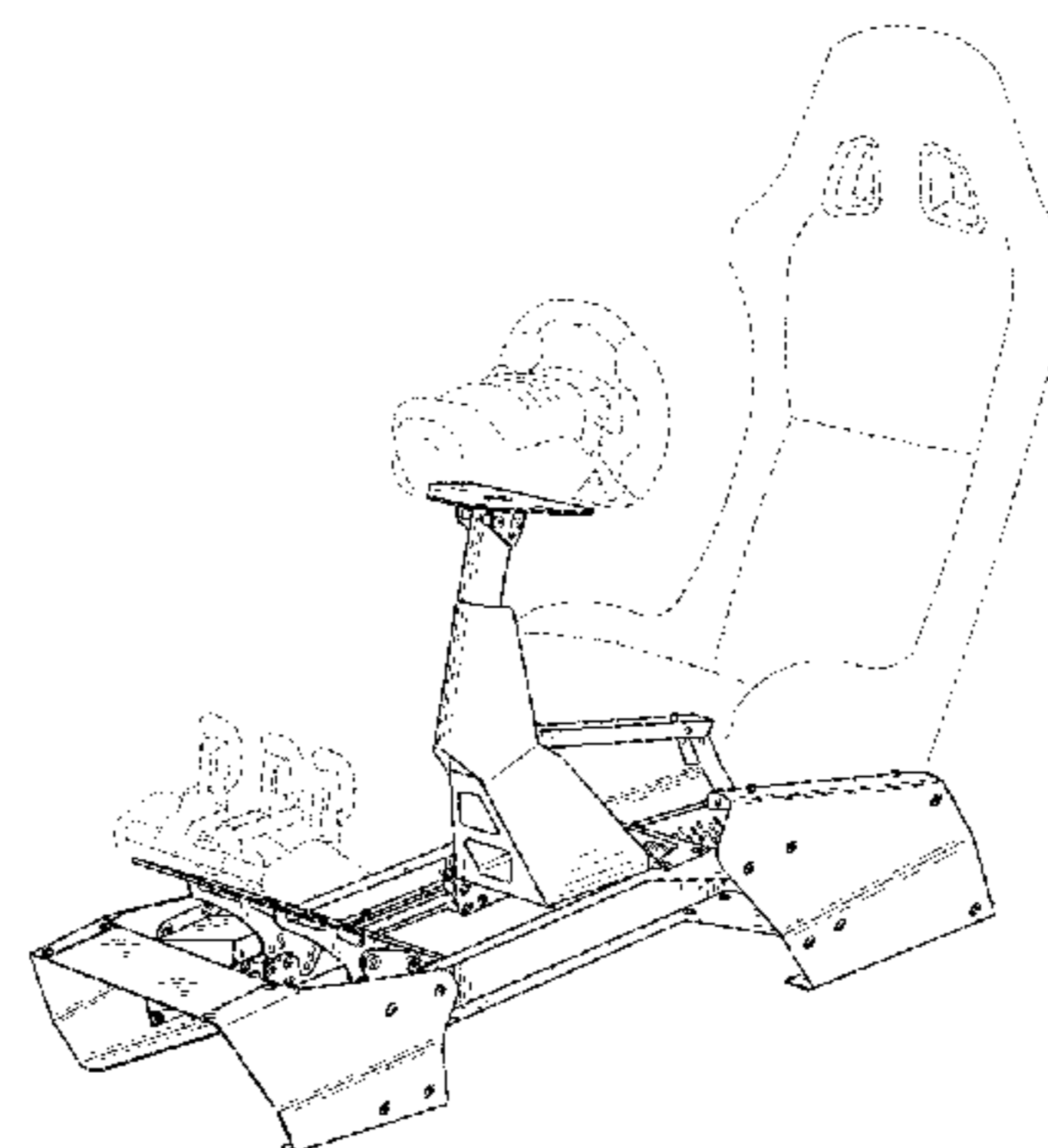
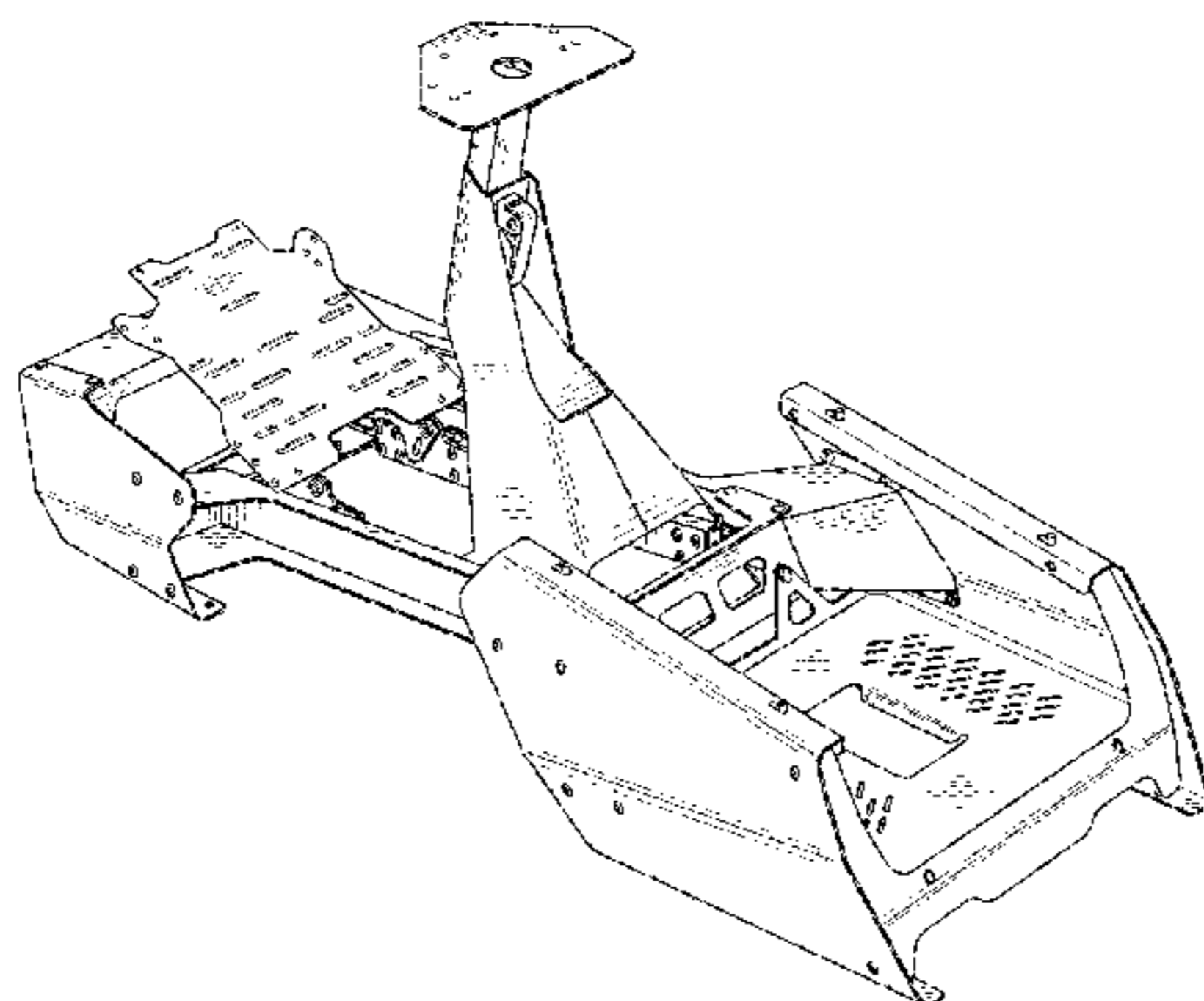
FIG. 3 is a front view thereof;

FIG. 4 is a rear view thereof;

FIG. 5 is a top view thereof; and,

FIG. 6 is a top, front, and left side perspective view thereof. The portions of the disclosure that are shown in broken lines form no part of the claimed design. The broken lines indicate unclaimed portions and form no part of the claimed design.

1 Claim, 6 Drawing Sheets



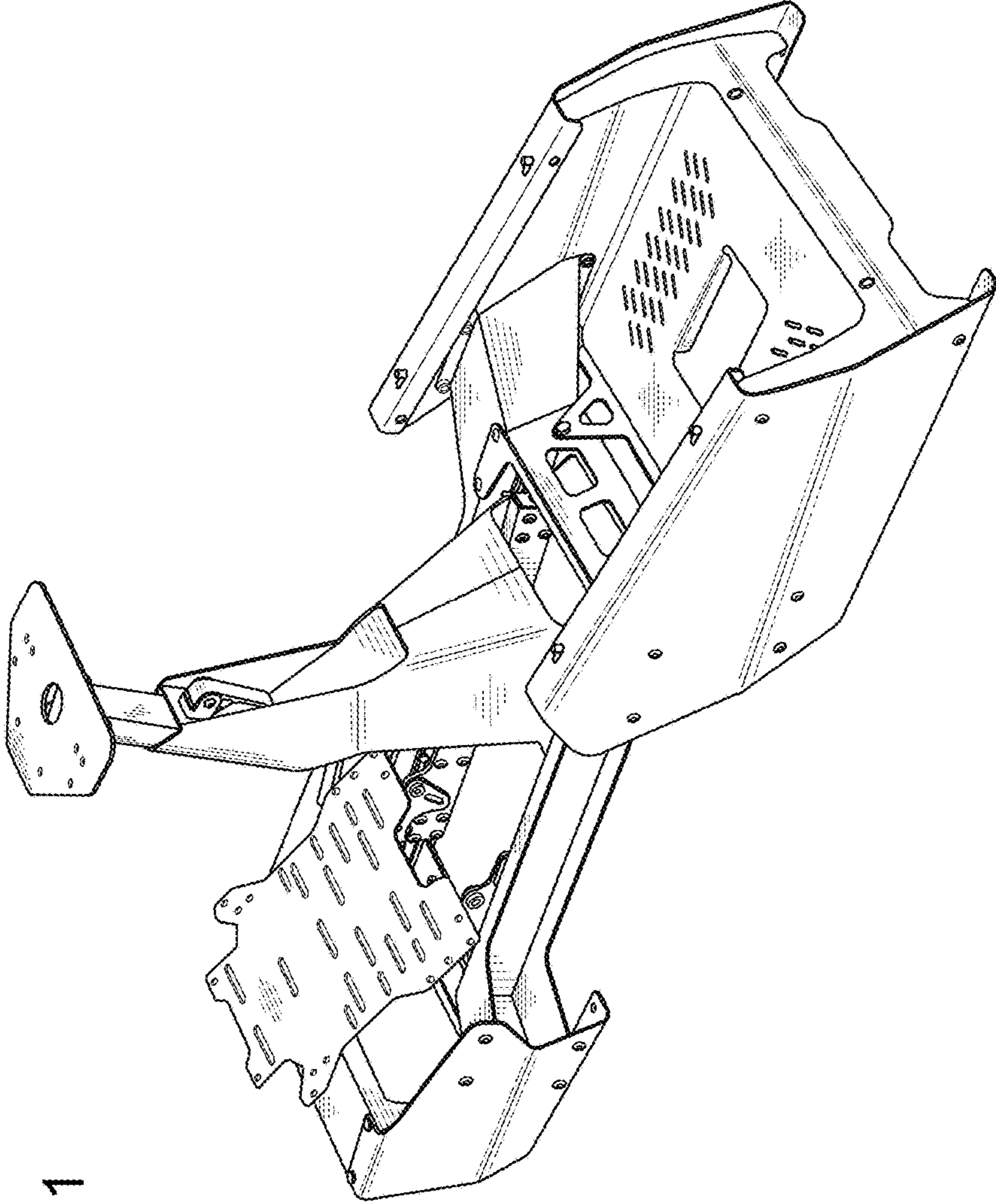


FIG. 1

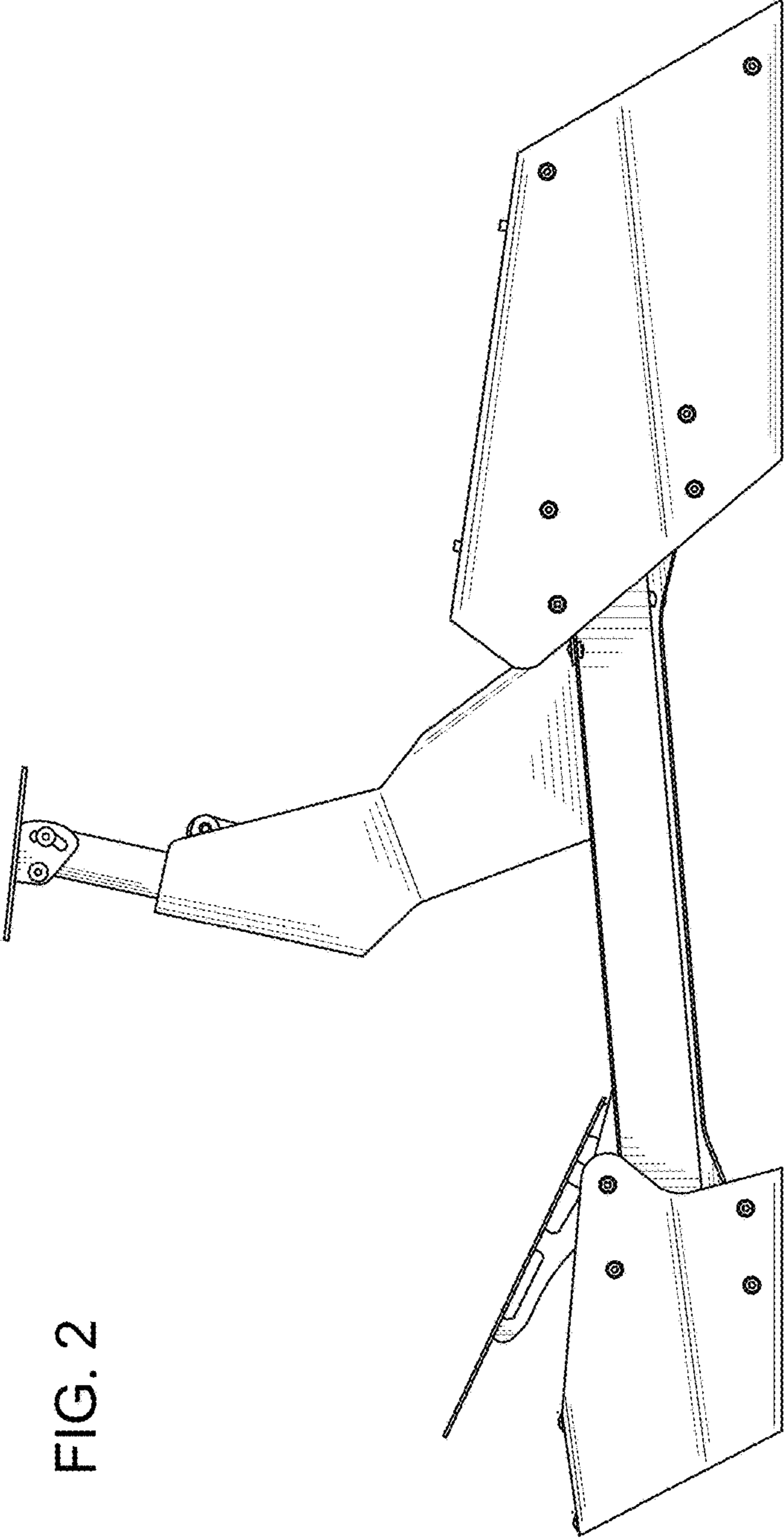


FIG. 2

FIG. 3

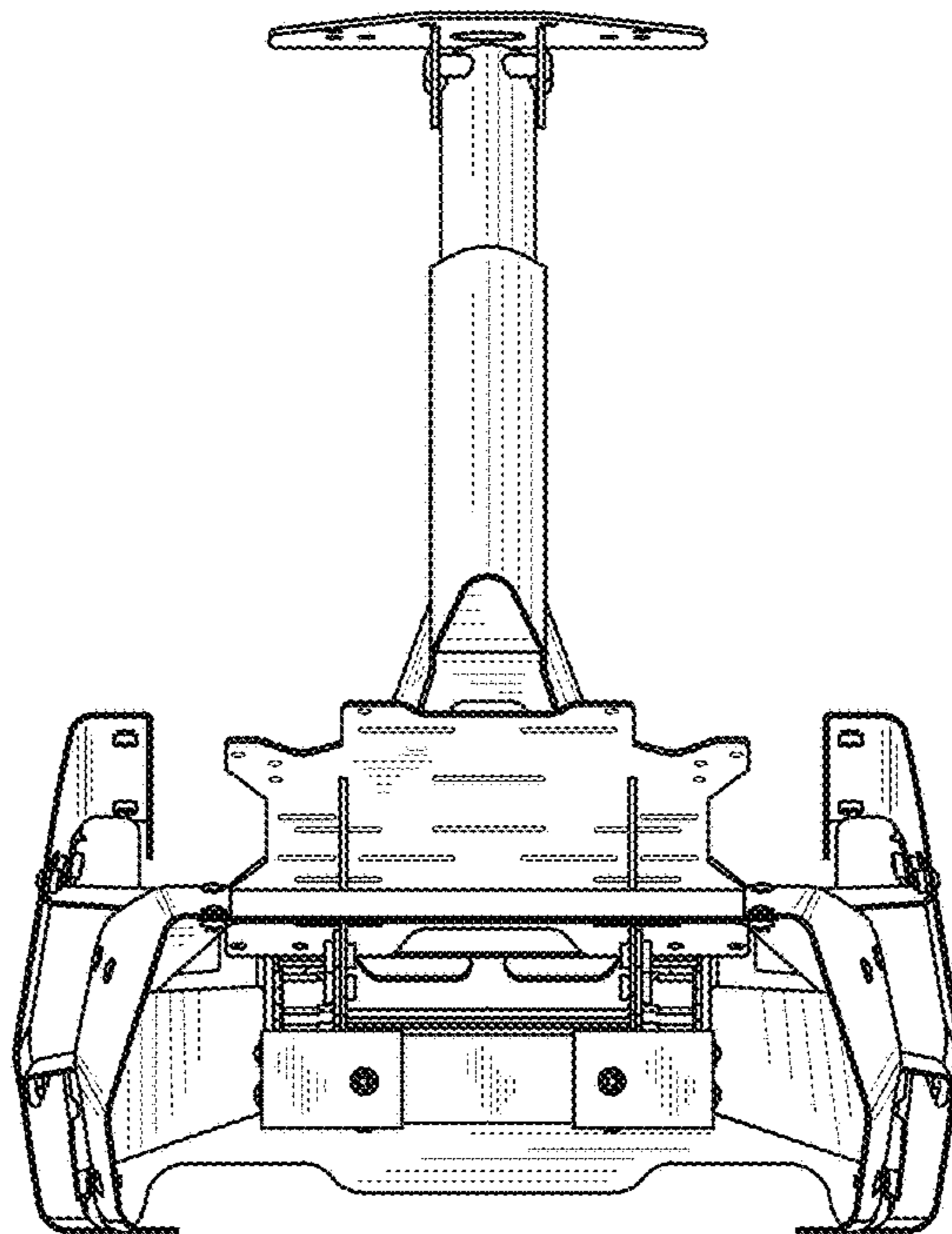


FIG. 4

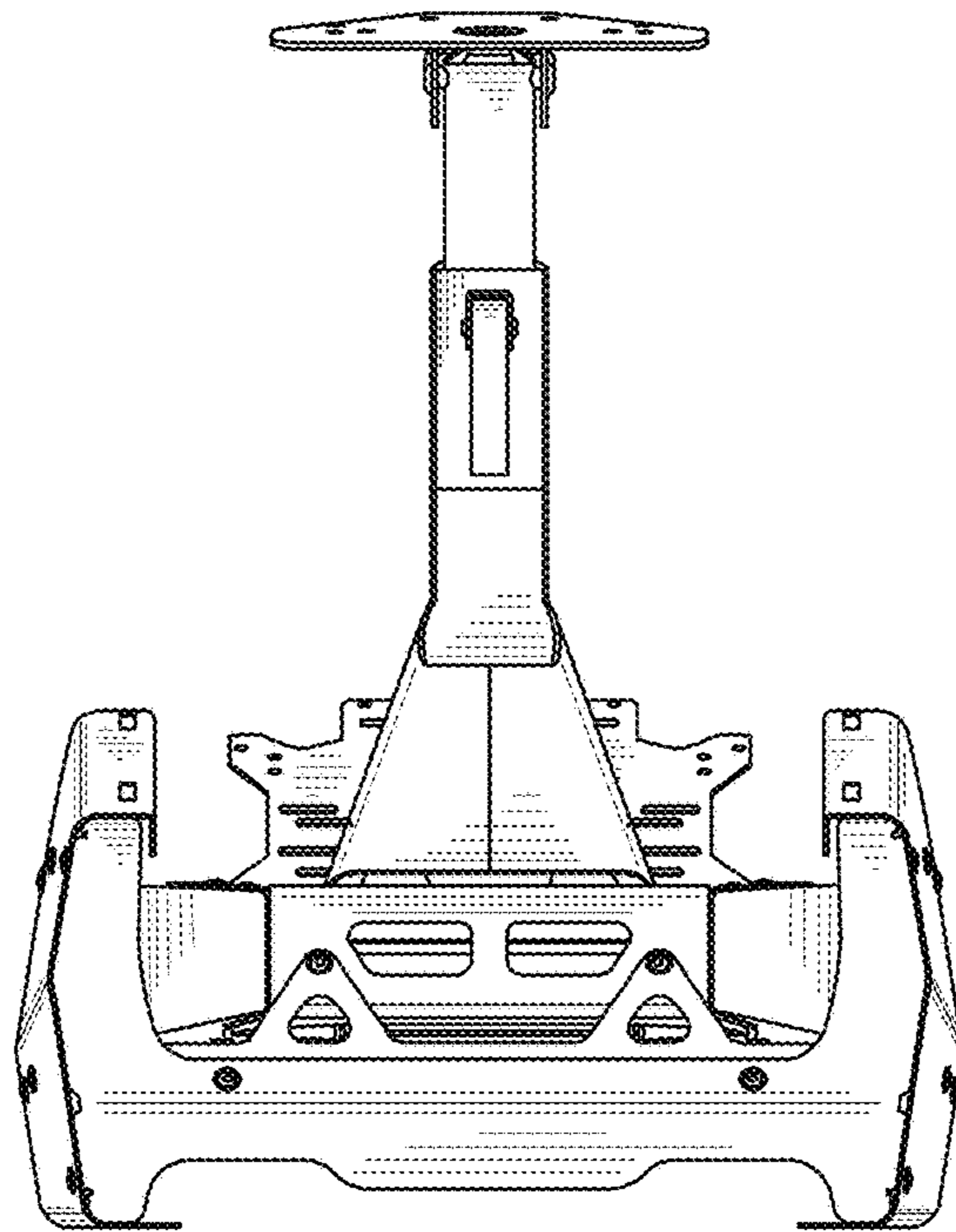


FIG. 5

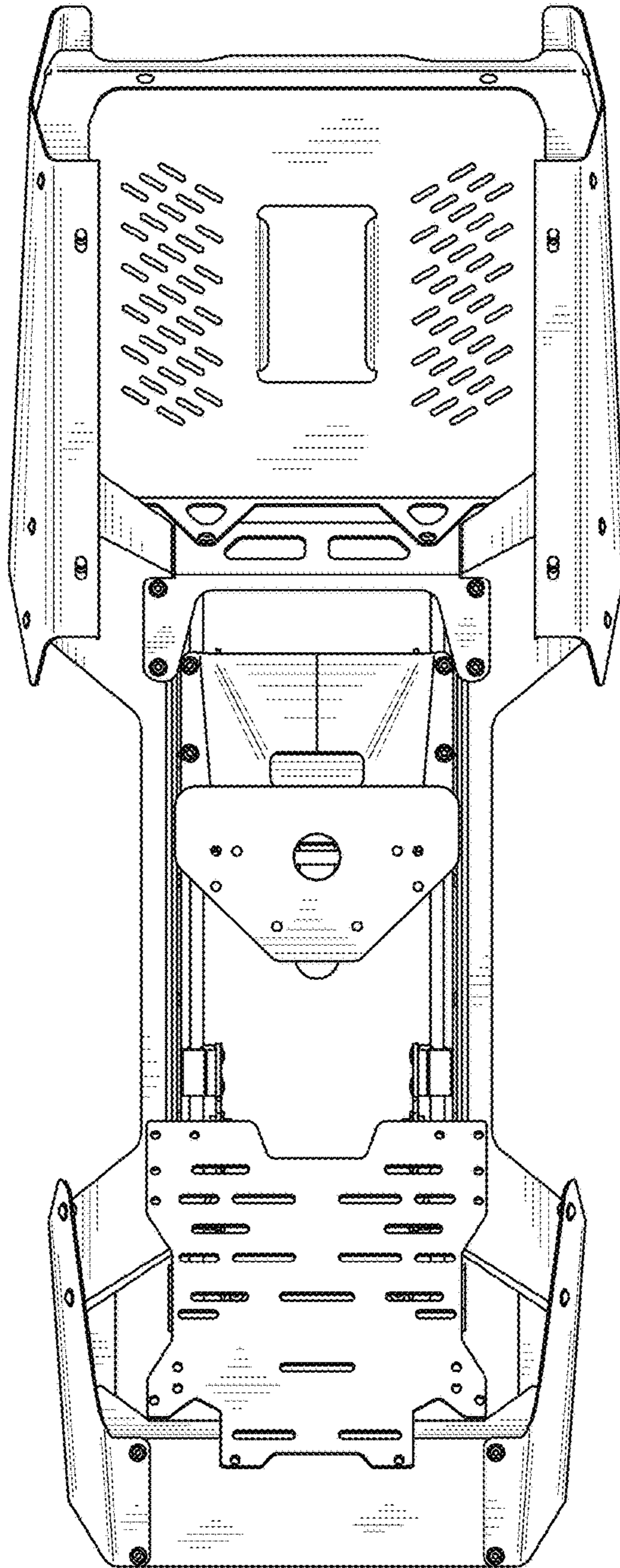


FIG. 6

