



US00D835195S

(12) **United States Design Patent**
Gonzales, Jr.

(10) **Patent No.:** **US D835,195 S**
(45) **Date of Patent:** **** Dec. 4, 2018**

- (54) **HORSESHOE GAME**
- (71) Applicant: **Billy P. Gonzales, Jr.**, Solomon, AZ
(US)
- (72) Inventor: **Billy P. Gonzales, Jr.**, Solomon, AZ
(US)
- (**) Term: **15 Years**
- (21) Appl. No.: **29/587,533**
- (22) Filed: **Dec. 14, 2016**
- (51) **LOC (11) Cl.** **21-01**
- (52) **U.S. Cl.**
USPC **D21/304**; D21/338; D21/397
- (58) **Field of Classification Search**
USPC D21/304, 397, 300, 301, 313, 314, 318,
D21/321, 334, 338, 339, 365; 473/591,
473/569; 273/336-338, 309, 317.1, 317,
273/343, 348, 407, 108, 126 R, 127 R,
273/236, 277, 282.3, 287, 148 R, 440,
273/441
CPC A63F 2009/0213; A63F 2009/0217; A63F
9/02; A63F 9/0204; A63F 7/00; A63F
7/0005; A63F 7/0017; A63F 7/0023;
A63F 7/30; A63F 7/36; A63F 3/00028;
A63F 3/00173; A63F 3/00895; A63H
33/18; A63B 2067/063; A63B 2067/065;
A63B 65/00; A63B 67/04; A63B 67/06
See application file for complete search history.

(56) **References Cited**

U.S. PATENT DOCUMENTS

- D468,214 S 2/1892 Williams
- 1,546,810 A * 7/1925 Streit A63B 67/06
273/337
- 1,564,863 A * 12/1925 Laing A63F 9/02
273/353
- 1,997,238 A 4/1935 Sharp

- 2,007,885 A 7/1935 Spriggs
- 2,068,200 A 1/1937 Shelter
- 2,265,517 A * 12/1941 Clement A63F 9/0208
273/336
- D134,685 S * 12/1942 Schlottenmeier D21/304
- 2,432,824 A * 12/1947 Shetler A63B 65/12
124/16
- 2,472,719 A 6/1949 Mysels
- 2,514,994 A * 7/1950 Falk A63F 9/0252
124/17
- 2,576,326 A * 11/1951 Wostrel A63B 65/12
273/126 R
- 2,793,861 A 5/1957 Konopka
- 2,912,246 A * 11/1959 Hayward A63B 65/12
124/7
- 3,241,540 A 3/1966 Corby
- 3,356,368 A * 12/1967 Dixon A63F 9/0204
273/336
- D215,220 S * 9/1969 Eide D21/397
- 3,466,042 A * 9/1969 Lucci A63F 7/0684
273/108.53
- D218,764 S * 9/1970 Abraham D21/304
- D221,873 S * 9/1971 Stoy D21/304

(Continued)

Primary Examiner — Susan Moon Lee

(74) *Attorney, Agent, or Firm* — Cramer Patent & Design,
PLLC; Aaron R. Cramer

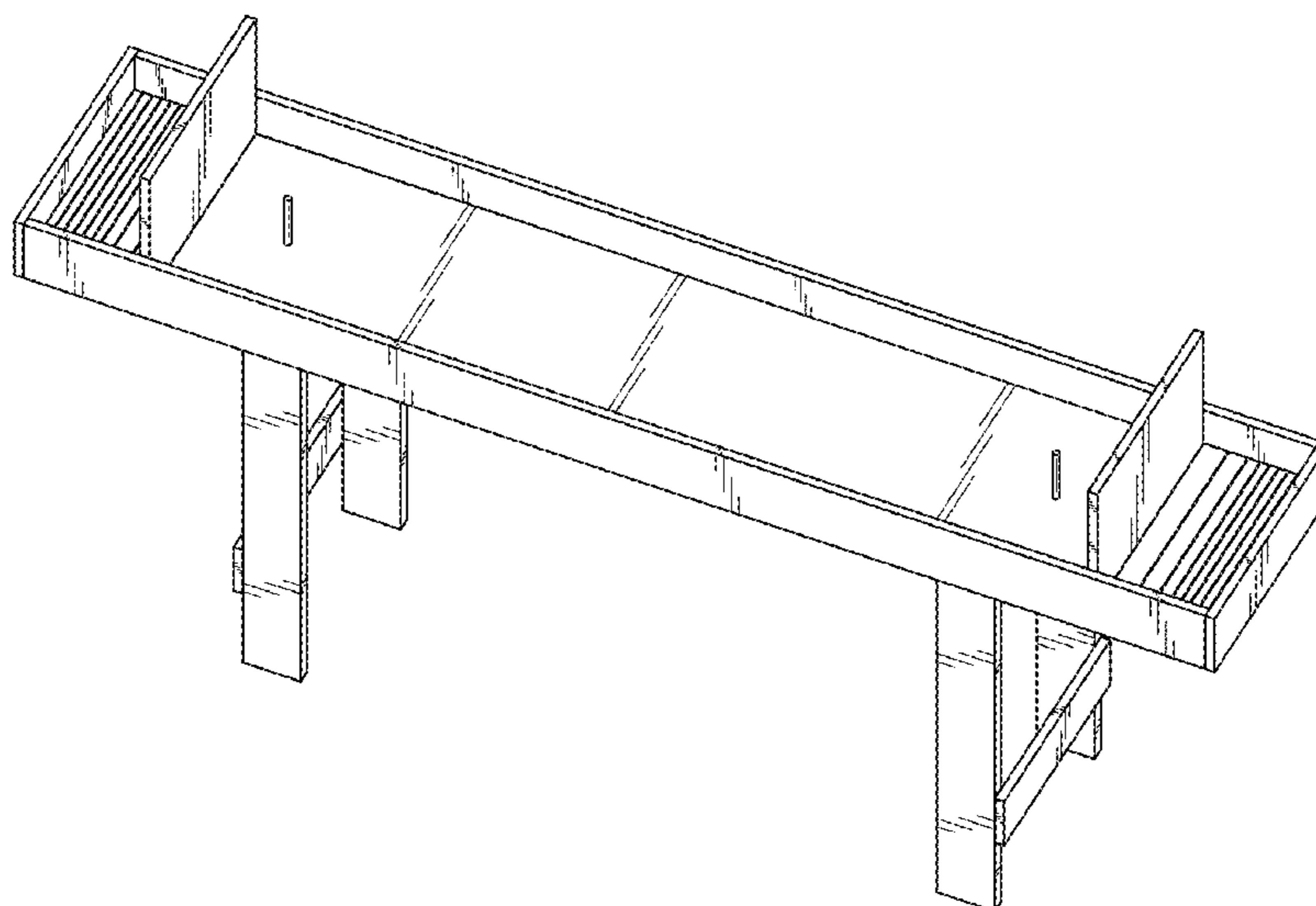
(57) **CLAIM**

The ornamental design for a horseshoe game, as shown and described.

DESCRIPTION

FIG. 1 is a top right side perspective view of a horseshoe game, showing my new design;
 FIG. 2 is a right side elevation view thereof, with the left side elevation view being identical;
 FIG. 3 is a front side elevation view thereof, with the rear side elevation view being identical;
 FIG. 4 is a top plan view thereof; and,
 FIG. 5 is a bottom plan view thereof.

1 Claim, 5 Drawing Sheets



(56)

References Cited

U.S. PATENT DOCUMENTS

3,690,660 A * 9/1972 Olkowski A63F 9/02
124/34
3,773,330 A * 11/1973 Glass A63F 9/02
124/42
3,825,264 A * 7/1974 Dockum A63F 7/0005
273/126 R
D239,044 S * 3/1976 Jackson D21/303
3,989,254 A * 11/1976 Cooper A63F 3/00075
273/262
D257,745 S * 12/1980 Abraham D21/304
4,300,766 A * 11/1981 Haynes A63F 7/3603
273/108.1
4,688,803 A * 8/1987 Ollington A63F 3/00157
273/146
D377,669 S * 1/1997 Walker D21/358
5,865,681 A * 2/1999 Tudek A63F 7/0017
473/15
5,884,911 A * 3/1999 Guridi A63F 7/0672
273/109

D408,459 S * 4/1999 Schwarz D21/318
5,971,396 A * 10/1999 Wieland A63B 67/06
273/317.1
D446,250 S * 8/2001 Quiroga D21/318
D604,772 S * 11/2009 Tower D21/318
8,016,288 B1 * 9/2011 Guridi A63F 7/2472
273/118 R
8,439,359 B2 * 5/2013 Stites A63B 67/04
273/126 A
D757,858 S * 5/2016 Guridi D21/397
9,468,840 B2 * 10/2016 Nally A63F 7/0612
2005/0189717 A1 9/2005 Wieland
2008/0006185 A1 * 1/2008 Peng A47B 3/08
108/115
2014/0213380 A1 * 7/2014 Haase A63D 15/04
473/20
2016/0058178 A1 * 3/2016 Guridi H05K 999/99
273/309
2016/0220895 A1 * 8/2016 Rosa A63F 7/0616
2017/0266526 A1 * 9/2017 Wolovlek A63B 67/06

* cited by examiner

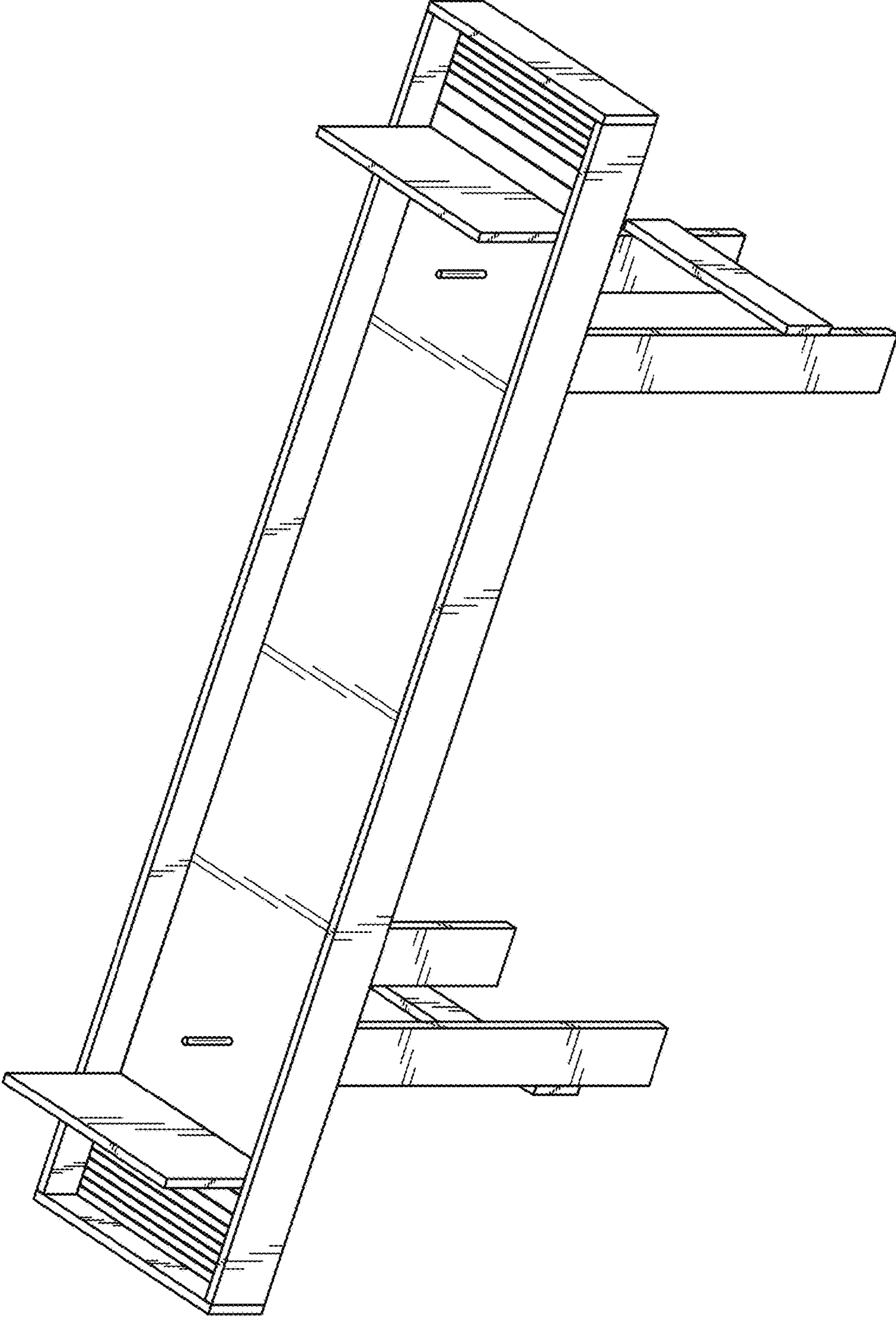


FIG. 1

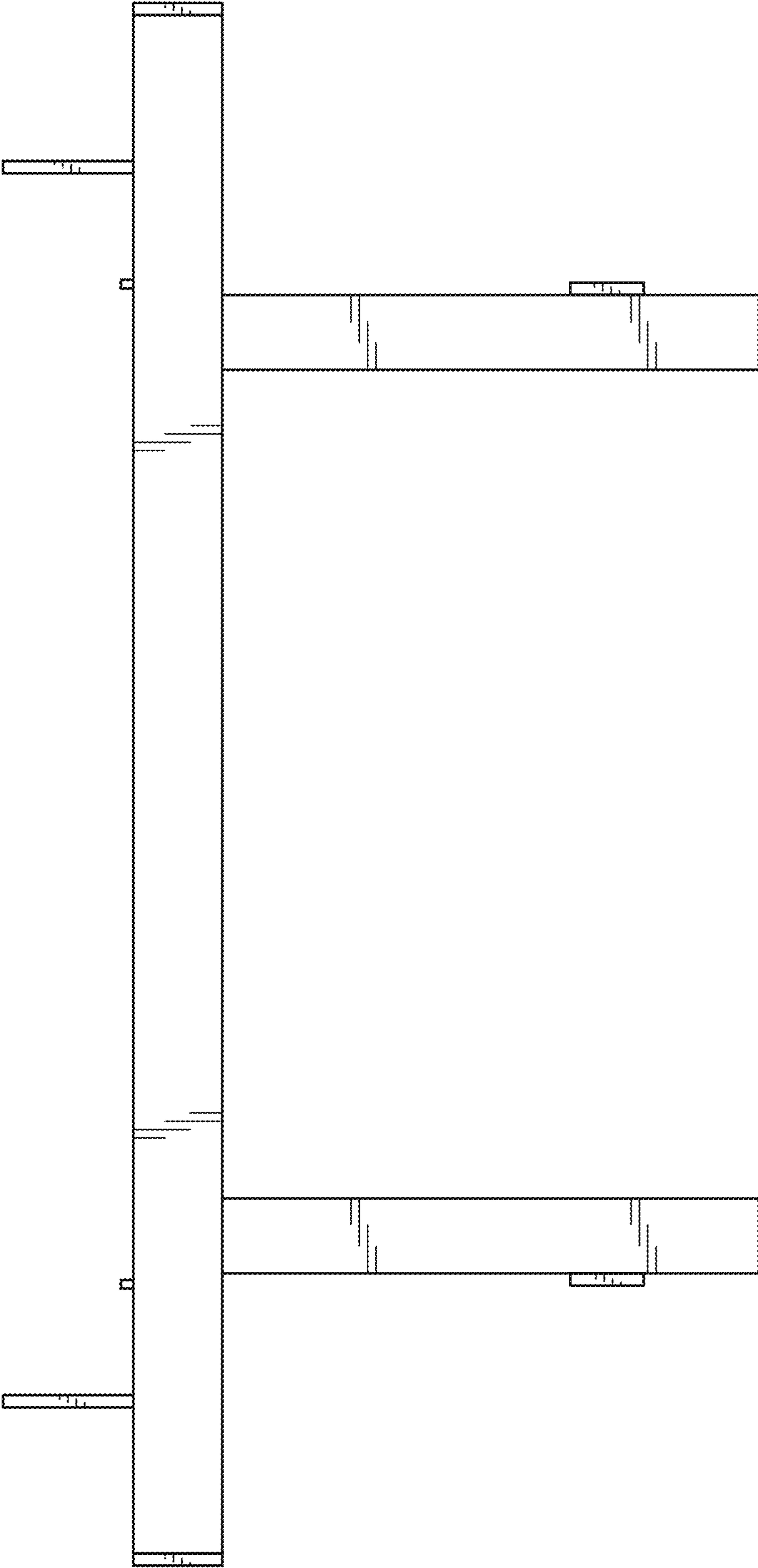


FIG. 2

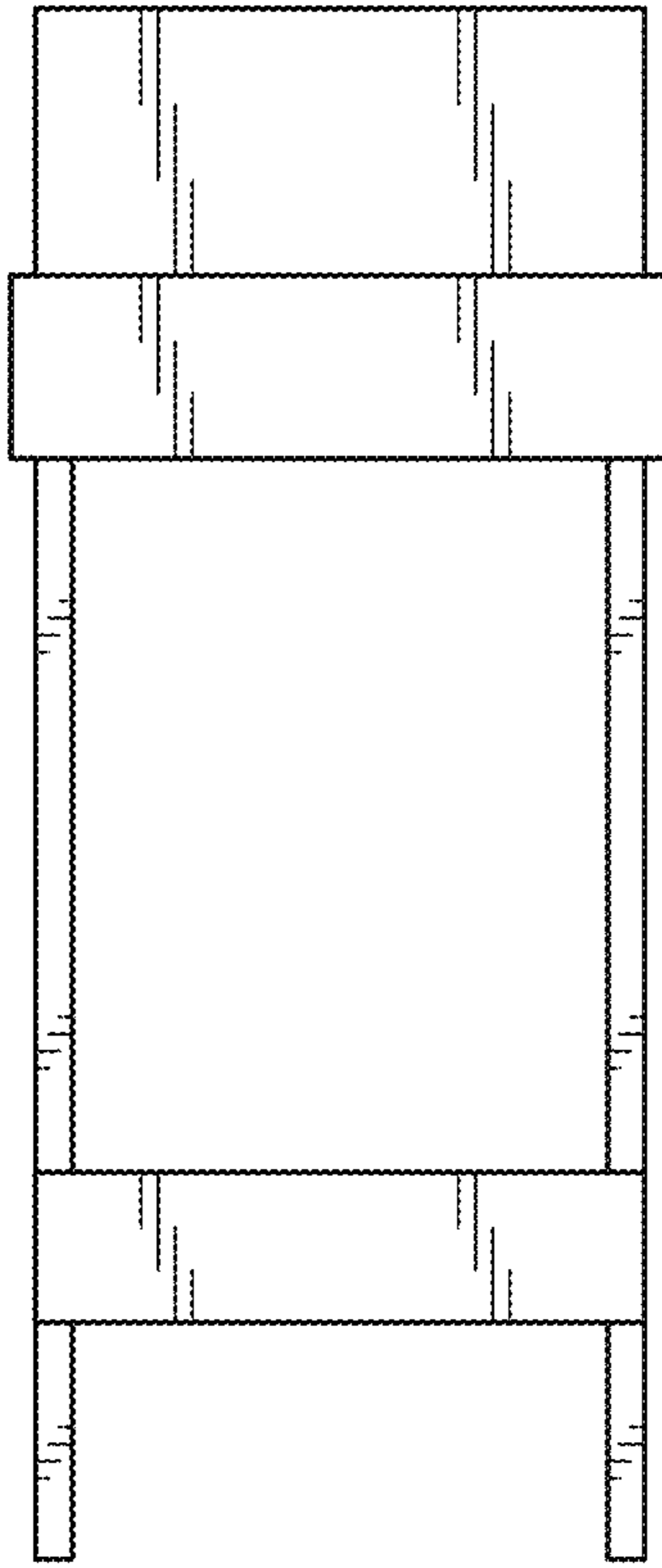


FIG. 3

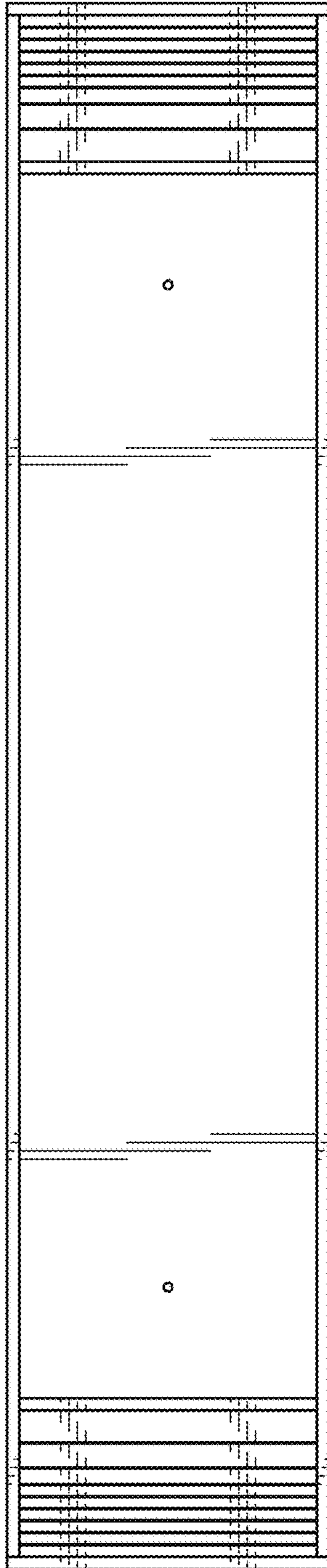


FIG. 4

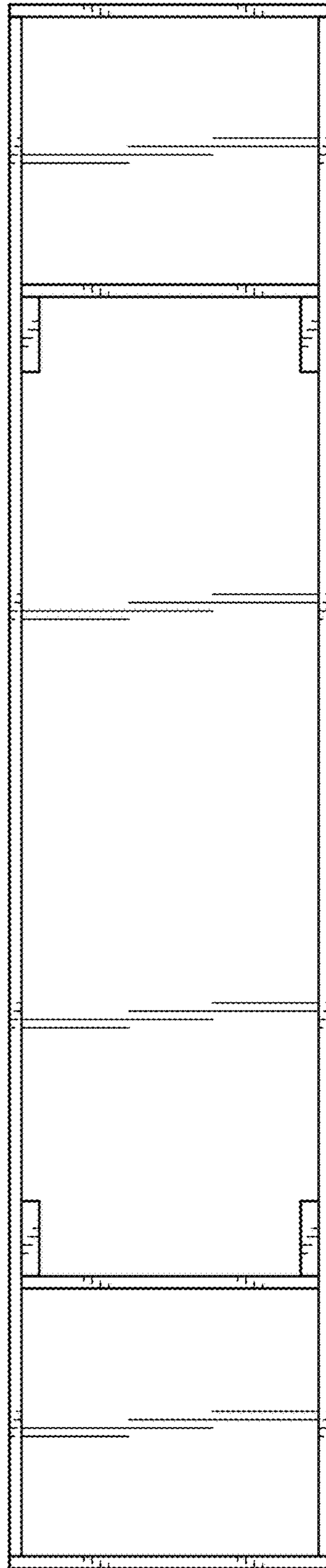


FIG. 5