



US00D835191S

(12) **United States Design Patent** (10) **Patent No.:** **US D835,191 S**
Jin (45) **Date of Patent:** **** Dec. 4, 2018**

(54) **PEN**
(71) Applicant: **Beifa Group Co., Ltd.**, Ningbo (CN)
(72) Inventor: **Tianyu Jin**, Ningbo (CN)
(73) Assignee: **Beifa Group Co., Ltd.**, Ningbo (CN)
(**) Term: **15 Years**

(21) Appl. No.: **29/592,091**
(22) Filed: **Jan. 26, 2017**

(30) **Foreign Application Priority Data**

Jul. 29, 2016 (CN) 2016 3 0354060

(51) **LOC (11) Cl.** **19-06**

(52) **U.S. Cl.**
USPC **D19/169; D19/168**

(58) **Field of Classification Search**
USPC D19/196, 187, 179, 177, 176, 175, 173,
D19/169, 153, 117, 113, 164, 906, 904,
D19/912, 916, 917, 918
CPC B43K 24/03; B43K 23/12; B43K 23/001;
G09B 5/04; G06F 3/03545
See application file for complete search history.

(56) **References Cited**

U.S. PATENT DOCUMENTS

D303,990 S * 10/1989 Petterson D19/168
D329,460 S * 9/1992 Rousseau D19/168
D354,309 S * 1/1995 Lin D10/31

D440,601 S * 4/2001 Sasaki D19/169
D472,923 S * 4/2003 Wang D19/164
D475,404 S * 6/2003 De Bon D19/164
D545,366 S * 6/2007 Ternovits D19/169
D547,375 S * 7/2007 Gerules D19/168
D556,825 S * 12/2007 Bruzzi D19/168
D611,098 S * 3/2010 Collin D19/169
D678,942 S * 3/2013 Yuan D19/163

* cited by examiner

Primary Examiner — Cynthia Ramirez

Assistant Examiner — Laura H Yu

(74) *Attorney, Agent, or Firm* — Seed Intellectual Property Law Group LLP

(57) **CLAIM**

I claim the ornamental design for a pen, as shown and described.

DESCRIPTION

FIG. 1 is a front right perspective view of a pen showing my new design.

FIG. 2 is a front elevational view thereof.

FIG. 3 is a rear elevational view thereof.

FIG. 4 is a right side elevational view thereof, with the left side elevational view being a mirror image of the right side elevational view.

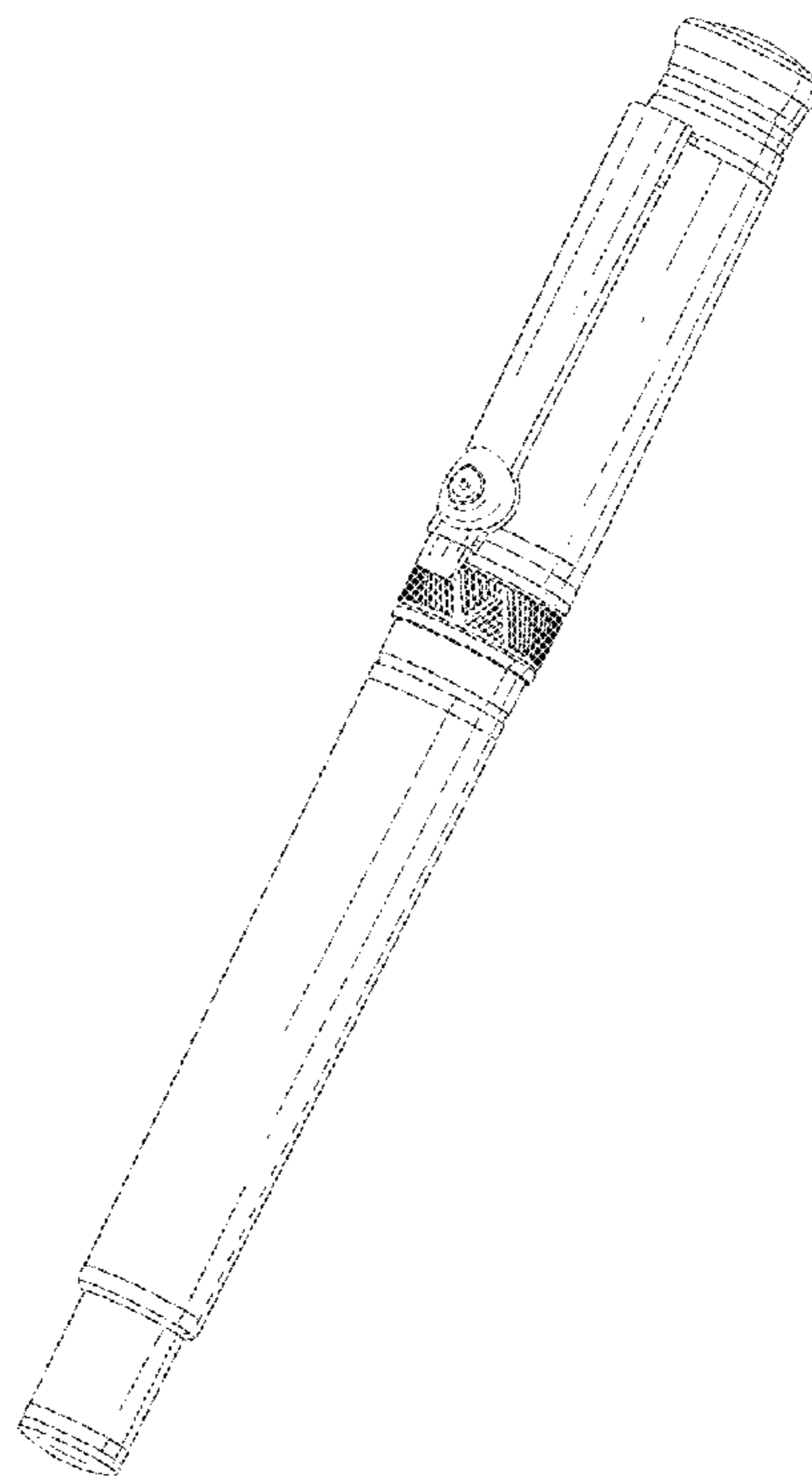
FIG. 5 is a top plan view thereof.

FIG. 6 is a bottom plan view thereof.

FIG. 7 is an enlarged top plan view thereof; and,

FIG. 8 is an enlarged bottom plan view thereof.

1 Claim, 3 Drawing Sheets



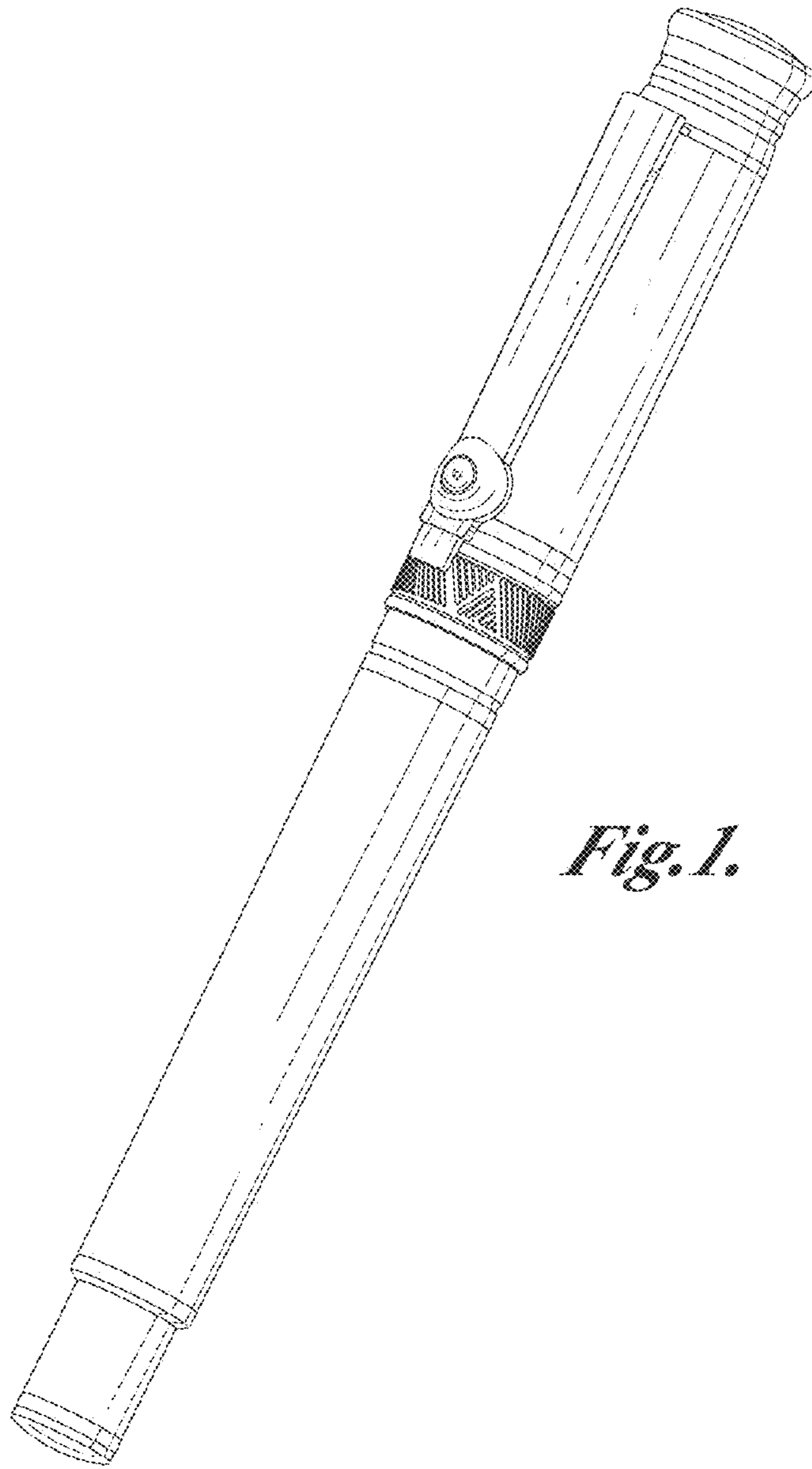


Fig. 1.

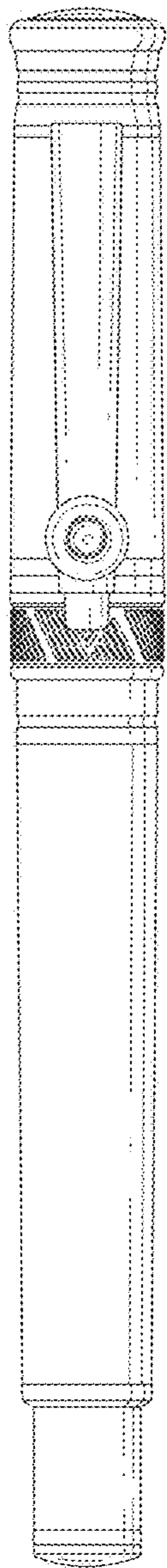


Fig. 2.

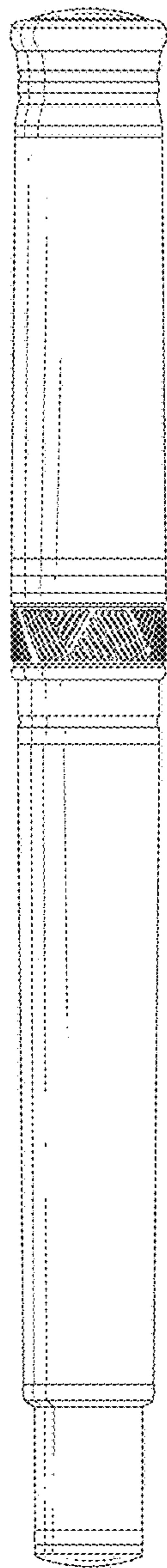


Fig. 3.

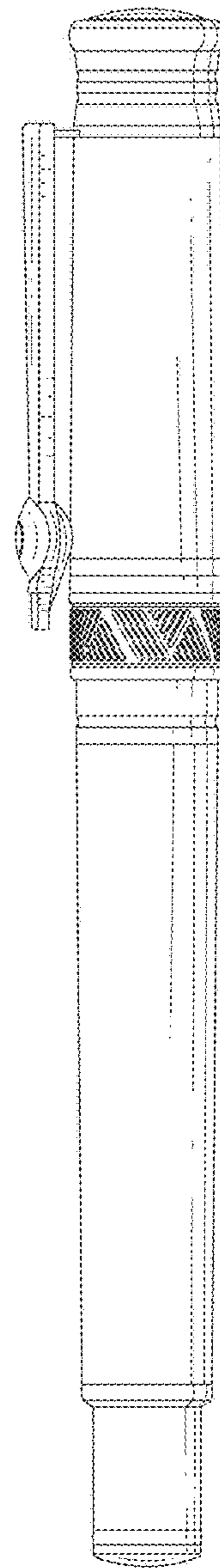


Fig. 4.

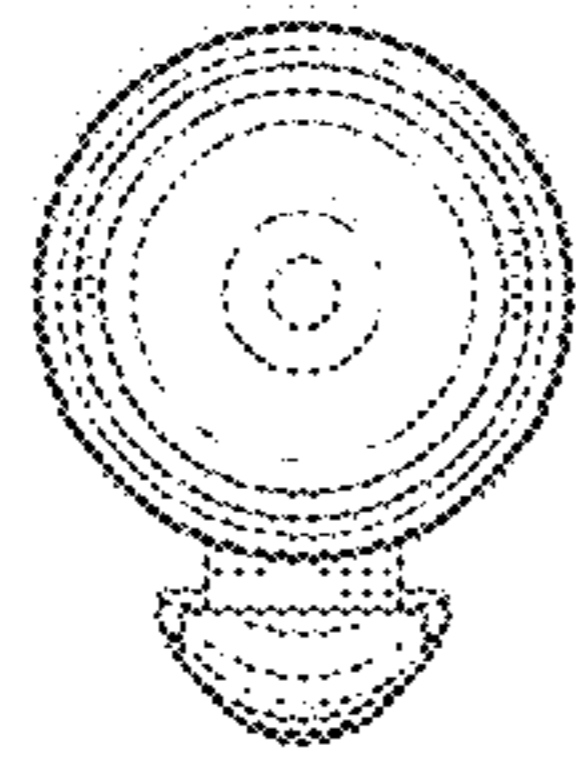


Fig. 5.

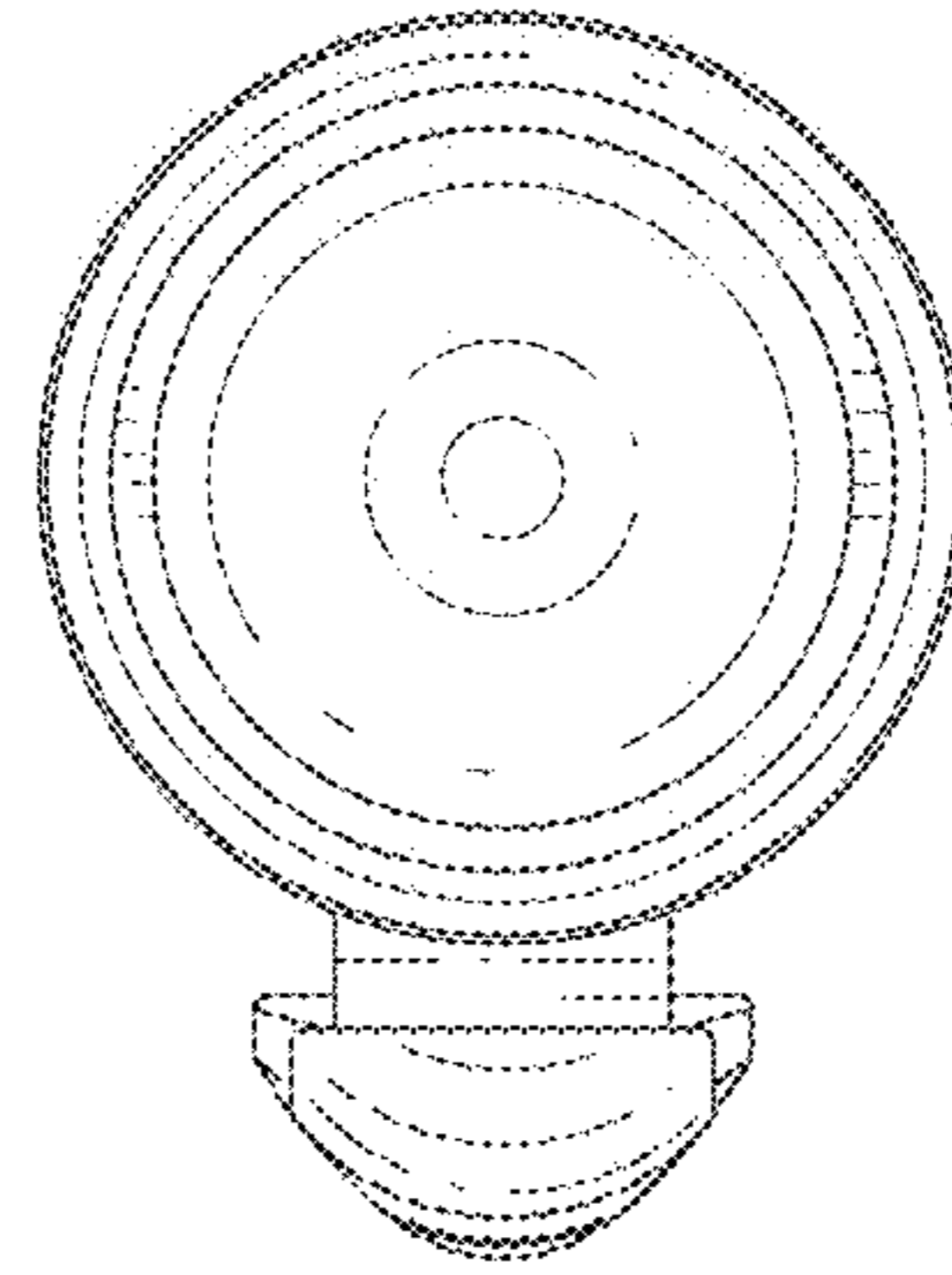


Fig. 7.

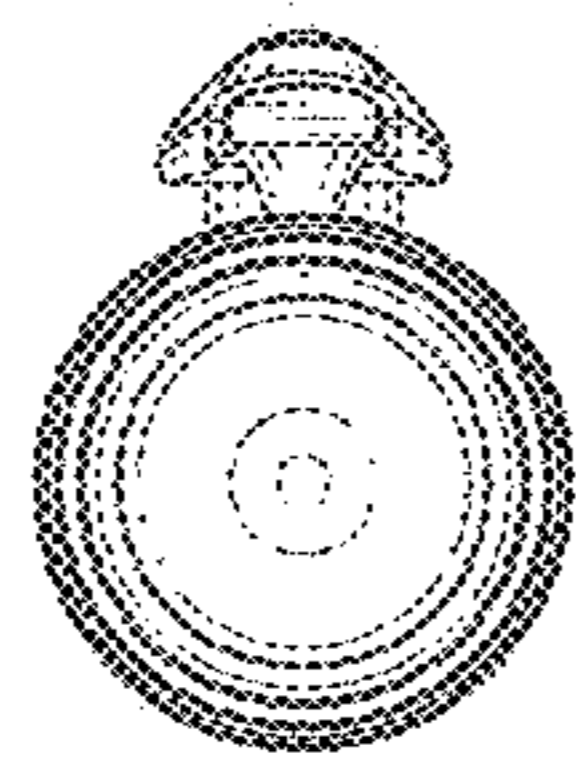


Fig. 6.

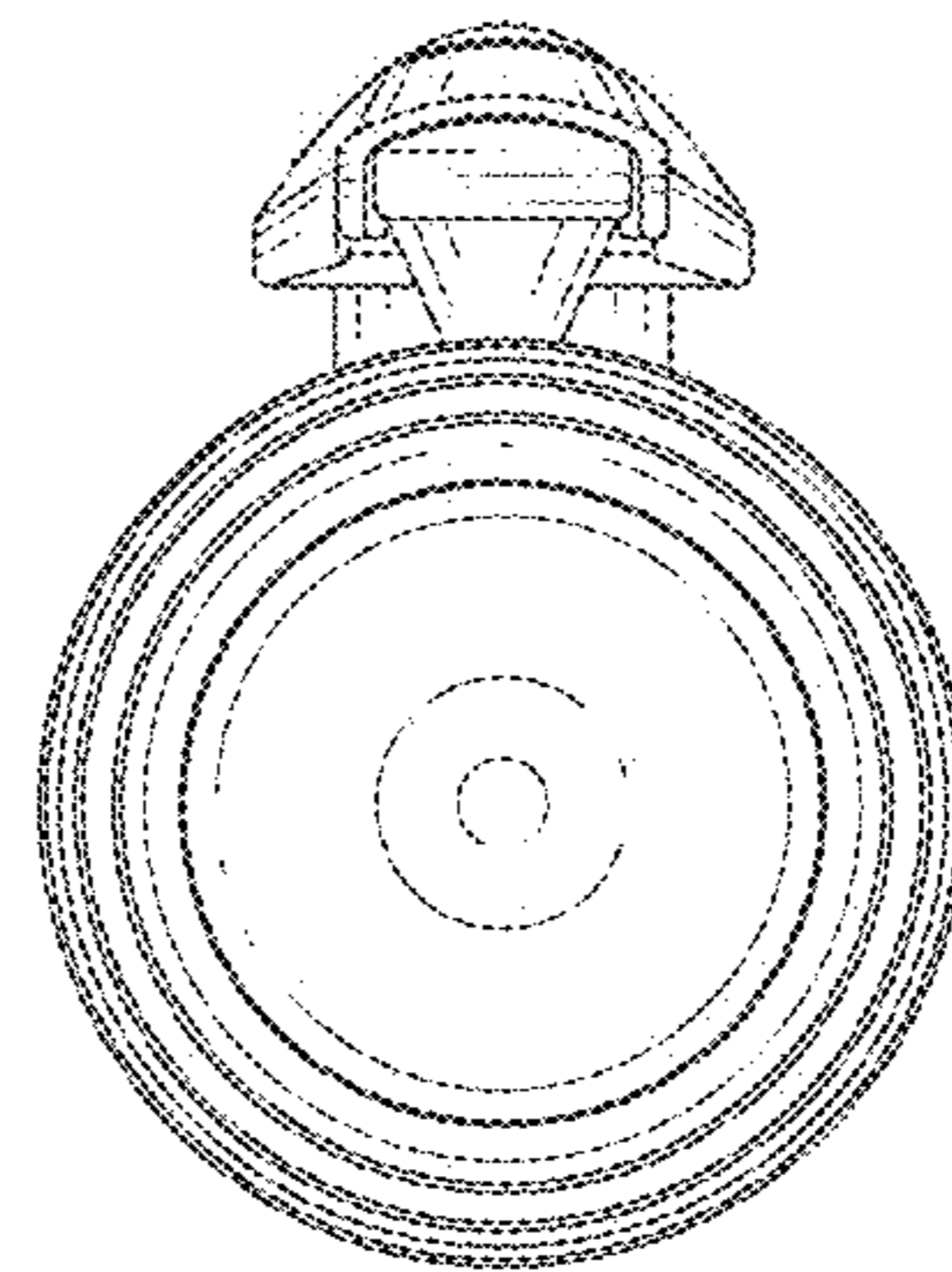


Fig. 8.