



US00D835189S

(12) **United States Design Patent**  
**Galien**

(10) **Patent No.:** **US D835,189 S**

(45) **Date of Patent:** **\*\* Dec. 4, 2018**

(54) **SPECIALIZED RECEPTACLE**

(71) Applicant: **Jay T. Galien**, Manitowoc, WI (US)

(72) Inventor: **Jay T. Galien**, Manitowoc, WI (US)

(73) Assignee: **The United States of America, as represented by the Secretary of Homeland Security**, Washington, DC (US)

(\*\*) Term: **15 Years**

(21) Appl. No.: **29/580,808**

(22) Filed: **Oct. 13, 2016**

(51) **LOC (11) Cl.** ..... **19-99**

(52) **U.S. Cl.**  
USPC ..... **D19/75**

(58) **Field of Classification Search**  
USPC ..... D19/75; D32/54; D3/315, 308, 311;  
D11/148  
CPC ..... B65G 17/20  
See application file for complete search history.

(56) **References Cited**

**U.S. PATENT DOCUMENTS**

D312,662 S *	12/1990	Ancona	.....	D19/75
D323,533 S *	1/1992	Williams	.....	D19/75
D364,039 S *	11/1995	Kruger	.....	D3/315
D381,686 S *	7/1997	Chiu	.....	D19/69
D414,208 S *	9/1999	Eddy	.....	D19/75
D459,758 S *	7/2002	Foster	.....	D19/75
D489,412 S *	5/2004	Hsu	.....	D19/75
D671,704 S *	11/2012	Cooper	.....	B62B 1/202 D34/27
D674,191 S *	1/2013	Sakaguchi	.....	D3/315

\* cited by examiner

*Primary Examiner* — Cynthia Ramirez

*Assistant Examiner* — Laura H Yu

(74) *Attorney, Agent, or Firm* — Lavanya Ratnam;  
William Washington; Trenton Roche

(57) **CLAIM**

The ornamental design for a specialized receptacle, as shown and described.

**DESCRIPTION**

FIG. 1 is a front elevational view of a specialized receptacle according to a first embodiment of my design. The rear elevational view is a mirror image of the front elevational view.

FIG. 2 is a right side elevational view thereof. The left side elevational view is a mirror image of the right side elevational view.

FIG. 3 is a top elevational view thereof.

FIG. 4 is a bottom elevational view thereof.

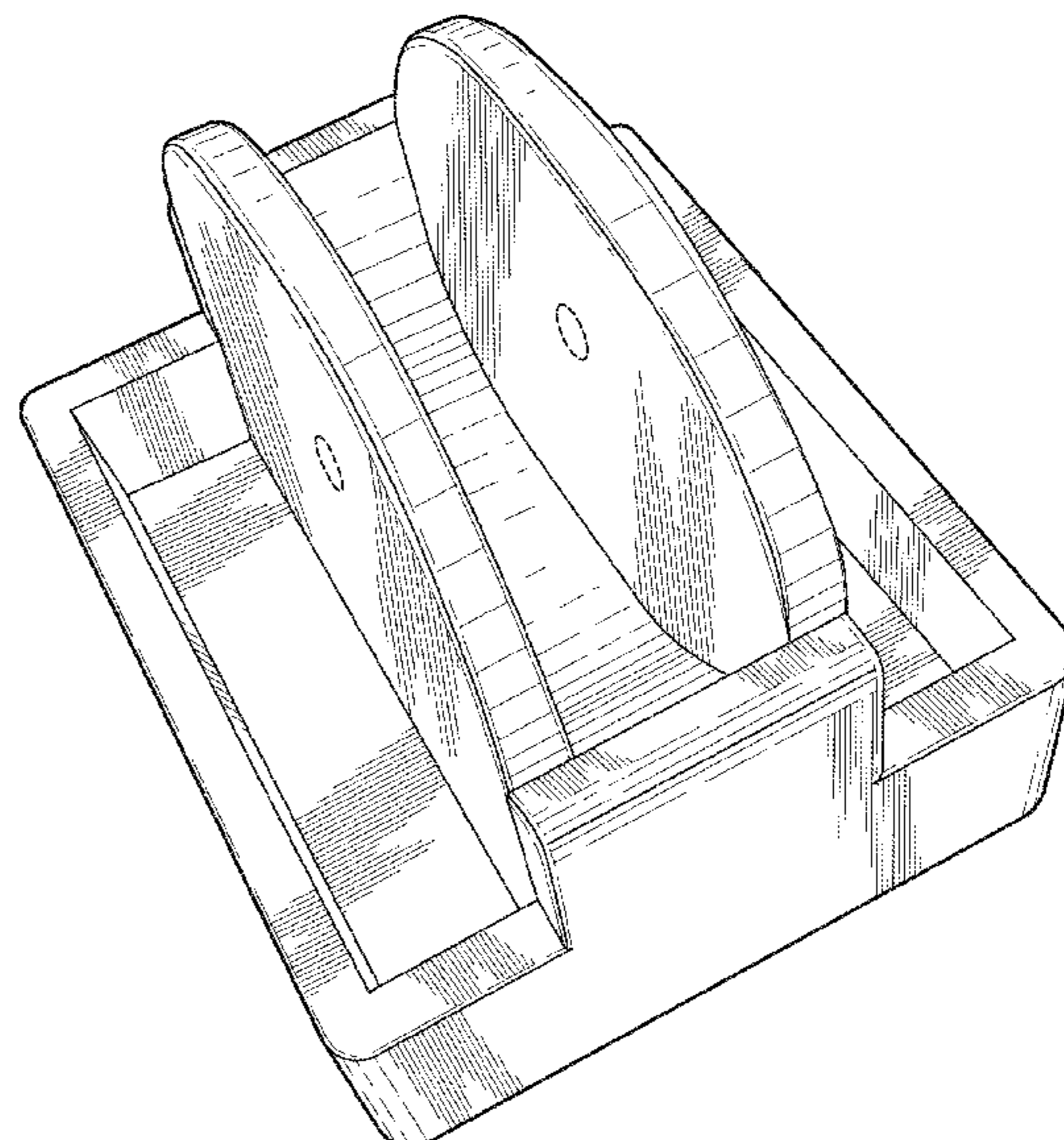
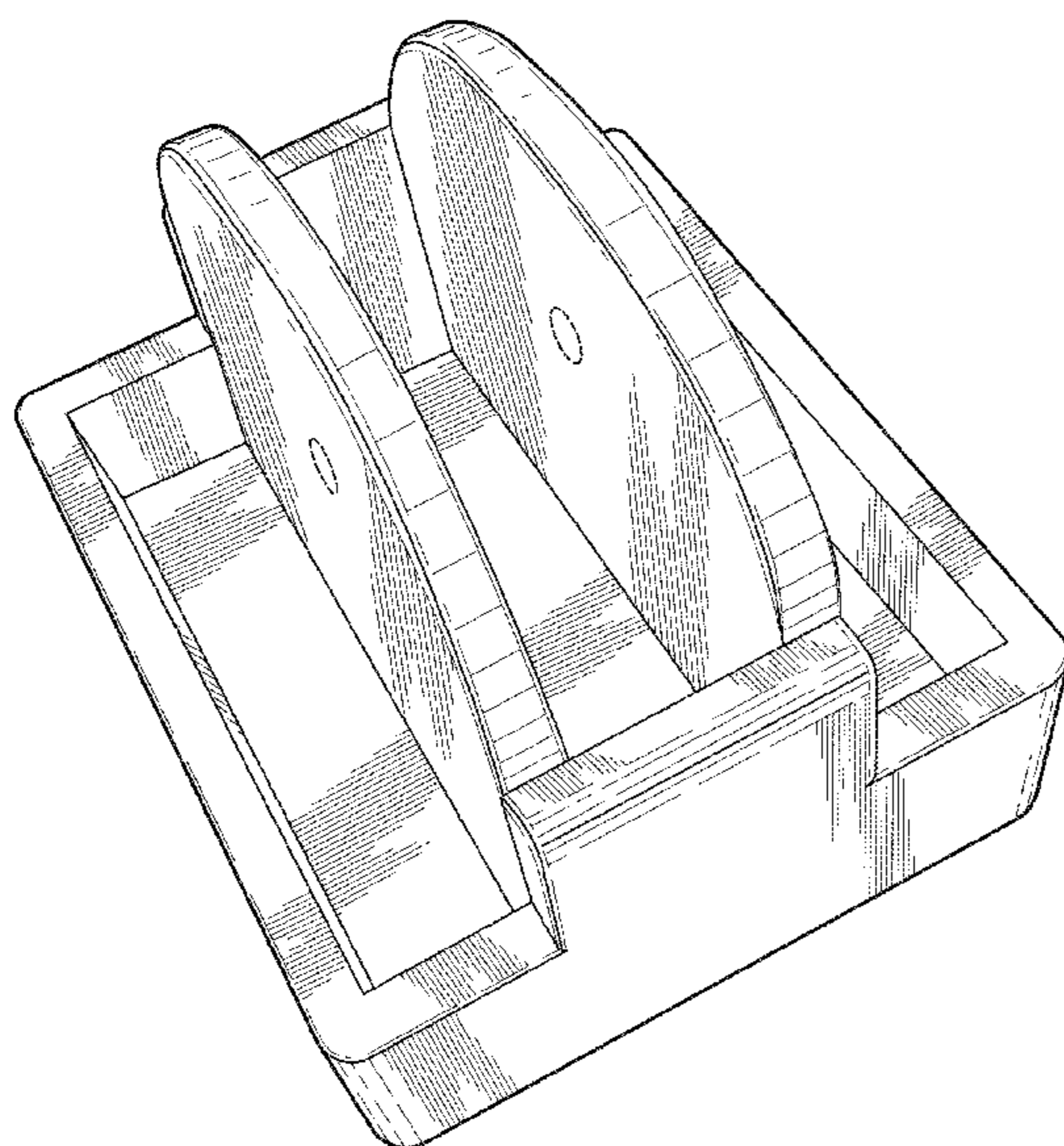
FIG. 5 is a front, top, right side perspective view thereof.

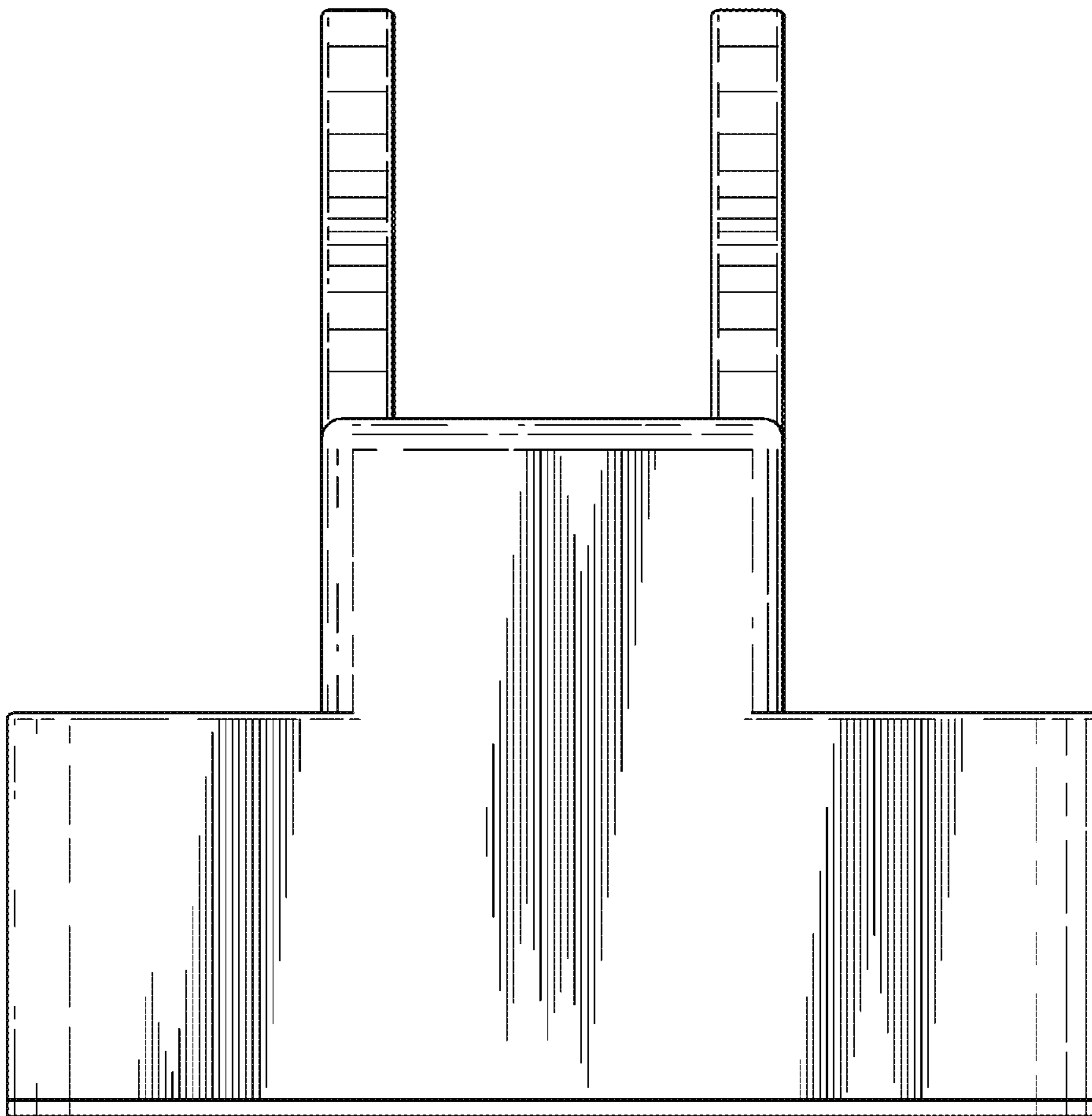
FIG. 6 is a front, top, right side perspective view of my design according to a second embodiment, whereby a central, length-running portion thereof is curved from the front and back toward the middle, and whereby the front, rear, left side and right side elevational views are the same as in the first embodiment; and,

FIG. 7 is a top elevational view thereof.

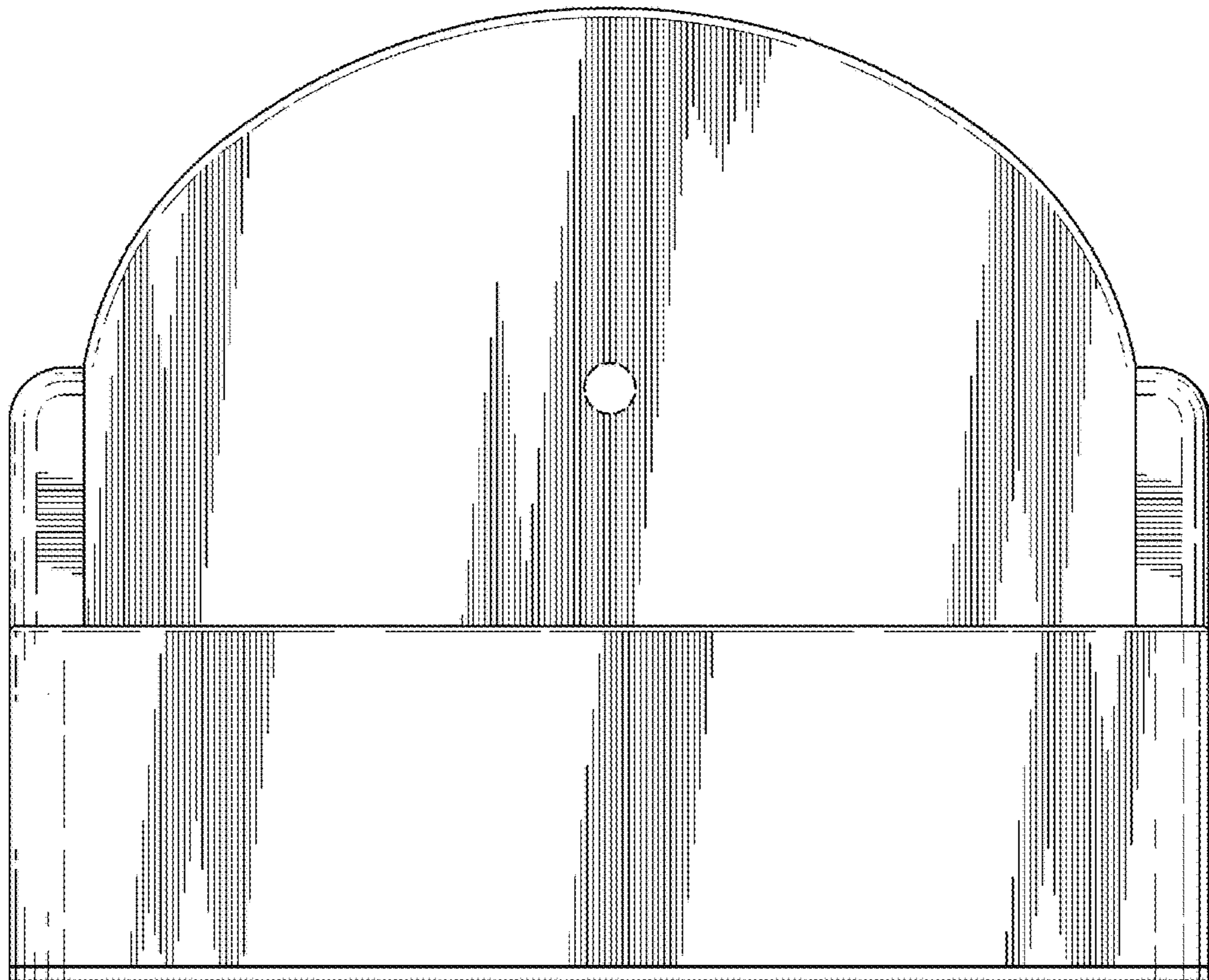
The broken lines in the drawings depict portions of the specialized receptacle that form no part of the claimed design.

**1 Claim, 7 Drawing Sheets**

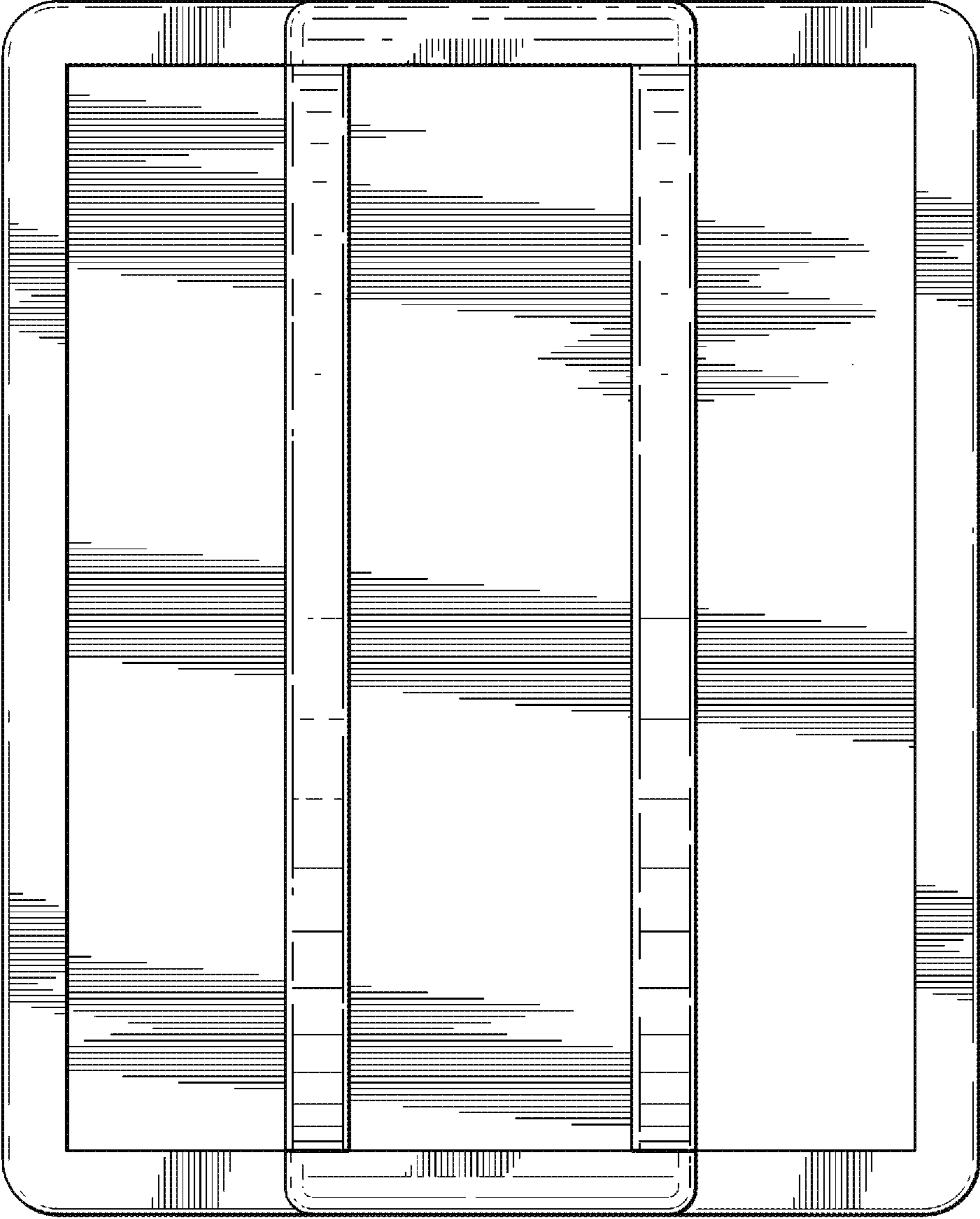




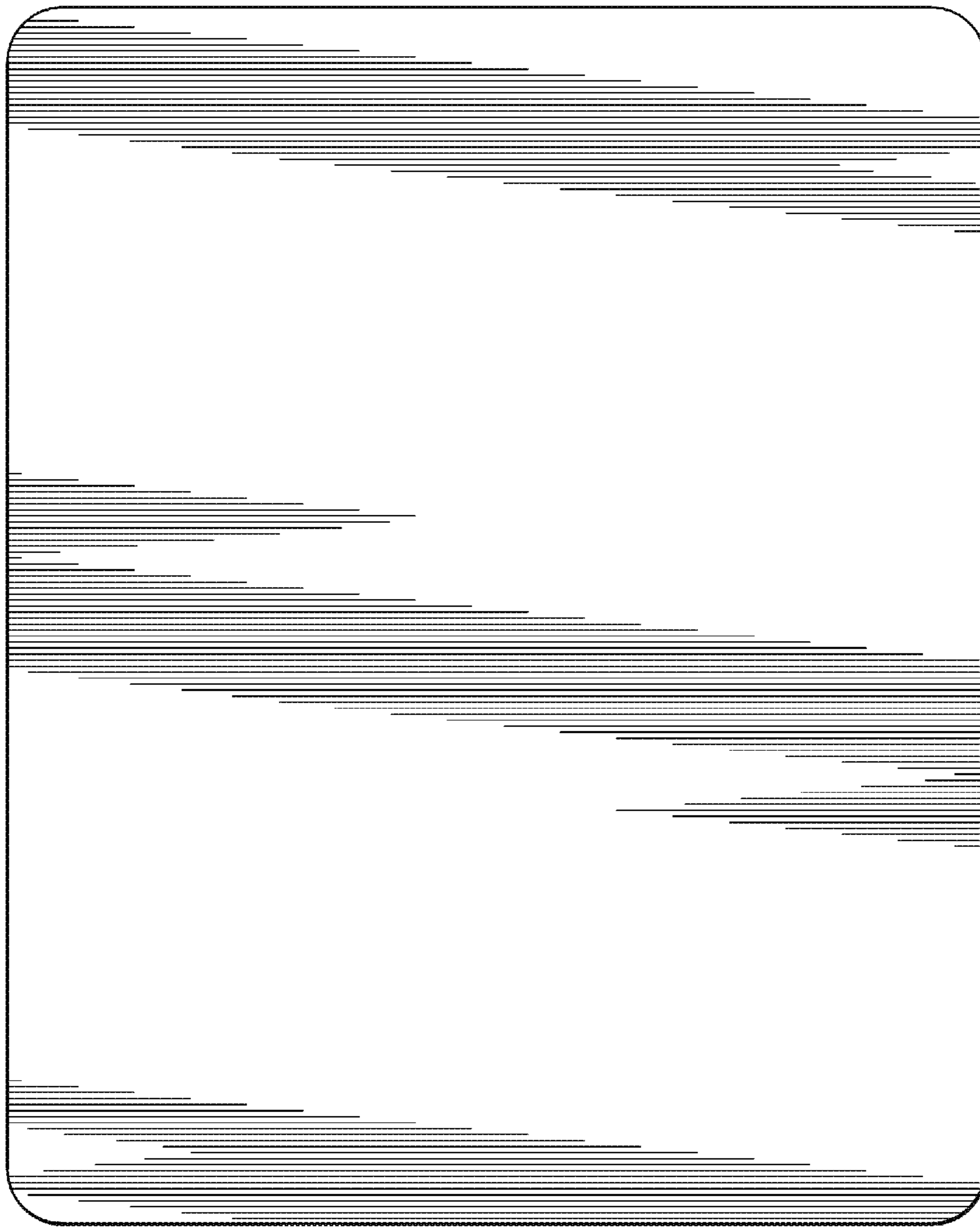
*Fig. 1*



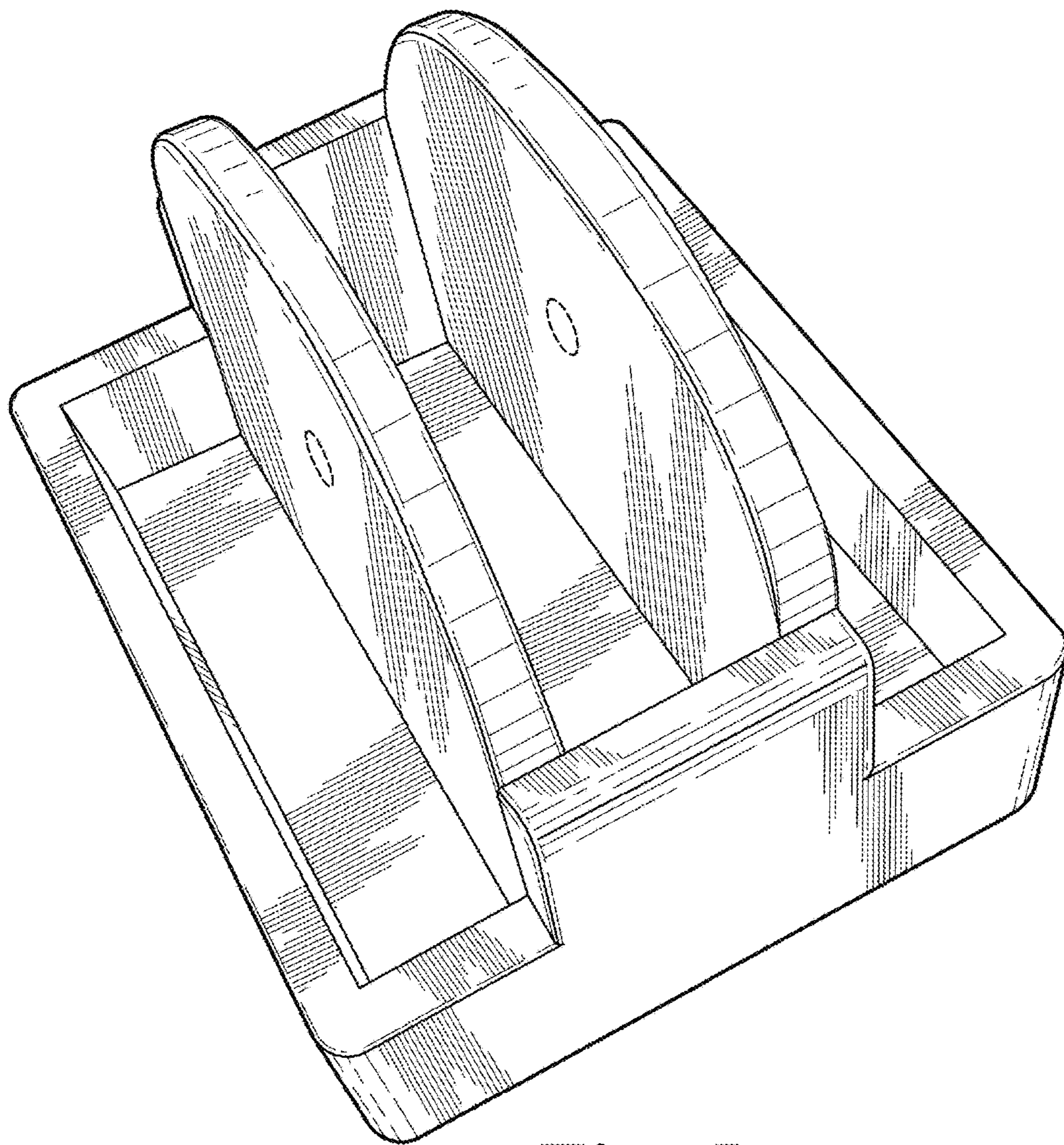
*Fig. 2*



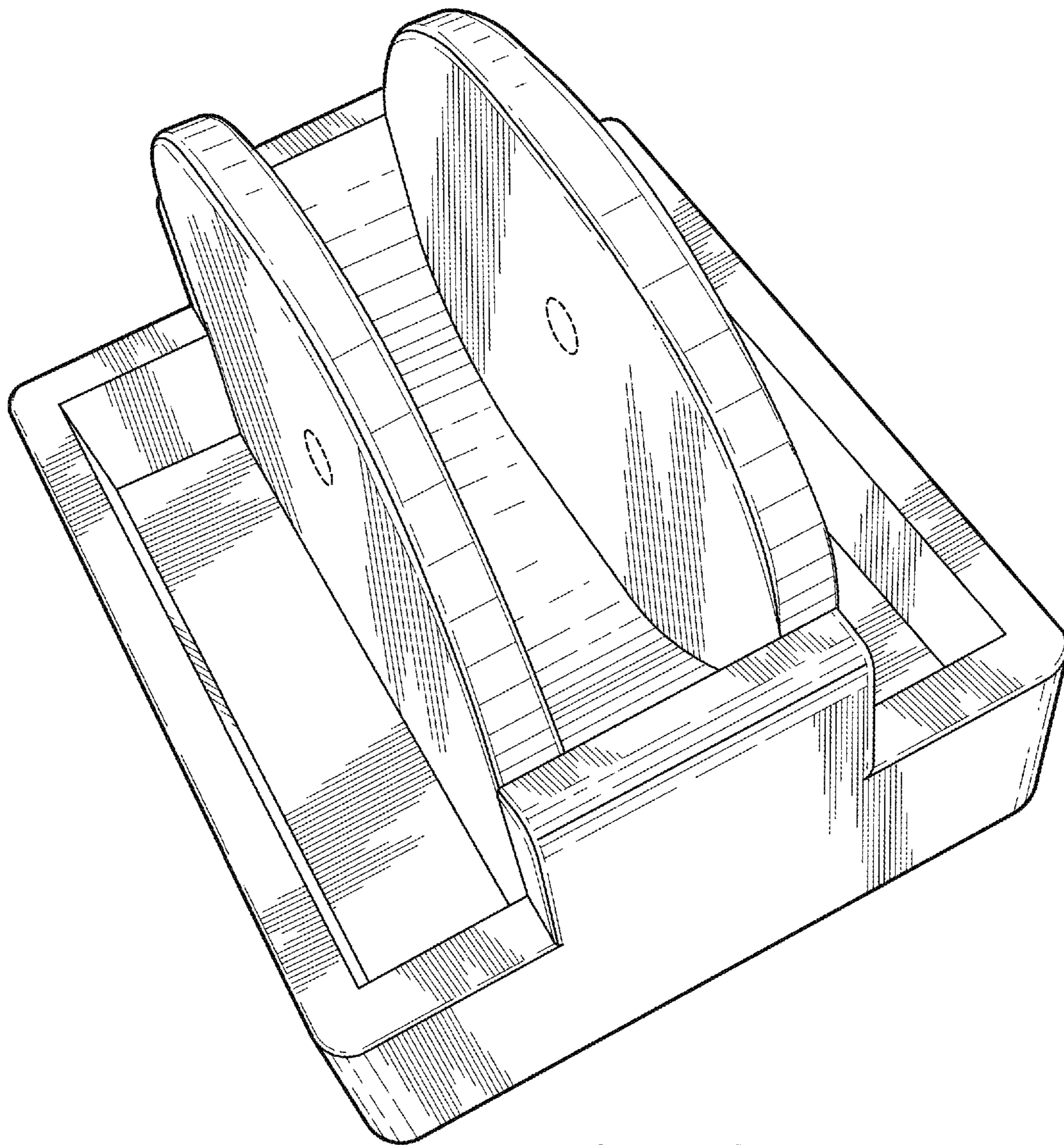
*Fig. 3*



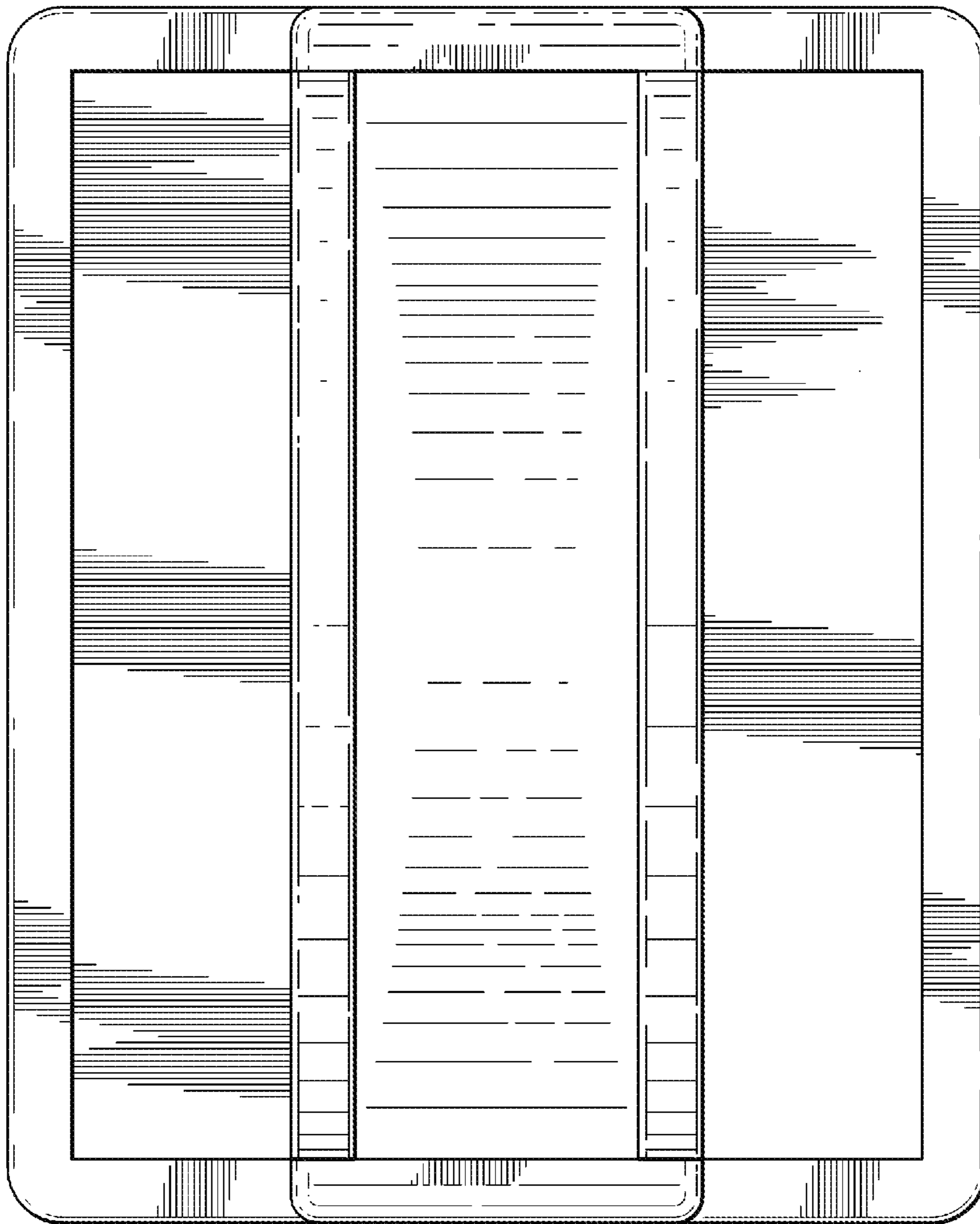
*Fig. 4*



*Fig. 5*



*Fig. 6*



*Fig. 7*