



US00D835186S

(12) **United States Design Patent** (10) **Patent No.:** **US D835,186 S**
Mueller et al. (45) **Date of Patent:** **** Dec. 4, 2018**

(54) **PRINTER**

(71) Applicant: **Phoenix Contact GmbH & Co. KG**,
Blomberg (DE)
(72) Inventors: **Rainer Mueller**, Munich (DE); **Dirk**
Juergens, Munich (DE)
(73) Assignee: **PHOENIX CONTACT GMBH & CO.**
KG, Blomberg (DE)
(**) Term: **15 Years**
(21) Appl. No.: **29/555,033**

(22) Filed: **Feb. 18, 2016**

(30) **Foreign Application Priority Data**

Aug. 21, 2015 (EM) 002758979

(51) **LOC (11) Cl.** **18-02**

(52) **U.S. Cl.**
USPC **D18/50**

(58) **Field of Classification Search**

USPC D18/12, 14, 18, 19, 36, 37, 38, 39, 43,
D18/50, 54, 54.1, 55, 56, 99; D14/420,
D14/421, 422, 423, 424, 425, 462, 463,
D14/464, 465, 466, 467, 668, 469, 470,
D14/480.5, 483, 484, 341, 356, 357, 358,
D14/359, 360, 361
CPC . B41J 31/16; B41J 32/02; B41J 19/202; B41J
29/377; B41J 3/4075; B41J 11/58; B41J
15/12; B41J 15/042; B41J 17/00; B41J
29/02; B41J 29/08; B41J 17/32; B41J
11/007; B41J 2/0057; B41J 2/17513;
B41J 2/16508; B41J 2/17566; B41J
2/175; B41J 2/0458; C09D 11/40
See application file for complete search history.

(56) **References Cited**

U.S. PATENT DOCUMENTS

D447,766 S * 9/2001 Obara D18/14
D619,647 S * 7/2010 Horito 14/425
(Continued)

OTHER PUBLICATIONS

Mobile printing and marking systems, [online], [site visited Aug. 15, 2017]. Available from Internet, URL:https://www.phoenixcontact.com/online/portal/us?1dmy&urile=wcm%3apath%3a/usen/web/main/products/subcategory_pages/Mobile_printing_and_labeling_systems_P-12-09/ce125b39-a8bd-438c-8b00-201bd8fd8361.*

Primary Examiner — Caron D Veynar
Assistant Examiner — Katrina N Gonzalez
(74) *Attorney, Agent, or Firm* — Leydig, Voit & Mayer, Ltd.

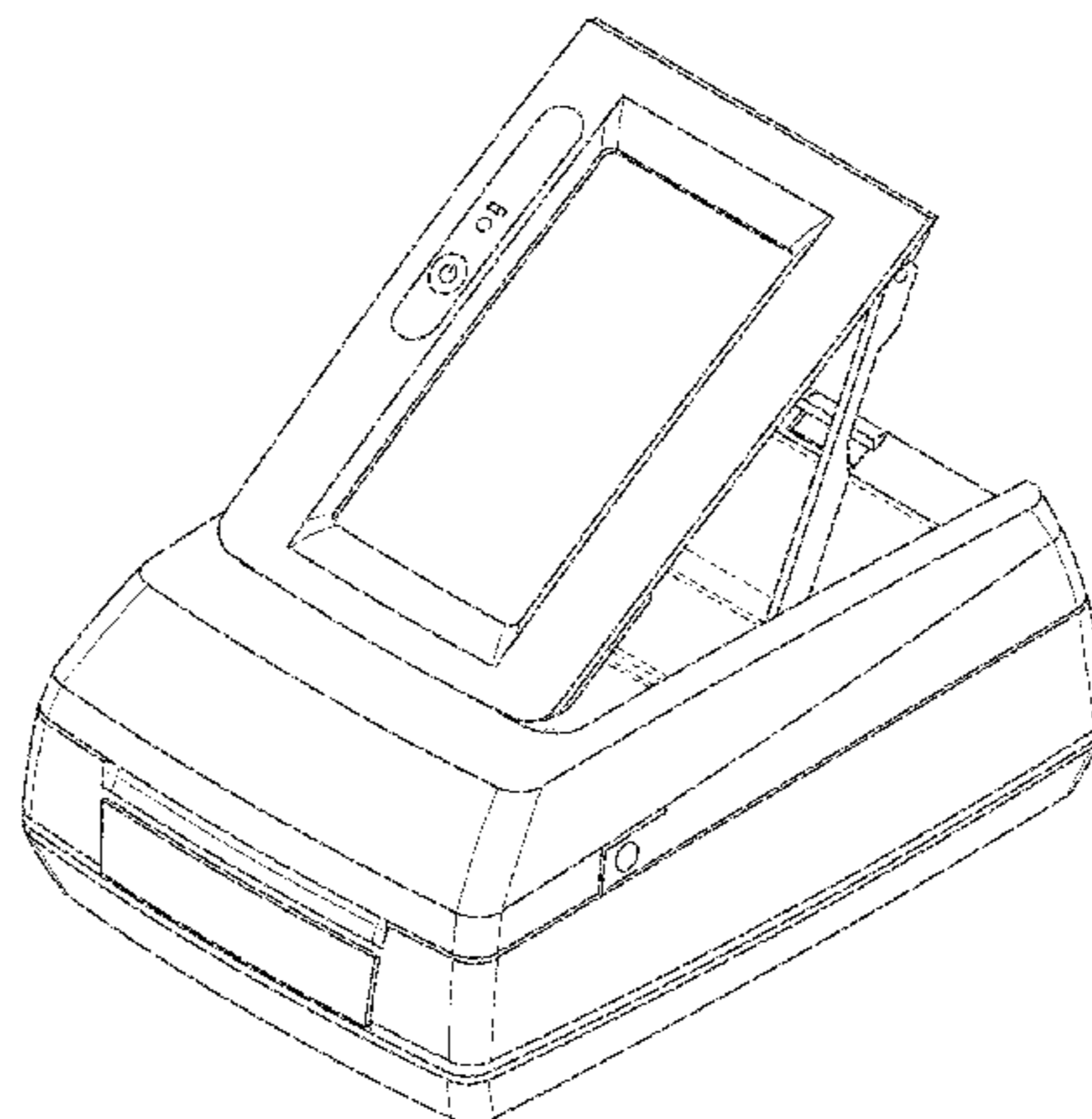
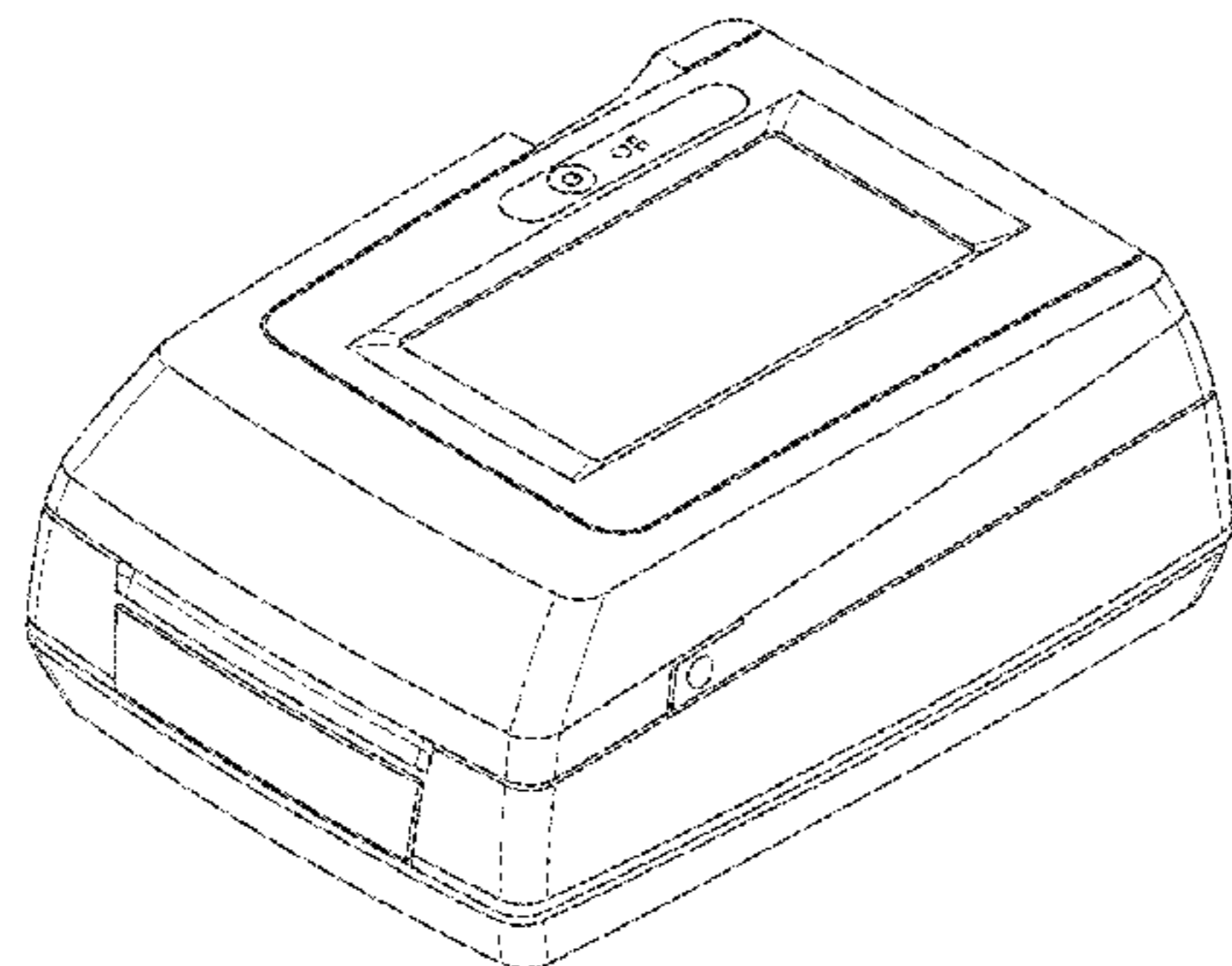
(57) **CLAIM**

The ornamental design for a printer, as shown and described.

DESCRIPTION

FIG. 1 is a top right front perspective view of the printer showing our new design, with closed lid;
FIG. 2 is a bottom plan view thereof;
FIG. 3 is a rear elevational view thereof, with closed lid;
FIG. 4 is the rear elevational view thereof, with open lid;
FIG. 5 is a right side elevational view thereof, with closed lid;
FIG. 6 is the right side elevational view thereof, with open lid;
FIG. 7 is a front elevational view thereof, with closed lid;
FIG. 8 is the front elevational view thereof, with open lid;
FIG. 9 is a left side elevational view thereof, with closed lid;
FIG. 10 is a left side elevational view thereof, with open lid;
FIG. 11 is a top plan view thereof, with closed lid;
FIG. 12 is a top plan view thereof, with open lid; and,
FIG. 13 is a top right front perspective view thereof, with open lid.
Any broken lines in the drawings indicate unclaimed subject matter and/or environment and form no part of the claimed design.

1 Claim, 13 Drawing Sheets



(56)

References Cited

U.S. PATENT DOCUMENTS

D640,735	S	*	6/2011	Kimura	D18/50
D640,736	S	*	6/2011	Kimura	D18/50
D646,187	S	*	10/2011	Edgar	D10/50
D663,767	S	*	7/2012	Inada	D18/19
D672,387	S	*	12/2012	Kim	D18/50
8,351,822	B2	*	1/2013	Yamada	B41J 29/02 399/125
D685,415	S	*	7/2013	Kinoshita	D18/54
D701,898	S	*	4/2014	Nakata	D18/19
D702,236	S	*	4/2014	Gelinotte	D14/420
D706,341	S	*	6/2014	Kano	D18/14
D716,815	S	*	11/2014	van Hees	D14/420
D717,304	S	*	11/2014	Yturralde	D14/250
D751,056	S	*	3/2016	Huang	D14/242
D751,636	S	*	3/2016	Kinoshita	D18/19
D757,848	S	*	5/2016	Takahashi	D18/50
D758,481	S	*	6/2016	Medugorac	D18/19
D765,773	S	*	9/2016	Ozawa	D18/14
D767,671	S	*	9/2016	Endo	D18/50
D768,768	S	*	10/2016	Takahashi	D18/50
D771,182	S	*	11/2016	Takahashi	D18/50
D775,274	S	*	12/2016	Harden	D18/19
D775,275	S	*	12/2016	Takahashi	D18/50
D777,249	S	*	1/2017	Tanaka	D18/19
D788,776	S	*	6/2017	Marzette, Jr.	D14/358

* cited by examiner

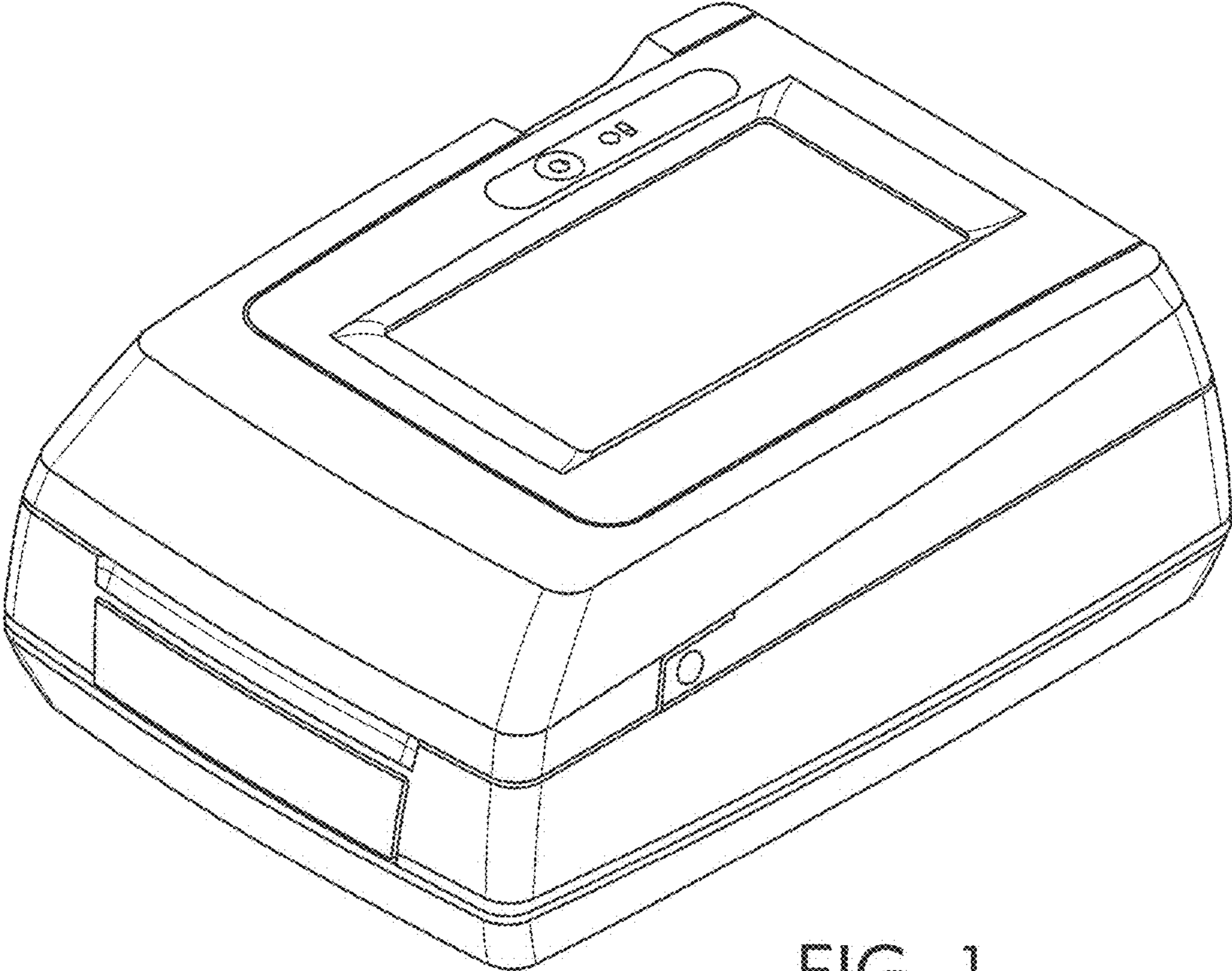


FIG. 1

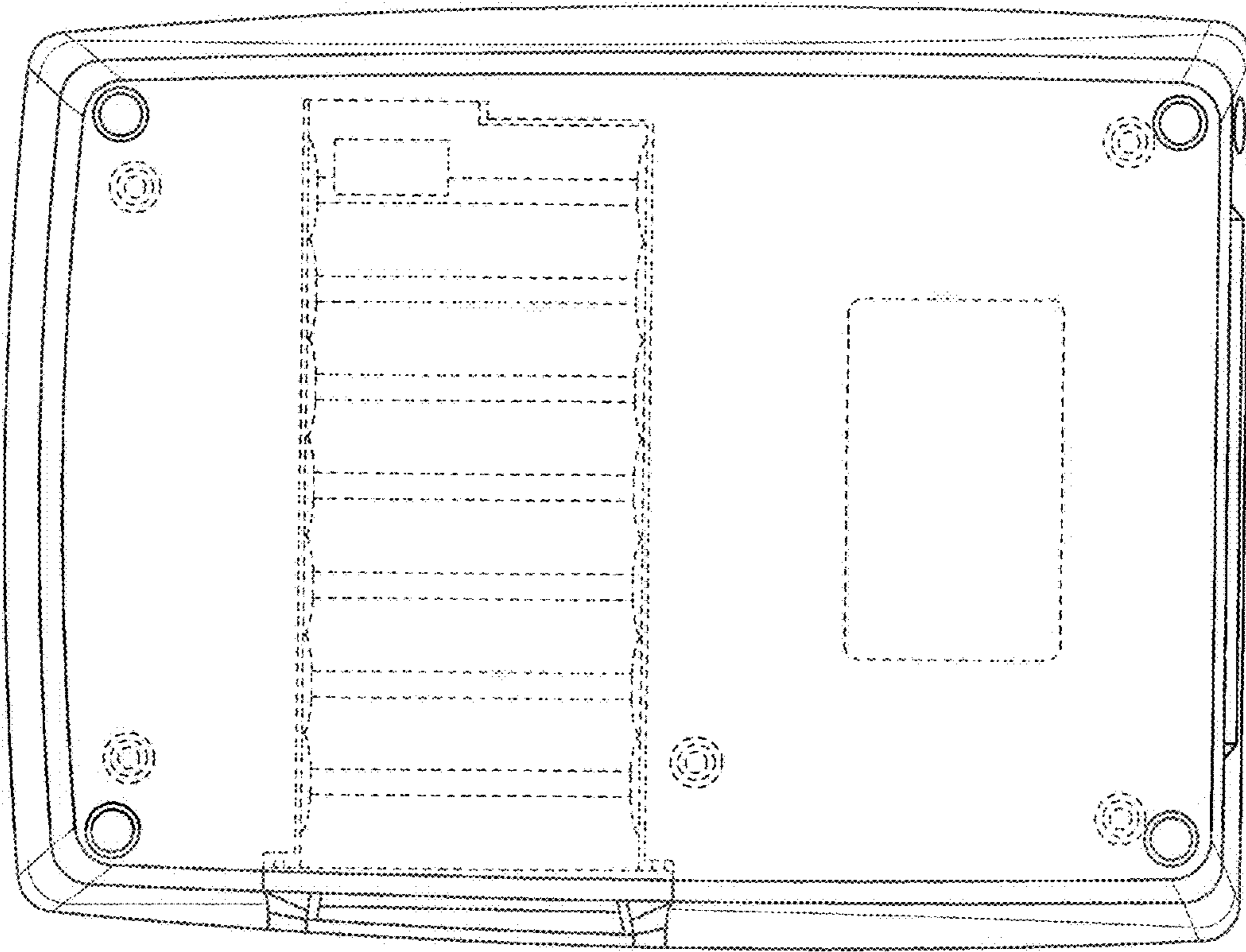


FIG. 2

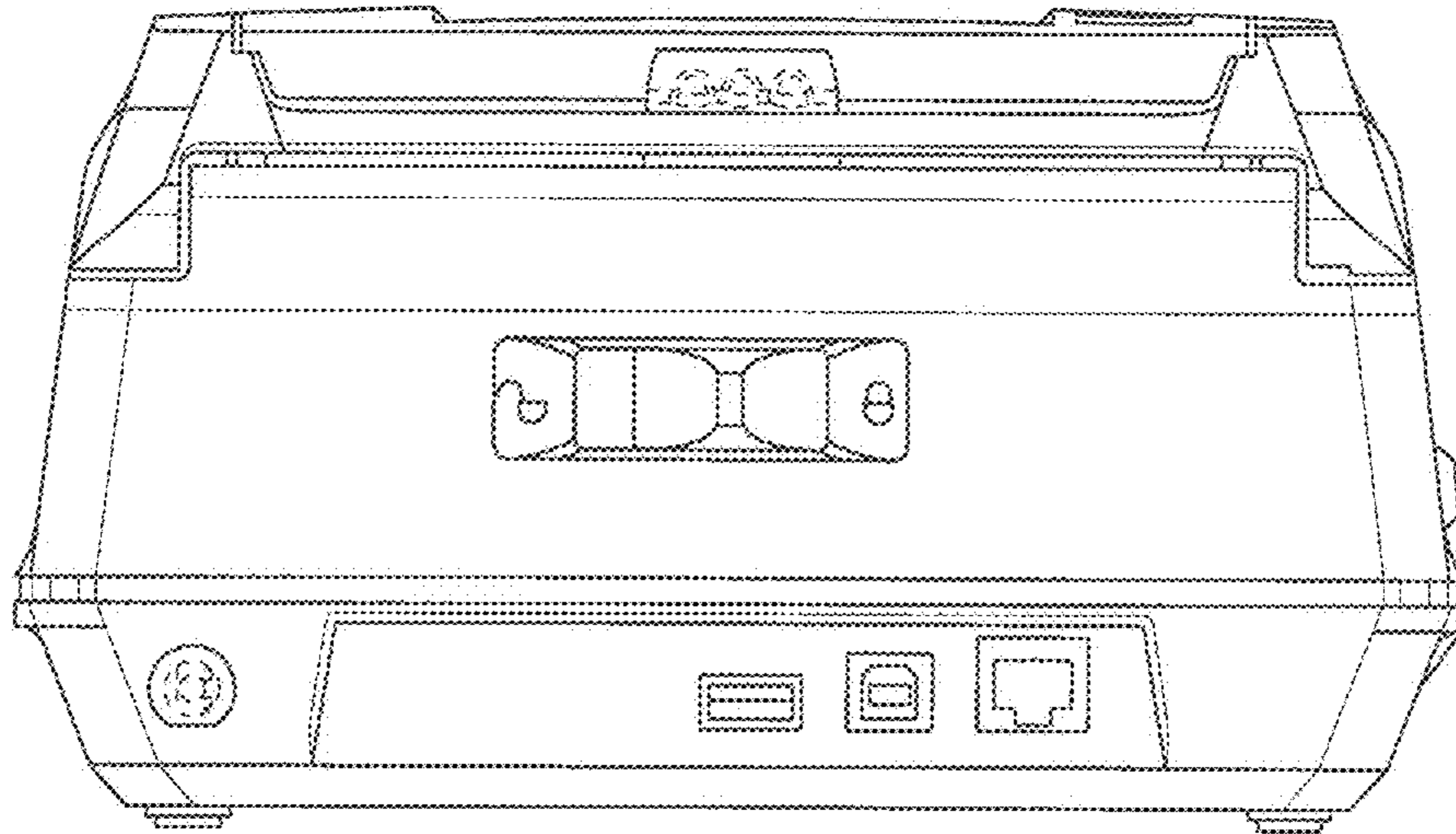


FIG. 3

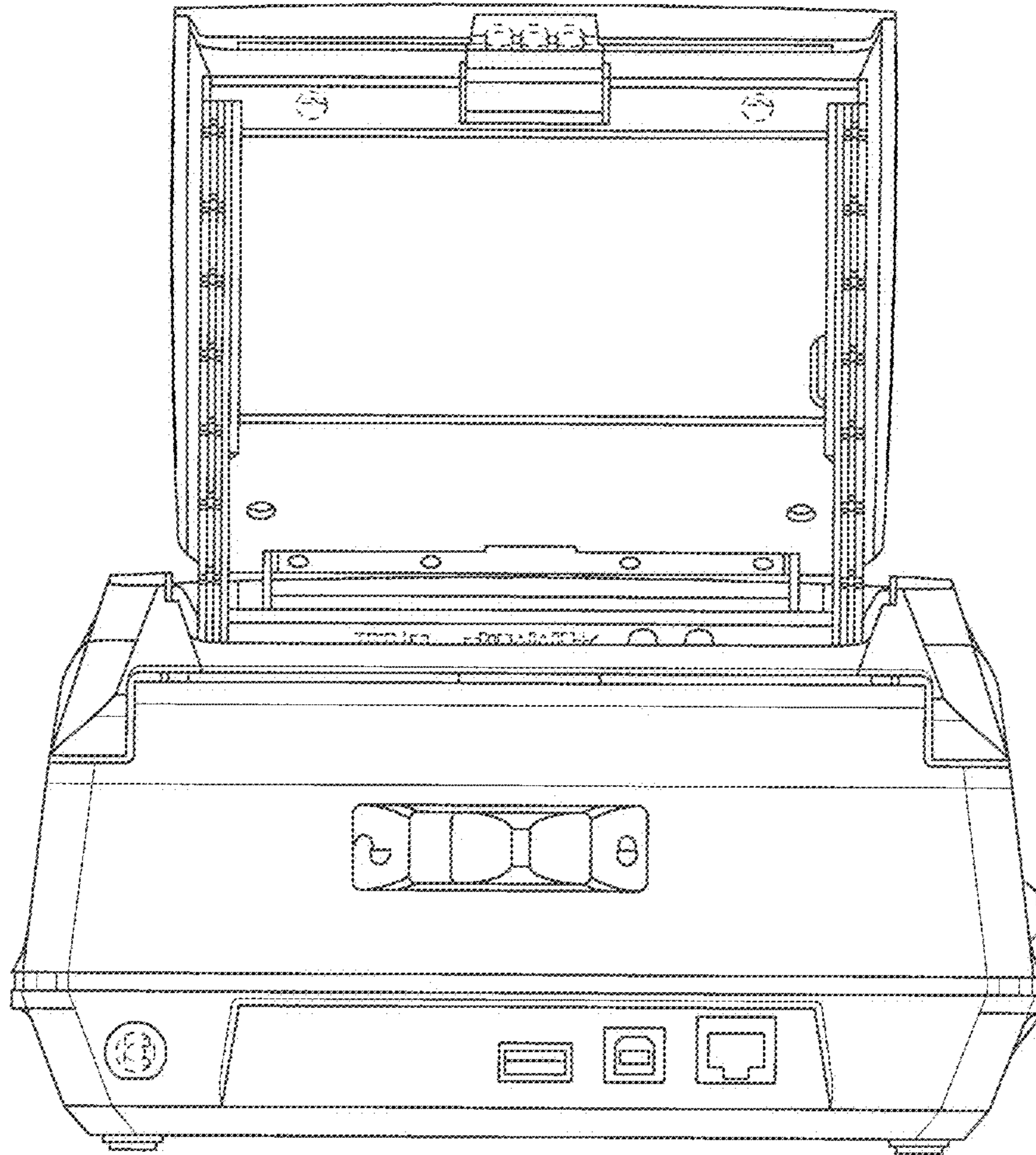


FIG. 4

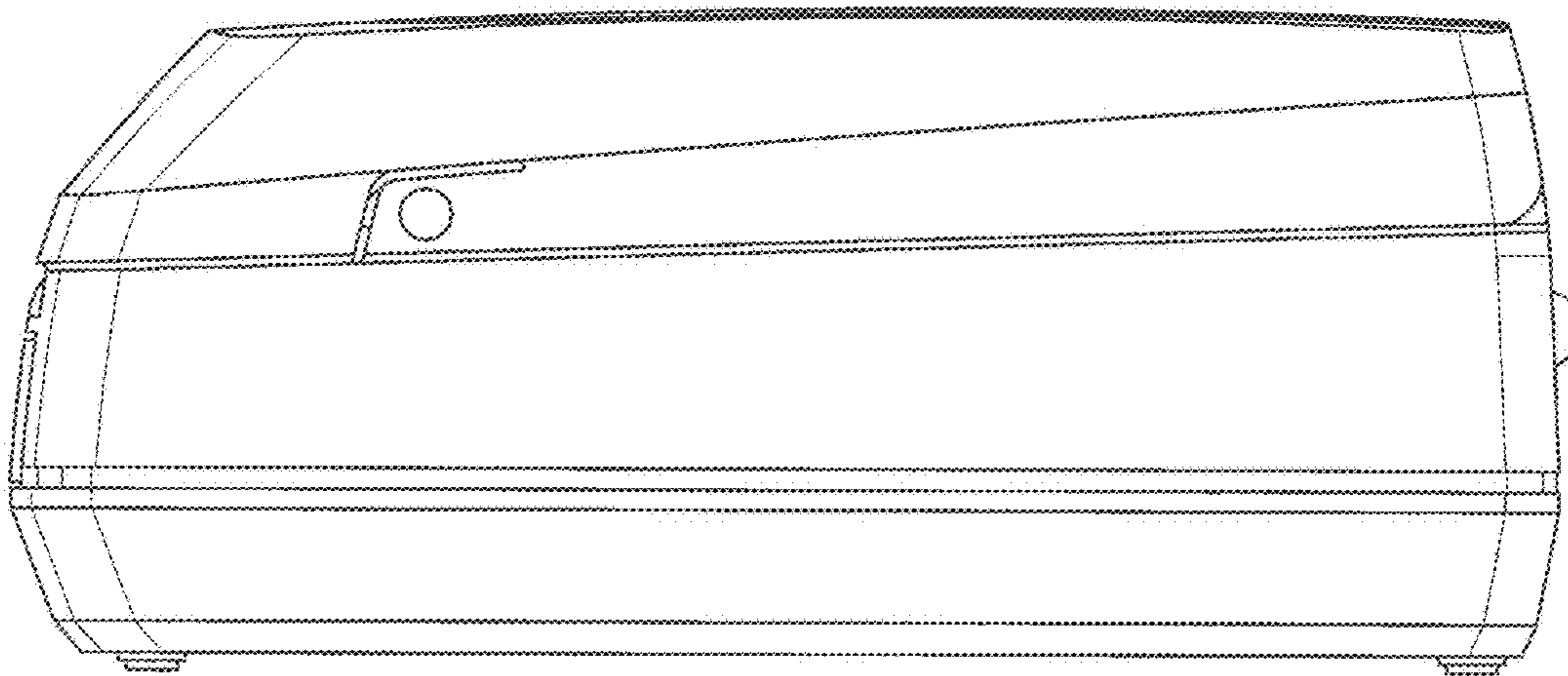


FIG. 5

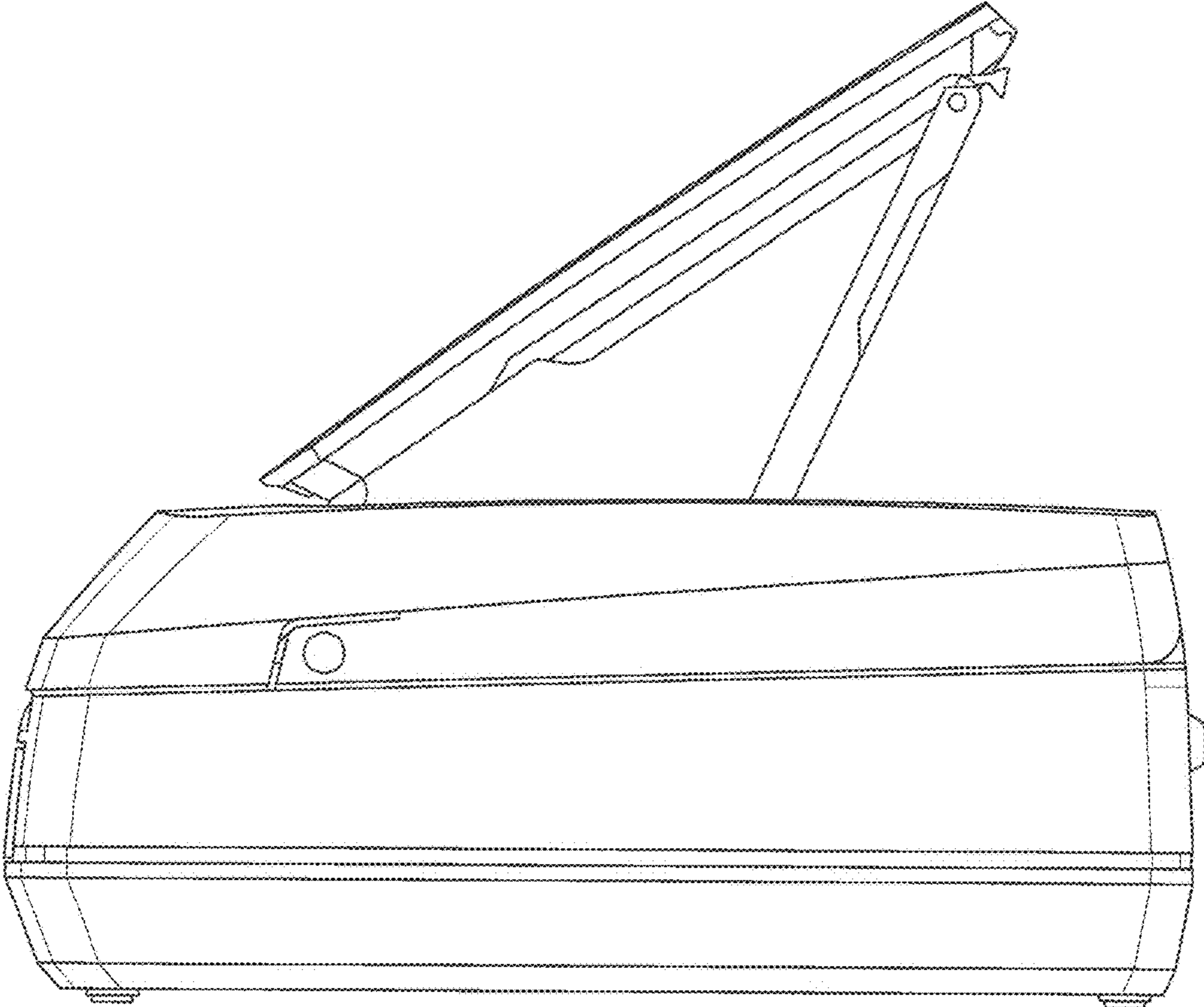


FIG. 6

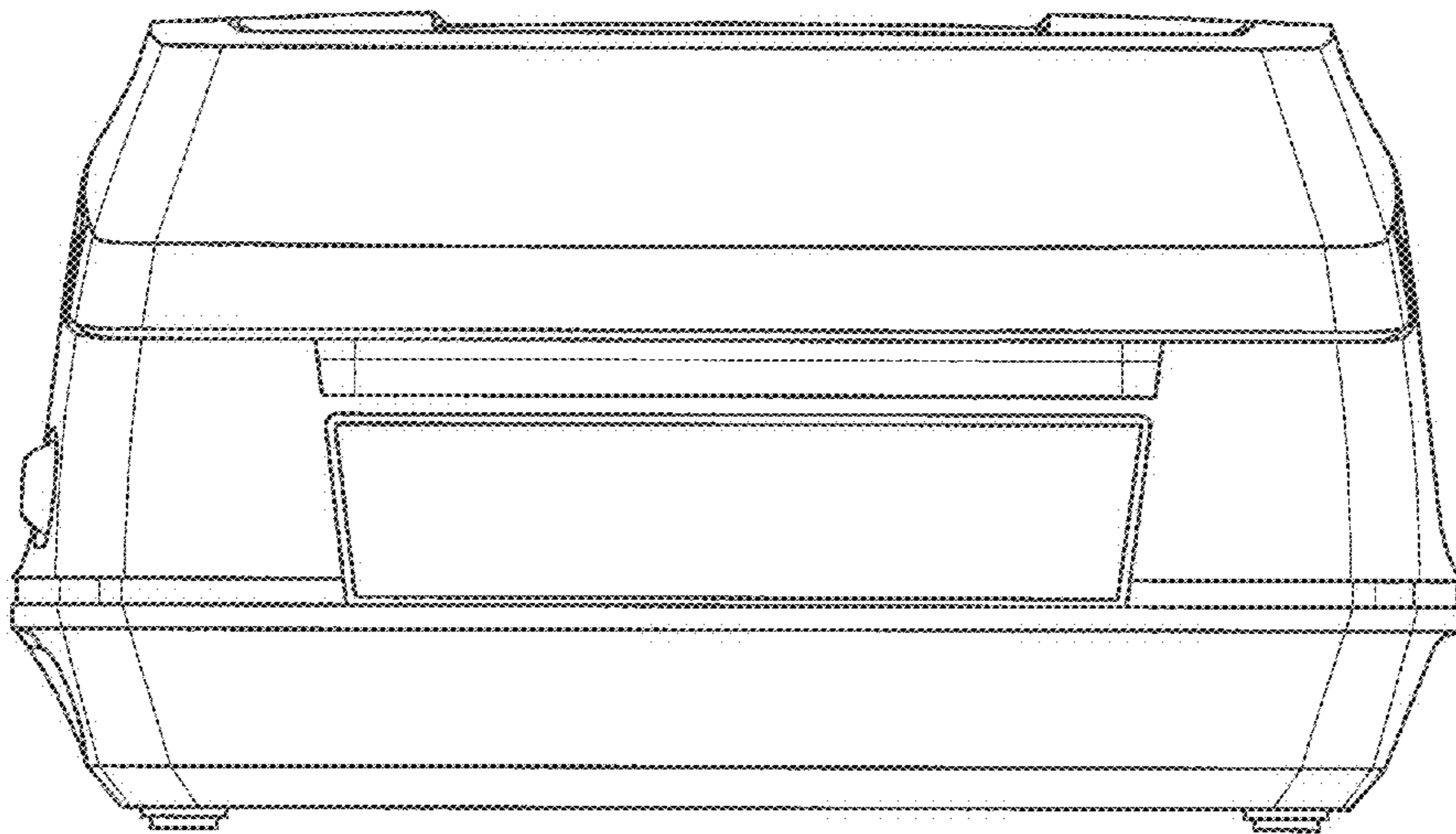


FIG. 7

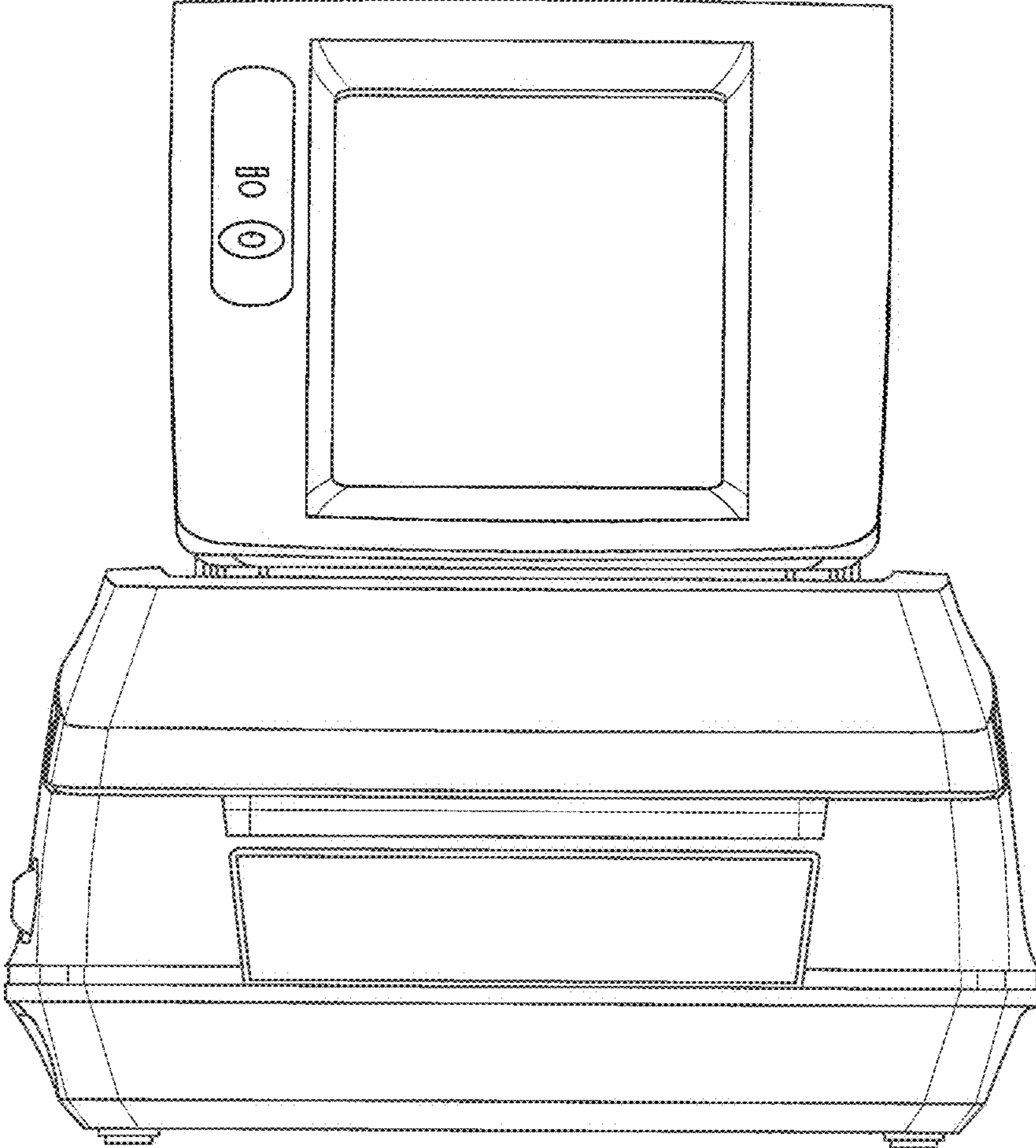


FIG. 8

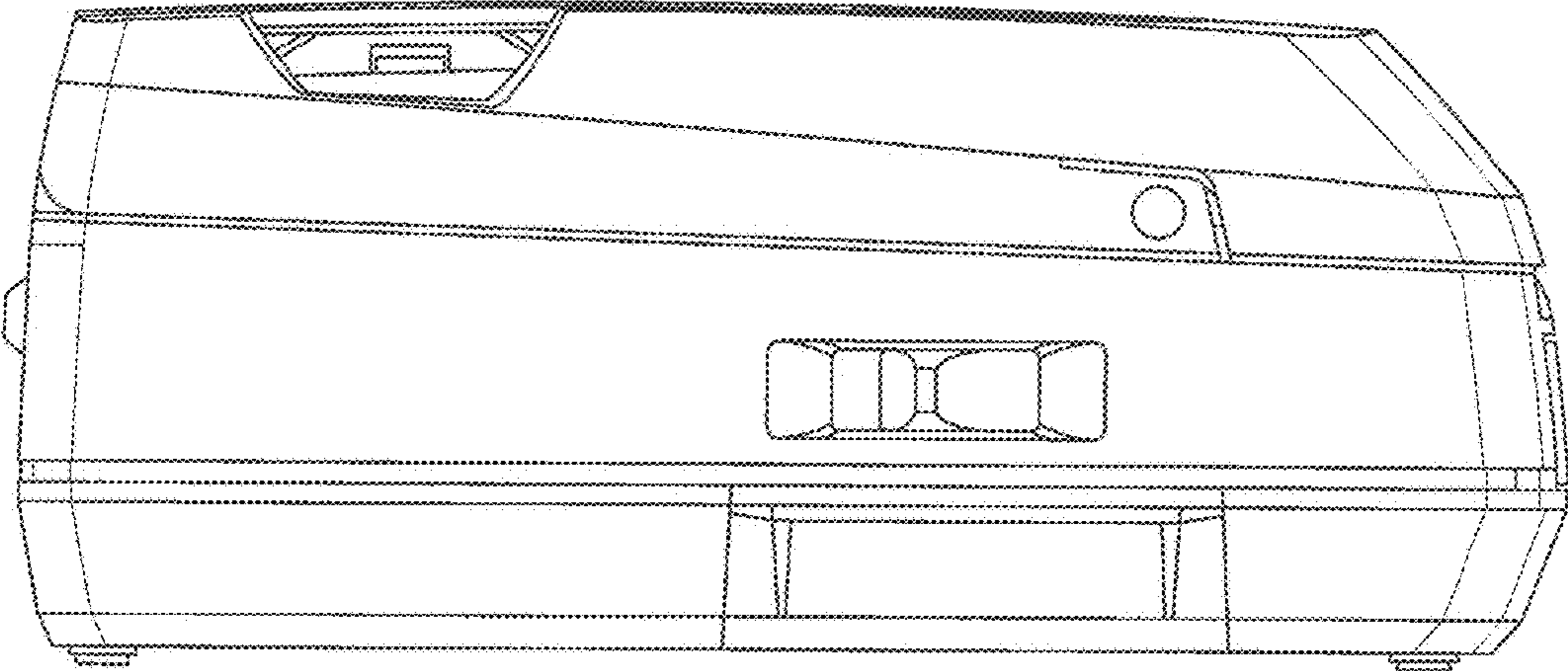


FIG. 9

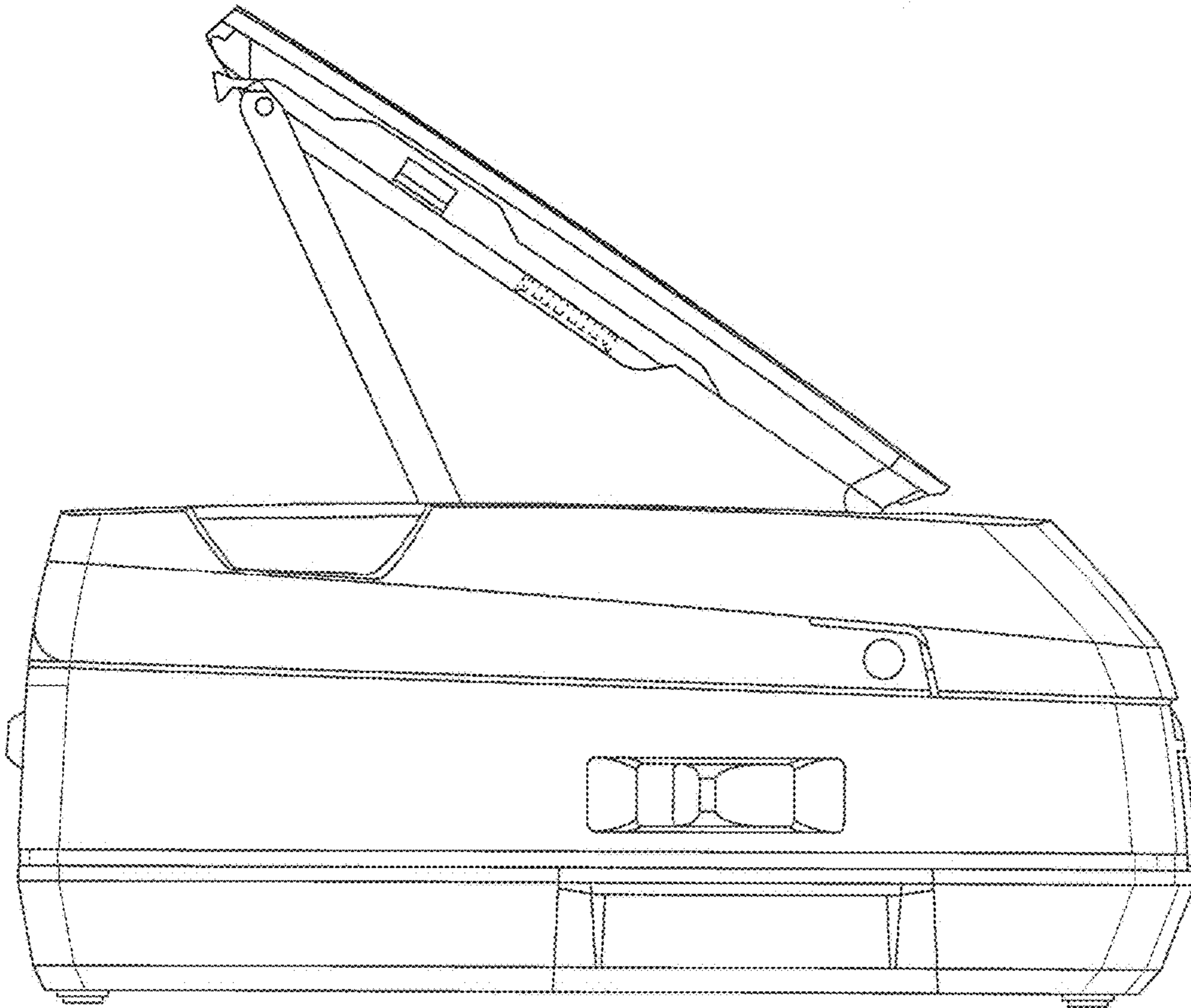


FIG. 10

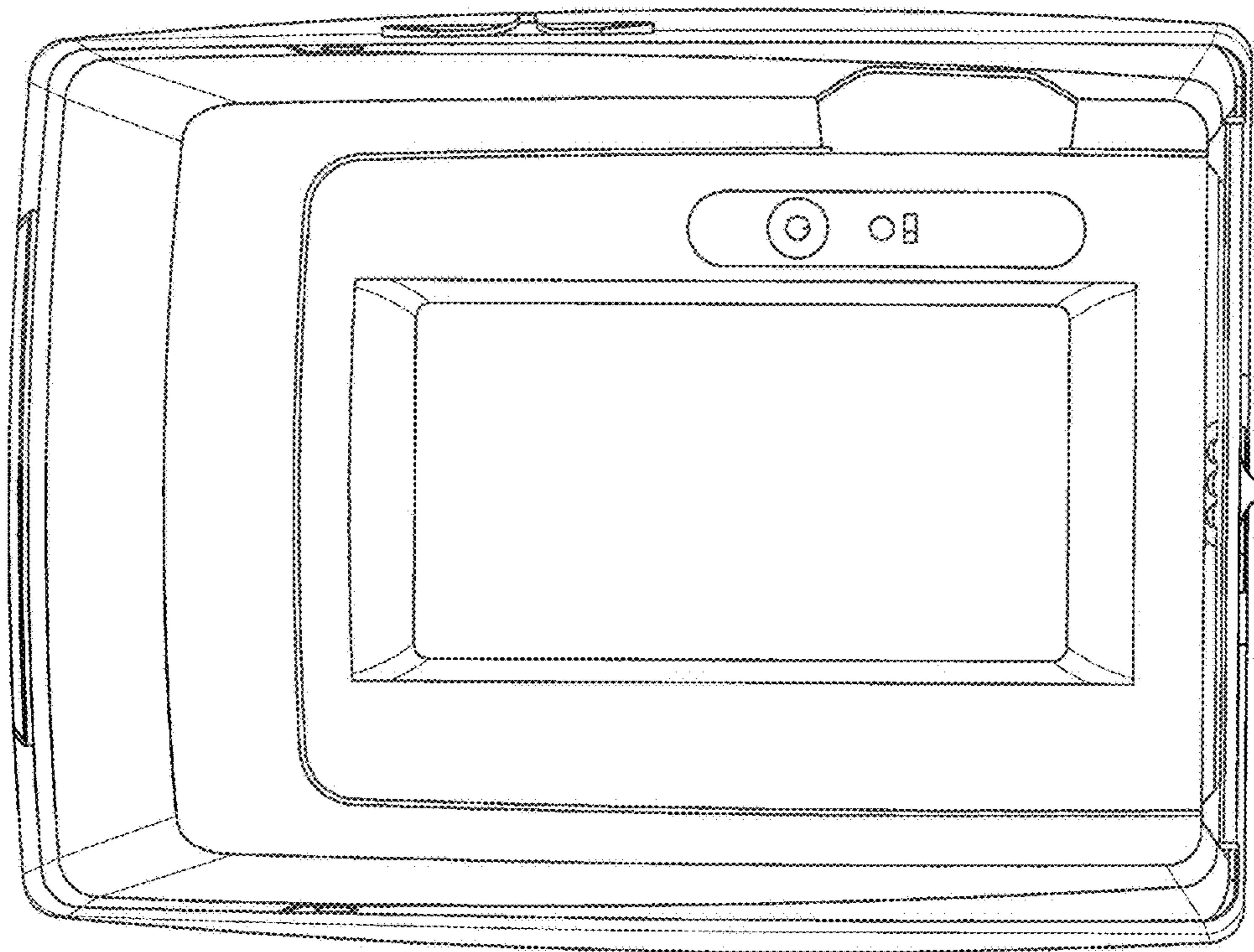


FIG. 11

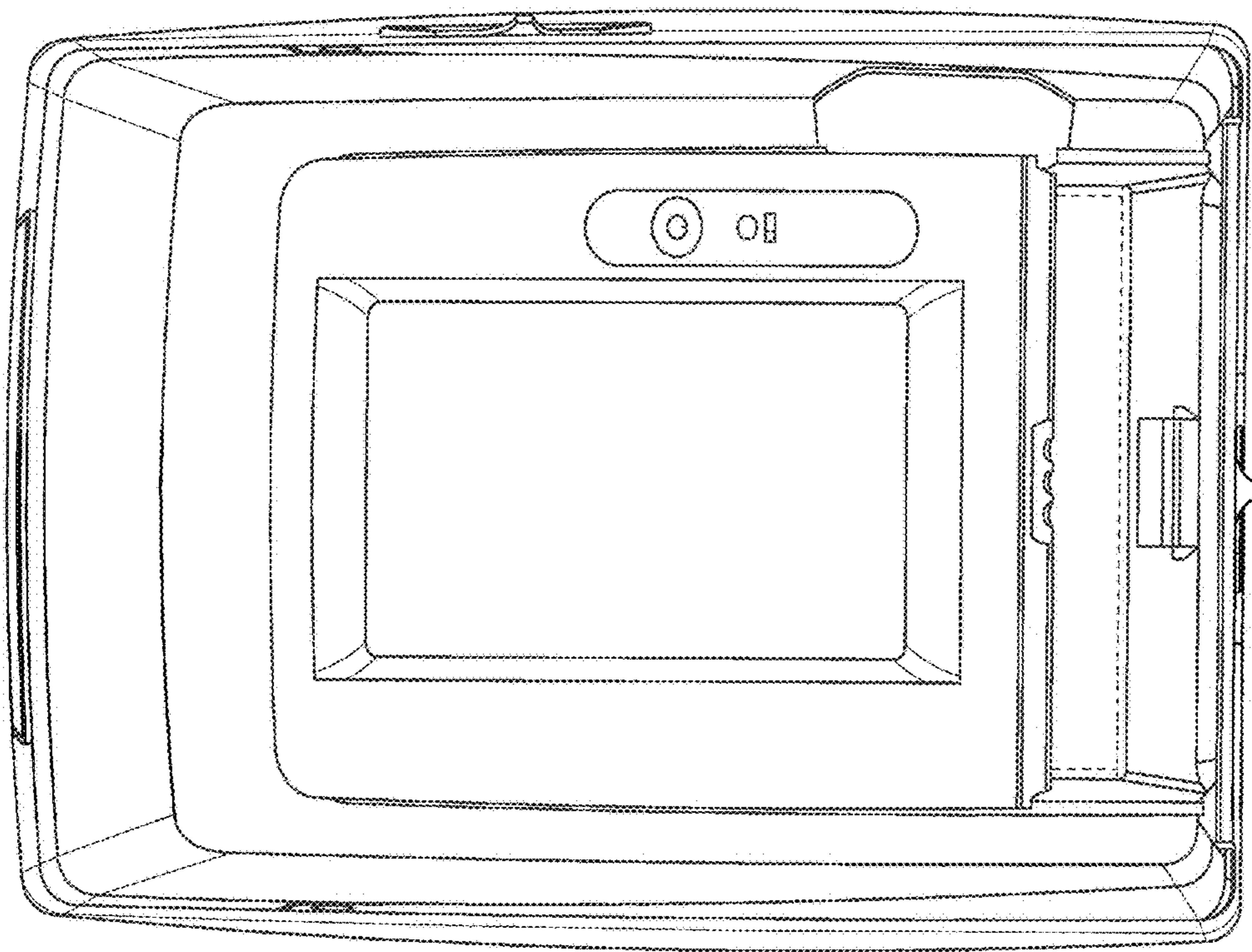


FIG. 12

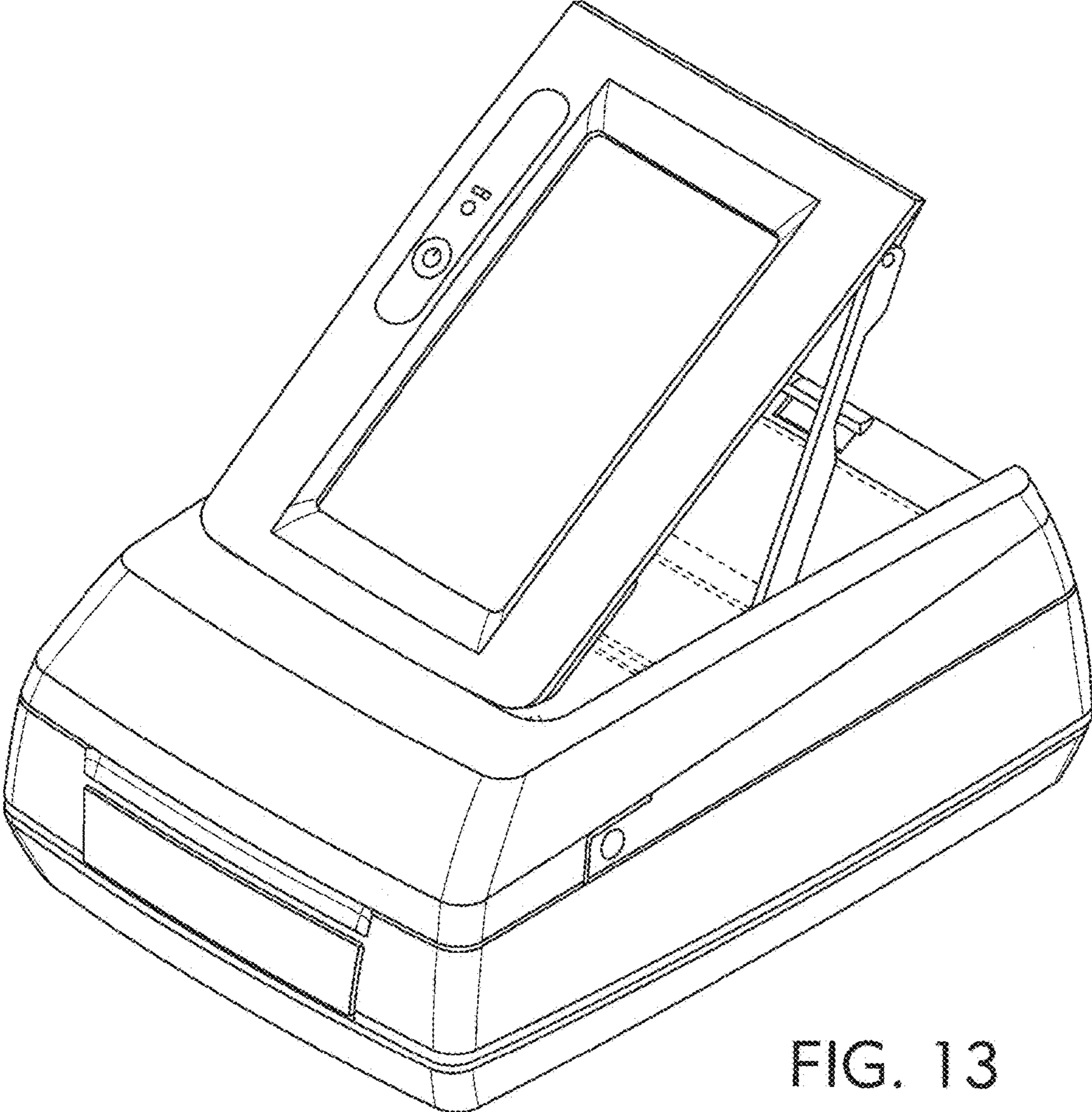


FIG. 13