

US00D835185S

(12) **United States Design Patent** (10) **Patent No.:** **US D835,185 S**
Isobe et al. (45) **Date of Patent:** **** Dec. 4, 2018**

(54) **LABEL PRINTER**

B65C 11/062; B65C 11/064; B65C 11/066; B65C 11/068

(71) Applicant: **SEIKO EPSON CORPORATION**,
Tokyo (JP)

See application file for complete search history.

(72) Inventors: **Shigeaki Isobe**, Matsumoto (JP);
Yasutomo Takahashi, Matsumoto (JP);
Hideki Sakano, Matsumoto (JP)

(56) **References Cited**

U.S. PATENT DOCUMENTS

D328,469 S * 8/1992 Stilley D18/14
D487,743 S * 3/2004 Kim D14/349
D495,329 S * 8/2004 Peng D14/352

(Continued)

(73) Assignee: **SEIKO EPSON CORPORATION**,
Tokyo (JP)

FOREIGN PATENT DOCUMENTS

(**) Term: **15 Years**

IN 262147-0001 * 12/2014

(21) Appl. No.: **29/586,749**

OTHER PUBLICATIONS

(22) Filed: **Dec. 6, 2016**

YouTube. <URL: <https://www.youtube.com/watch?v=g8SUJ-eT0eo>> Sep. 25, 2015. Brother P-Touch.*

(Continued)

(30) **Foreign Application Priority Data**

Jun. 8, 2016 (JP) 2016-012220

Primary Examiner — Brandon M Rosati

Assistant Examiner — Lauren McVey

(51) **LOC (11) Cl.** **18-99**

(57) **CLAIM**

(52) **U.S. Cl.**
USPC **D18/19**

The ornamental design for a label printer, as shown and described.

(58) **Field of Classification Search**

DESCRIPTION

USPC D18/19, 53, 50, 54, 56, 59, 36, 38, 39,
D18/40, 41, 45, 34.4, 34.5, 34.6;
D19/68; D14/314, 332, 348-349, 351,
D14/352

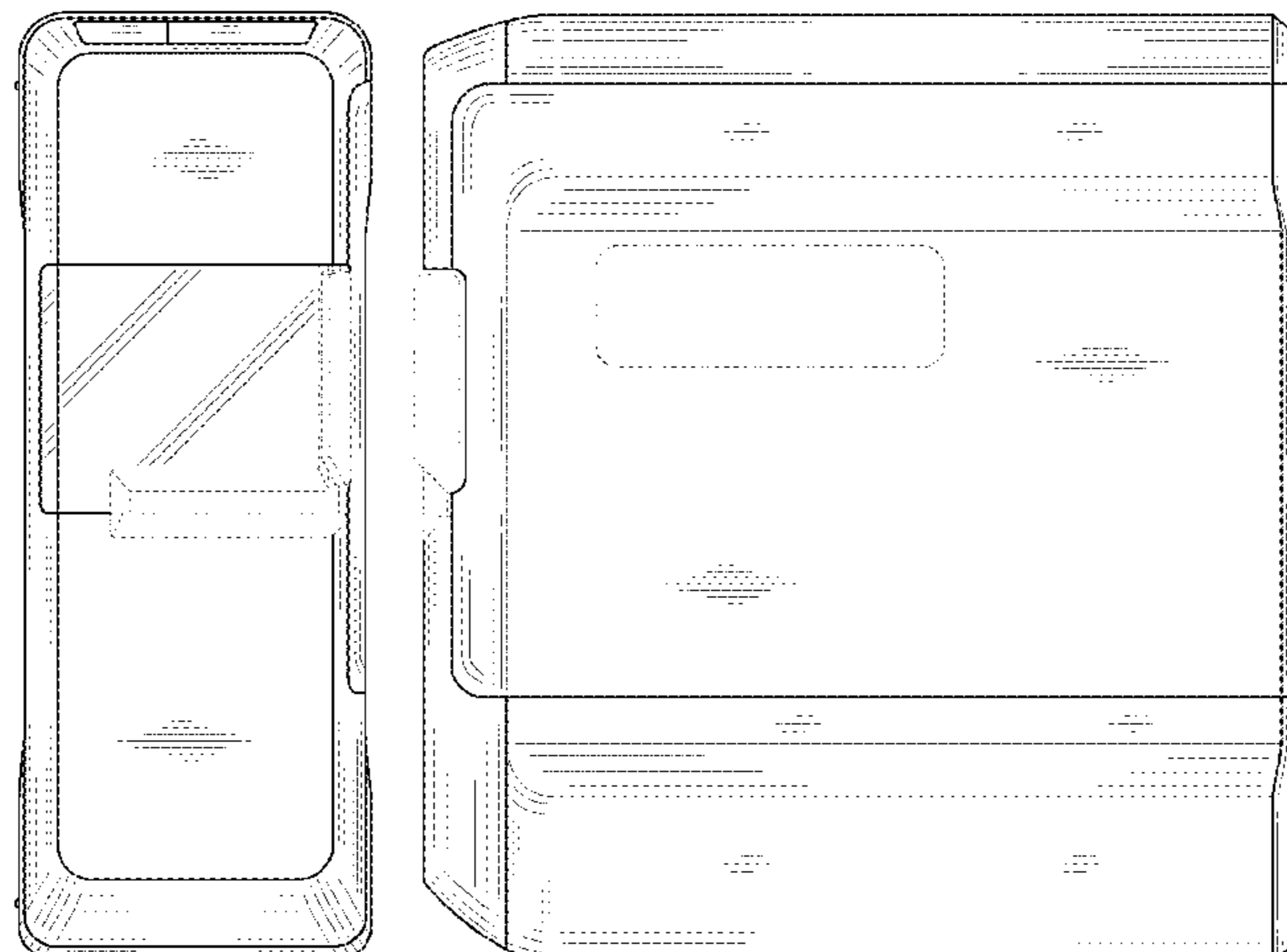
FIG. 1 is a front, top, and right side perspective view of a label printer showing our new design;
FIG. 2 is a rear, top, and left side perspective view thereof;
FIG. 3 is a front elevation view thereof;
FIG. 4 is a rear elevation view thereof;
FIG. 5 is a top plan view thereof;
FIG. 6 is a bottom plan view thereof;
FIG. 7 is a right side elevation view thereof; and,
FIG. 8 is a left side elevation view thereof.

CPC B41J 3/4075; B65C 11/00; B65C 11/02;
B65C 11/0205; B65C 11/021; B65C 11/0215;
B65C 11/0221; B65C 11/0226; B65C 11/0231;
B65C 11/0236; B65C 11/0242; B65C 11/0252; B65C 11/0257;
B65C 11/0268; B65C 11/0273; B65C 11/0284;
B65C 11/0289; B65C 11/0294; B65C 11/04;
B65C 11/046; B65C 11/06;

The oblique line shading shown in the drawings indicates a translucent surface.

The broken lines immediately adjacent the shaded areas represent the bounds of the claimed design while all other

(Continued)



broken lines are directed to environment and are for illustrative purposes only; the broken lines form no part of the claimed design.

1 Claim, 8 Drawing Sheets

(56) **References Cited**

U.S. PATENT DOCUMENTS

D495,696 S *	9/2004	Peng	D14/349
D522,505 S *	6/2006	Sun	D14/349
D523,427 S *	6/2006	Tsuzuki	D14/300
D530,324 S *	10/2006	Sun	D14/349
D585,058 S *	1/2009	Sun	D14/349
D608,779 S *	1/2010	Chen	D14/349
D697,906 S *	1/2014	Morooka	D13/184
D715,356 S *	10/2014	Nakagawa	D18/19
D745,598 S *	12/2015	Nakayama	D18/19
D800,210 S *	10/2017	Kamei	D18/14

OTHER PUBLICATIONS

YouTube. <URL: <https://www.youtube.com/watch?v=6zSmqC6dYwA>.> Feb. 15, 2017. 10 Best Label Printers 2017.*

* cited by examiner

FIG. 1

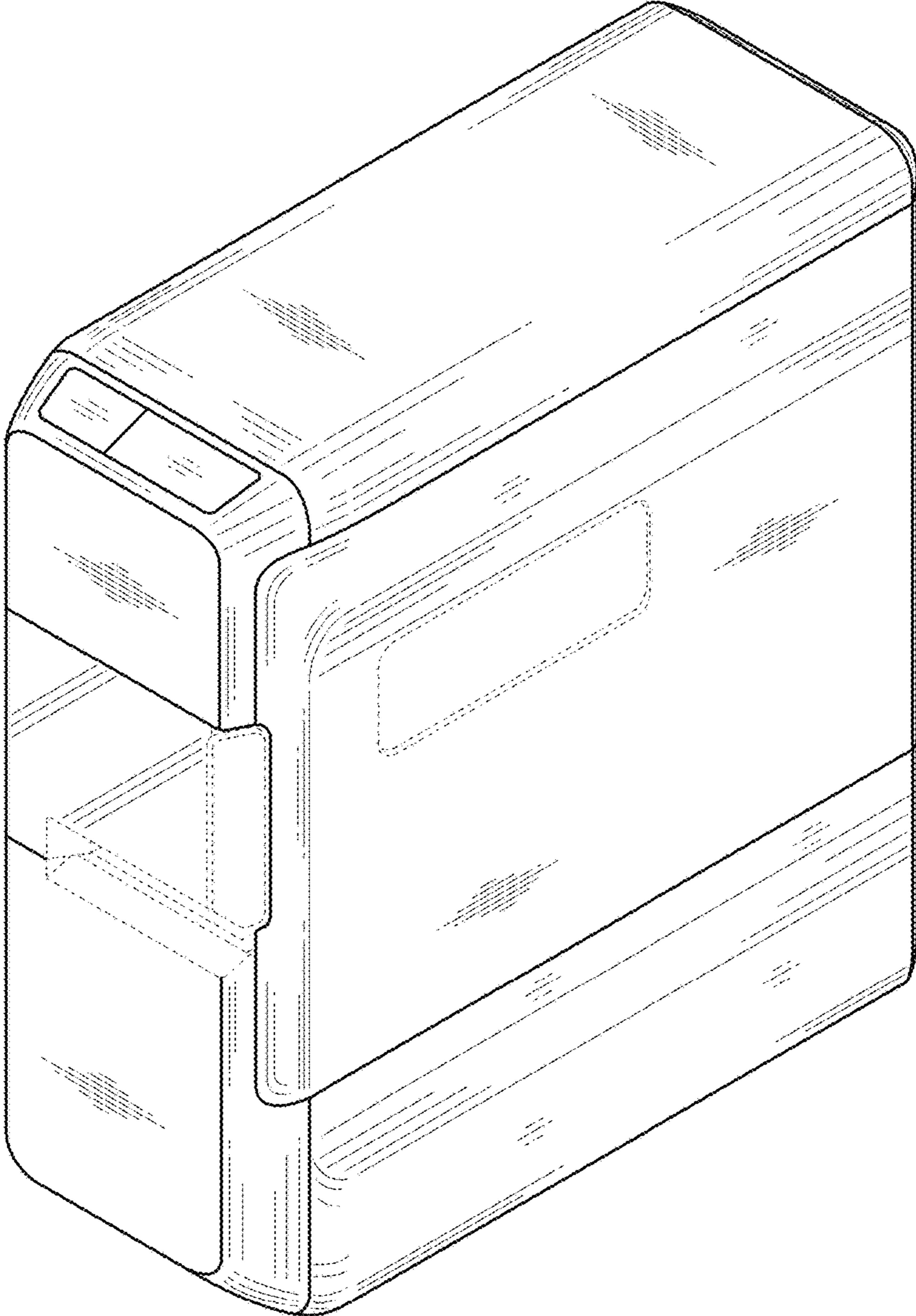


FIG. 2

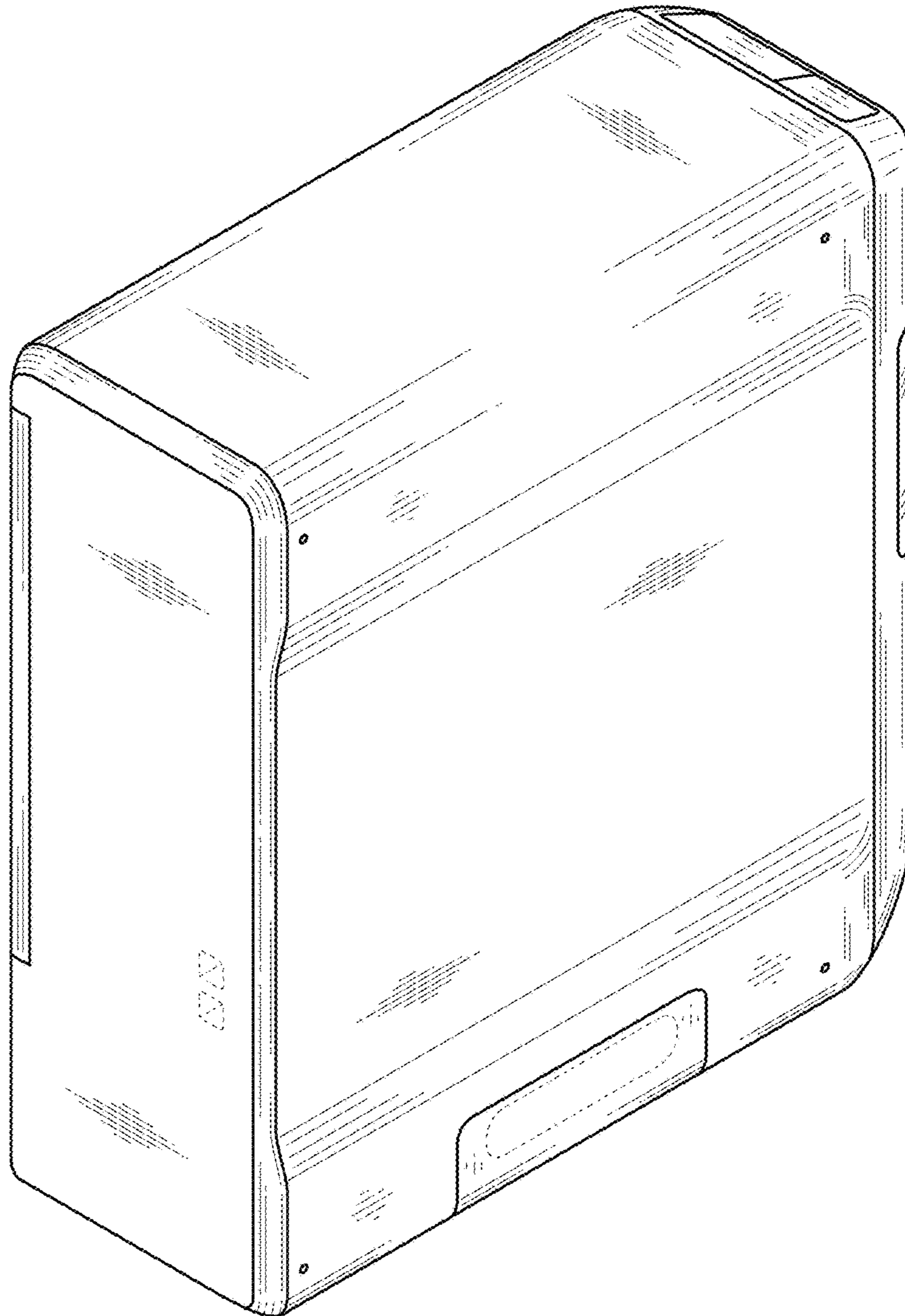


FIG. 3

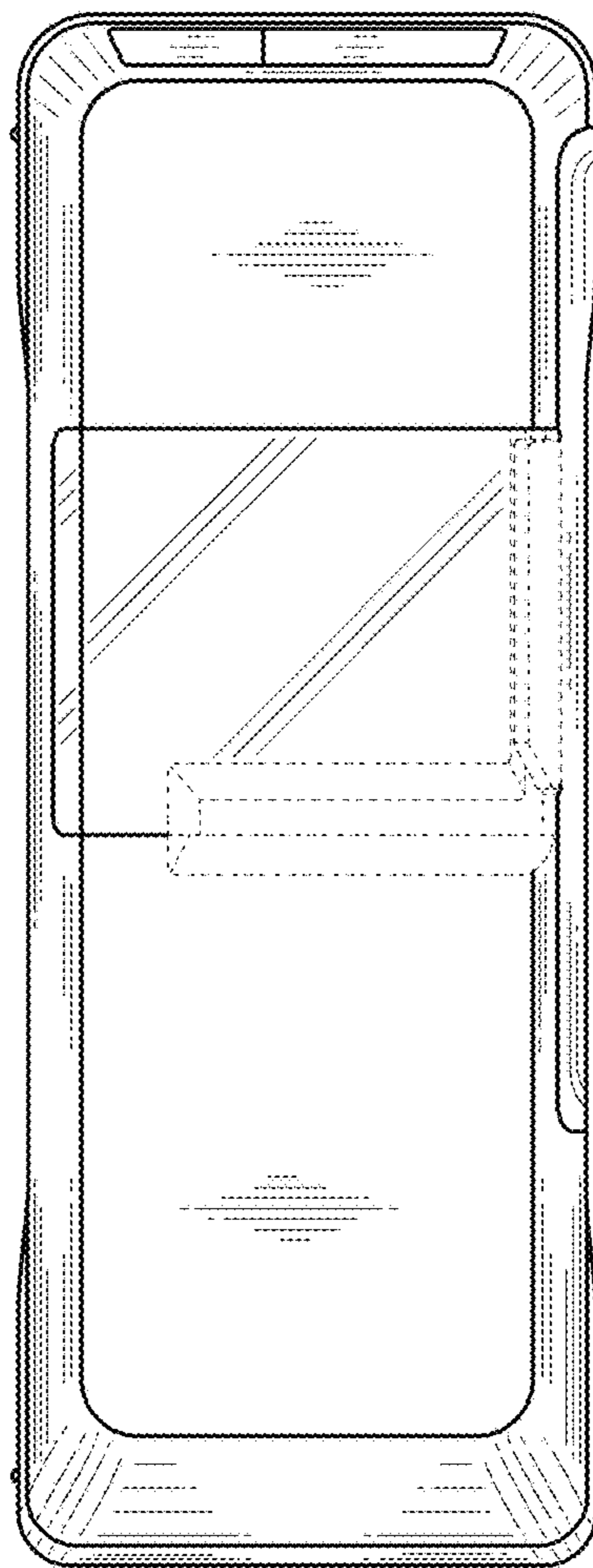


FIG. 4

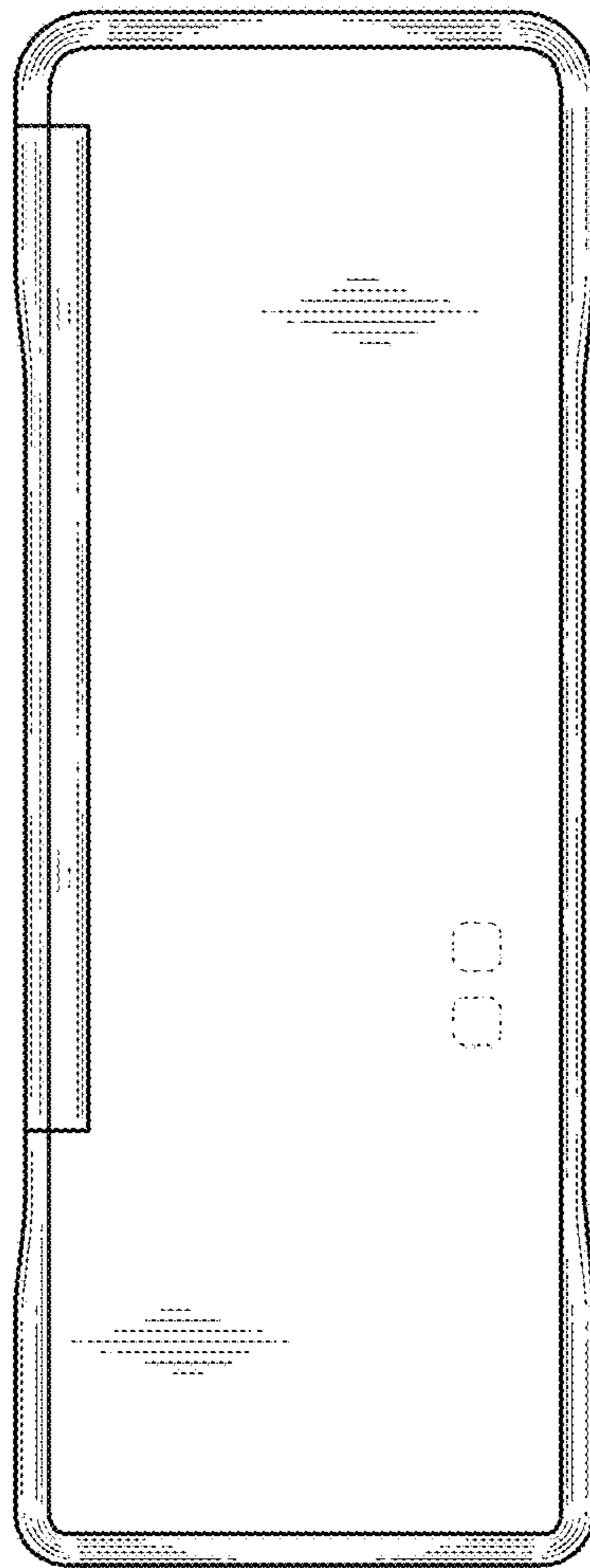


FIG. 5

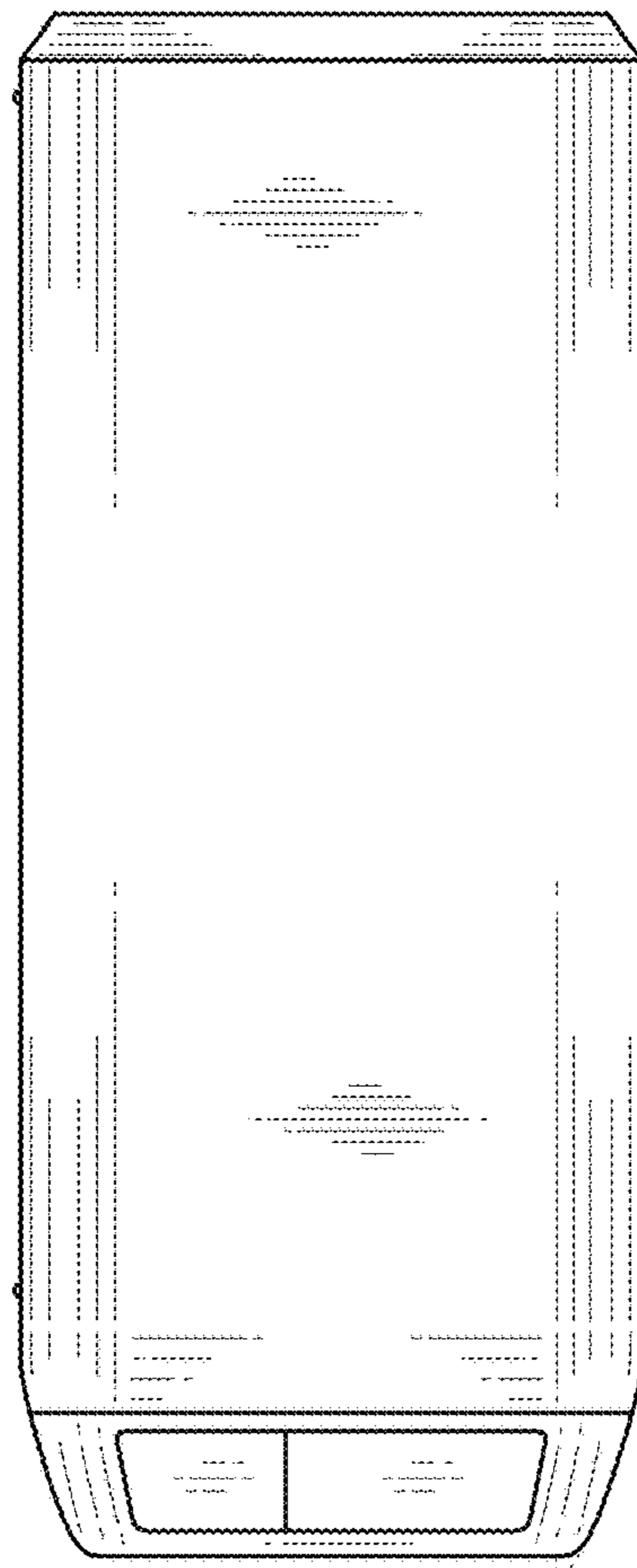


FIG. 6

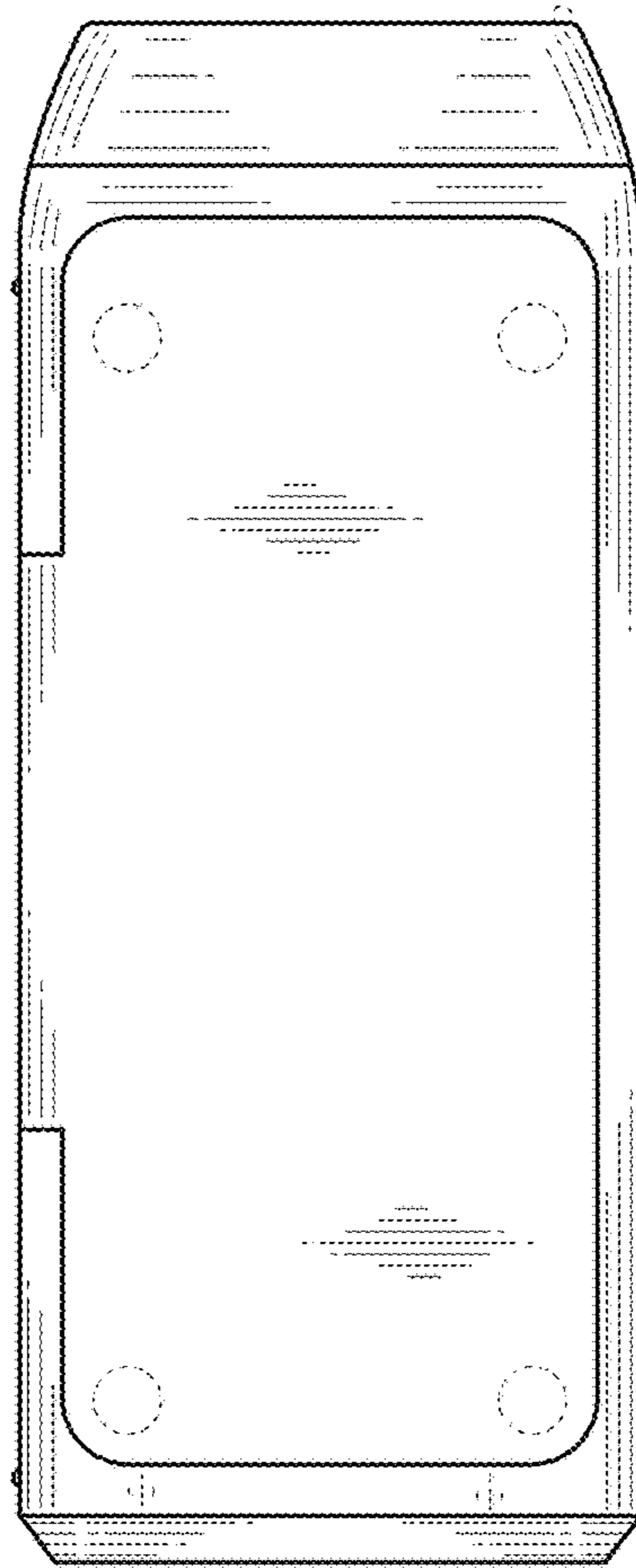


FIG. 7

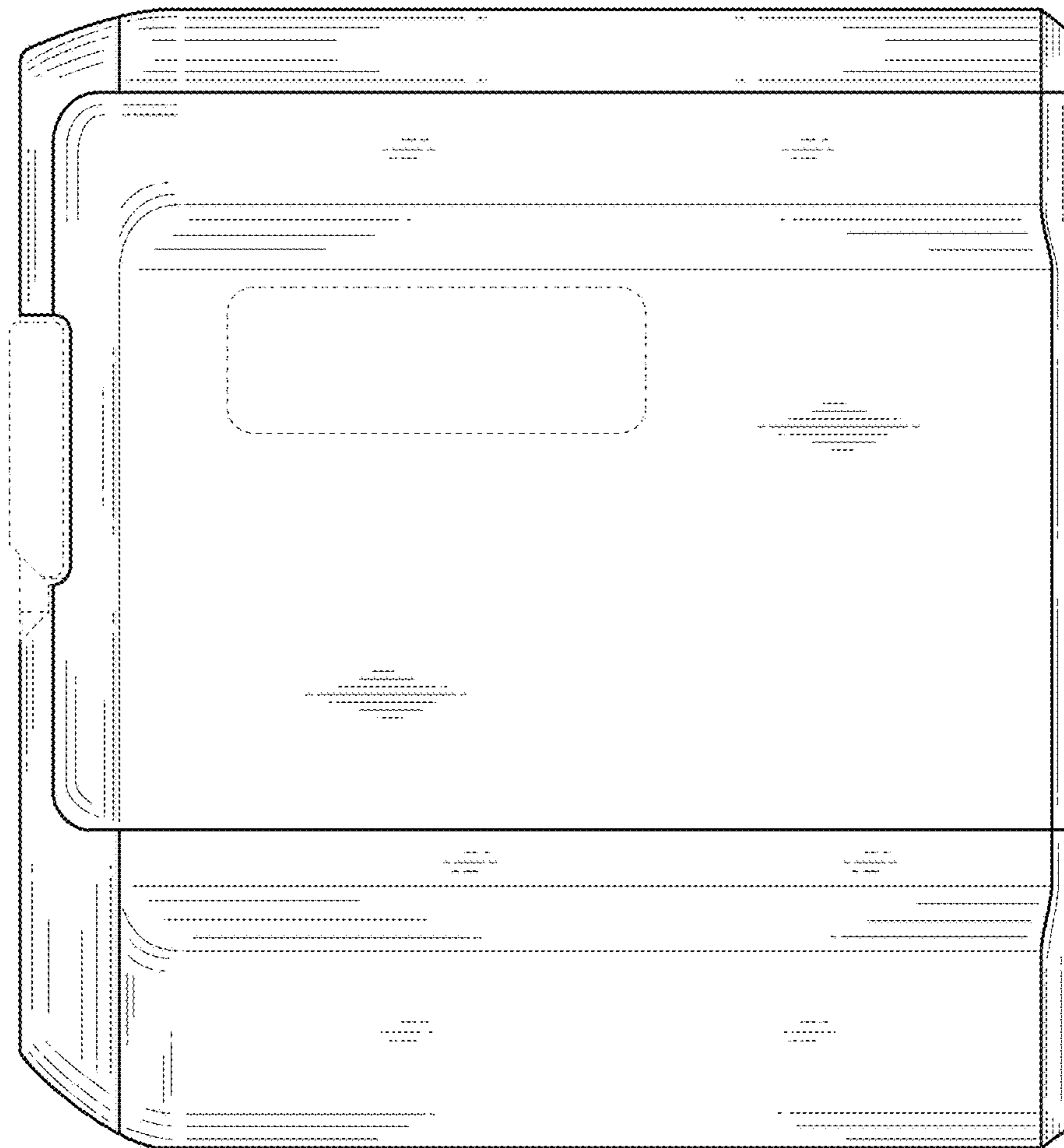


FIG. 8

