



US00D835183S

(12) **United States Design Patent** (10) **Patent No.:** **US D835,183 S**
Nieh (45) **Date of Patent:** **** Dec. 4, 2018**

(54) **DEVICE FOR MUSICAL INSTRUMENT PRACTICE**

FOREIGN PATENT DOCUMENTS

(71) Applicant: **Tzu-Chi Nieh**, Taipei (TW)

EM 000005665-0001 * 4/2003

(72) Inventor: **Tzu-Chi Nieh**, Taipei (TW)

OTHER PUBLICATIONS

(**) Term: **15 Years**

Amazon, Windshield phone holder, posted Apr. 12, 2015, [online], [site visited Jul. 17, 2018]. Available from Internet, <URL: https://www.amazon.co.uk/Excellent-Windshield-Mount-Holder-iPhone/dp/B00UARW57O/ref=sr_1_55?ie=UTF8&qid=1531861447&sr=8-55&keywords=car+mount+phone+holder> (Year: 2015).*

(21) Appl. No.: **29/591,201**

(22) Filed: **Jan. 18, 2017**

* cited by examiner

(51) **LOC (11) Cl.** **17-99**

(52) **U.S. Cl.**
USPC **D17/99**; D8/395

Primary Examiner — Sheryl Lane
Assistant Examiner — Samantha N Wood

(58) **Field of Classification Search**
USPC D17/14, 15, 16, 17, 18, 19, 20, 21, 99,
D17/13; D8/396, 395, 398, 394;
D10/102, 98-96; D14/426, 507, 186;
D13/168

(57) **CLAIM**

The ornamental design for a device for musical instrument practice, as shown and described.

CPC G10D 1/00; G10D 1/08; G10D 3/043;
G10D 3/14; G10D 3/143; G10D 3/04;
G10G 7/02

DESCRIPTION

See application file for complete search history.

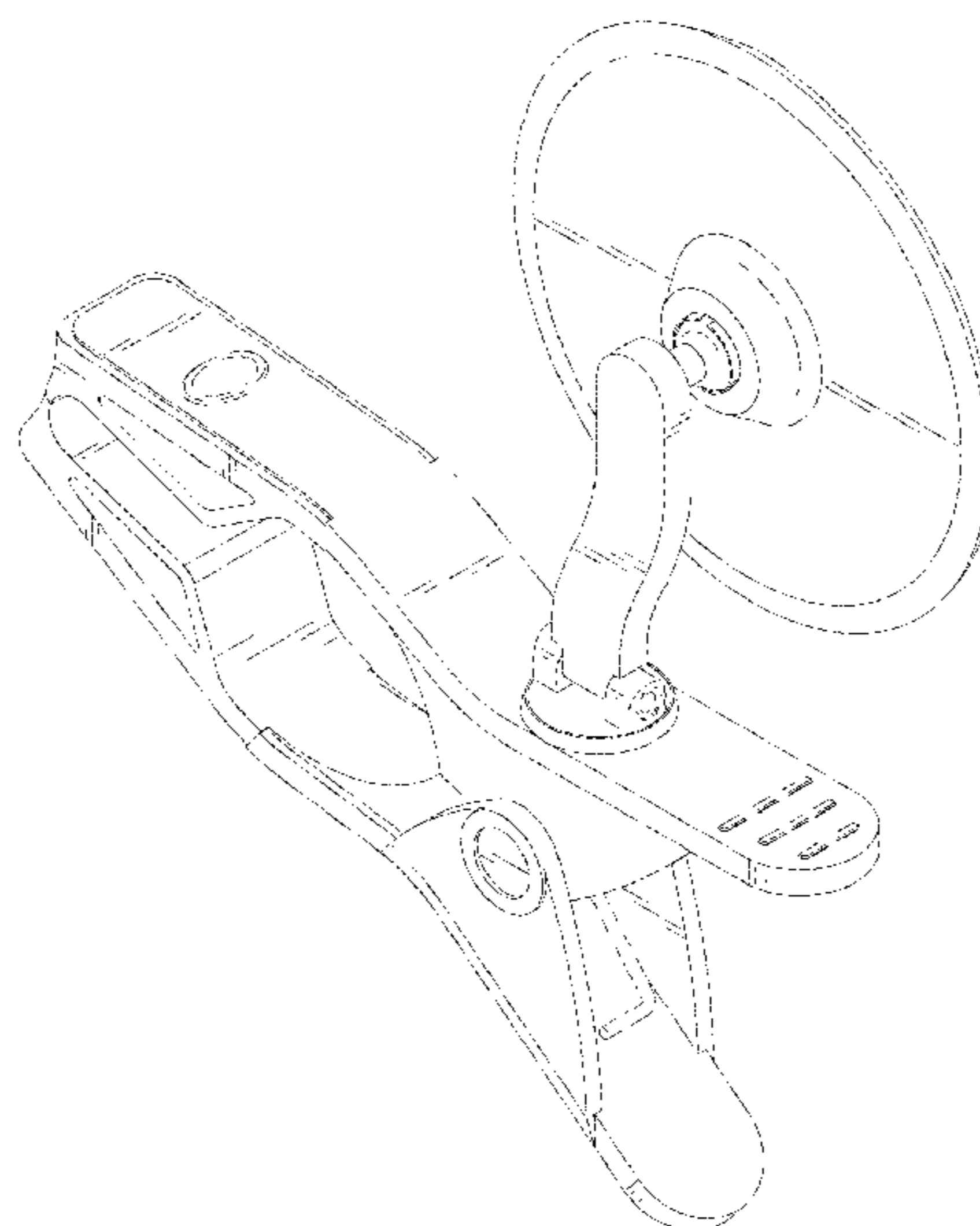
FIG. 1 is a perspective view of a device for musical instrument practice showing my new design; FIG. 2 is a front elevation view thereof; FIG. 3 is a rear elevation view thereof; FIG. 4 is a left side view thereof; FIG. 5 is a right side view thereof; FIG. 6 is a top plan view thereof; and FIG. 7 is a bottom plan view thereof; FIG. 8 is a perspective view showing the design of the device for musical instrument practice in a usage condition; and, FIG. 9 is a perspective view showing the design of the device for musical instrument practice in a usage condition. The broken line portion of the figure drawings is included to show unclaimed subject matter only and forms no part of the claimed design.

(56) **References Cited**

U.S. PATENT DOCUMENTS

1,910,864 A * 5/1933 Szyminski A47G 1/24
248/288.51
3,543,633 A * 12/1970 Batten A47B 23/004
248/229.23
D287,100 S * 12/1986 Saunders, IV D12/114
D287,224 S * 12/1986 Saunders, IV D12/114
5,990,403 A * 11/1999 Membreno G10G 7/02
84/453
D433,318 S * 11/2000 Chang D8/395
D725,462 S * 3/2015 Zilisch D8/395
D731,912 S * 6/2015 Beverly D10/121
D775,271 S * 12/2016 Ridinger D14/188
2006/0075875 A1 * 4/2006 Membreno G10G 7/02
84/394

1 Claim, 7 Drawing Sheets



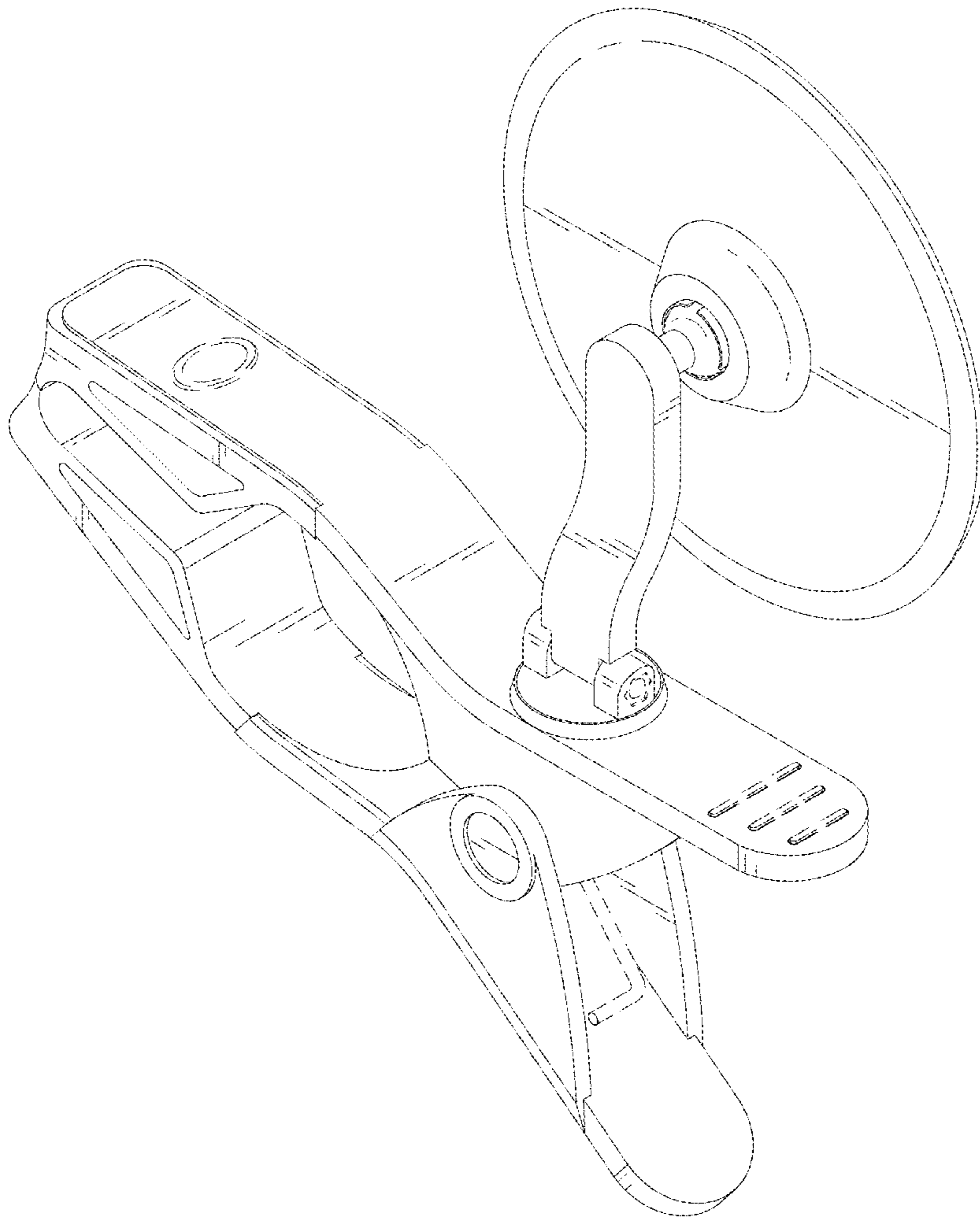


FIG. 1

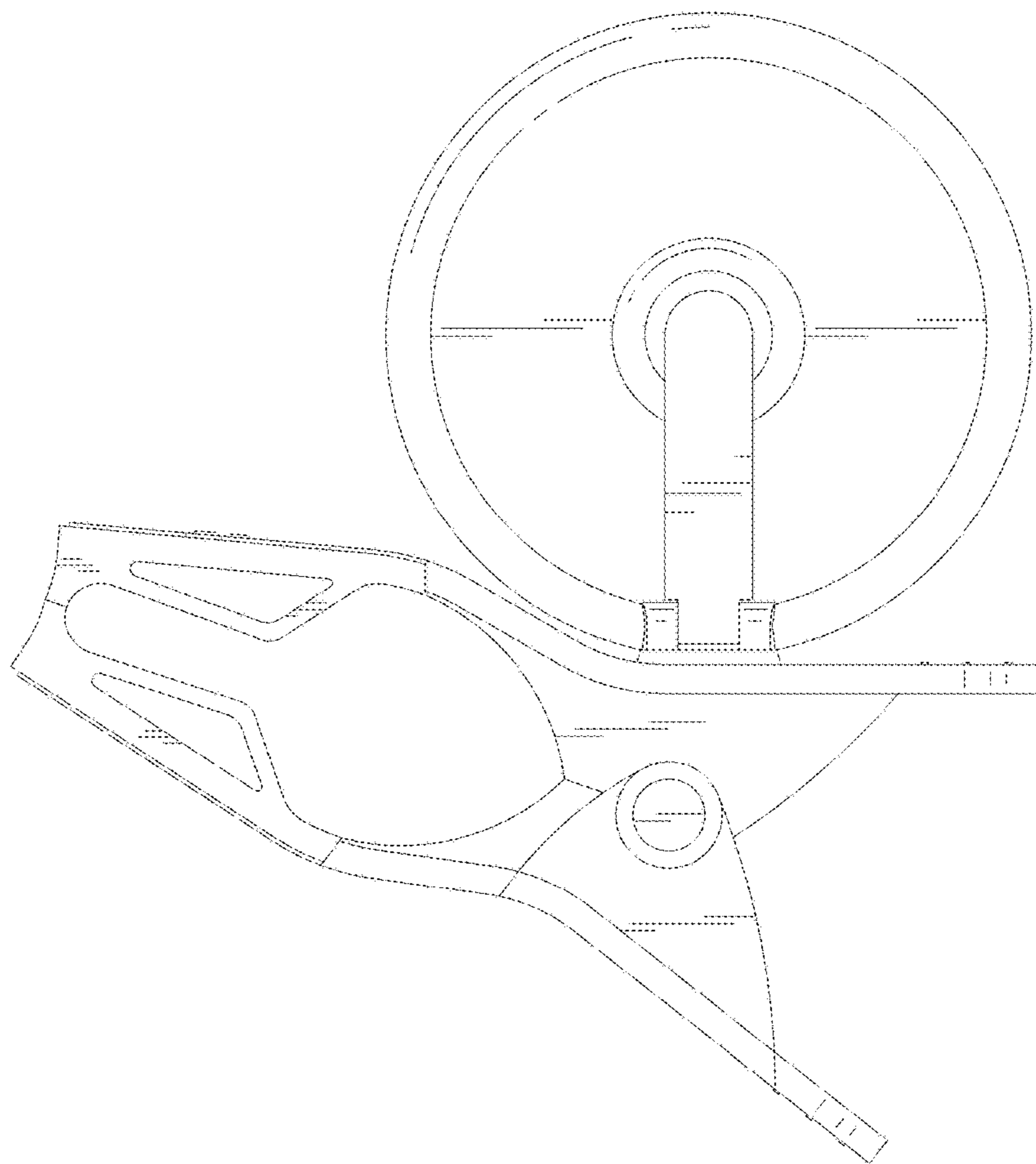


FIG. 2

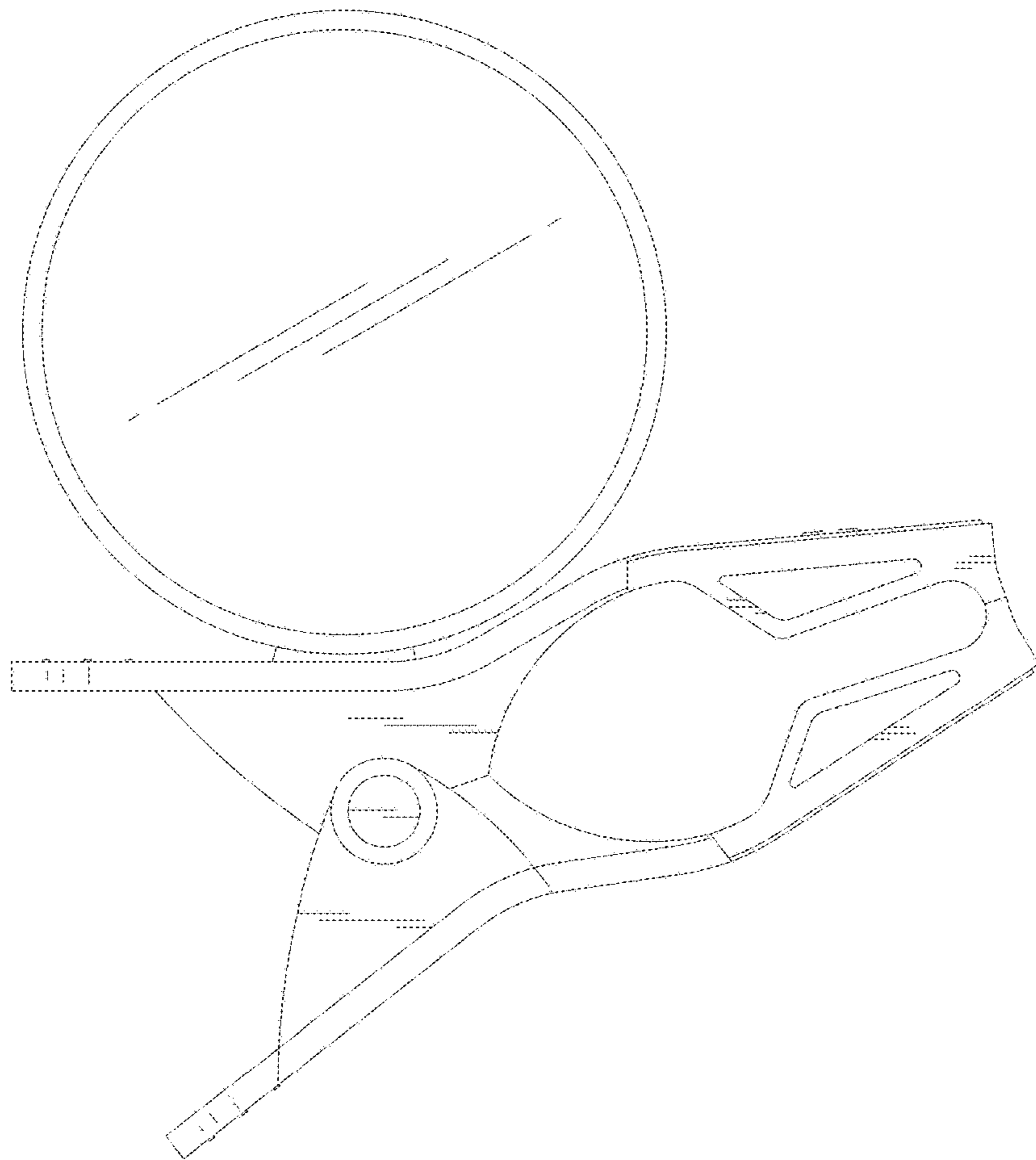


FIG 3

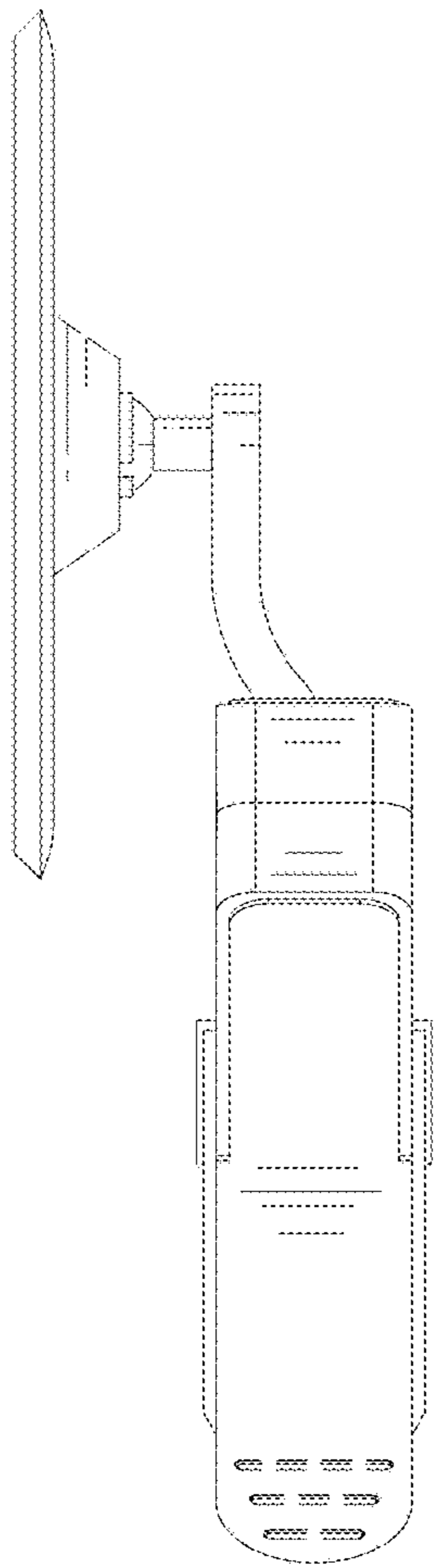


FIG. 4

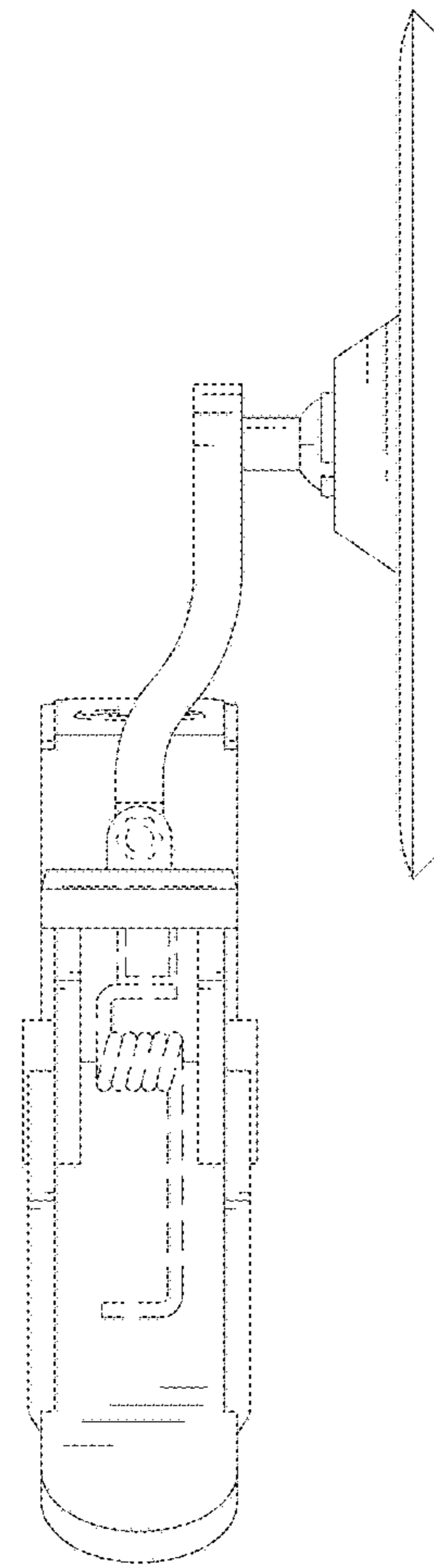


FIG. 5

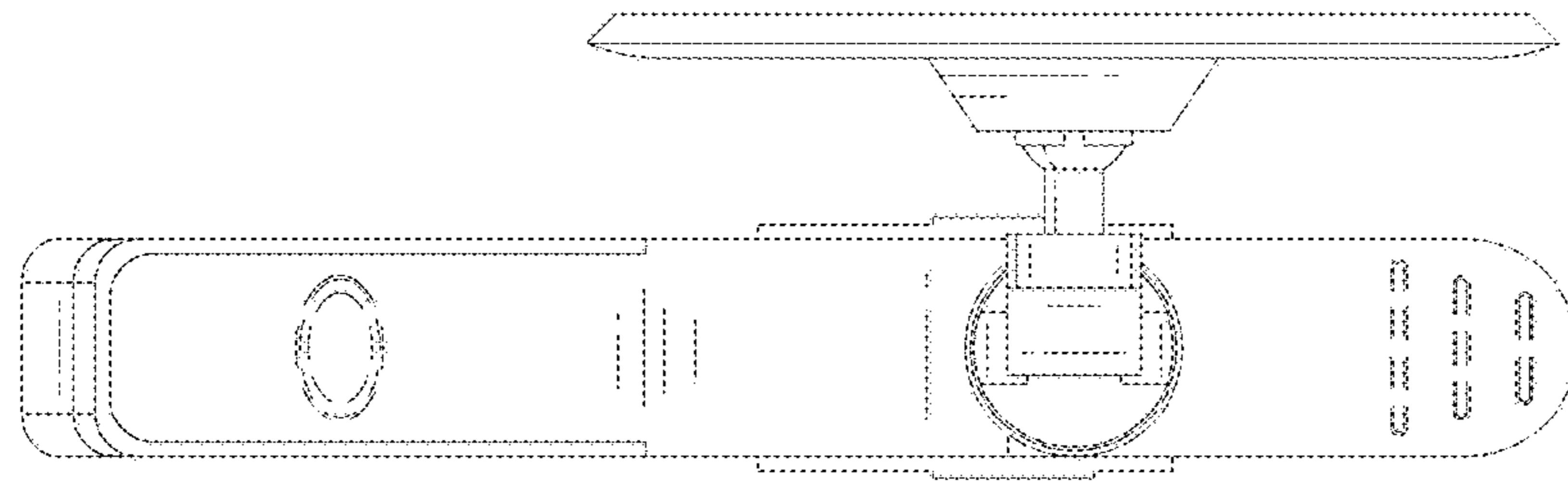


FIG. 6

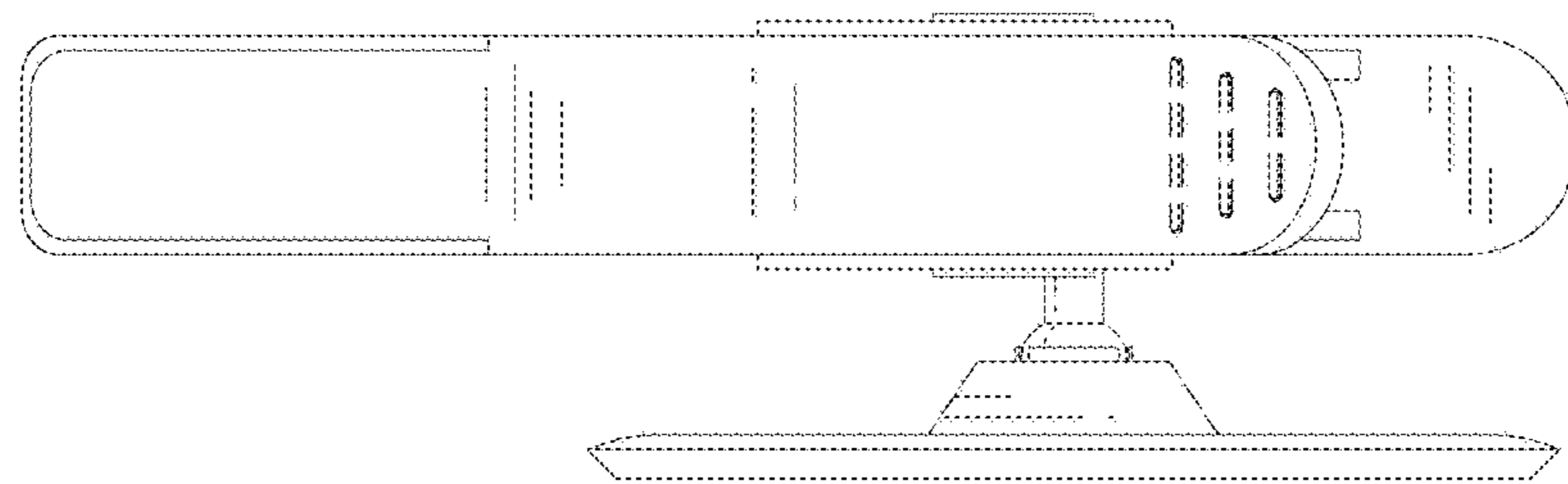


FIG. 7

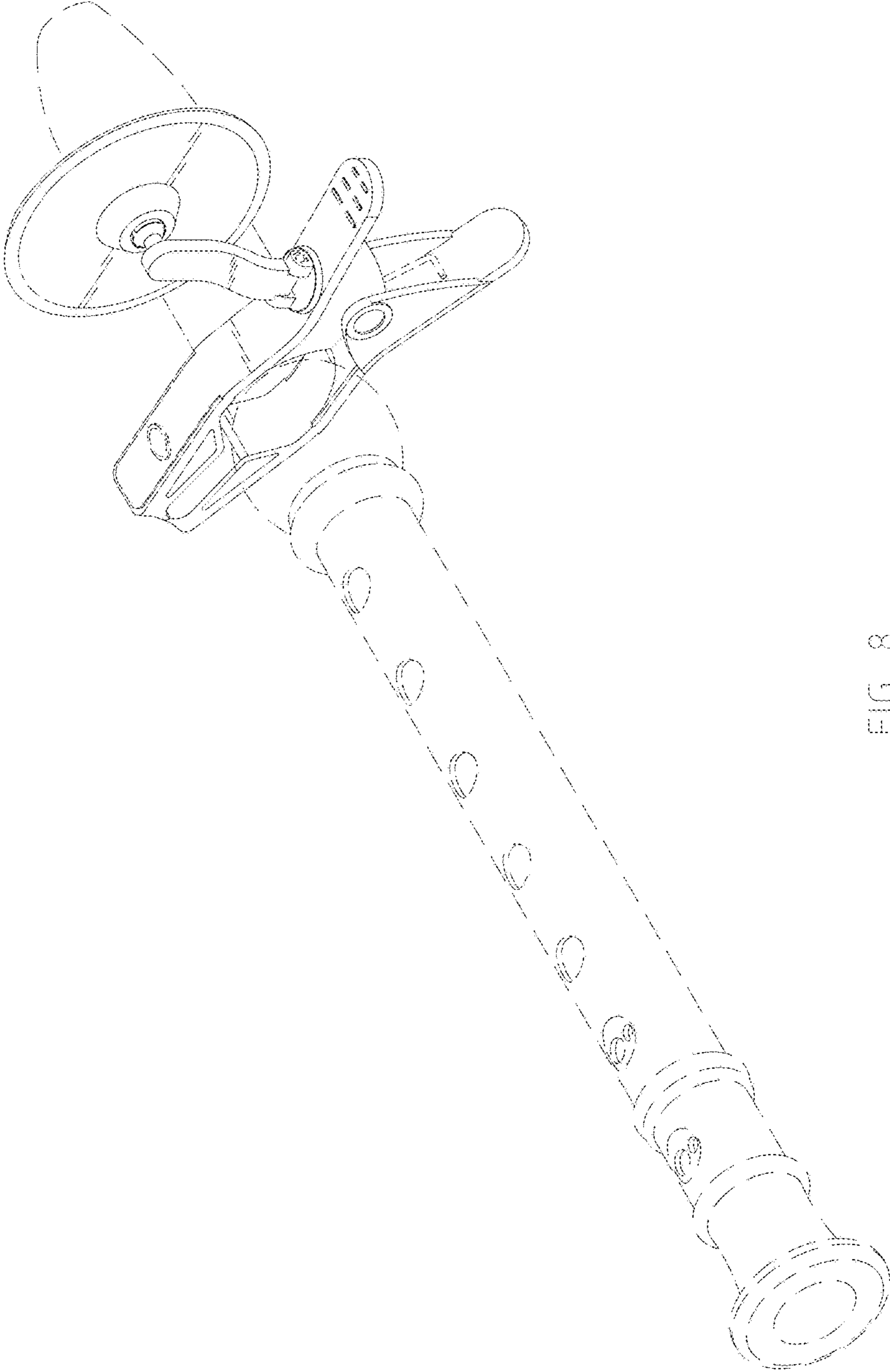


FIG. 8

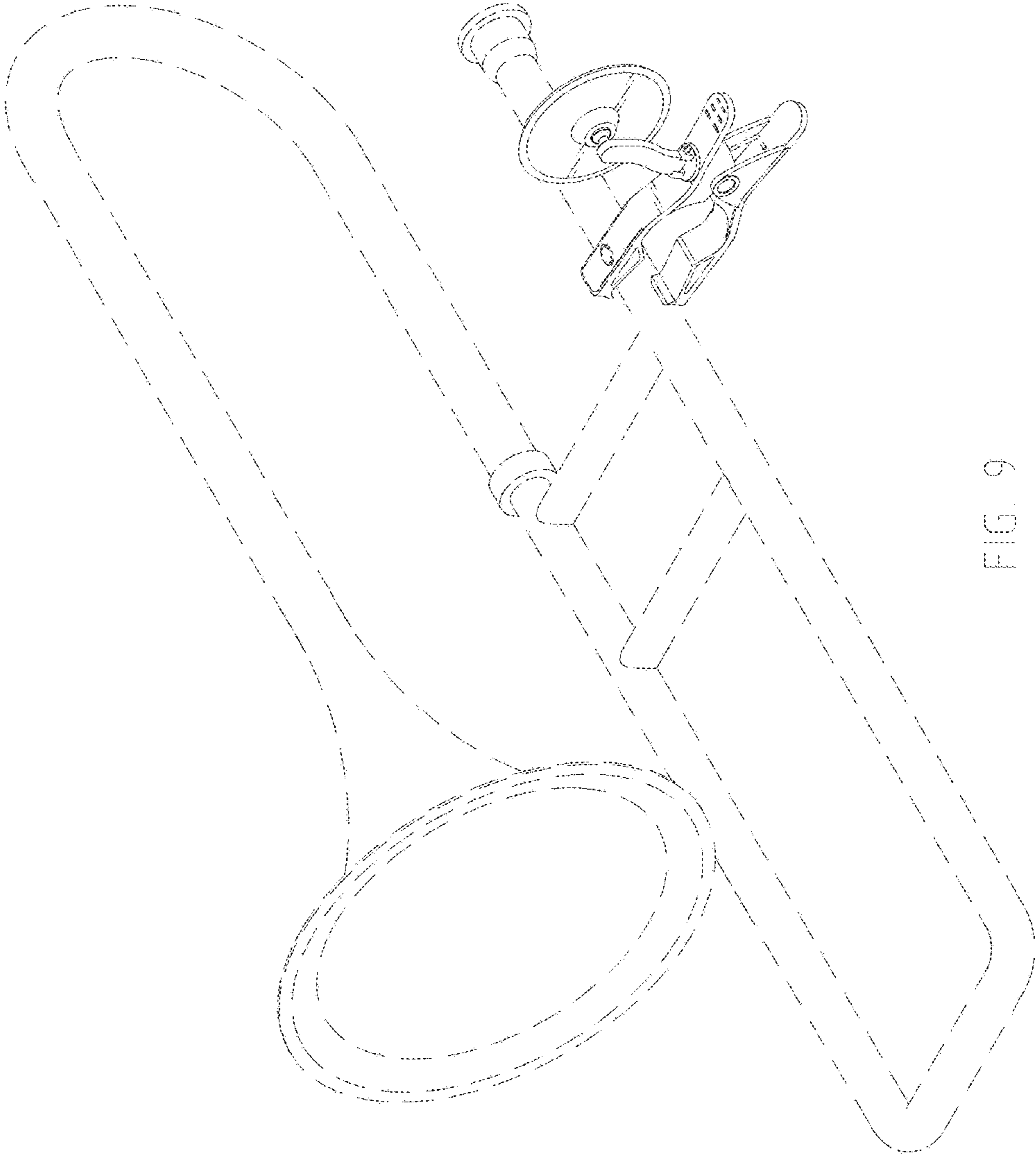


FIG. 9