



US00D835182S

(12) **United States Design Patent**
Zanella

(10) **Patent No.:** **US D835,182 S**

(45) **Date of Patent:** **** Dec. 4, 2018**

(54) **ACOUSTIC RESONATOR**

(71) Applicant: **Martin Pedro Carrasco Zanella,**
Meteppec (MX)

(72) Inventor: **Martin Pedro Carrasco Zanella,**
Meteppec (MX)

(**) Term: **15 Years**

(21) Appl. No.: **29/565,615**

(22) Filed: **May 23, 2016**

(30) **Foreign Application Priority Data**

Nov. 23, 2015 (MX) MX/F/2015/003520

(51) **LOC (11) Cl.** **17-03**

(52) **U.S. Cl.**
USPC **D17/19; D14/204**

(58) **Field of Classification Search**
USPC D17/1, 2, 7, 8, 9, 10, 13, 19, 20, 22;
D10/120; D21/405, 409; D14/204
CPC . G10D 7/00; G10H 1/34; G11B 15/02; B01L
9/00
See application file for complete search history.

(56) **References Cited**

U.S. PATENT DOCUMENTS

D46,294 S * 8/1914 Rubes D10/120
1,592,007 A * 7/1926 Scholz G10D 7/10
84/395
D93,265 S * 9/1934 Billig D10/120
D114,960 S * 5/1939 Nielsen D10/120
D150,132 S * 7/1948 Green D17/10
D154,725 S * 8/1949 Thompson D17/10
D159,738 S * 8/1950 Legler D17/10
2,947,211 A * 8/1960 Shuman G10D 7/10
84/388

2,987,950 A * 6/1961 Kent G10D 7/10
84/388
4,996,902 A * 3/1991 Hulot G10D 7/10
84/390
D548,271 S * 8/2007 Chang D17/10
D708,253 S * 7/2014 Braithwaite D17/13
D763,717 S * 8/2016 Chen D10/120

* cited by examiner

Primary Examiner — Mark A Goodwin
Assistant Examiner — Benjamin M Weeks
(74) *Attorney, Agent, or Firm* — McCarter & English,
LLP

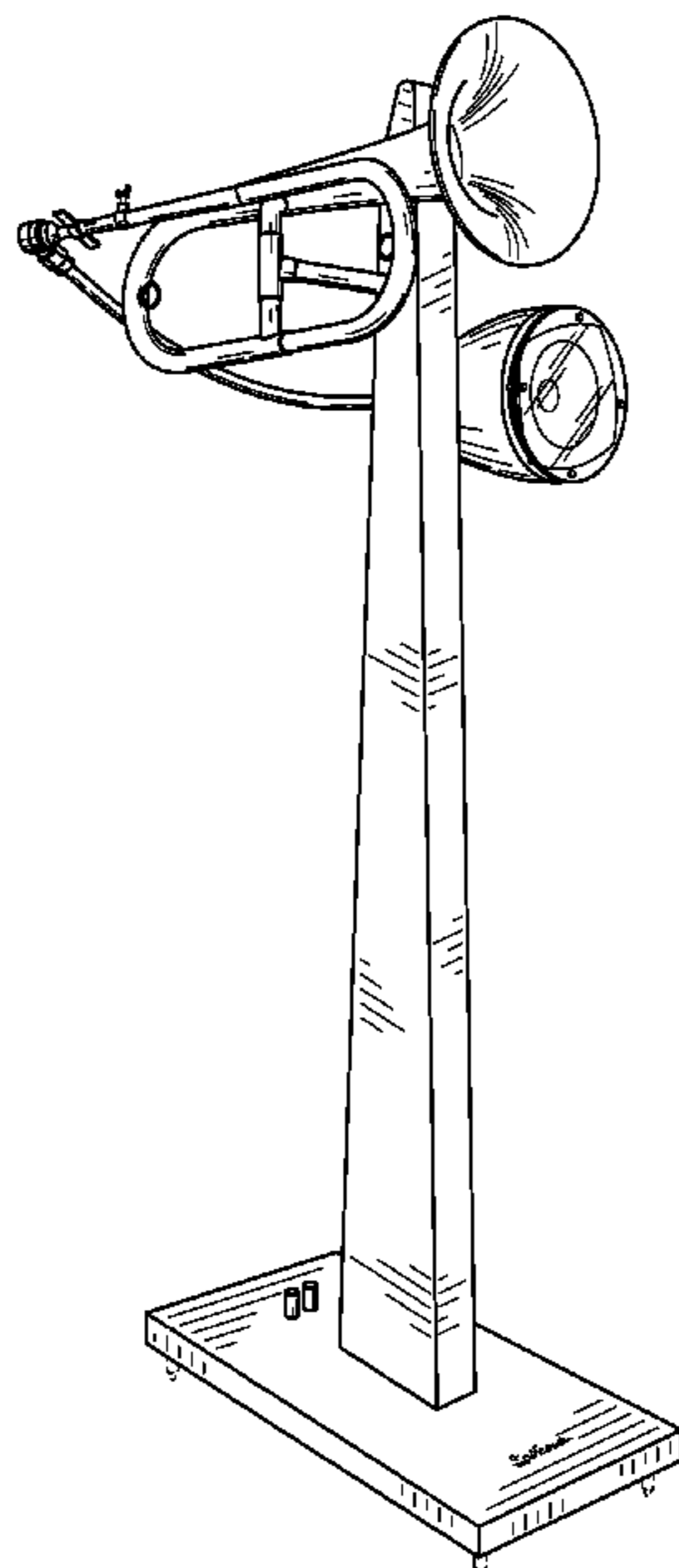
(57) **CLAIM**

The ornamental design for an acoustic resonator, as shown and described.

DESCRIPTION

FIG. 1 is a front, left perspective view of an acoustic resonator;
FIG. 2 is a front, right perspective view of an acoustic resonator of FIG. 1;
FIG. 3 is a front elevational view of an acoustic resonator of FIG. 1;
FIG. 4 is a rear elevational view of an acoustic resonator of FIG. 1;
FIG. 5 is a right side elevational view of an acoustic resonator of FIG. 1;
FIG. 6 is a left side elevational view of an acoustic resonator of FIG. 1;
FIG. 7 is a top plan view of an acoustic resonator of FIG. 1;
and,
FIG. 8 is a bottom plan view an acoustic resonator of FIG. 1.

1 Claim, 8 Drawing Sheets



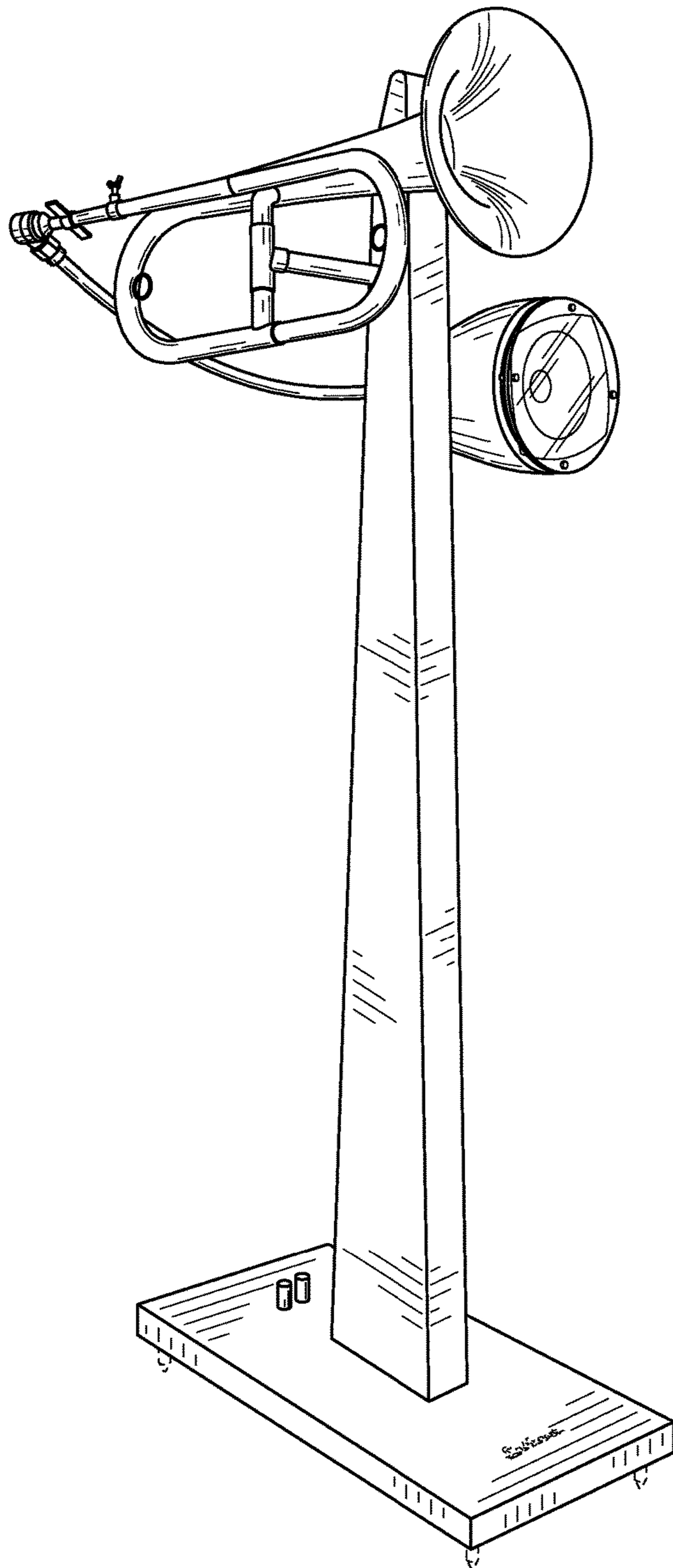


FIG. 1

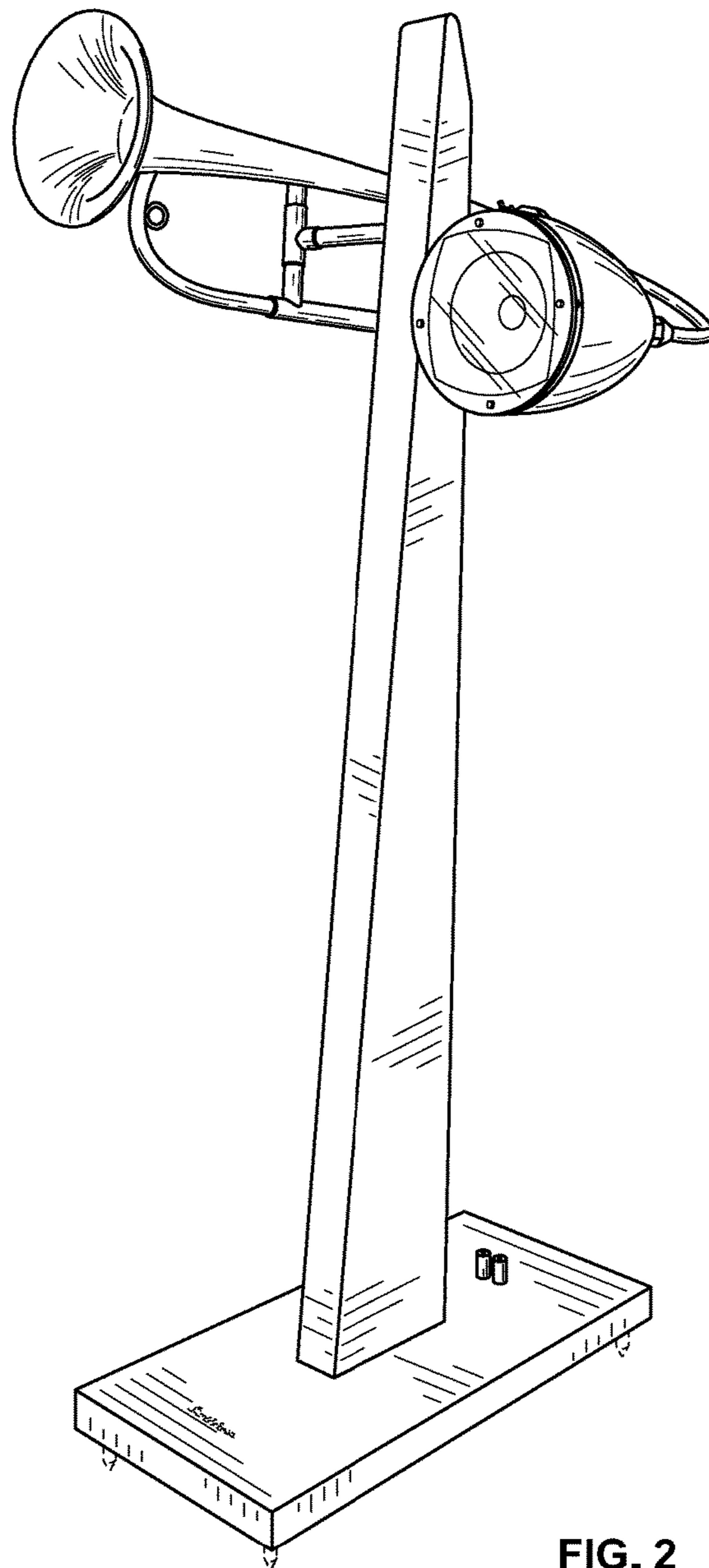


FIG. 2

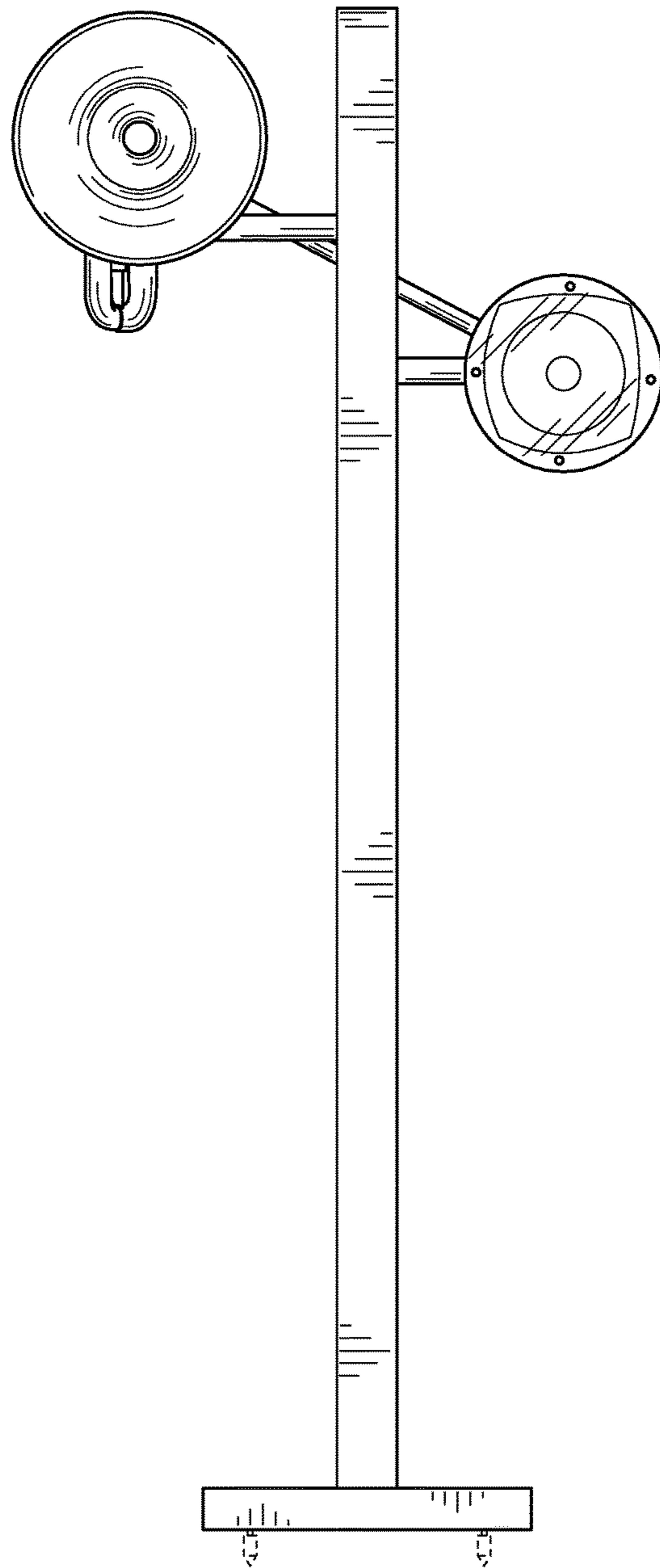


FIG. 3

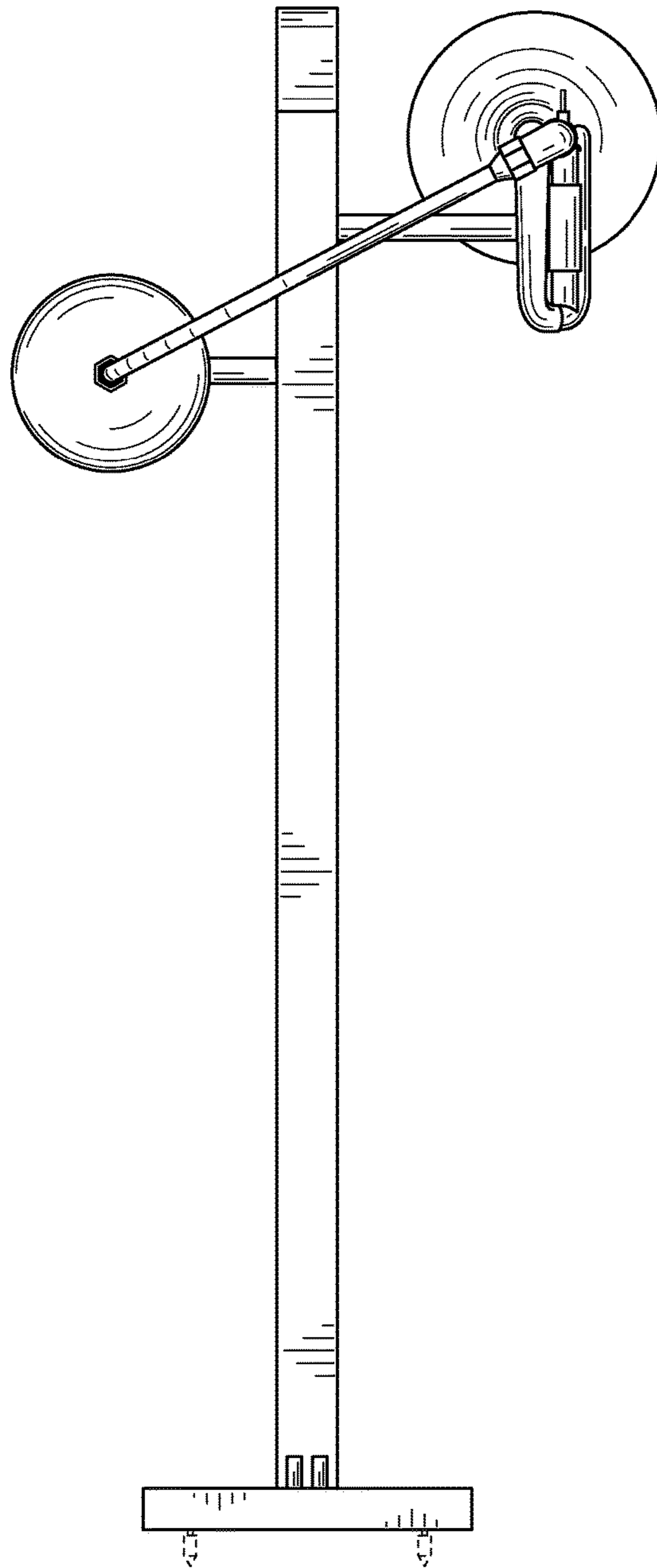


FIG. 4

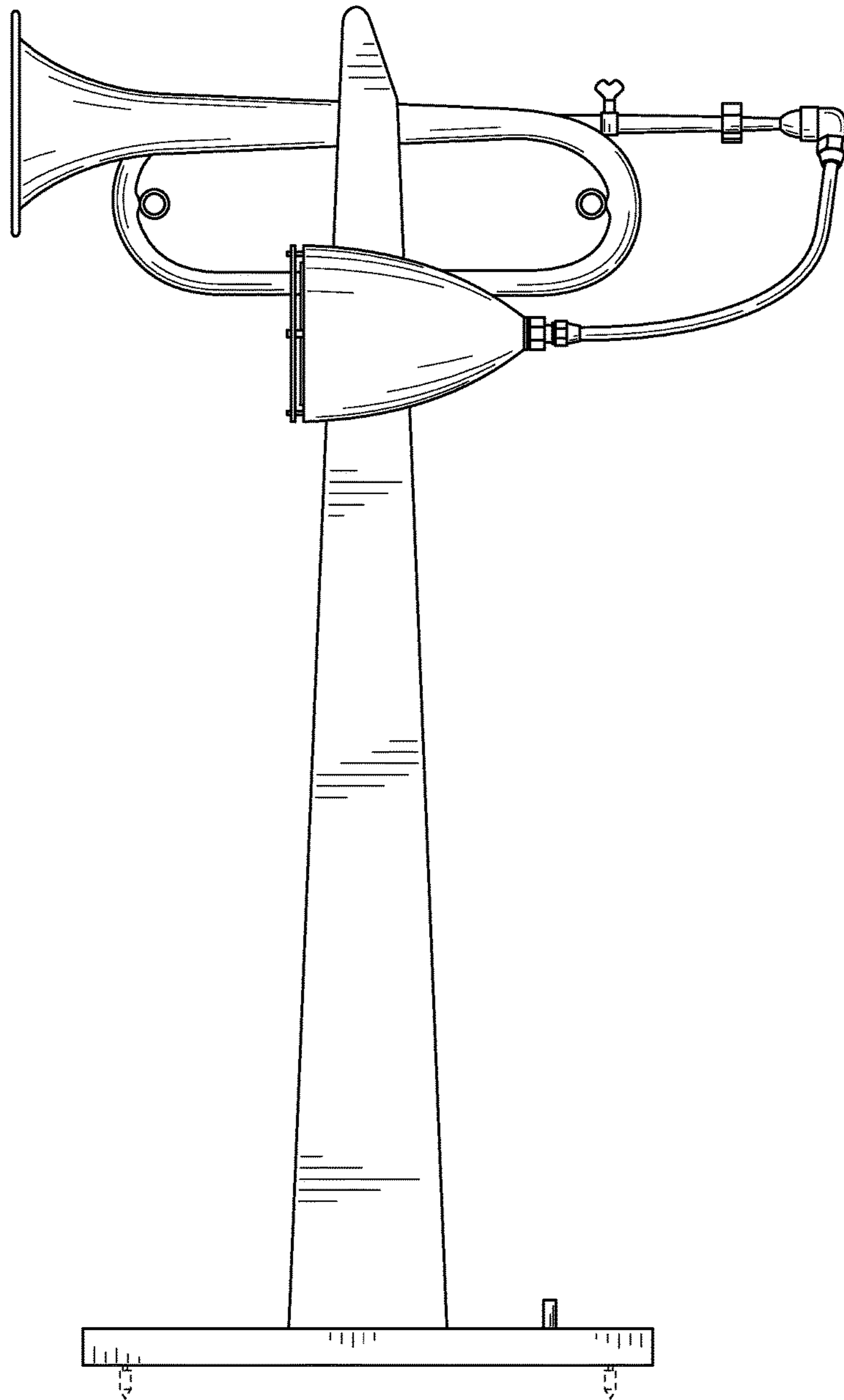


FIG. 5

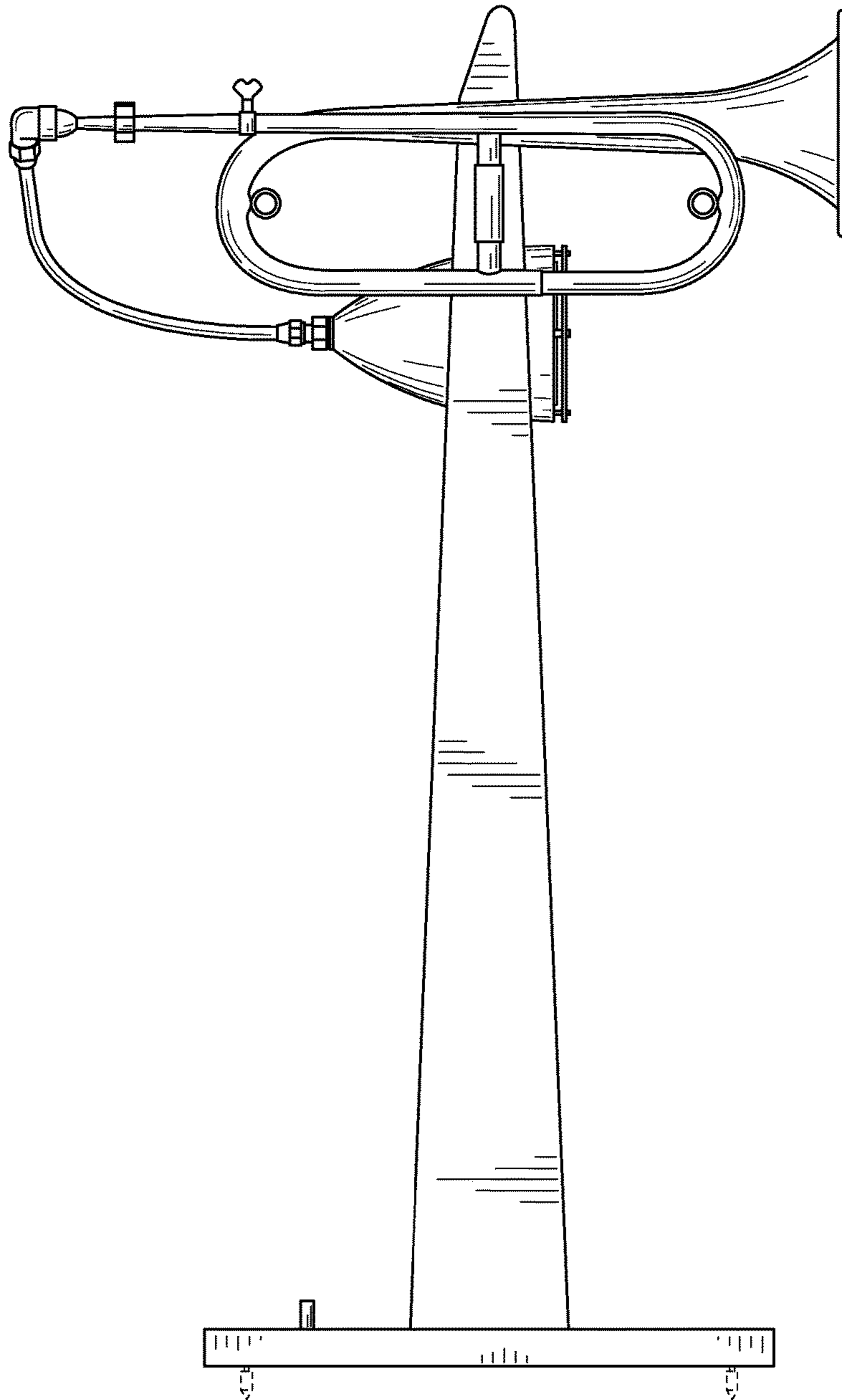


FIG. 6

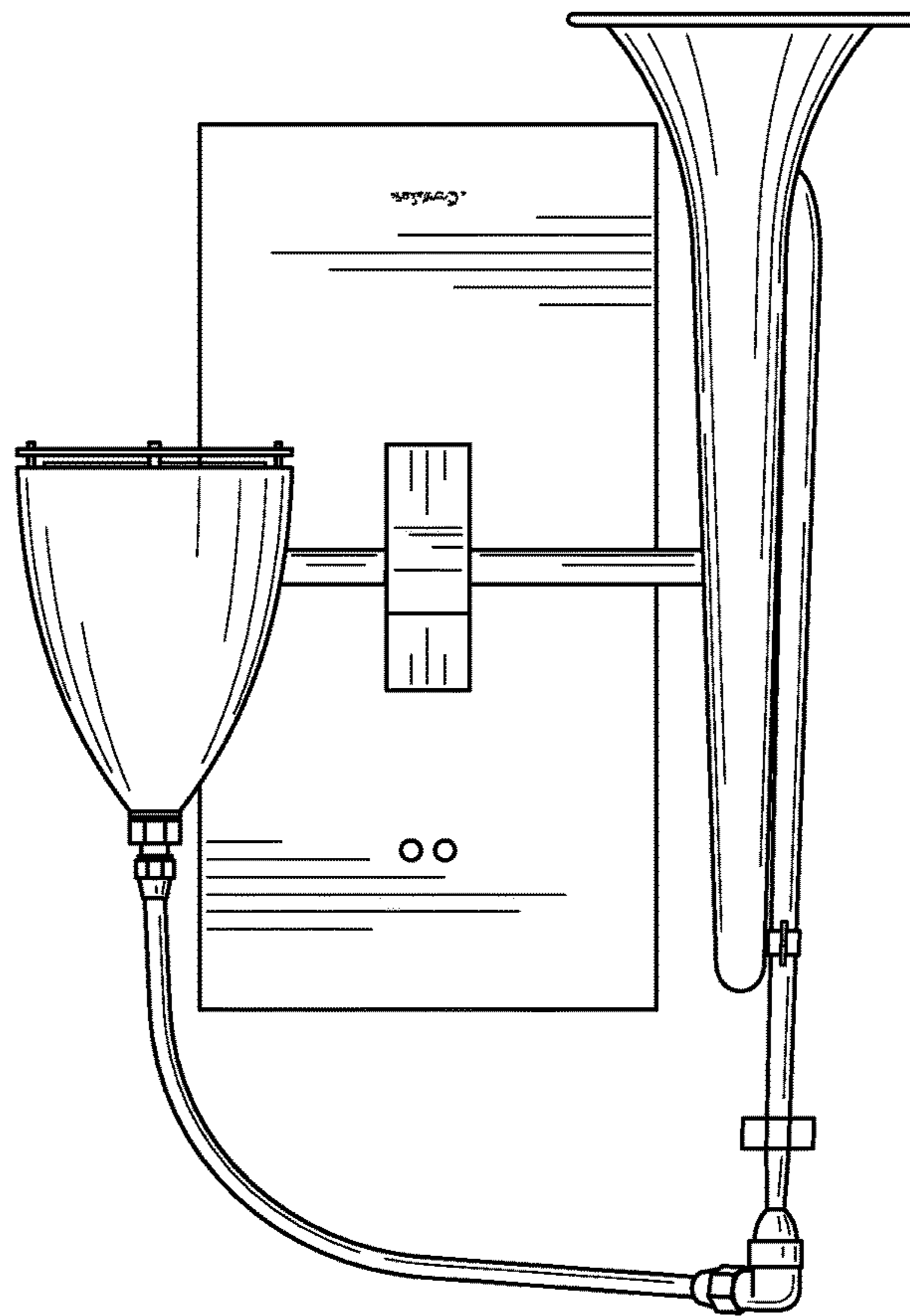


FIG. 7

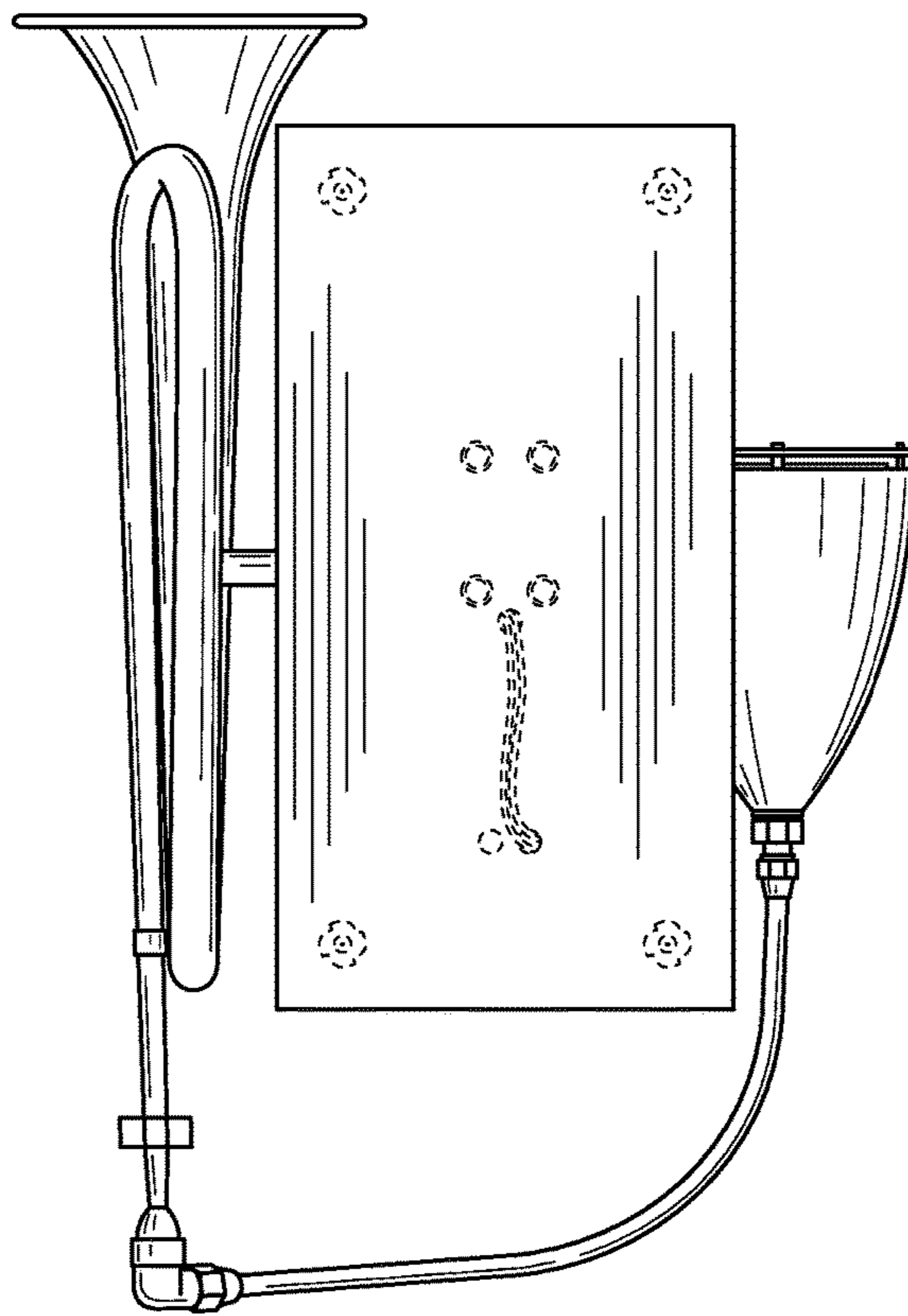


FIG. 8