



US00D835175S

(12) **United States Design Patent**  
**Kim et al.**

(10) **Patent No.: US D835,175 S**  
(45) **Date of Patent: \*\* Dec. 4, 2018**

(54) **CAMERA GIMBAL**

(71) Applicant: **SZ DJI TECHNOLOGY CO., LTD.**,  
Shenzhen (CN)

(72) Inventors: **Min Kim**, Shenzhen (CN); **Peng Bin**,  
Shenzhen (CN); **Tian-Hang Ma**,  
Shenzhen (CN)

(73) Assignee: **SZ DJI TECHNOLOGY CO., LTD.**,  
Shenzhen (CN)

(\*\*) Term: **15 Years**

(21) Appl. No.: **29/600,661**

(22) Filed: **Apr. 13, 2017**

(51) **LOC (11) Cl. .... 16-05**

(52) **U.S. Cl.**  
USPC ..... **D16/237**

(58) **Field of Classification Search**  
USPC ..... D16/208, 213–219, 235–250; D14/217,  
D14/229, 250–253; D8/363, 373, 394  
CPC ..... G03B 17/02–17/04; G03B 17/14; G03B  
17/56; G03B 17/561–17/568; G03B  
21/20; G02B 7/00–7/002; F16M 11/02;  
F16M 11/04; F16M 11/20; F16M 11/40  
See application file for complete search history.

(56) **References Cited**

**U.S. PATENT DOCUMENTS**

3,752,983 A \* 8/1973 Yanez ..... G03B 17/48  
250/214 LA

5,852,519 A \* 12/1998 Do ..... G02B 7/00  
359/822

D559,883 S \* 1/2008 Nakamura ..... D16/218

D694,802 S \* 12/2013 Coyle ..... D16/237

D709,119 S \* 7/2014 Kim ..... D16/219

D715,349 S \* 10/2014 Boerup ..... D16/237

D732,601 S \* 6/2015 Coyle ..... D16/237

D785,073 S \* 4/2017 Wang ..... D16/242

D790,000 S \* 6/2017 Wang ..... D16/200

2008/0210025 A1\* 9/2008 Goossen ..... F16M 11/041  
74/5.34

2016/0150134 A1\* 5/2016 Katoh ..... G01C 21/18  
348/373

2017/0078538 A1\* 3/2017 Zhu ..... H04N 5/232  
(Continued)

**OTHER PUBLICATIONS**

DJI Mavic Air Teardown Camera and Gimbal. Online, published date Feb. 13, 2018. Retrieved on Mar. 28, 2018 from URL: <https://dronedj.com/2018/02/13/the-mavic-air-a-look-inside-the-latest-dji-drone/dji-mavic-air-teardown-camera-and-gimbal/>.\*

*Primary Examiner* — Karen S Acker  
*Assistant Examiner* — Omeed Agilee  
(74) *Attorney, Agent, or Firm* — ScienBiziP, P.C.

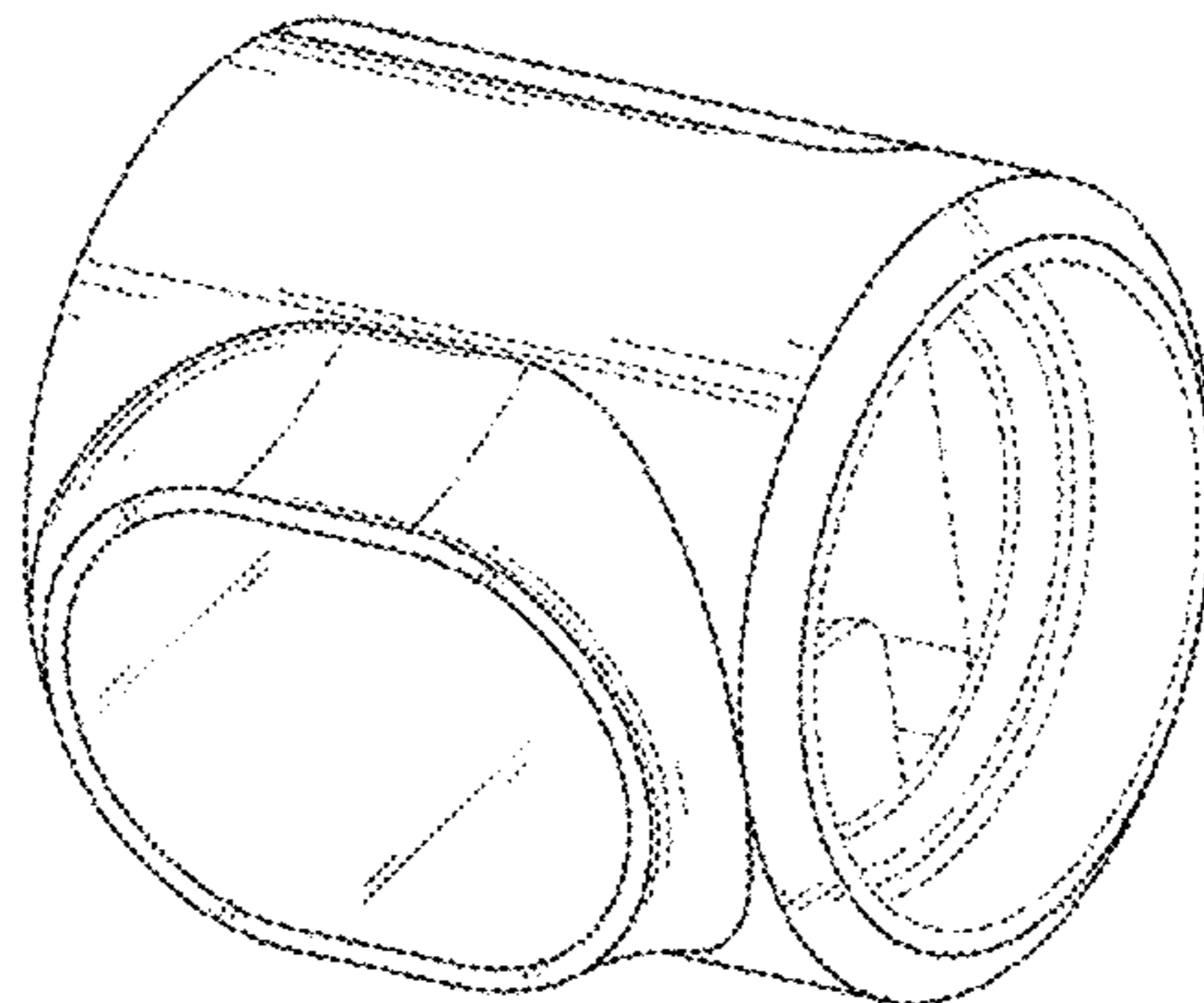
(57) **CLAIM**

The ornamental design for a camera gimbal, as shown and described.

**DESCRIPTION**

FIG. 1 is a top front perspective view of a camera gimbal showing our new design;  
FIG. 2 is a bottom rear perspective view of a camera gimbal showing our new design;  
FIG. 3 is a front elevational view of the camera gimbal of FIG. 1;  
FIG. 4 is a rear elevational view of the camera gimbal of FIG. 1;  
FIG. 5 is a left side elevational view of the camera gimbal of FIG. 1;  
FIG. 6 is a right side elevational view of the camera gimbal of FIG. 1;  
FIG. 7 is a top plan view of the camera gimbal of FIG. 1; and,  
FIG. 8 is a bottom plan view of the camera gimbal of FIG. 1.

(Continued)



The broken lines and all the areas within the solid line perimeter shown in FIGS. 1, 2, 5, and 6 depict portions of the camera gimbal that form no part of the claimed design.

**1 Claim, 8 Drawing Sheets**

(56)

**References Cited**

U.S. PATENT DOCUMENTS

2017/0108168	A1*	4/2017	Pan .....	F16M 11/04
2017/0174362	A1*	6/2017	Zhao .....	F16M 11/041
2017/0336700	A1*	11/2017	Liu .....	G03B 17/561
2018/0003340	A1*	1/2018	Tian .....	F16M 13/022

\* cited by examiner

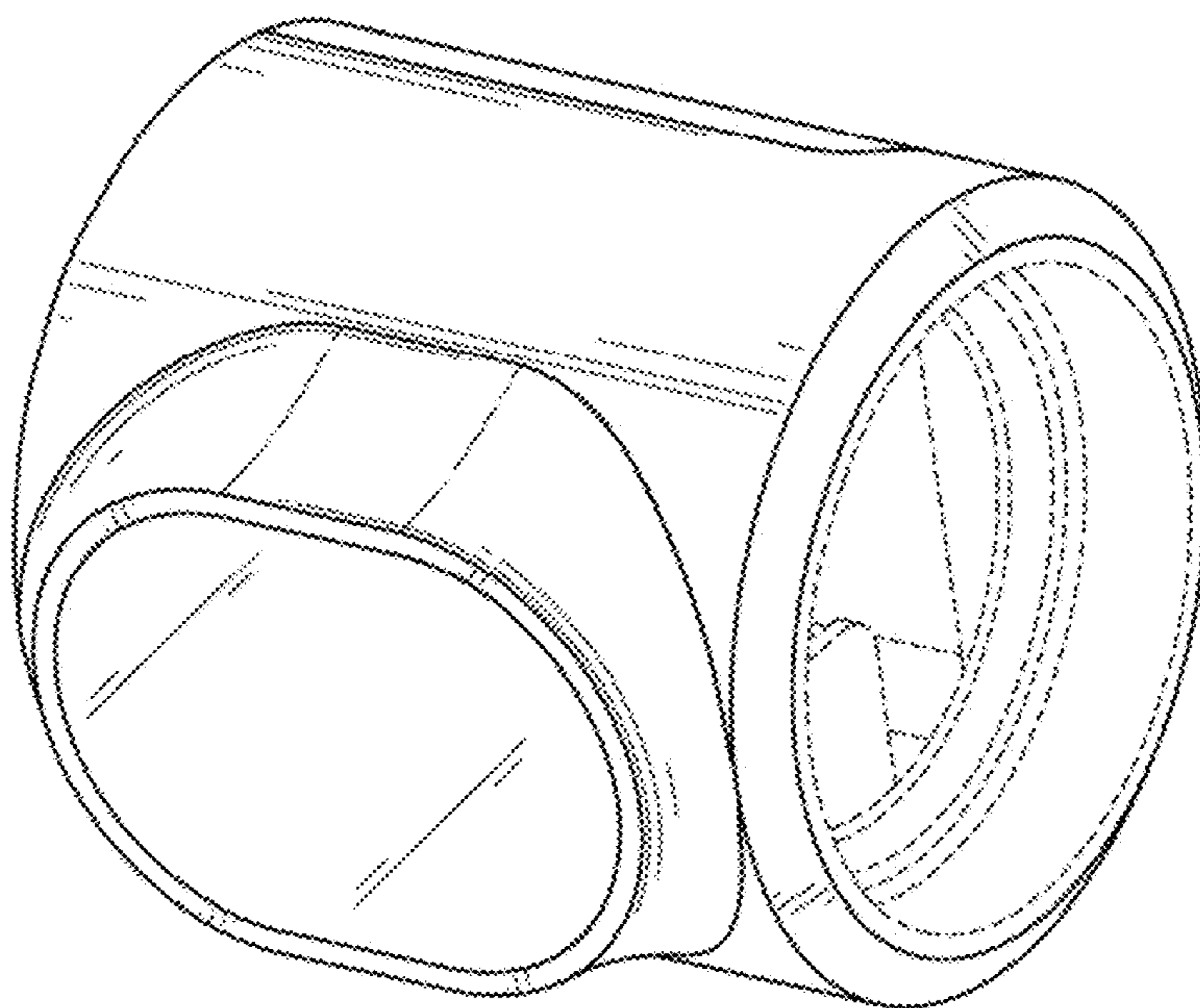


FIG. 1

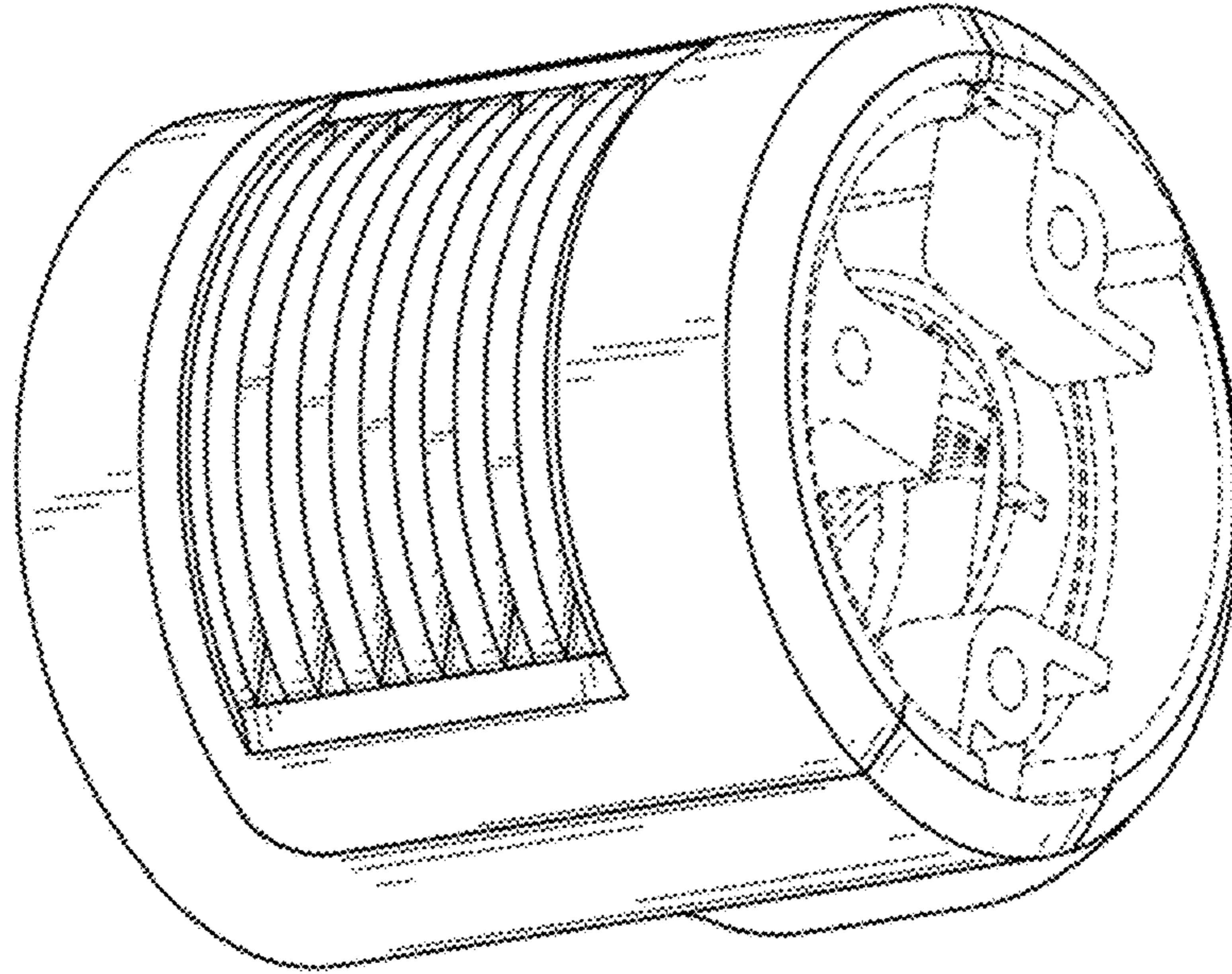


FIG. 2

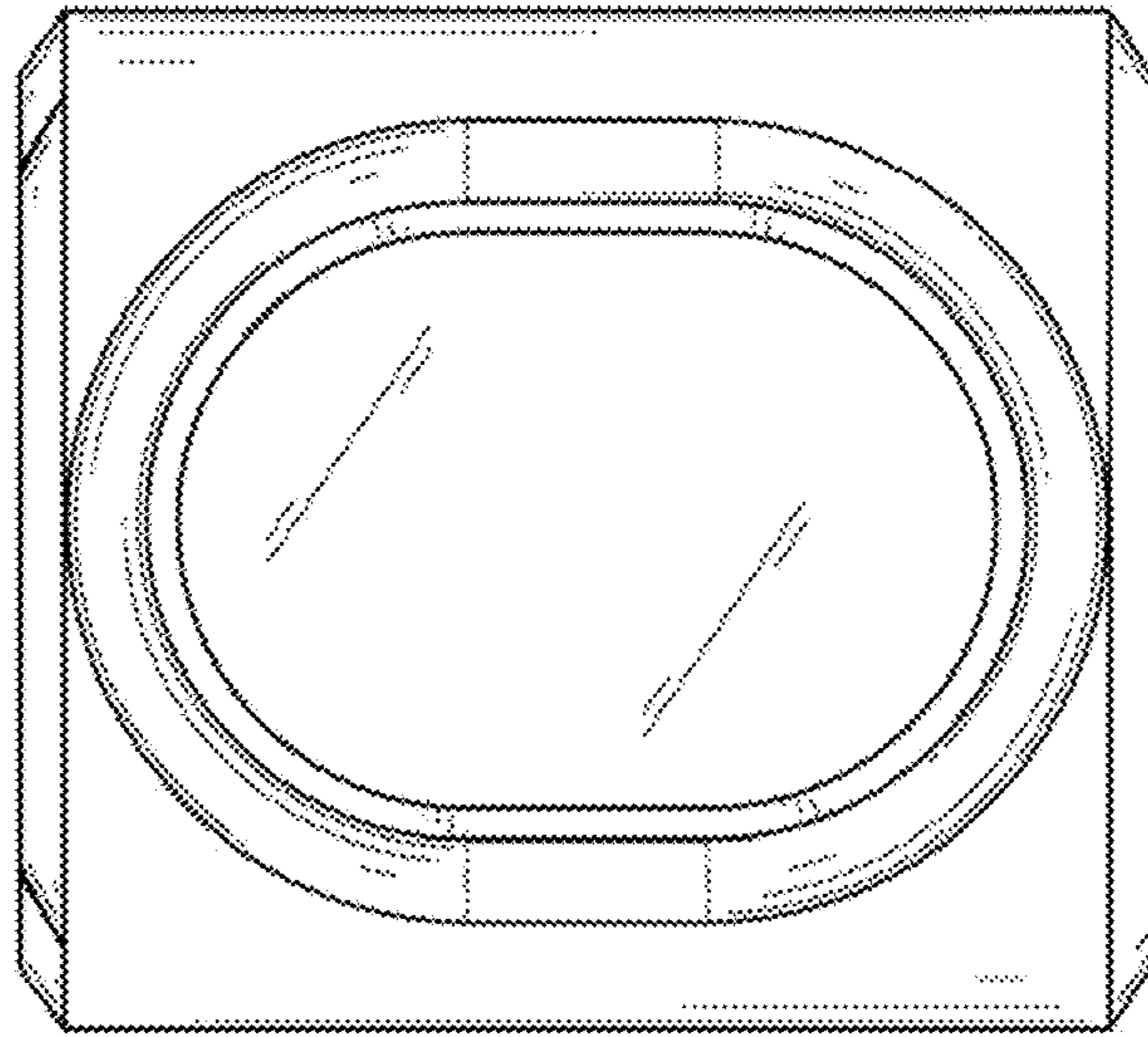


FIG. 3

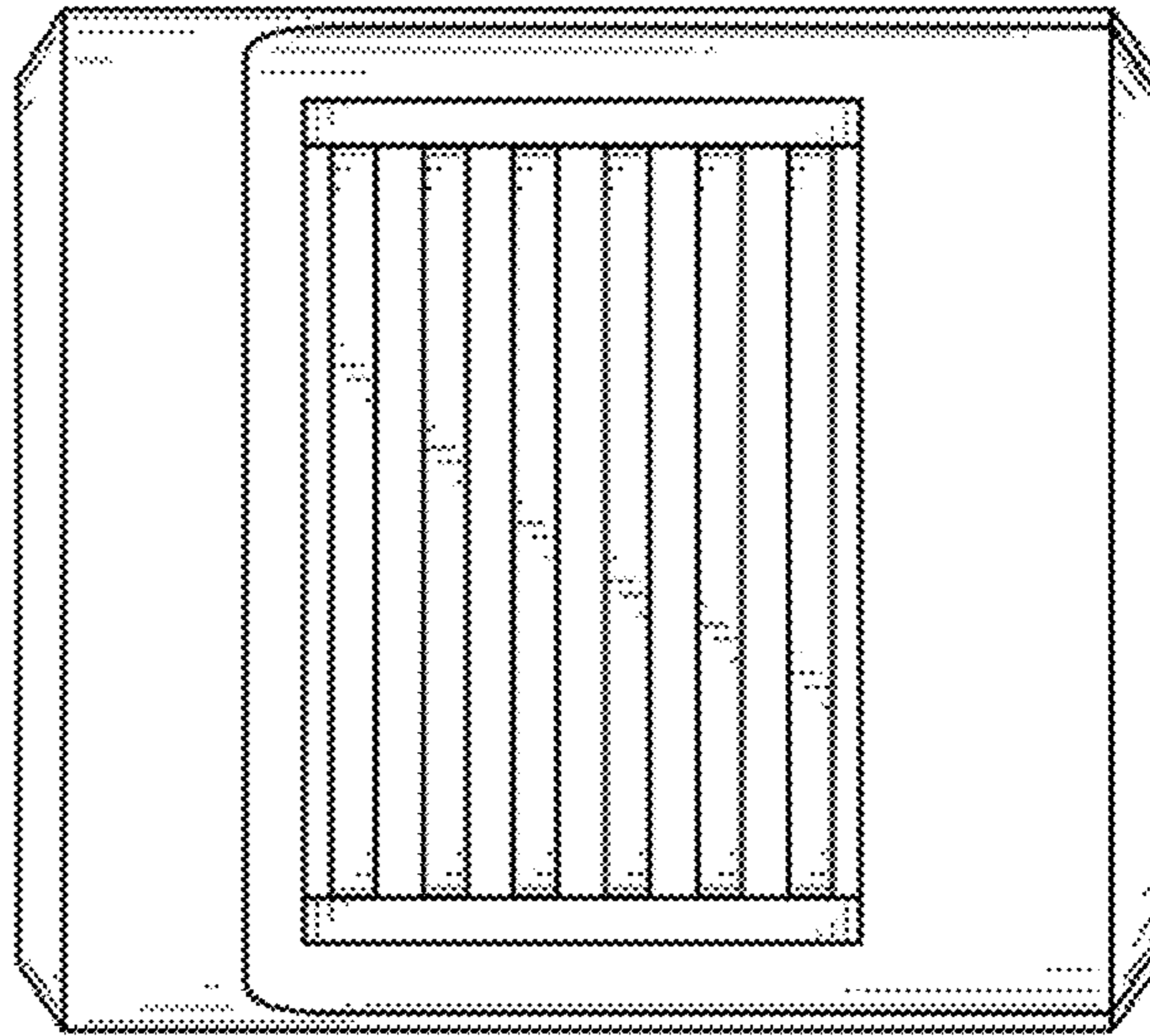


FIG. 4

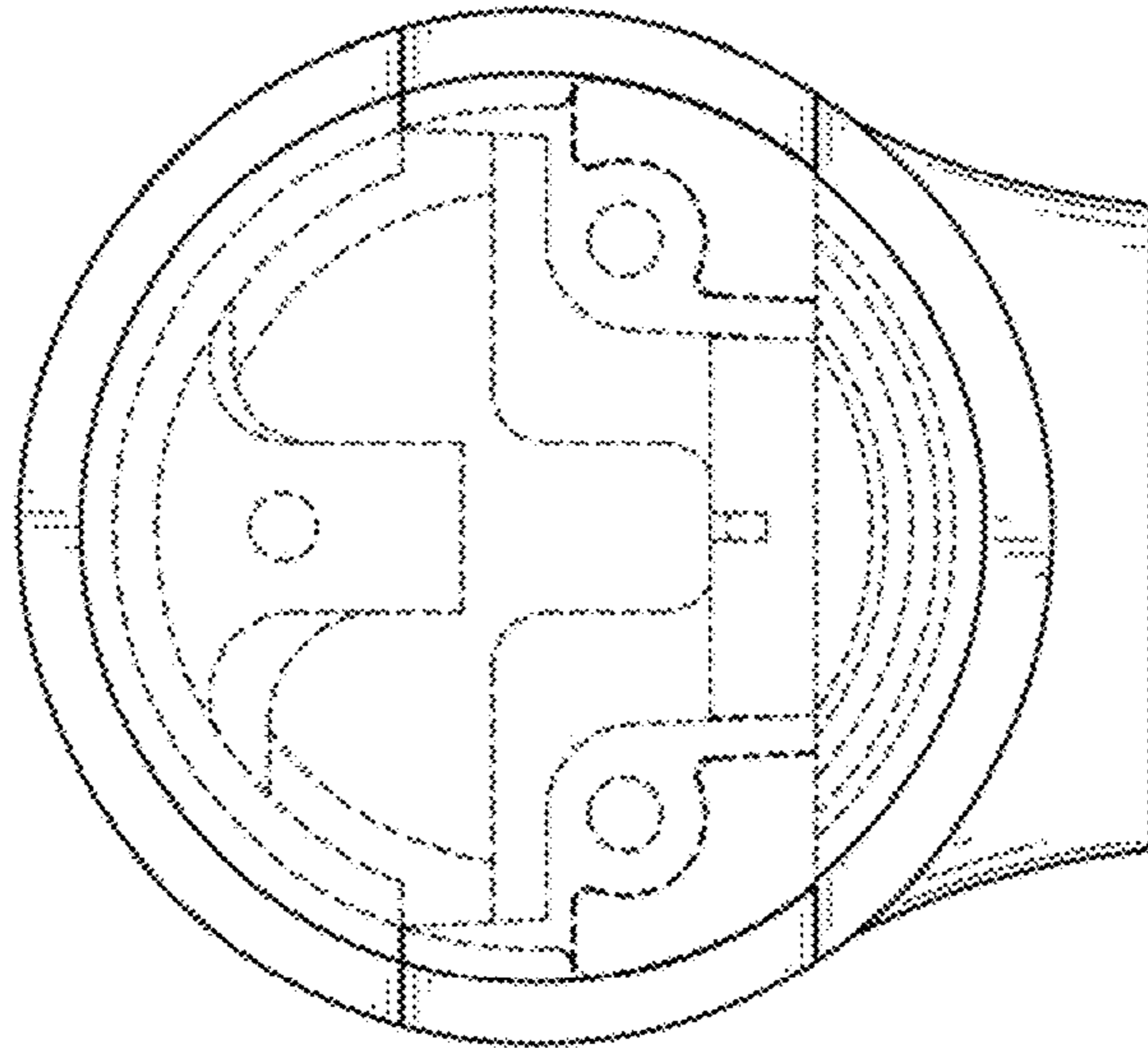


FIG. 5

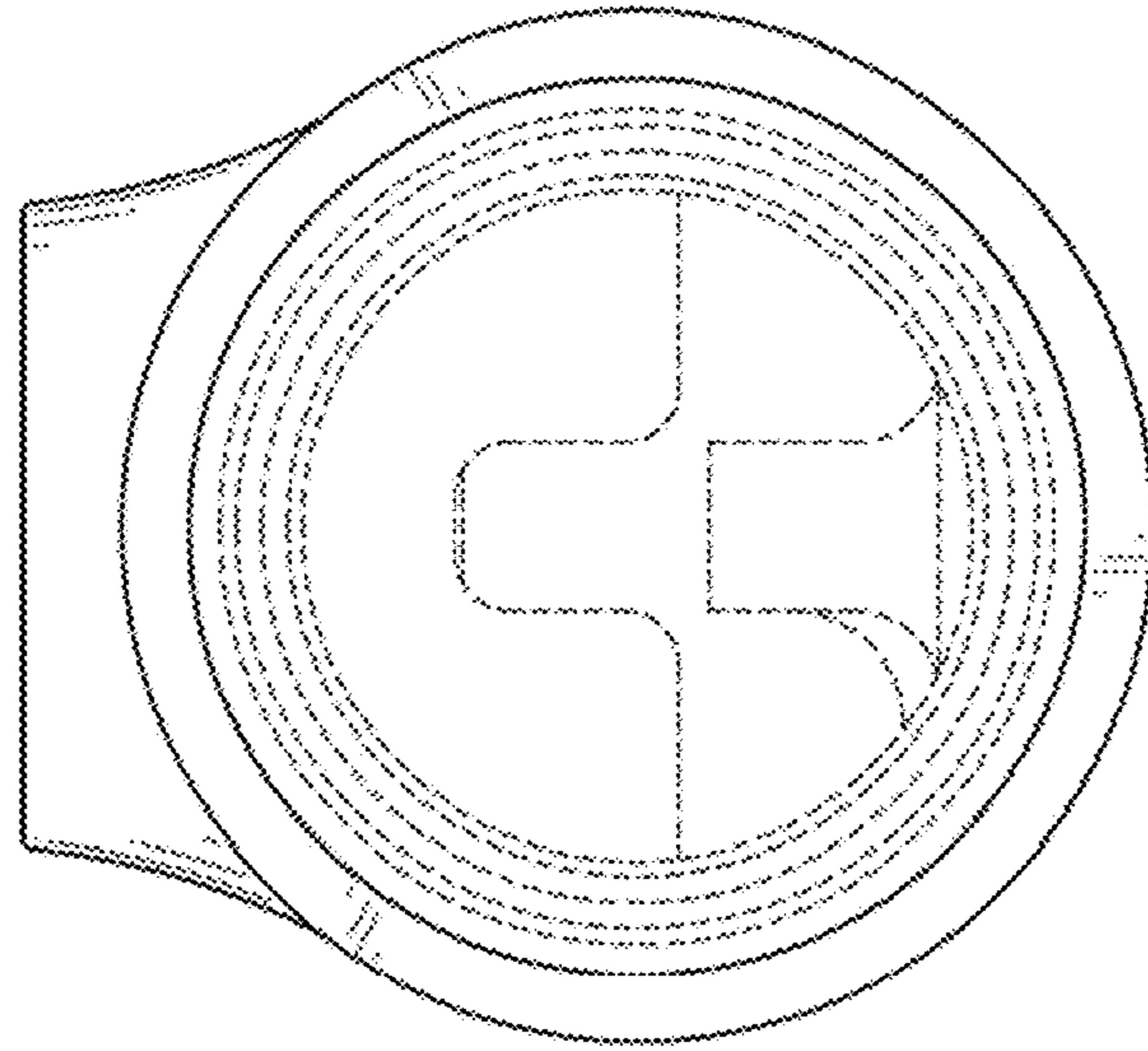


FIG. 6



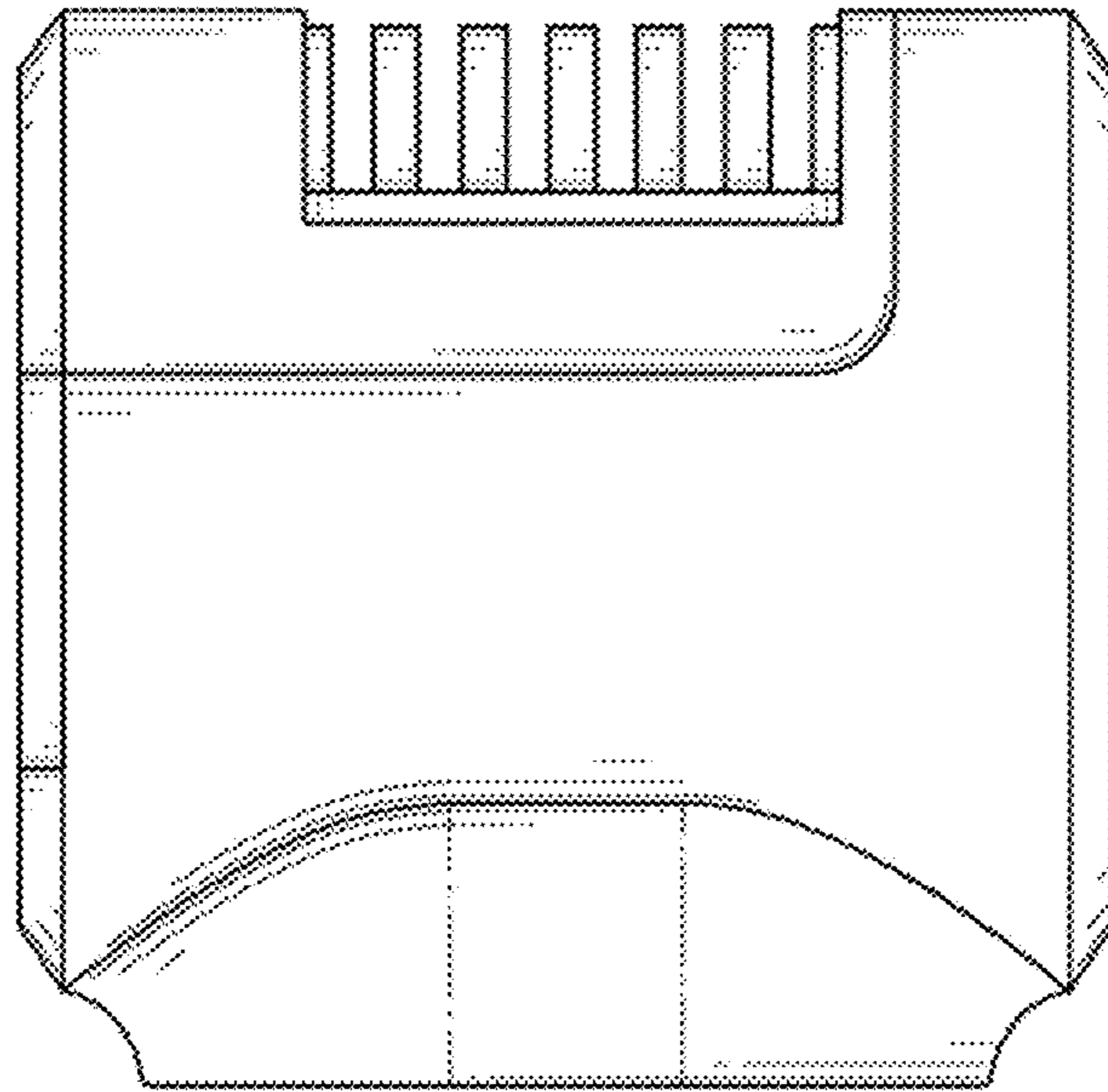


FIG. 7

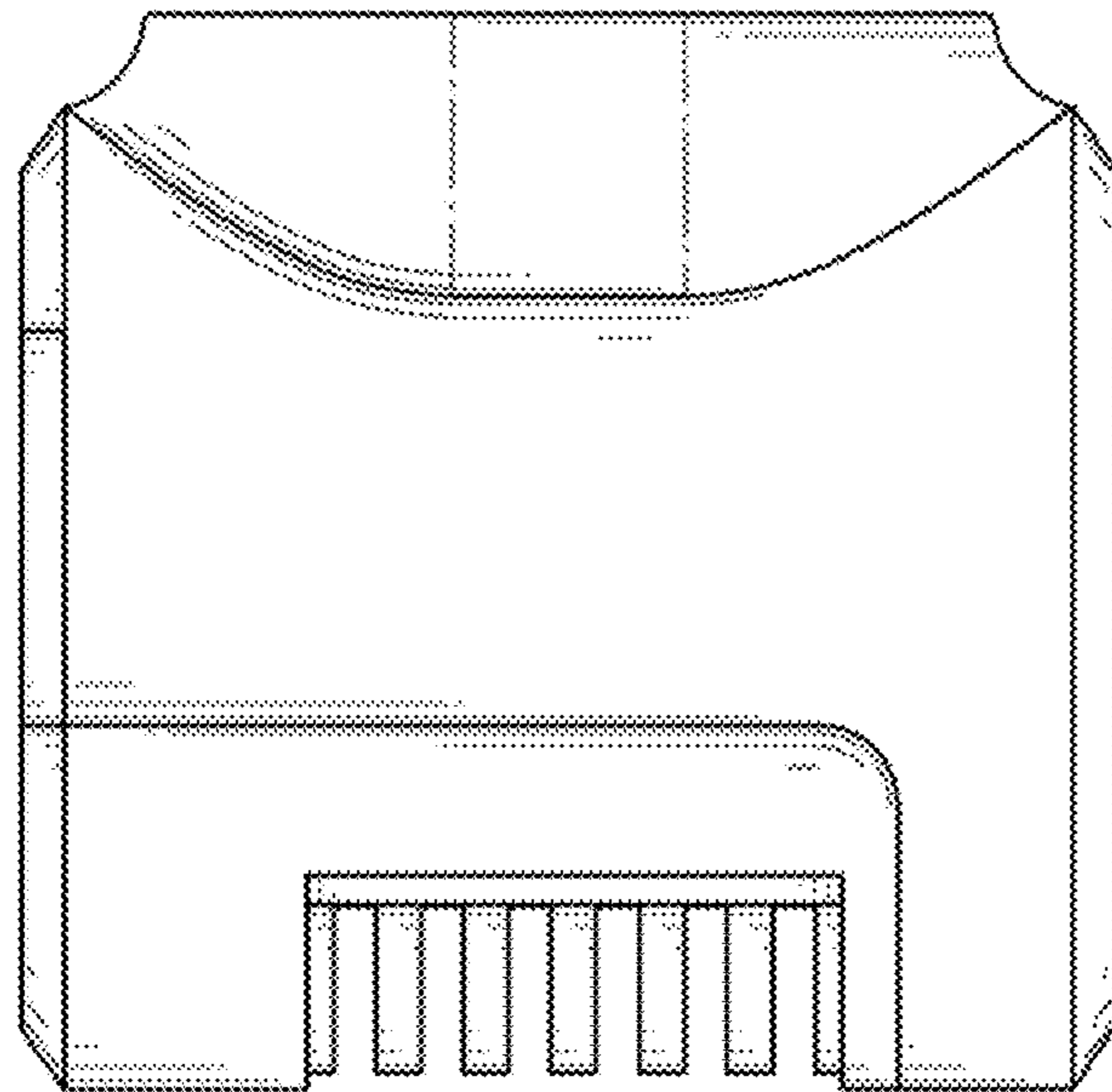


FIG. 8