

US00D835174S

(12) **United States Design Patent** (10) **Patent No.:** **US D835,174 S**  
**Lee et al.** (45) **Date of Patent:** **\*\* Dec. 4, 2018**

(54) **SLIDE PROJECTOR**

(71) Applicant: **LG ELECTRONICS INC.**, Seoul (KR)

(72) Inventors: **Eunbong Lee**, Seoul (KR); **Gangho Woo**, Seoul (KR)

(73) Assignee: **LG ELECTRONICS INC.**, Seoul (KR)

(\*\*) Term: **15 Years**

(21) Appl. No.: **35/503,882**

(22) Filed: **Apr. 21, 2017**

(80) **Hague Agreement Data**

Int. Filing Date: **Apr. 21, 2017**

Int. Reg. No.: **DM/097084**

Int. Reg. Date: **Apr. 21, 2017**

Int. Reg. Pub. Date: **Oct. 27, 2017**

(30) **Foreign Application Priority Data**

Apr. 6, 2017 (KR) ..... 30-2017-0016086

(51) **LOC (11) Cl.** ..... **16-02**

(52) **U.S. Cl.**

USPC ..... **D16/230**

CPC ..... **G03B 21/00** (2013.01)

(58) **Field of Classification Search**

USPC ..... D16/221-236; D21/514

CPC .... G03B 21/00; G03B 21/001; G03B 21/003; G03B 21/14; G03B 21/142; G03B 21/145; G03B 21/12; G03B 21/16

See application file for complete search history.

(56) **References Cited**

**U.S. PATENT DOCUMENTS**

3,394,478 A \* 7/1968 Rube ..... G03B 23/044 353/51

D250,199 S \* 11/1978 Mankau ..... D16/233

D317,446 S *	6/1991	Vossoughi .....	D14/374
D320,403 S *	10/1991	Flasck .....	D14/132
D323,324 S *	1/1992	Suda .....	D14/125
D343,184 S *	1/1994	Kahn .....	D16/236
D350,147 S *	8/1994	Ina .....	D16/221
D355,206 S *	2/1995	Zavracky .....	D16/235
D442,983 S *	5/2001	Goto .....	D16/225
D480,409 S *	10/2003	Wang .....	D16/225
D516,603 S *	3/2006	Yeh .....	D16/225
D517,108 S *	3/2006	Chang .....	D16/225
D523,058 S *	6/2006	On .....	D16/230
D531,654 S *	11/2006	Lin .....	D16/230
D545,865 S *	7/2007	Azuma .....	D16/221
D555,696 S *	11/2007	Naruki .....	D16/225
D600,735 S *	9/2009	Chigira .....	D16/225
D615,575 S *	5/2010	Inoue .....	D16/225
D653,691 S *	2/2012	Takeda .....	D16/230
D663,759 S *	7/2012	Cho .....	D16/230
D670,322 S *	11/2012	Lee .....	D16/230
D687,084 S *	7/2013	Lim .....	D16/225
D691,189 S *	10/2013	Zhao .....	D16/225
D699,280 S *	2/2014	Lim .....	D16/241

(Continued)

Primary Examiner — Richard E Chilcot

(74) Attorney, Agent, or Firm — Birch, Stewart, Kolasch & Birch, LLP

(57) **CLAIM**

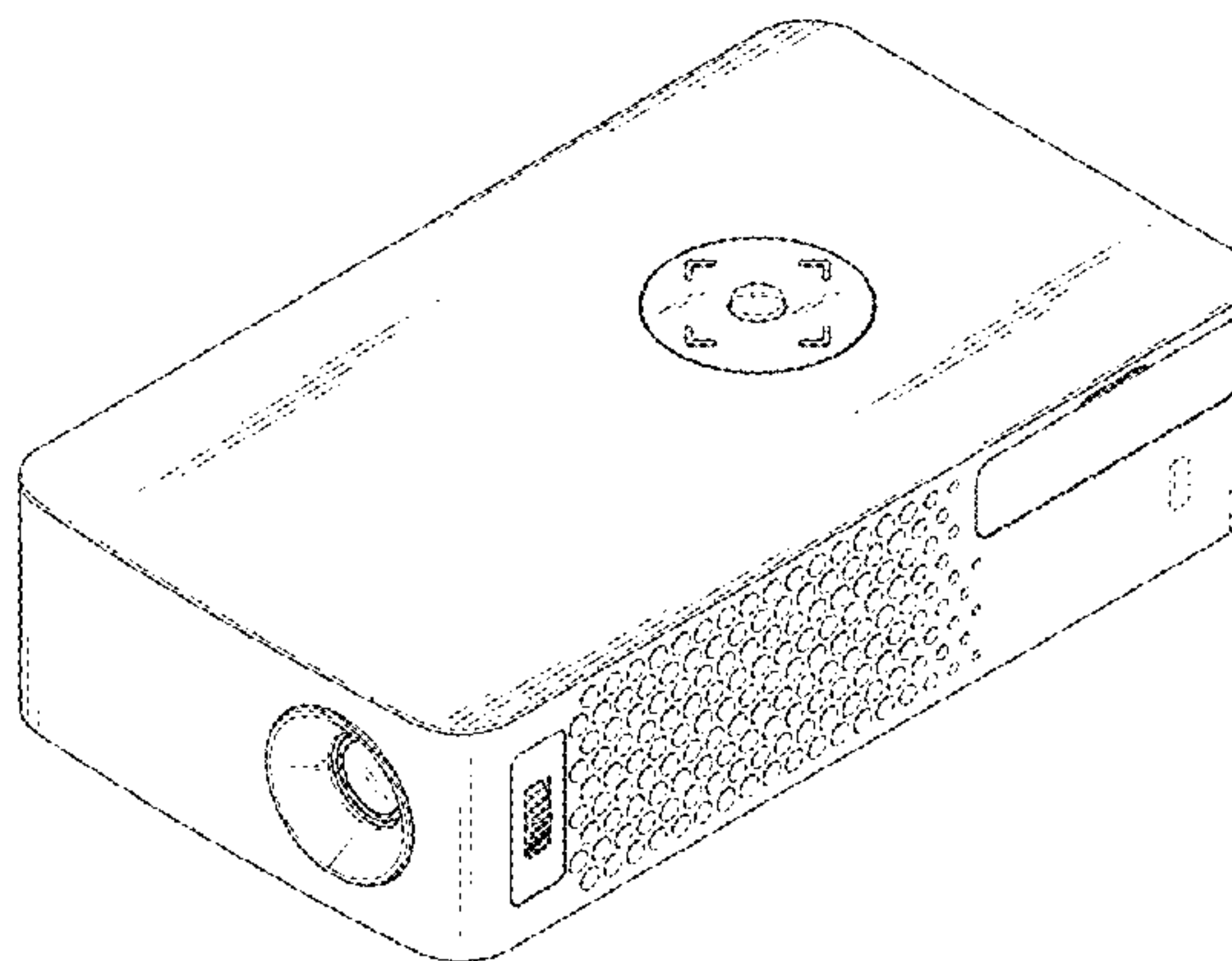
The ornamental design for a slide projector, as shown and described.

**DESCRIPTION**

- 1. Slide projector
- 1.1 : Perspective
- 1.2 : Front
- 1.3 : Back
- 1.4 : Left
- 1.5 : Right
- 1.6 : Top
- 1.7 : Bottom
- 1.8 : Reference

The broken lines indicate unclaimed portions of the article that form no part of the claimed design.

**1 Claim, 8 Drawing Sheets**



(56)

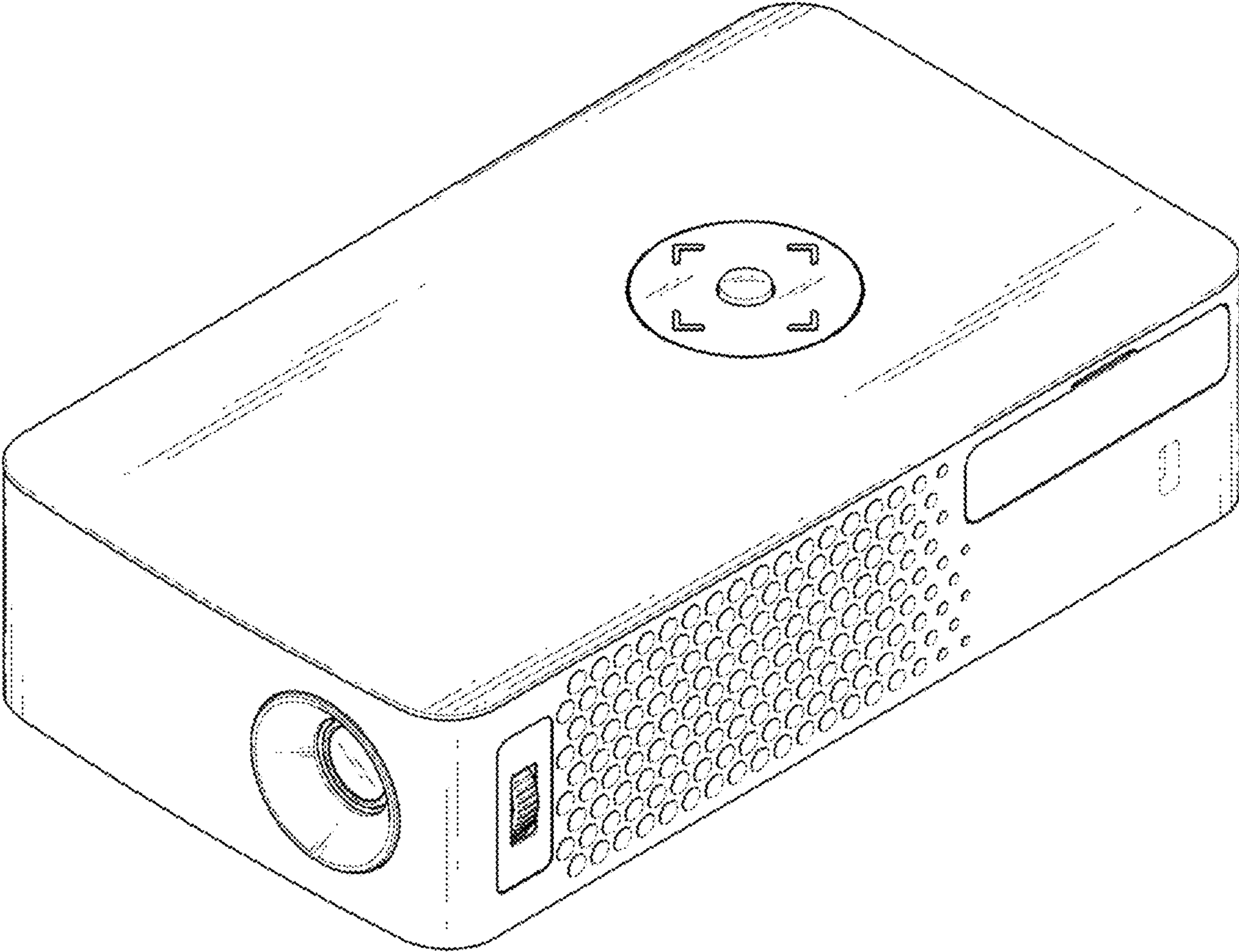
**References Cited**

U.S. PATENT DOCUMENTS

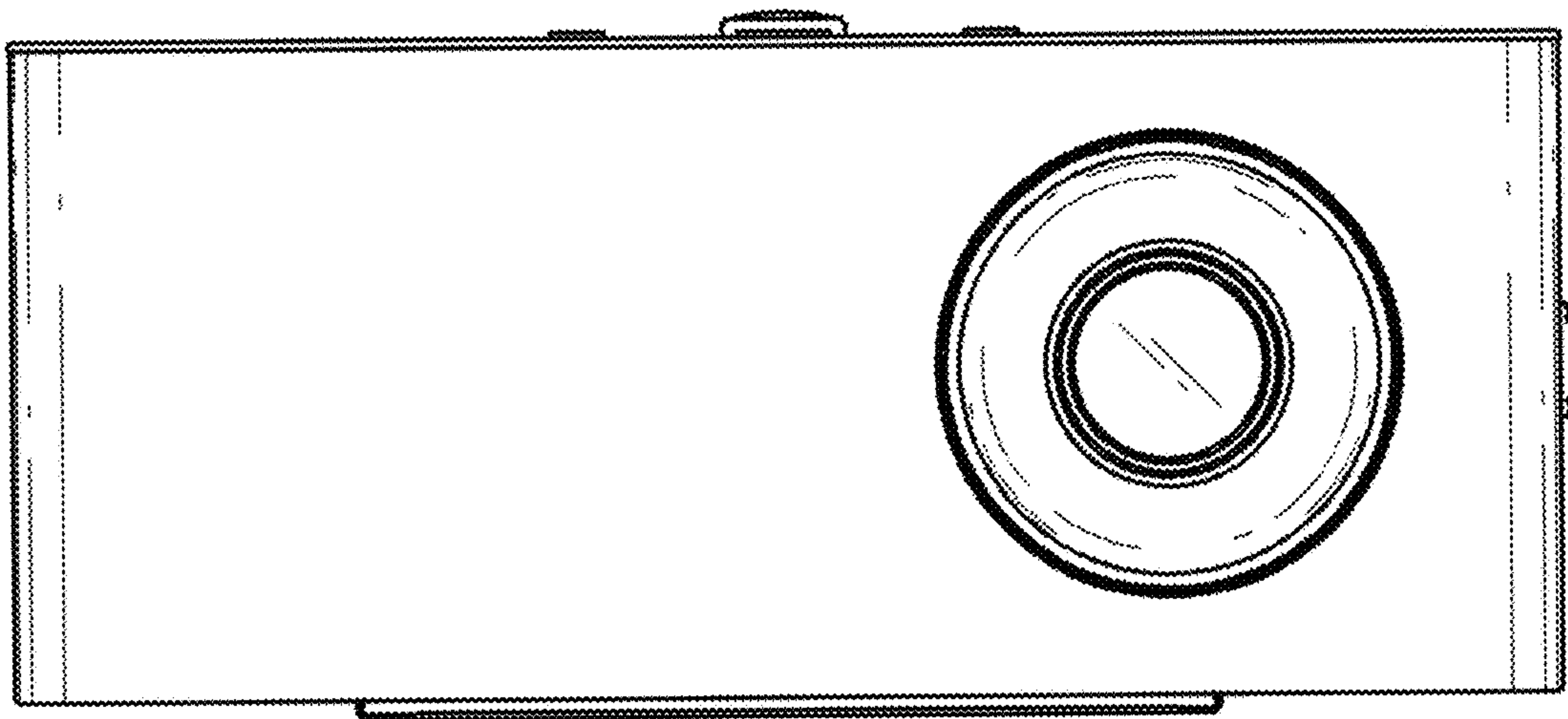
D704,242	S	*	5/2014	Seo	.....	D16/235
D717,358	S	*	11/2014	Go	.....	D16/230
D730,972	S	*	6/2015	Georges	.....	D16/230
D734,382	S	*	7/2015	Kim	.....	D16/230
D747,397	S	*	1/2016	Go	.....	D16/235
D752,676	S	*	3/2016	Cho	.....	D16/225
D755,275	S	*	5/2016	Lee	.....	D16/230
D755,276	S	*	5/2016	Lee	.....	D16/230
D762,256	S	*	7/2016	Han	.....	D16/225
D769,348	S	*	10/2016	Li	.....	D16/230
D769,349	S	*	10/2016	Seo	.....	D16/230
D769,958	S	*	10/2016	Seo	.....	D16/230
D770,554	S	*	11/2016	Han	.....	D16/225
D772,968	S	*	11/2016	Lee	.....	D16/225
D773,550	S	*	12/2016	Seo	.....	D16/235
D781,365	S	*	3/2017	Kim	.....	D16/225
D781,366	S	*	3/2017	Kim	.....	D16/225
D801,411	S	*	10/2017	Lee	.....	D16/230

\* cited by examiner

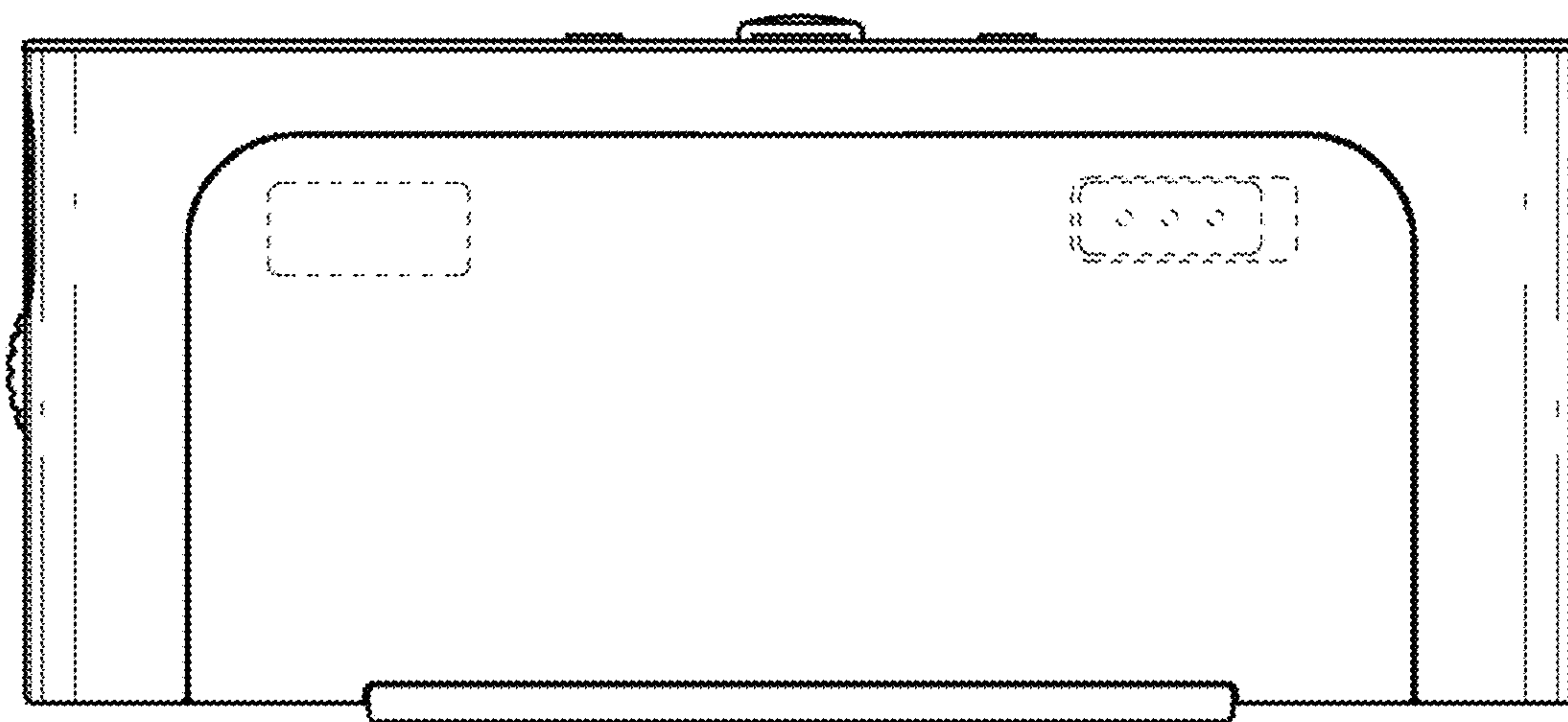
1.1



1.2

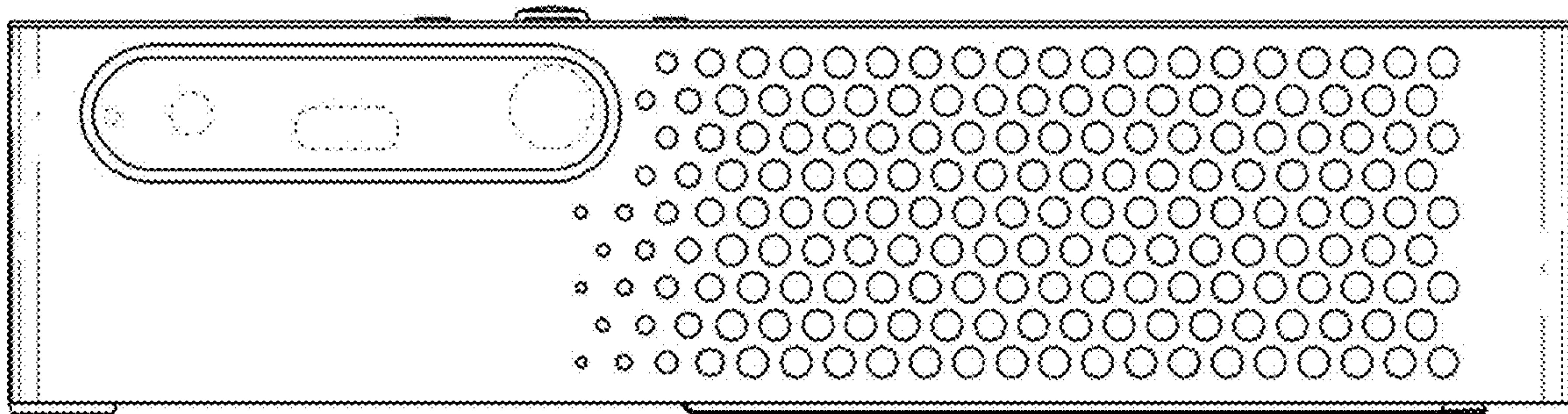


1.3

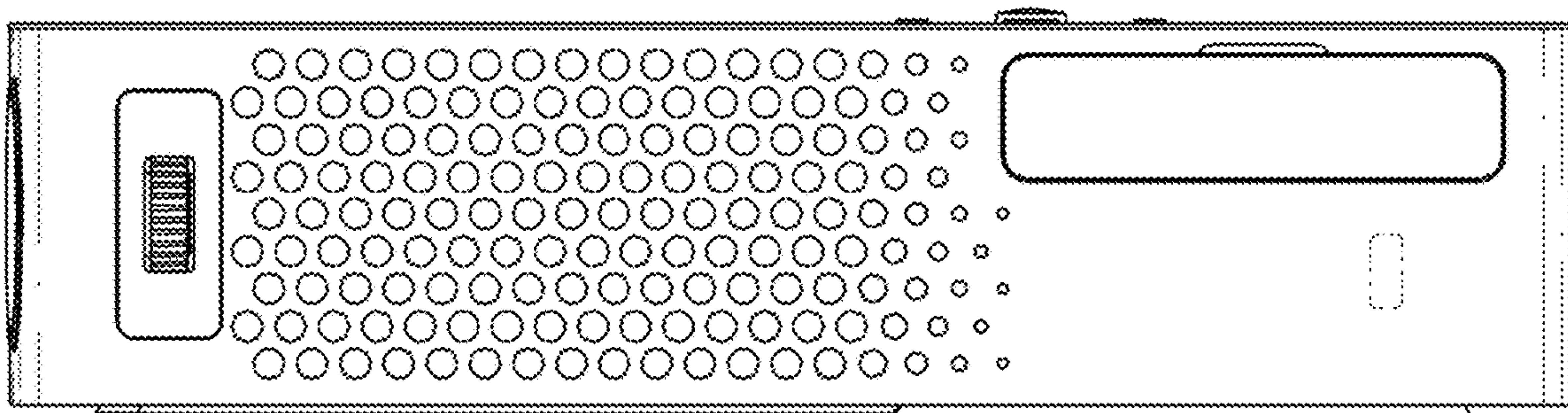




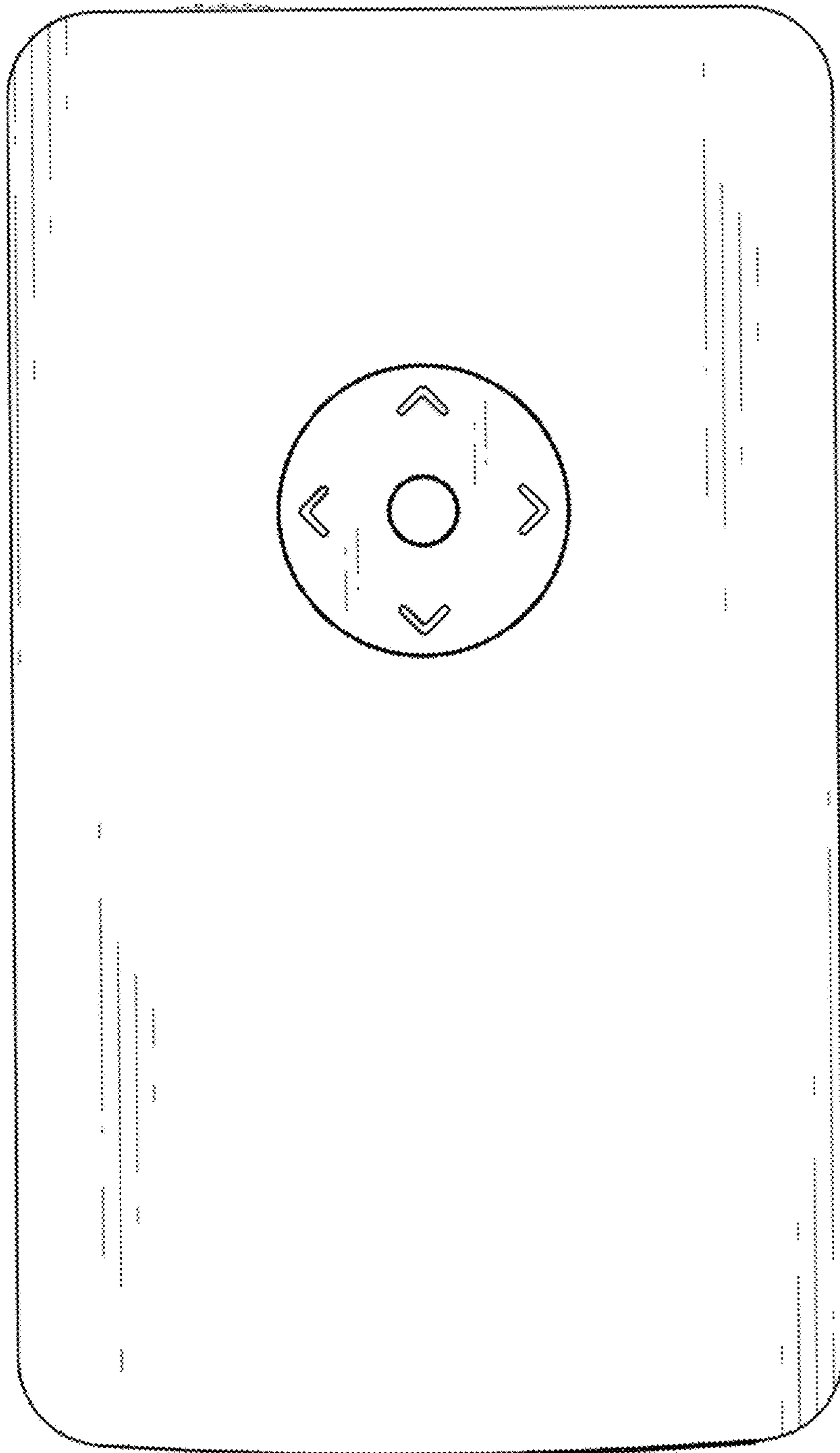
1.4



1.5

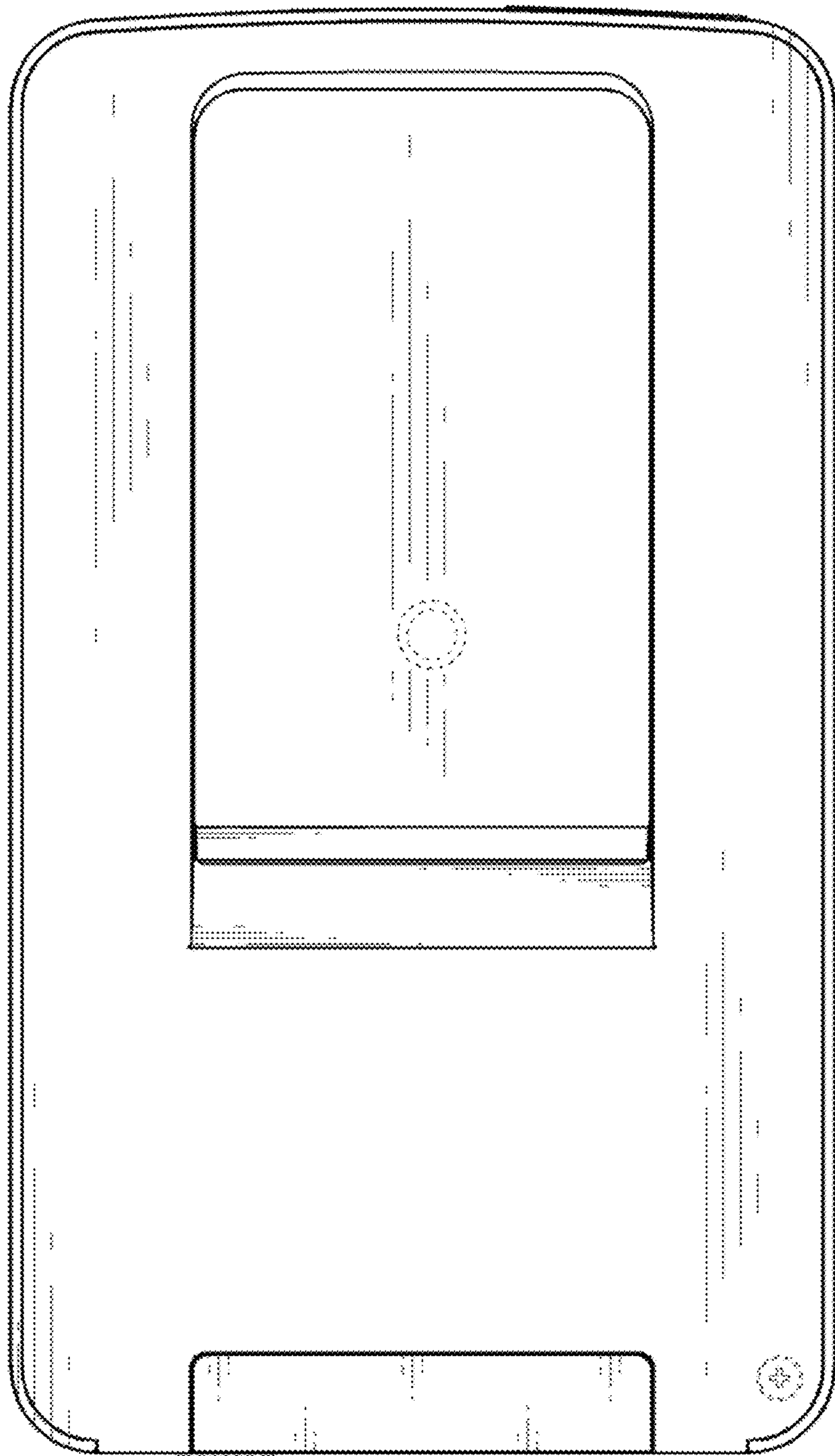


1.6





1.7



1.8

