



US00D835172S

(12) **United States Design Patent** (10) **Patent No.:** **US D835,172 S**
Fujita et al. (45) **Date of Patent:** **** Dec. 4, 2018**

(54) **DIGITAL CAMERA**
 (71) Applicant: **Nikon Corporation**, Tokyo (JP)
 (72) Inventors: **Chikara Fujita**, Tokyo (JP); **Hiroyuki Asano**, Tokyo (JP)
 (73) Assignee: **Nikon Corporation**, Tokyo (JP)

(**) Term: **15 Years**

(21) Appl. No.: **29/633,419**

(22) Filed: **Jan. 13, 2018**

Related U.S. Application Data

(63) Continuation of application No. 29/569,142, filed on Jun. 23, 2016.

(30) **Foreign Application Priority Data**

Dec. 25, 2015 (JP) 2015-029004
 Dec. 25, 2015 (JP) 2015-029005
 Dec. 25, 2015 (JP) 2015-029006

(51) **LOC (11) Cl.** **16-05**

(52) **U.S. Cl.**
 USPC **D16/219**

(58) **Field of Classification Search**

USPC D16/200, 202–206, 208, 218, 219;
 D14/347, 353, 188, 192, 199, 204, 212,
 D14/214, 216; 348/373–376; 396/535,
 396/539–541
 CPC G03B 15/03; G03B 17/02; G03B 17/04;
 G03B 17/56; G03B 19/04; H04N 5/2251;
 H04N 5/2252; H04N 5/2253; H04N
 5/2254; H04N 2101/00

See application file for complete search history.

(56) **References Cited**

U.S. PATENT DOCUMENTS

D113,220 S 2/1939 Crumrine
 D441,386 S 5/2001 Yamazaki
 D480,741 S 10/2003 Berger et al.
 6,718,129 B1 6/2004 Cornell

(Continued)

FOREIGN PATENT DOCUMENTS

JP 1088744 10/2000
 JP 1088745 10/2000

(Continued)

OTHER PUBLICATIONS

U.S. Appl. No. 29/569,142, filed Jun. 23, 2016, Fujita et al.
 (Continued)

Primary Examiner — Philip S Hyder

Assistant Examiner — Ramzi S Almatrahi

(74) *Attorney, Agent, or Firm* — Wolf, Greenfield & Sacks, P.C.

(57) **CLAIM**

The ornamental design for a digital camera, as shown and described.

DESCRIPTION

FIG. 1 is a front, top and right side perspective view of a digital camera showing our new design;
 FIG. 2 is a rear, bottom and left side perspective view thereof;
 FIG. 3 is a front elevational view thereof;
 FIG. 4 is a rear elevational view thereof;
 FIG. 5 is a top plan view thereof;
 FIG. 6 is a bottom plan view thereof;

(Continued)

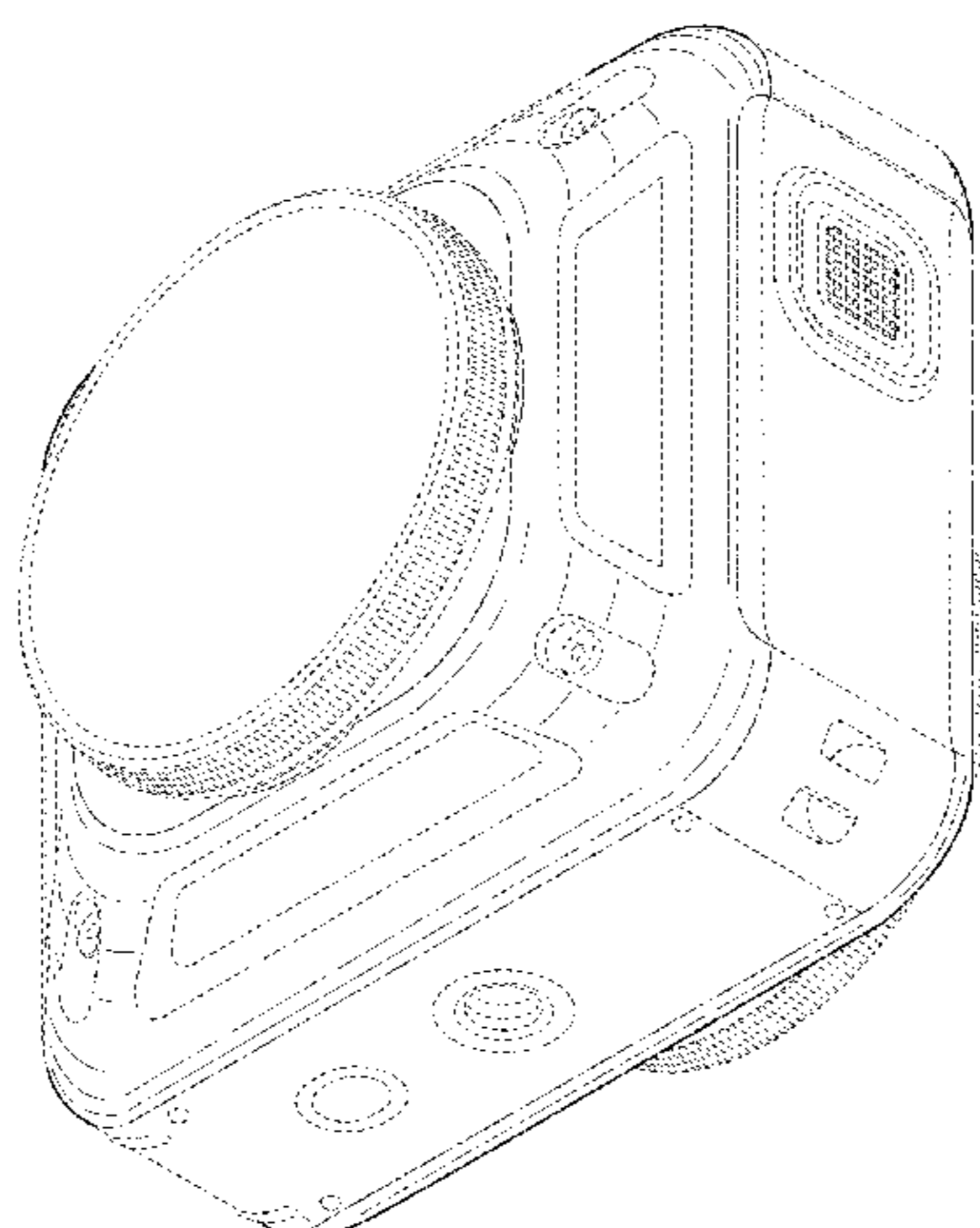
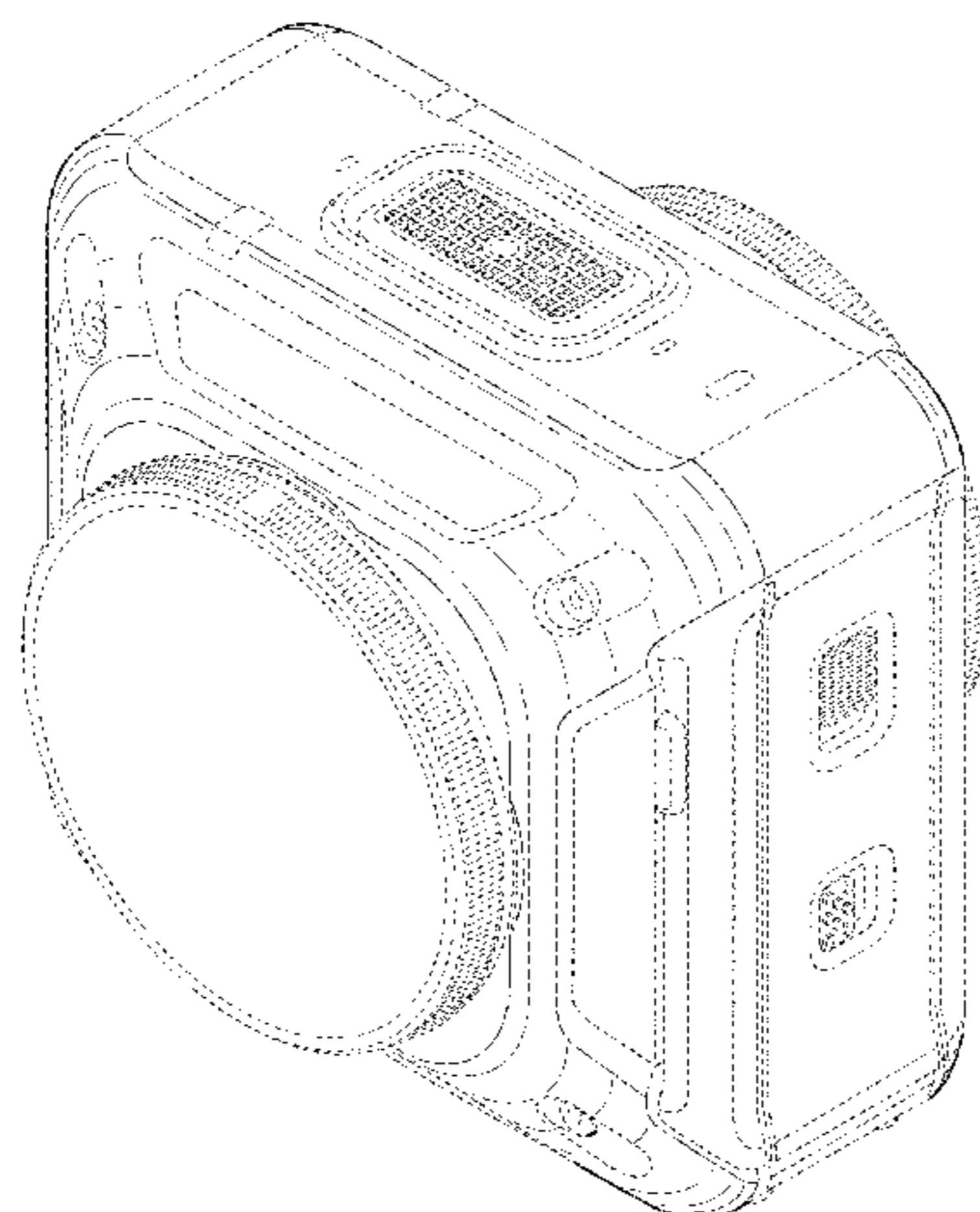


FIG. 7 is a right side elevational view thereof; and, FIG. 8 is a left side elevational view thereof. The broken lines illustrate portions of the digital camera and form no part of the claimed design. The dash dotted lines denote the boundaries of the claim and form no part of the claimed design.

1 Claim, 8 Drawing Sheets

(56)

References Cited

U.S. PATENT DOCUMENTS

6,788,887	B2	9/2004	Takeshita et al.	
D504,904	S	10/2005	Nagai	
D524,837	S	7/2006	Chen et al.	
D551,275	S	9/2007	Kim	
D594,047	S	6/2009	Lee	
D614,223	S	4/2010	Kim et al.	
D616,480	S	5/2010	Ookawa et al.	
D674,832	S	1/2013	Zhang	
D687,875	S	8/2013	Sasaki	
D721,395	S	1/2015	Woodman et al.	
D744,572	S	1/2015	Tabuchi	
D725,169	S	3/2015	Gioscia et al.	
D727,991	S *	4/2015	Hasegawa	D16/203
D733,784	S	7/2015	Yamashita	
D737,356	S	8/2015	Tabuchi	
D750,686	S	3/2016	Chen et al.	
9,282,226	B2	3/2016	Samuels et al.	
D754,767	S	4/2016	Sandy	
D754,768	S	4/2016	Patulski et al.	
D755,270	S	5/2016	Vehlewald et al.	
D755,874	S *	5/2016	Yang	D16/202
D756,436	S *	5/2016	Ku	D16/200
D758,467	S *	6/2016	Zhang	D16/202
D760,309	S	6/2016	Parfitt et al.	
D769,346	S	10/2016	Nguyen et al.	
D773,546	S	12/2016	Nguyen et al.	
D776,741	S *	1/2017	Parfitt	D16/204

D777,232	S	1/2017	Lillquist et al.	
D789,435	S	6/2017	Nguyen et al.	
D791,211	S	7/2017	Fujita et al.	
D791,848	S *	7/2017	Zhu	D16/200
D794,696	S *	8/2017	Nguyen	D16/218
D800,202	S *	10/2017	Hu	D16/218
D803,925	S	11/2017	Hoshi et al.	
D804,560	S *	12/2017	Costa	D16/200
D805,117	S *	12/2017	Nguyen	D16/218
D806,775	S	1/2018	Nguyen et al.	
D808,163	S *	1/2018	Song	D3/269
2011/0216195	A1 *	9/2011	Tanaka	H04N 5/2253 348/148

FOREIGN PATENT DOCUMENTS

JP	1088746	10/2000
JP	1480863	7/2013
JP	1496295	12/2014

OTHER PUBLICATIONS

U.S. Appl. No. 29/569,139, Feb. 28, 2017, Notice of Allowance.
Office Action for U.S. Appl. No. 29/610,813, dated Jan. 11, 2018.
Notice of Allowance for U.S. Appl. No. 29/569,139, dated Feb. 28, 2017.
[No Author Listed] Hands-On With Bublcam's Spherical Video Camera. Posted Aug. 26, 2014. AOL Inc. Accessed online: <http://techcrunch.com/2014/08/26/hands-on-with-bublcams-spherical-video-camera>. Last accessed: Jun. 14, 2016, pp. 1-6.
[No Author Listed] Exclusive sales of Kodak brand camera in Japan—Release of '360-degree action camera'. Posted Oct. 23, 2014. Maspro Denkoh Corp. Accessed online: http://www.maspro.co.jp/new_prod/sp360/index.html. Last accessed: Jun. 14, 2016, pp. 1-5.
[No Author Listed] New release super-wide angle video camera, QBIC MS-1 of ELMO CO., LTD. Posted Feb. 12, 2014. AOL Online Japan, Ltd. Accessed online: <http://japanese.engadget.com/2014/02/12/qbic-ms-1>. Last accessed: Jun. 14, 2016, pp. 1-7.

* cited by examiner

FIG. 1

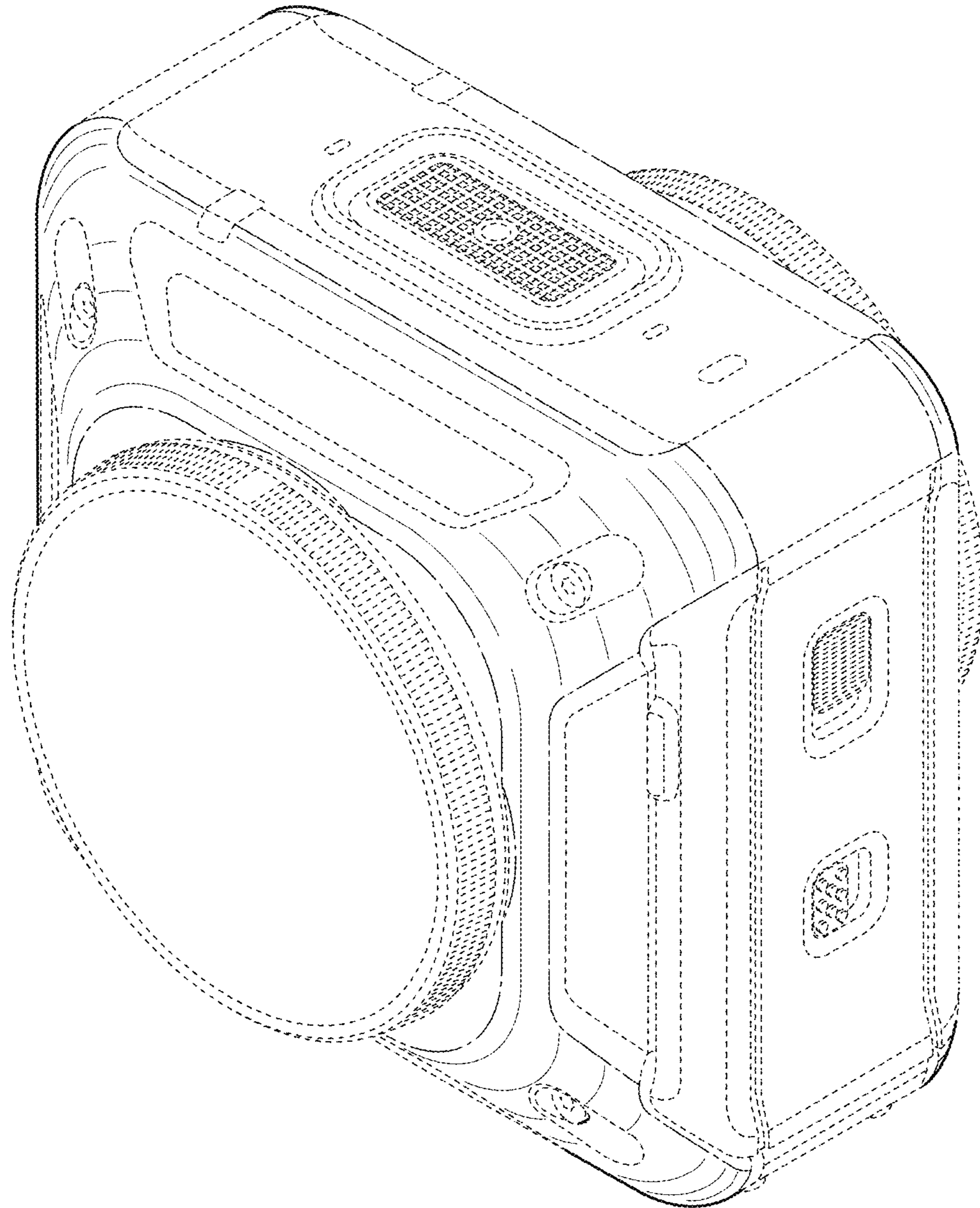


FIG. 2

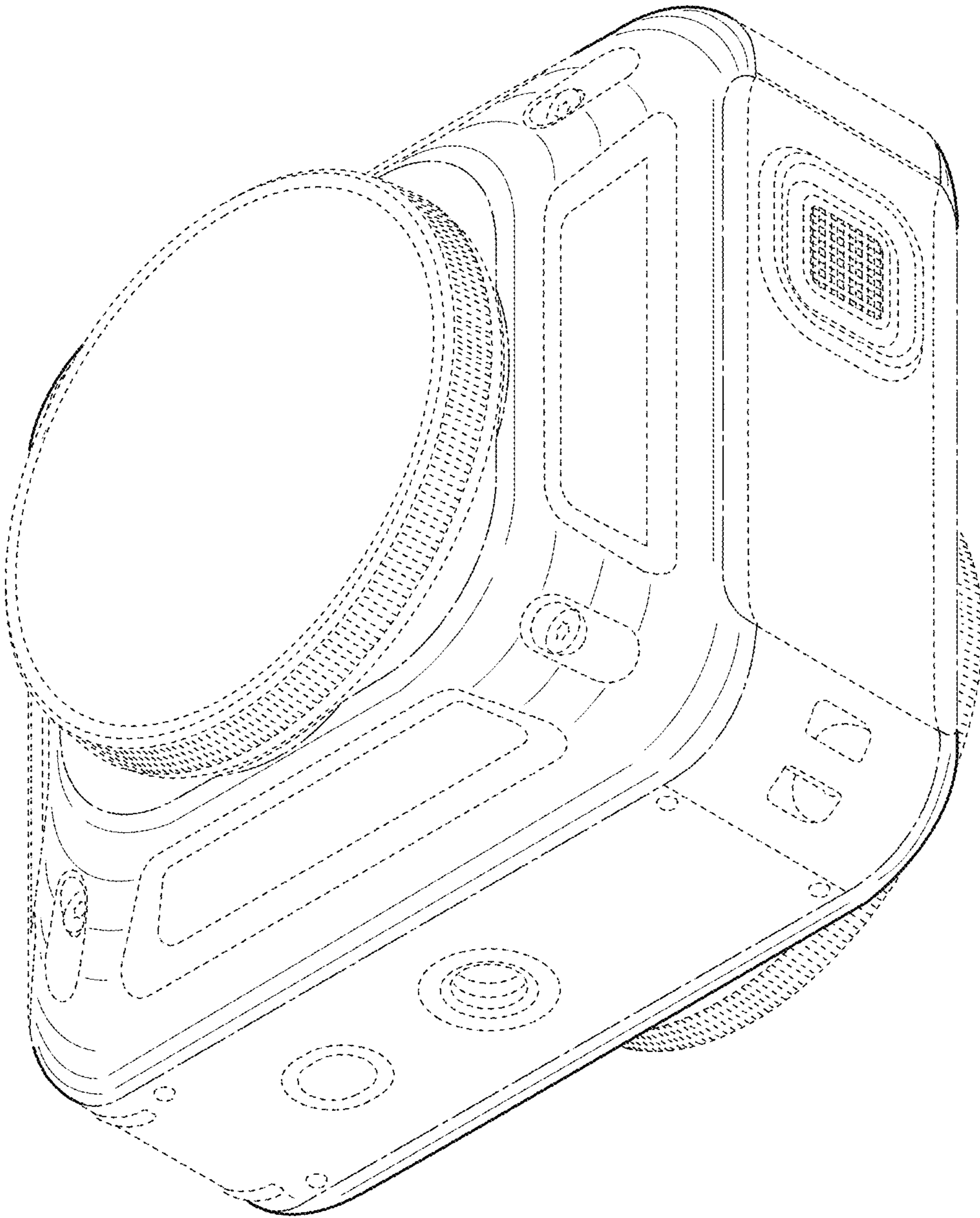


FIG. 3

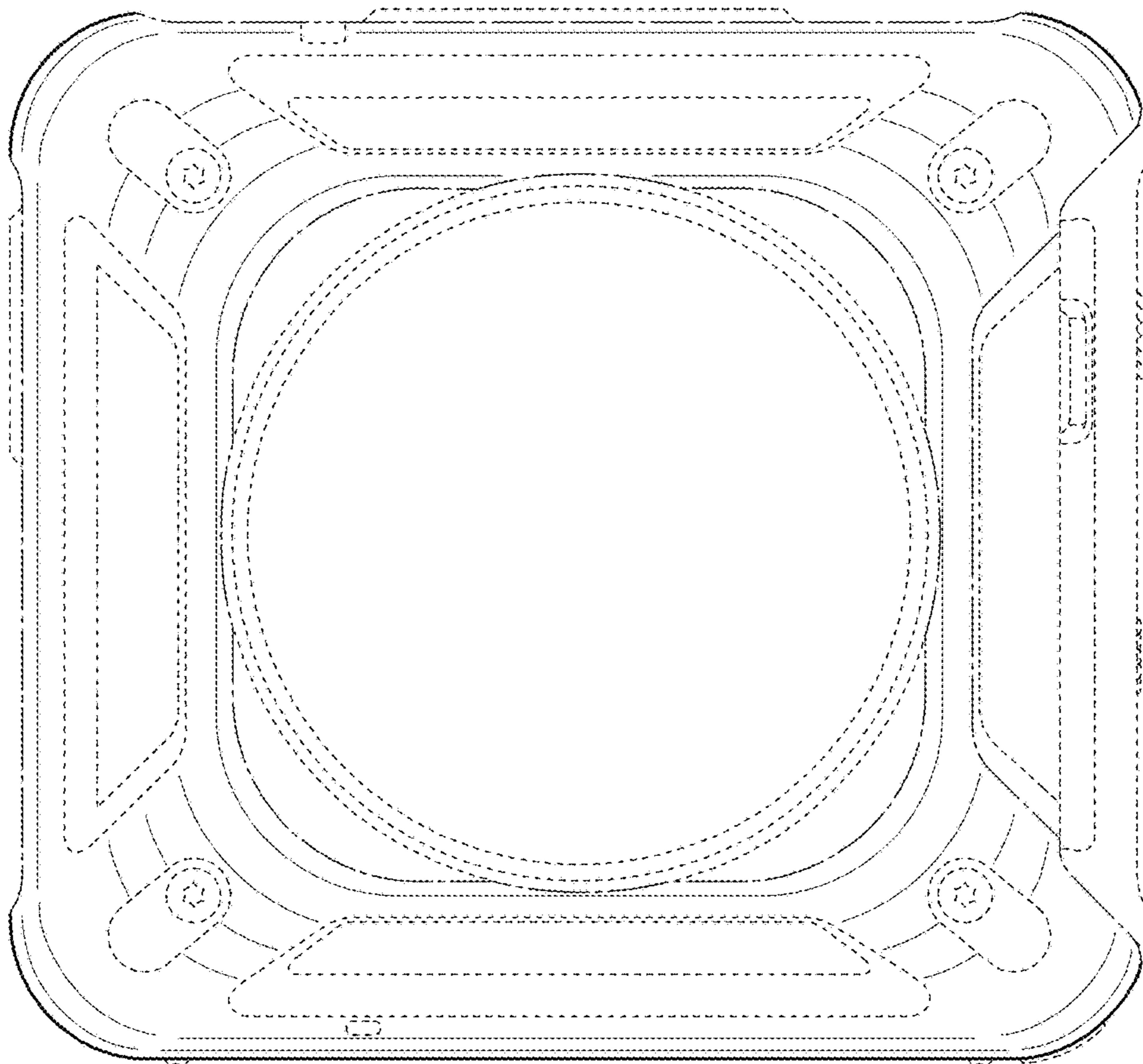


FIG. 4

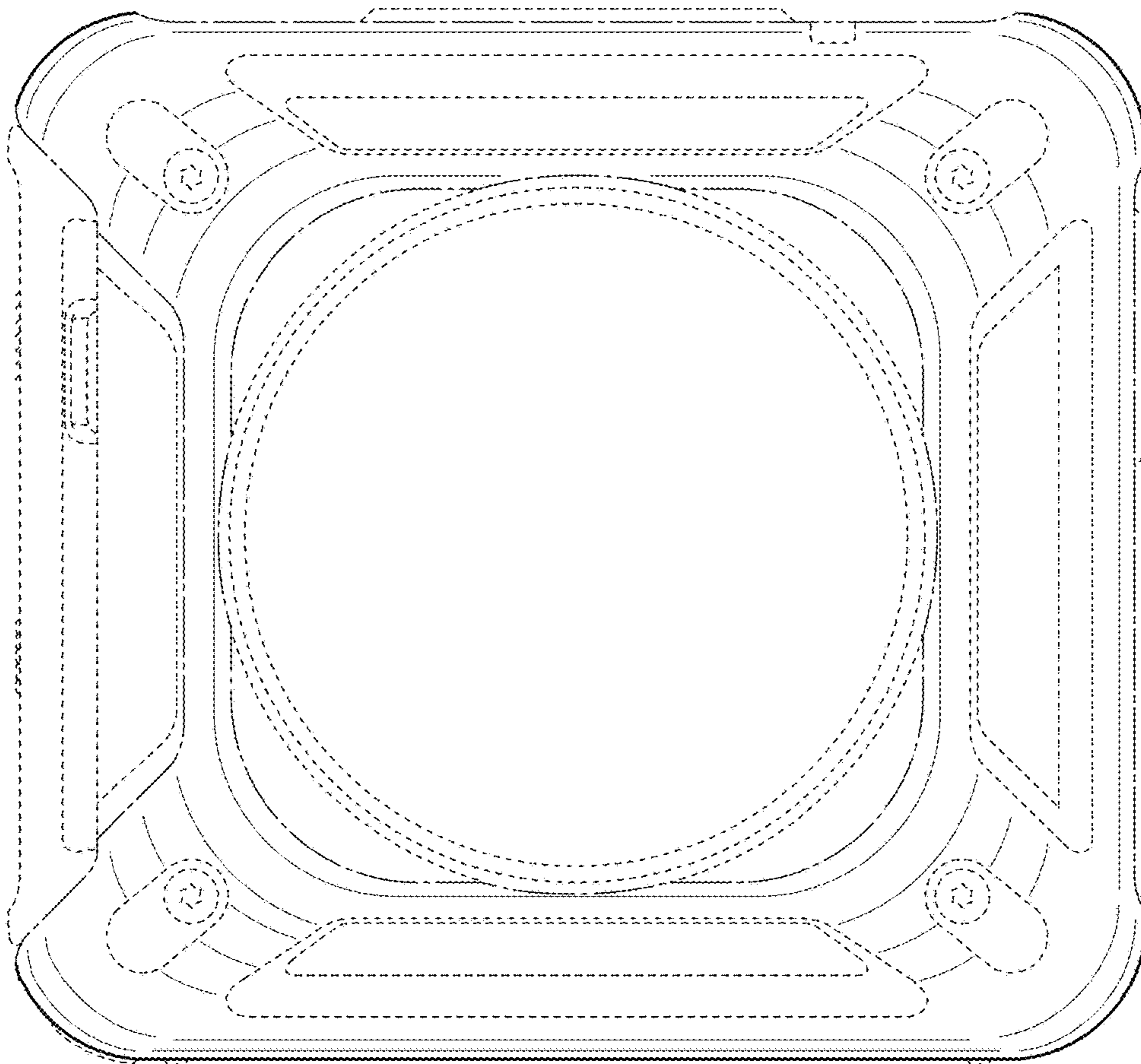


FIG. 5

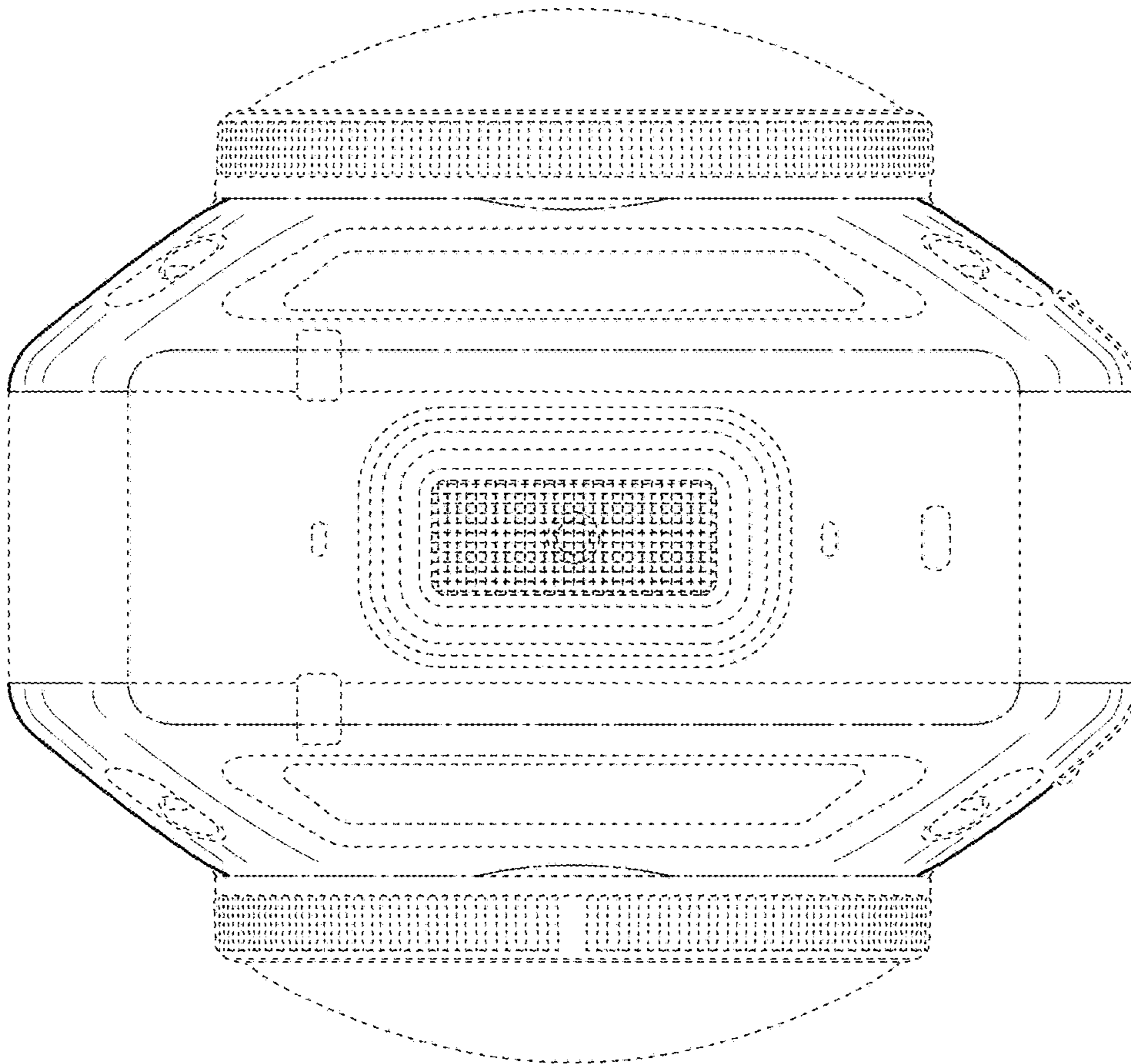


FIG. 6

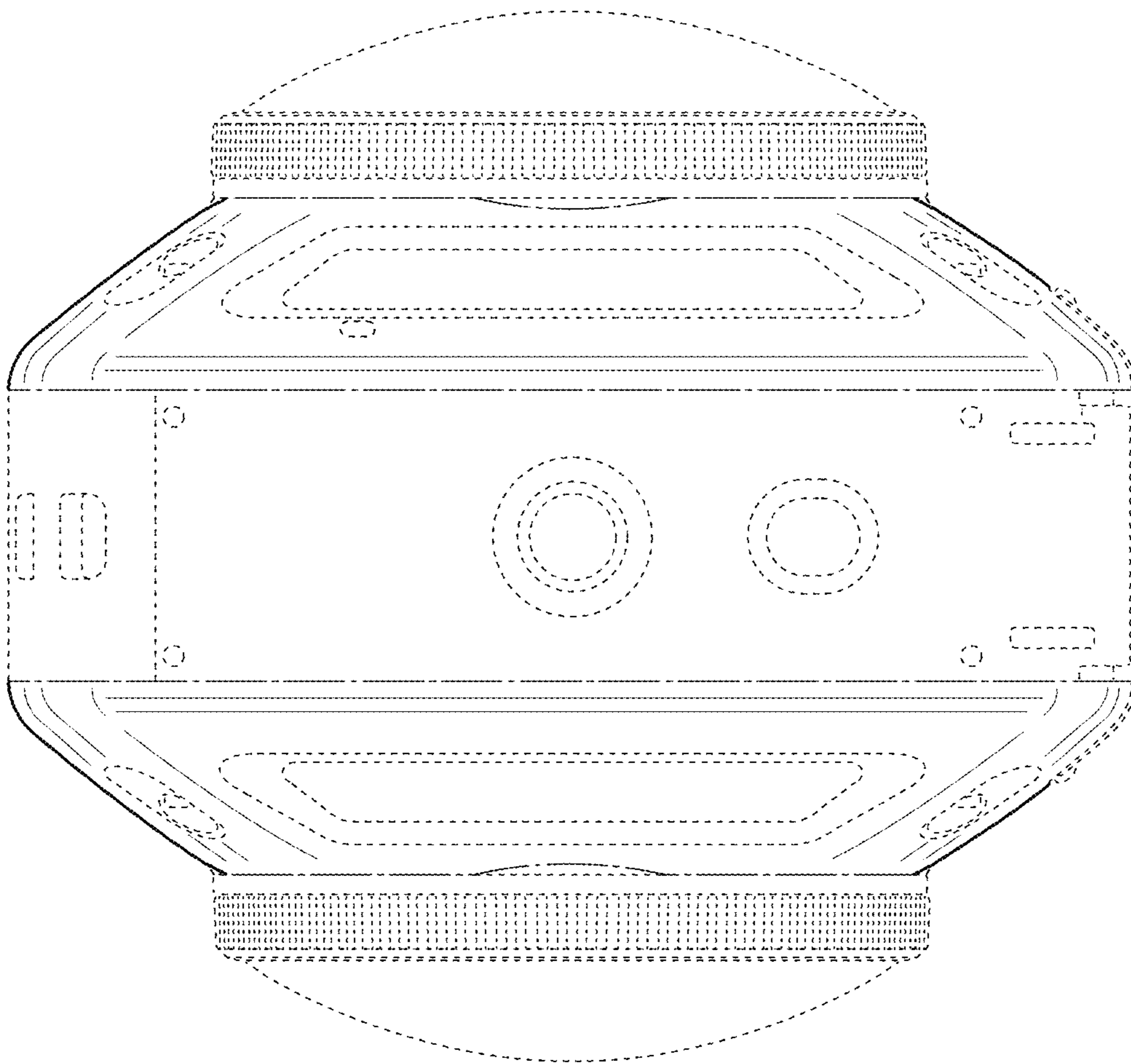


FIG. 7

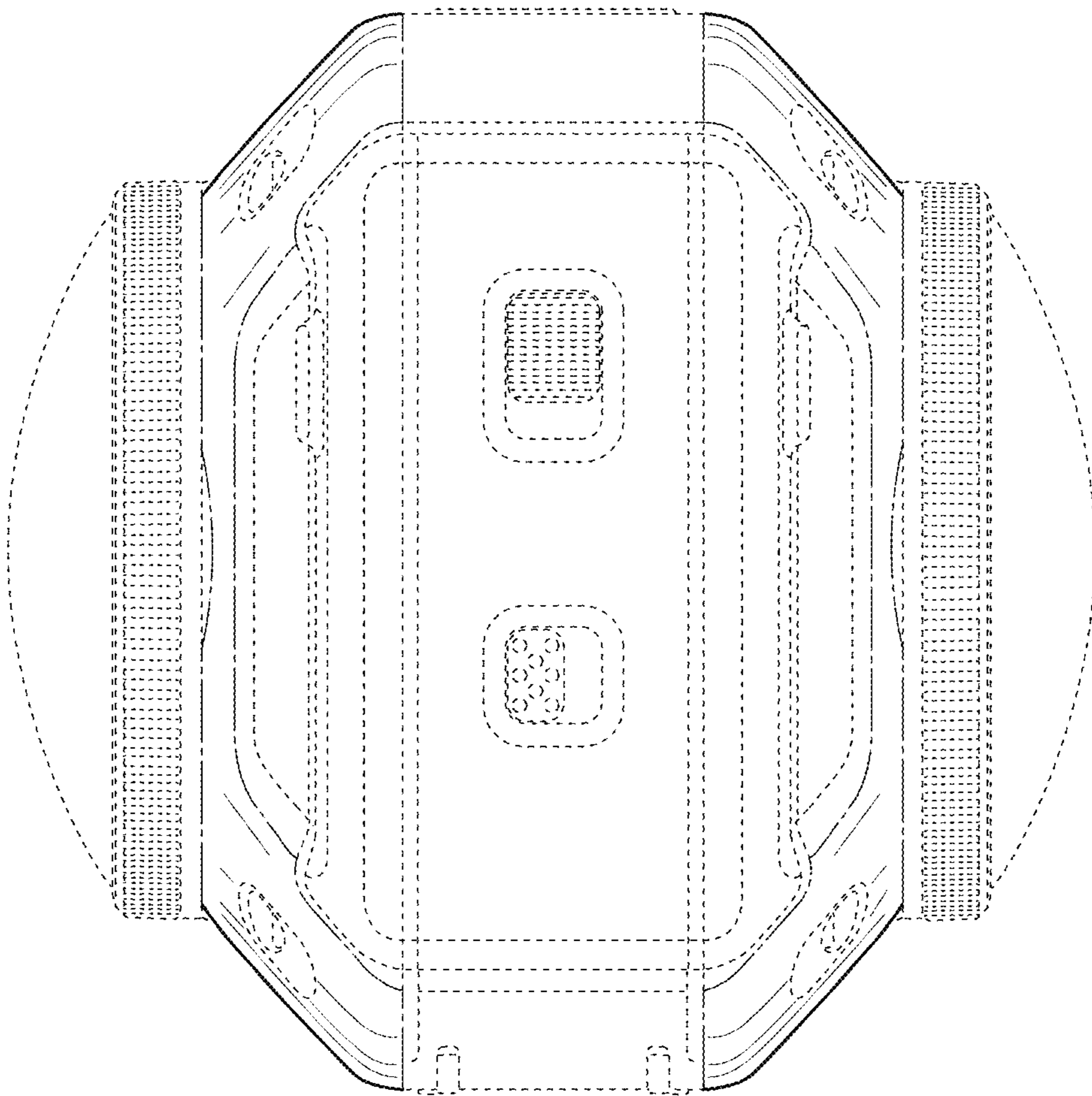


FIG. 8

