



US00D835170S

(12) **United States Design Patent** (10) **Patent No.:** **US D835,170 S**
Pilz et al. (45) **Date of Patent:** **** Dec. 4, 2018**

(54) **BORESCOPIES**
(71) Applicant: **KARL STORZ GmbH & Co. KG**,
Tuttlingen (DE)
(72) Inventors: **Kevin Pilz**, Tuttlingen (DE); **Peter Eisenkolb**, Tuttlingen (DE);
Hermann-Josef Frings, Aachen (DE);
Gunter Moik, Aachen (DE)
(73) Assignee: **KARL STORZ GmbH & Co. KG**,
Tuttlingen (DE)

D517,931 S * 3/2006 Hyde D10/46
D519,868 S * 5/2006 Sasano D10/103
D611,600 S * 3/2010 Stammberger D24/138
D637,718 S * 5/2011 Eisenkolb D24/138
D637,719 S * 5/2011 Eisenkolb D24/138
D741,205 S * 10/2015 Lantzsch D10/57
D745,670 S * 12/2015 Czapalla D24/138
D782,026 S * 3/2017 Bresco Torras D24/108
D782,038 S * 3/2017 Nagele D24/137
D788,201 S * 5/2017 Pilz D10/46
D788,831 S * 6/2017 Pilz D10/46
D825,056 S * 8/2018 Preis D24/137

* cited by examiner

(**) Term: **15 Years**
(21) Appl. No.: **29/568,840**
(22) Filed: **Jun. 22, 2016**

Primary Examiner — Mark A Goodwin
Assistant Examiner — Benjamin M Weeks
(74) *Attorney, Agent, or Firm* — Muncy, Geissler, Olds & Lowe, P.C.

(30) **Foreign Application Priority Data**
Dec. 22, 2015 (EM) 002920181-0001
(51) **LOC (11) Cl.** **16-99**
(52) **U.S. Cl.**
USPC **D16/130**
(58) **Field of Classification Search**
USPC D10/46, 46.2, 47, 50, 57, 72, 74, 100,
D10/102, 103, 124, 125; D16/130–136,
D16/200, 202, 203, 218, 219; D22/108,
D22/109, 100, 110, 199; D24/133, 137,
D24/138
CPC .. F41G 3/08; G01C 3/085; G01C 3/08; G01C
3/06; G01C 3/04; G01C 3/02; G01C 3/00
See application file for complete search history.

(57) **CLAIM**

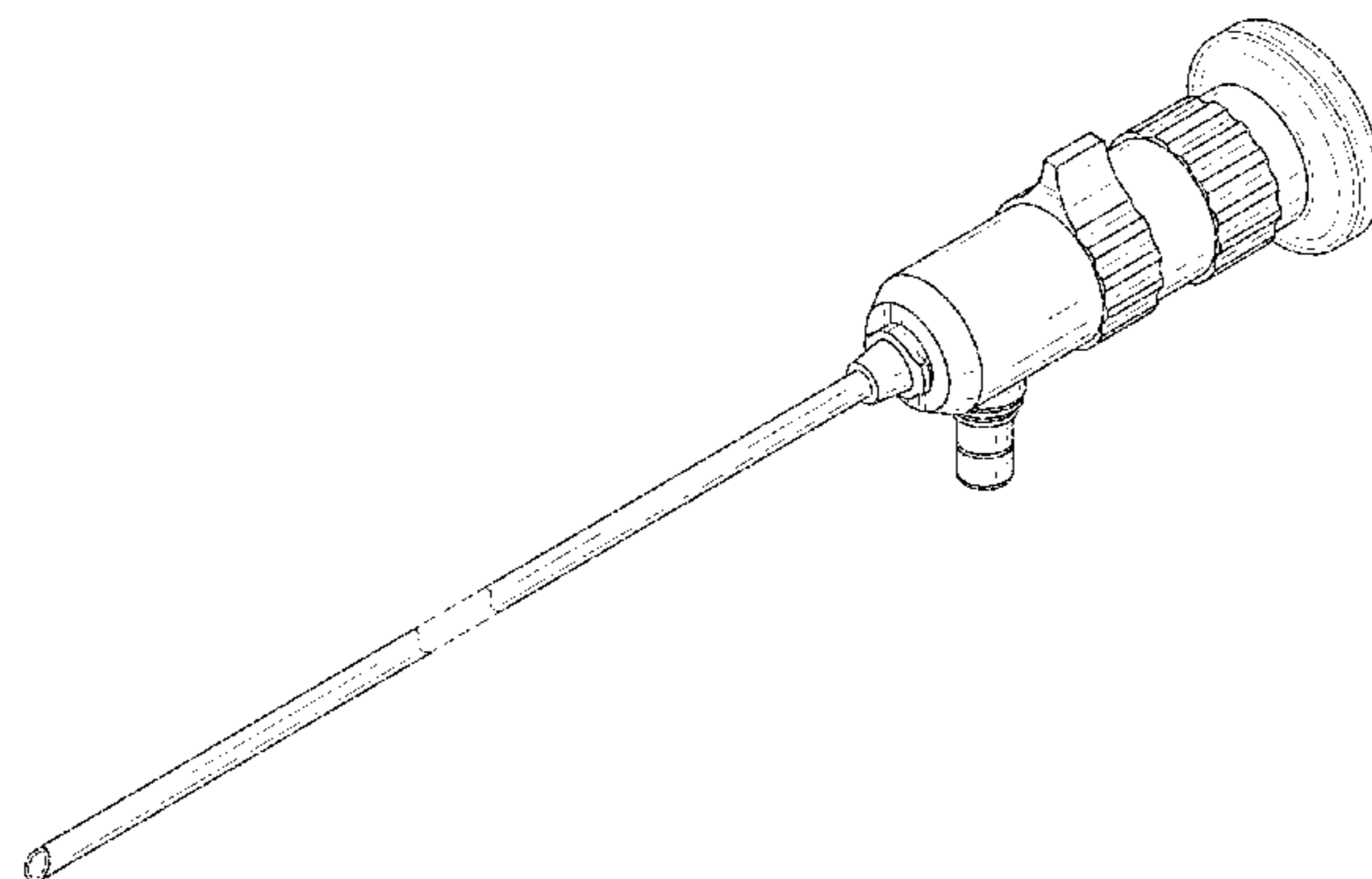
The ornamental design for a borescopes, as shown and described.

DESCRIPTION

FIG. 1 is a front perspective view of a borescopes according to the present invention.
FIG. 2 is a front view of the borescopes of FIG. 1.
FIG. 3 is a rear view of the borescopes of FIG. 1.
FIG. 4 is a left side view of the borescopes of FIG. 1.
FIG. 5 is a right side view of the borescopes of FIG. 1.
FIG. 6 is a top view of the borescopes of FIG. 1; and,
FIG. 7 is a bottom view of the borescopes of FIG. 1.
The dashed lines illustrate environment that does not form a part of the present invention, and no claim is made to the material illustrated with dashed lines.

(56) **References Cited**
U.S. PATENT DOCUMENTS
D257,239 S * 10/1980 Johnson D10/103
D257,429 S * 10/1980 Manno D10/103

1 Claim, 7 Drawing Sheets



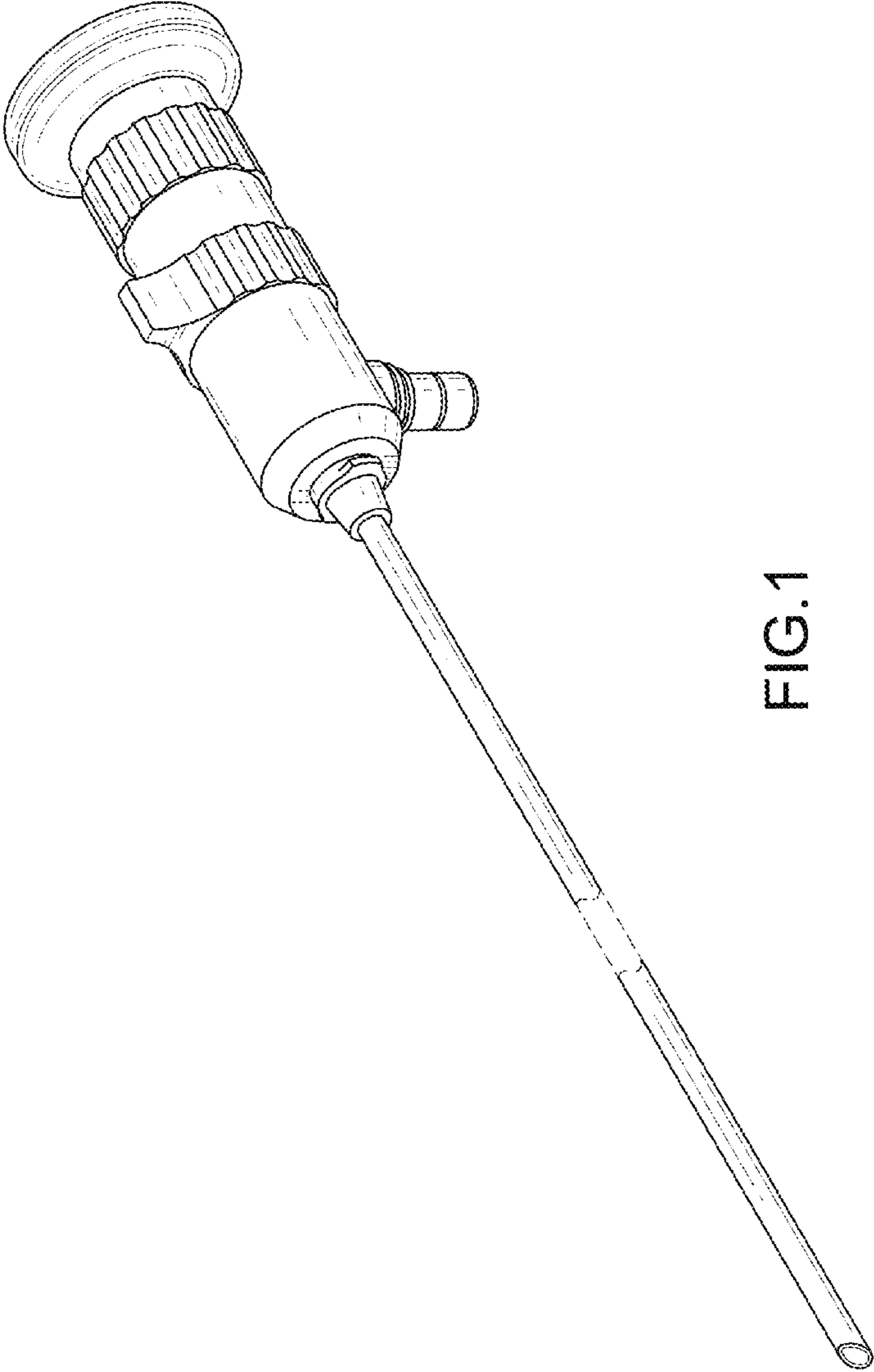


FIG.1

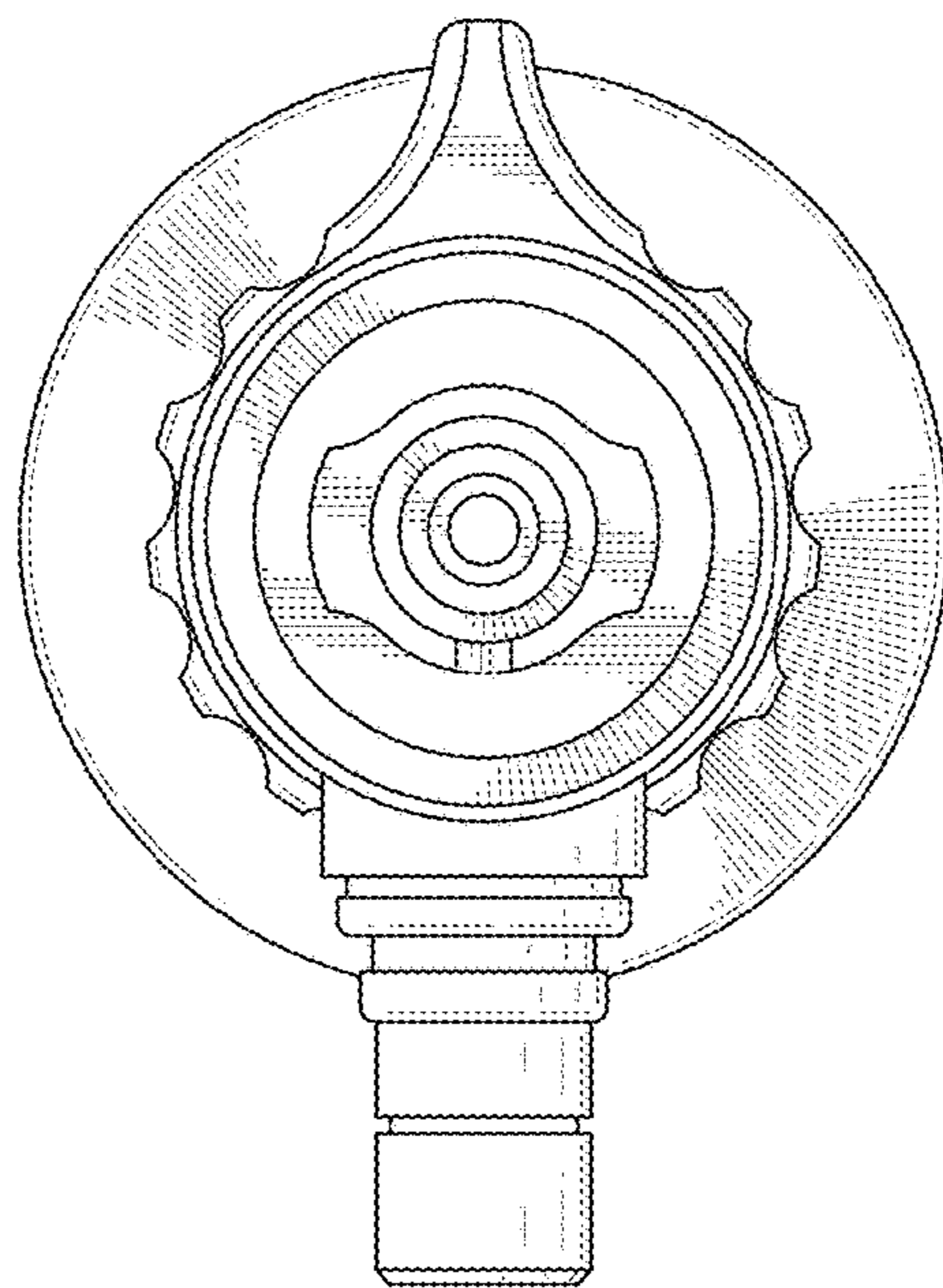


FIG.2

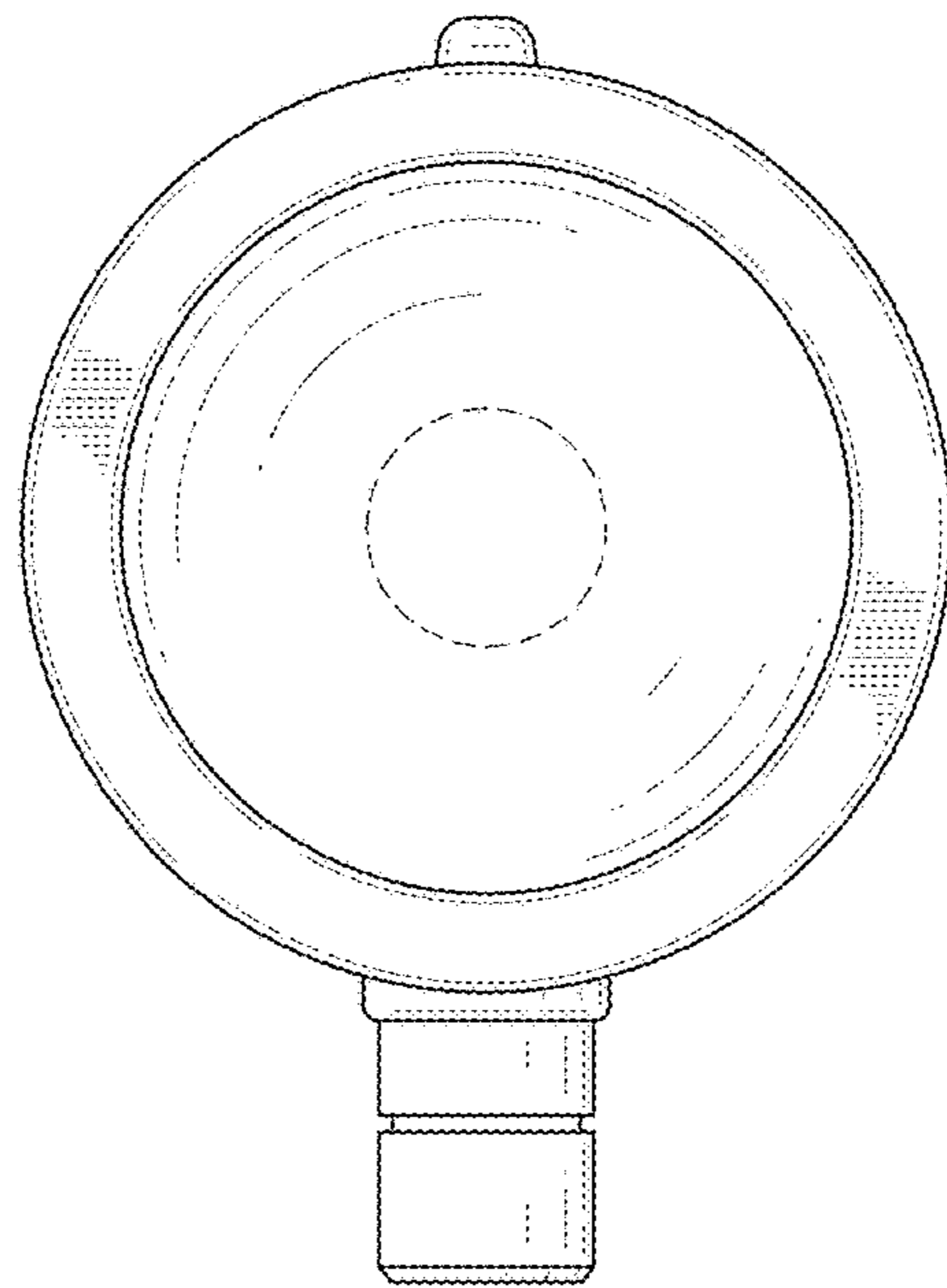


FIG.3

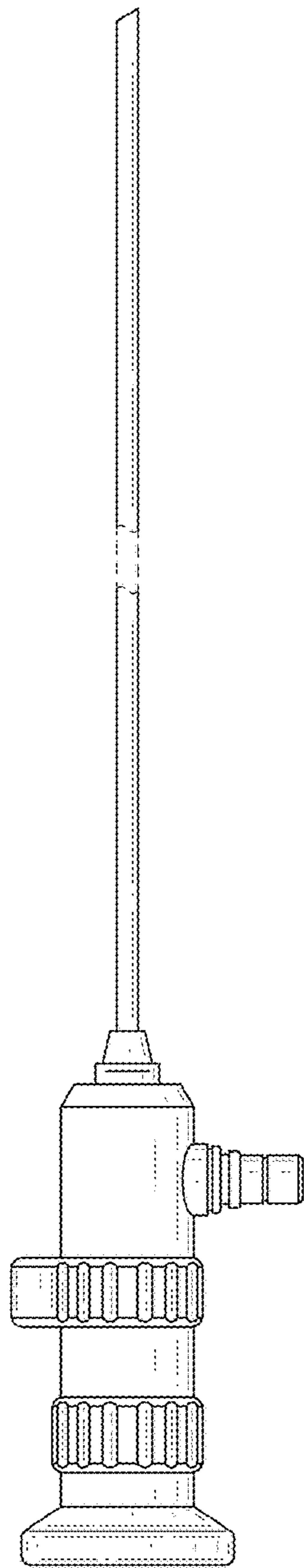


FIG.4

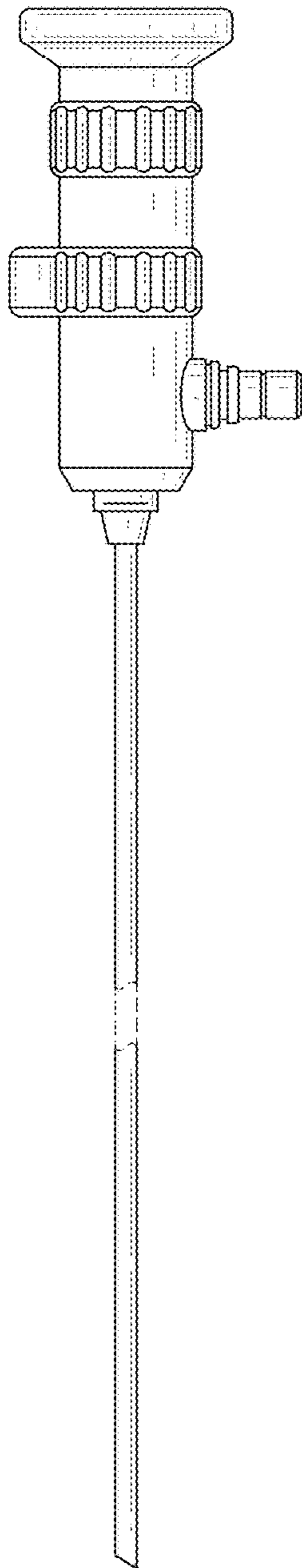


FIG.5

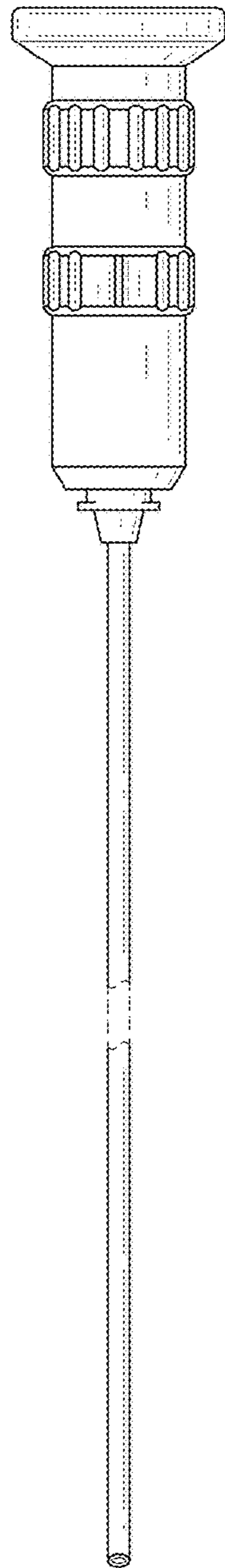


FIG.6

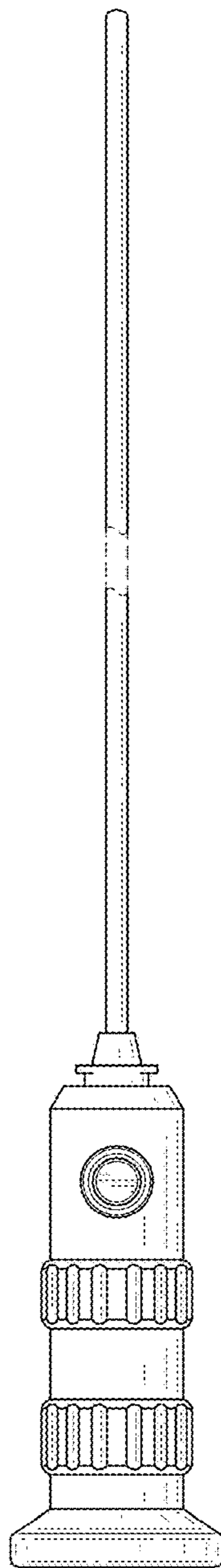


FIG.7

UNITED STATES PATENT AND TRADEMARK OFFICE
CERTIFICATE OF CORRECTION

PATENT NO. : D835,170 S
APPLICATION NO. : 29/568840
DATED : December 4, 2018
INVENTOR(S) : Pilz et al.

Page 1 of 1

It is certified that error appears in the above-identified patent and that said Letters Patent is hereby corrected as shown below:

On the Title Page

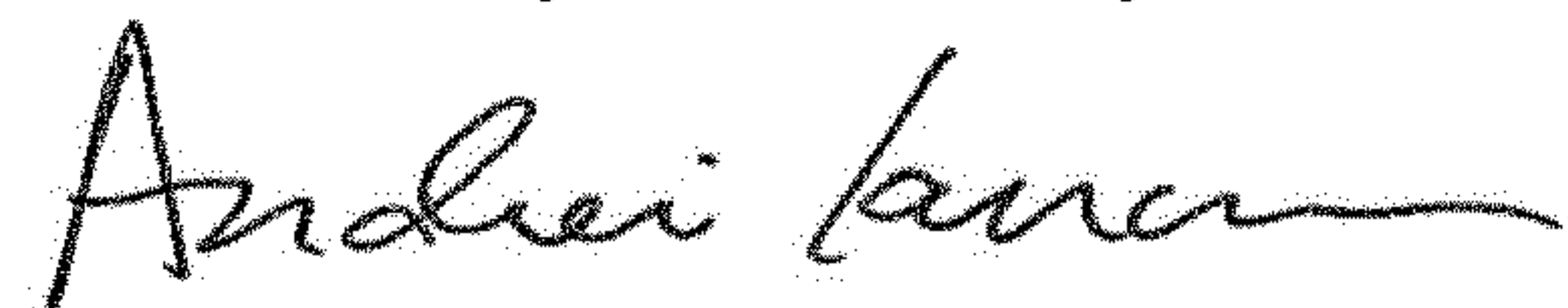
Currently shows:

(73) Assignee: **KARL STORZ GmGH & Co. KG**, Tuttlingen (DE)

Should show:

(73) Assignee: **KARL STORZ GmbH & Co. KG**, Tuttlingen (DE)

Signed and Sealed this
Fifth Day of February, 2019



Andrei Iancu
Director of the United States Patent and Trademark Office