



US00D835169S

(12) **United States Design Patent**
Morisawa

(10) **Patent No.:** **US D835,169 S**
(45) **Date of Patent:** **** Dec. 4, 2018**

(54) **ROBOT**

(71) Applicant: **SONY MOBILE COMMUNICATIONS INC.**, Tokyo (JP)

(72) Inventor: **Yujin Morisawa**, Tokyo (JP)

(73) Assignee: **SONY MOBILE COMMUNICATIONS INC.**, Tokyo (JP)

(**) Term: **15 Years**

(21) Appl. No.: **29/594,445**

(22) Filed: **Feb. 17, 2017**

(30) **Foreign Application Priority Data**

Aug. 19, 2016 (JP) D2016-017757
Aug. 19, 2016 (JP) D2016-017758

(51) **LOC (11) Cl.** **15-99**

(52) **U.S. Cl.**
USPC **D15/199; D16/202**

(58) **Field of Classification Search**
USPC D15/199; D16/202; D21/578-583, 621, D21/622
CPC B25J 5/007; B60B 19/006; B62D 57/024; H01F 7/0221; Y10S 901/01
See application file for complete search history.

(56) **References Cited**

U.S. PATENT DOCUMENTS

D389,151 S 1/1998 Shintani
D410,479 S 6/1999 Sawai
D415,159 S 10/1999 Nakano
D446,234 S * 8/2001 Shih D16/202
D450,788 S * 11/2001 Kawasaki D21/578
D455,767 S * 4/2002 Tsang D16/202

D467,952 S * 12/2002 Nakamura D16/202
D486,509 S * 2/2004 Suzuki D16/202
D502,196 S * 2/2005 Miyazaki D16/202
D508,067 S * 8/2005 Deguchi D16/202
D542,319 S 5/2007 Ishida et al.
D545,860 S * 7/2007 Miyazaki D16/202
D547,347 S * 7/2007 Kim D16/202
D549,756 S * 8/2007 Park D15/199
D556,803 S 12/2007 Ishida
D565,070 S * 3/2008 Kim D16/202
D608,811 S * 1/2010 Frank D16/203
D644,256 S * 8/2011 Kitano D15/199
D667,268 S * 9/2012 Pallotto D7/510
D676,477 S * 2/2013 Chen D16/202
D710,953 S * 8/2014 Katsutani D15/199
D719,621 S * 12/2014 Song D21/578
D723,395 S * 3/2015 Dispenza D10/53
D727,867 S * 4/2015 Chao D14/130
D728,654 S * 5/2015 Lee D16/202
D741,389 S * 10/2015 Park D16/203
D741,931 S * 10/2015 Huang D16/202

(Continued)

Primary Examiner — Patricia A Palasik

(74) *Attorney, Agent, or Firm* — Michael Best and Friedrich LLP

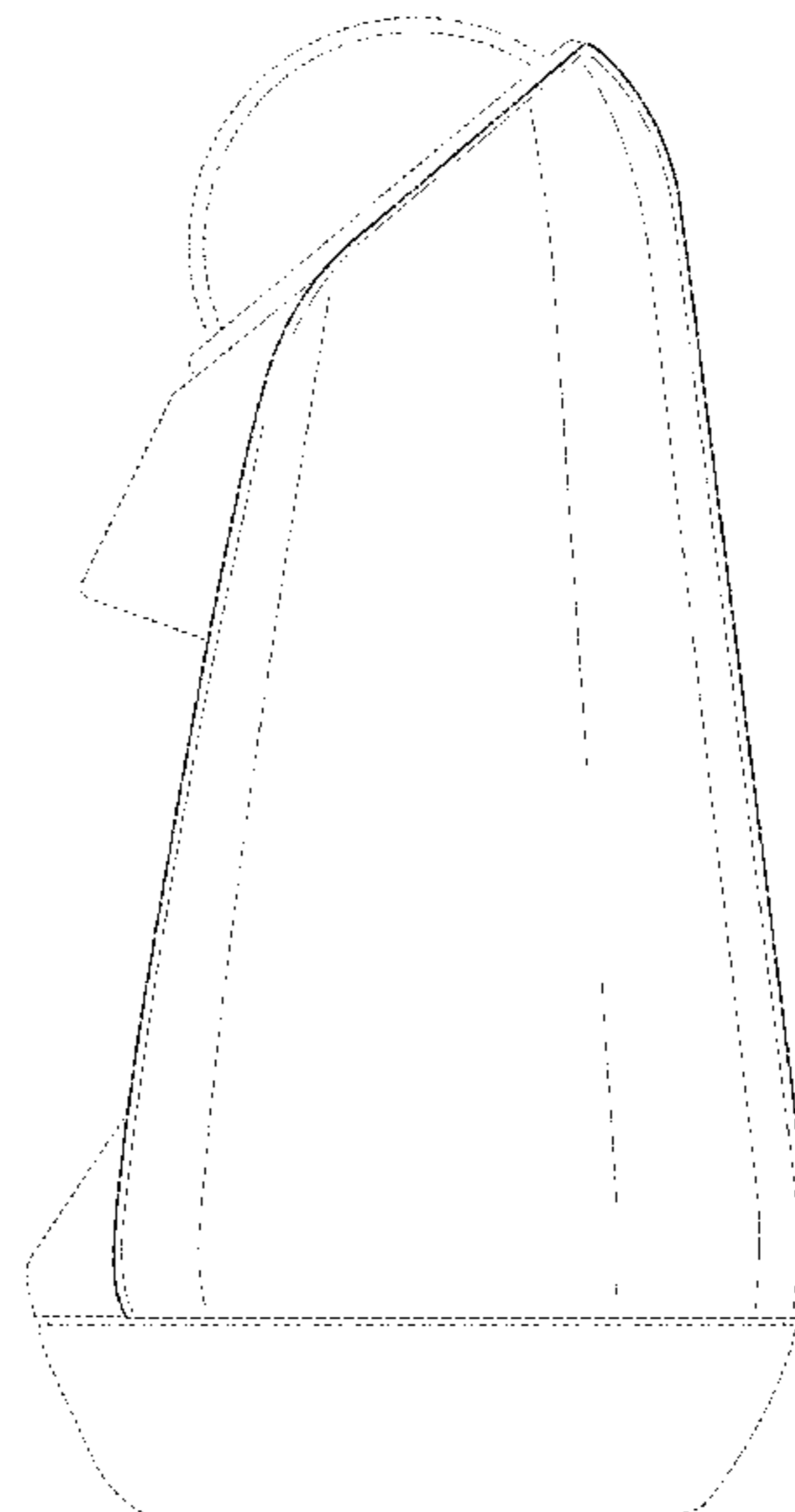
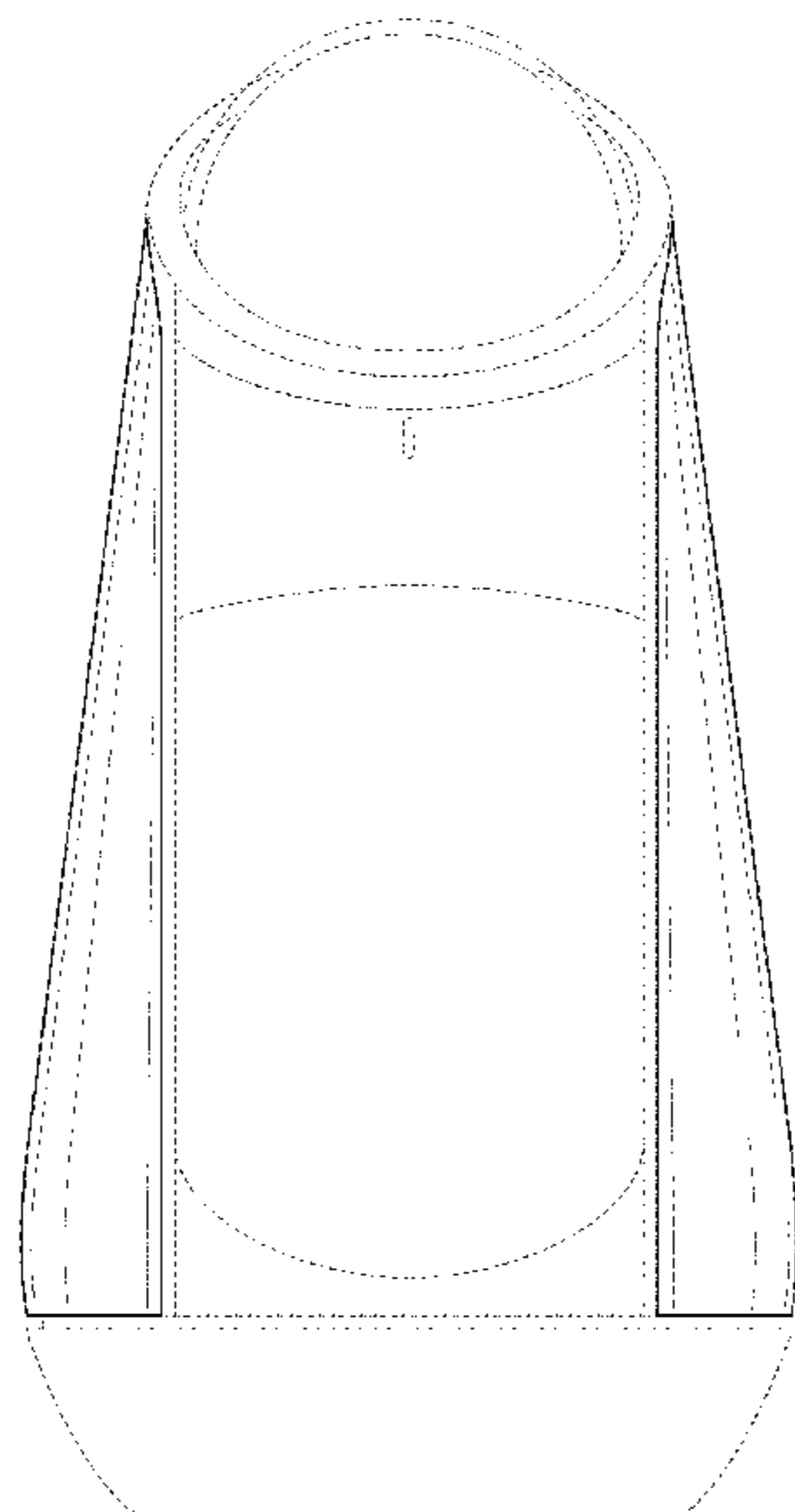
(57) **CLAIM**

The ornamental design for a robot, as shown and described.

DESCRIPTION

FIG. 1 is a front elevational view of a robot showing my new design;
FIG. 2 is a rear elevational view thereof;
FIG. 3 is a right side elevational view thereof, a left side elevational view thereof being a mirror image;
FIG. 4 is a top plan view thereof;
FIG. 5 is a bottom plan view thereof; and,
FIG. 6 is a front, top perspective view thereof.
The broken lines illustrating portions of the robot depict unclaimed environmental subject matter.

1 Claim, 5 Drawing Sheets



(56)

References Cited

U.S. PATENT DOCUMENTS

D746,887 S *	1/2016	Deng	D16/202
D754,662 S *	4/2016	Volta	D14/420
D786,329 S *	5/2017	Kamei	D16/202
D790,620 S *	6/2017	Lee	D16/202
D793,145 S *	8/2017	Huang	D15/199
D799,575 S *	10/2017	Tang	D15/199
D802,040 S *	11/2017	Canoso	D15/199
D809,044 S *	1/2018	Loew	D16/202
D813,281 S *	3/2018	Kittmann	D15/199
D813,926 S *	3/2018	Shin	D16/203

* cited by examiner

FIG. 1

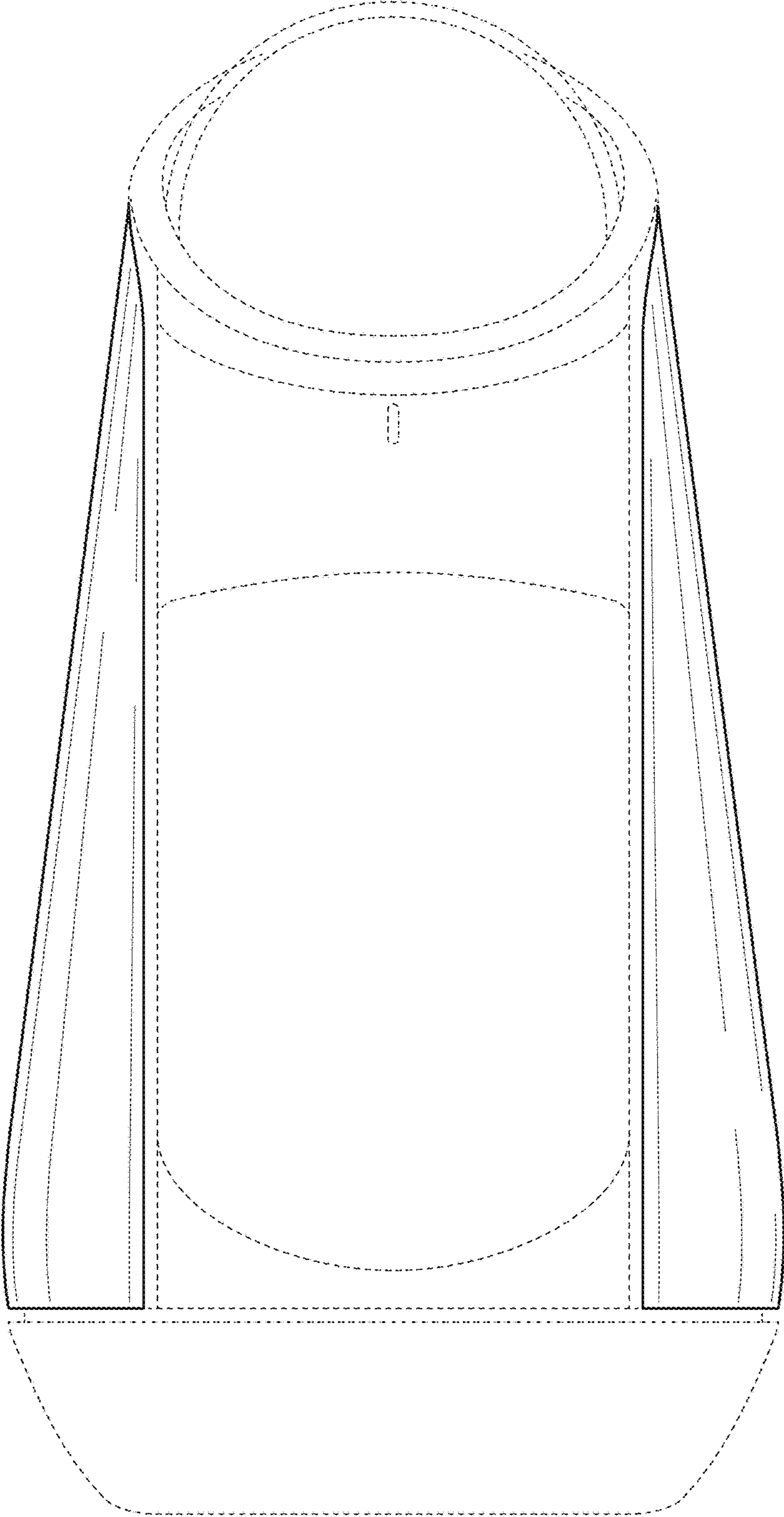


FIG.2

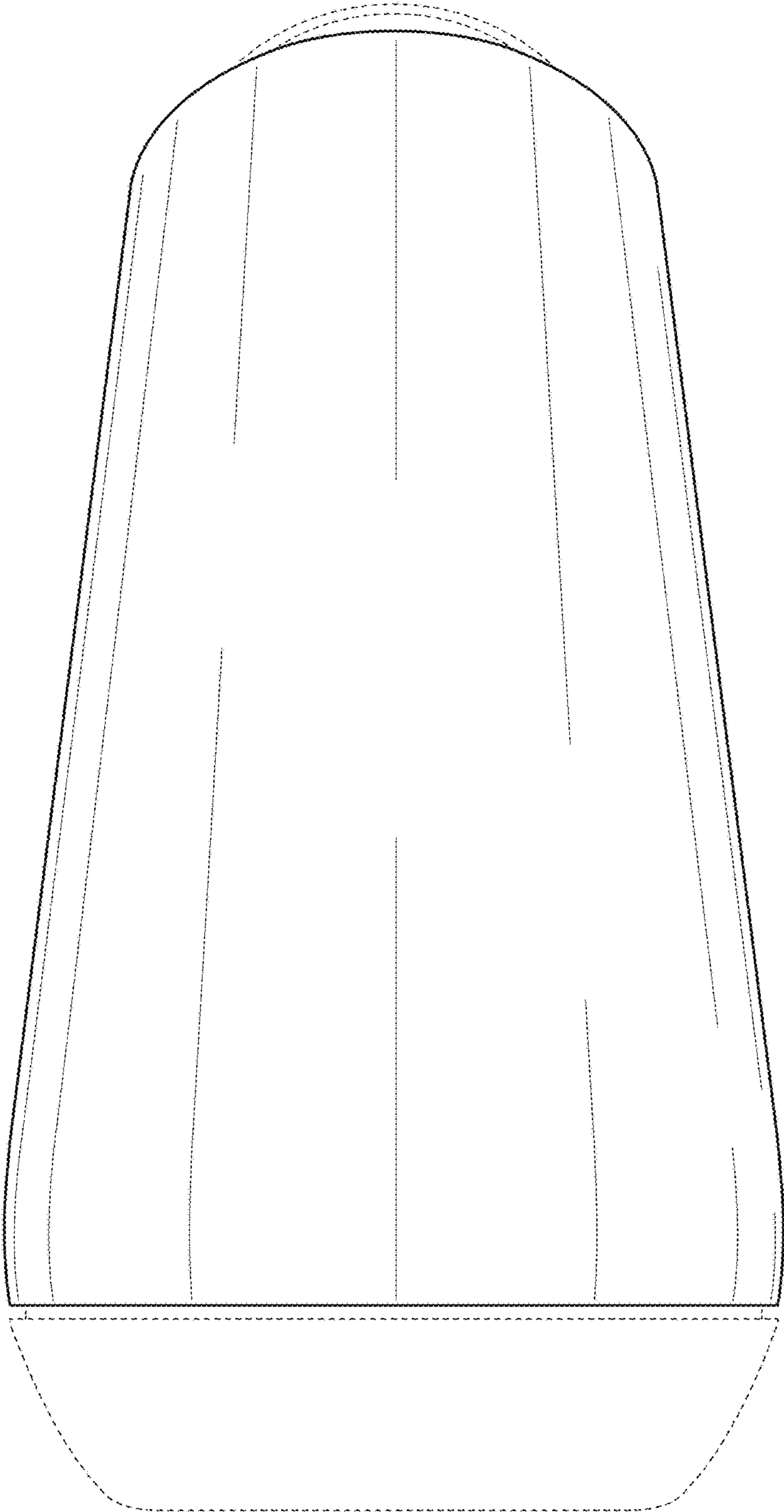


FIG.3



FIG.4

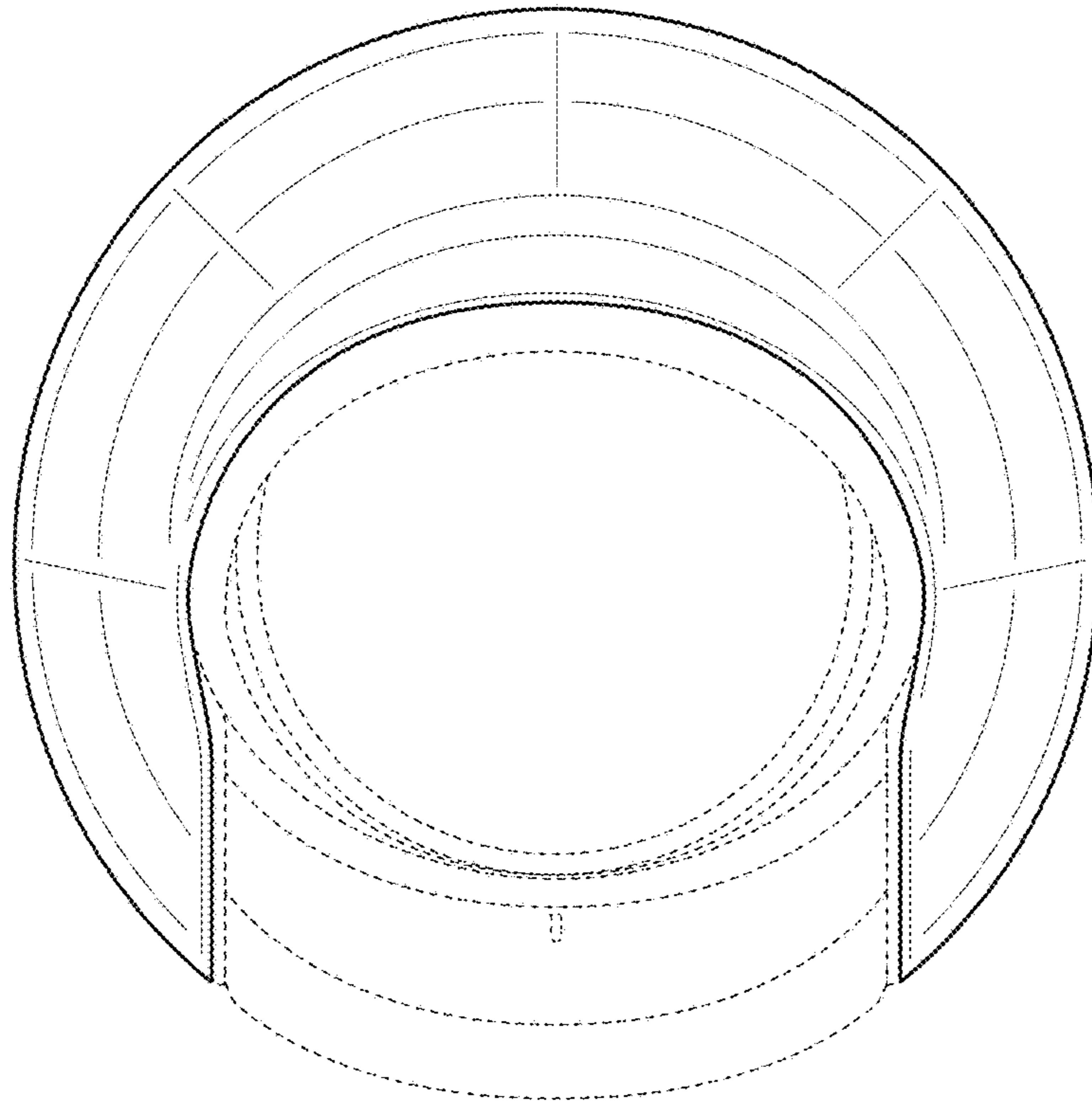


FIG.5

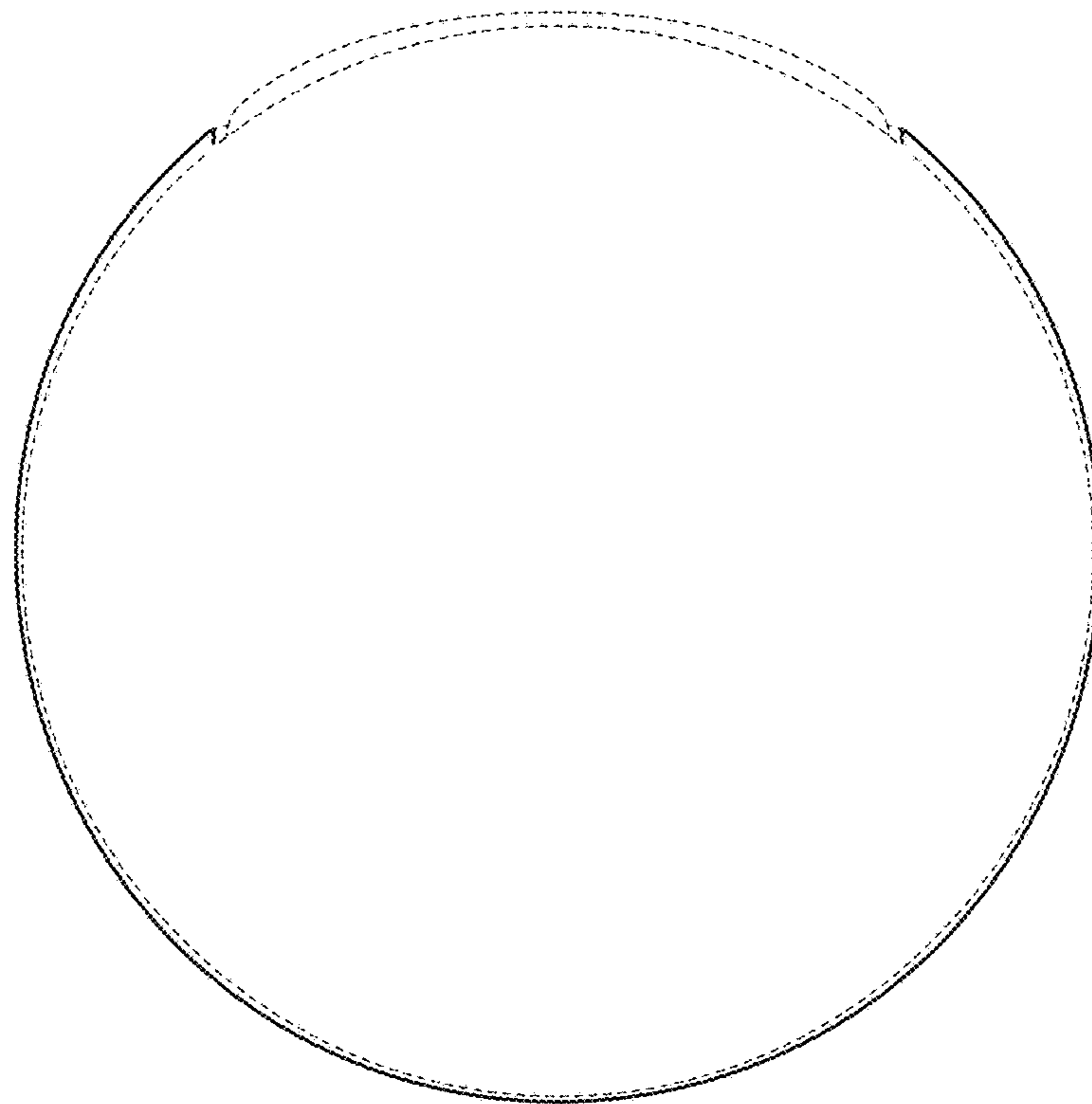


FIG.6

