



US00D835168S

(12) **United States Design Patent** (10) **Patent No.:** **US D835,168 S**
Kodama et al. (45) **Date of Patent:** **** Dec. 4, 2018**

(54) **ALUMINUM INGOT**

(56) **References Cited**

(71) Applicant: **Hoei Shokai Co., Ltd.**, Aichi (JP)
(72) Inventors: **Yasuyuki Kodama**, Aichi (JP); **Hitoshi Mizuno**, Aichi (JP); **Shunsuke Koide**, Aichi (JP)
(73) Assignee: **Hoei Shokai Co., Ltd.**, Aichi (JP)
(**) Term: **15 Years**
(21) Appl. No.: **29/601,694**
(22) Filed: **Apr. 25, 2017**

U.S. PATENT DOCUMENTS

D30,469	S	*	4/1899	Hayden	D15/144
D53,484	S	*	7/1919	Brille et al.	428/579
1,497,633	A	*	6/1924	Page	B21D 51/00 428/579
1,957,922	A	*	5/1934	Wilcox	B21K 1/64 411/427
D167,479	S	*	8/1952	Peters	D1/199
D167,582	S	*	8/1952	Peters	D1/199
D278,934	S	*	5/1985	Scheiwiller	D25/113
D281,698	S	*	12/1985	Ryan	D15/144
D288,370	S	*	2/1987	Rinninger	D25/113
D459,571	S	*	7/2002	Borland	D1/199
D531,381	S	*	11/2006	Bailey	D1/101
D592,377	S	*	5/2009	Lee	D1/127
D645,575	S	*	9/2011	Bone	D25/113
D652,153	S	*	1/2012	Hammer	D25/113
D685,080	S	*	6/2013	Ferguson	D24/101

(30) **Foreign Application Priority Data**

Oct. 25, 2016 (JP) 2016-023160

(51) **LOC (11) Cl.** **15-07**

(52) **U.S. Cl.**
USPC **D15/144**

(58) **Field of Classification Search**
USPC D15/144, 144.1, 144.2; D1/100, 199;
D25/118, 112, 113; D11/152-155;
D28/8.1; D24/100-101

CPC B22F 2998/10; B22F 2999/00; B22F 3/10;
B22F 3/02; B22F 9/08; B22F 2003/248;
B22F 2201/01; B22F 9/04; B22F
2202/06; B22F 2003/247; B22F
2009/043; B22F 3/14; B22F 3/17; B22F
3/23; B22F 1/0062; B22F 1/02; B22F
2001/0066; B22F 2003/175; B22F
2009/048; B22F 2009/0804; B22F
2201/10; B22F 2201/20; B22F 2202/05;
B22F 2202/07; B22F 2202/11; B22F
2202/13; B22F 2301/45; B22F 2302/45;
B22F 3/1021; B22F 3/16; B22F 3/24;
B22F 5/006; B22F 2003/026; B22F
3/1035; B22F 3/105; B22F 3/1055; B22F
3/11; B22F 3/18; B22F 9/002; B22F
9/082

See application file for complete search history.

(Continued)

Primary Examiner — Ian Simmons

Assistant Examiner — Khawaja Anwar

(74) *Attorney, Agent, or Firm* — Saliwanchik, Lloyd & Eisenchenk

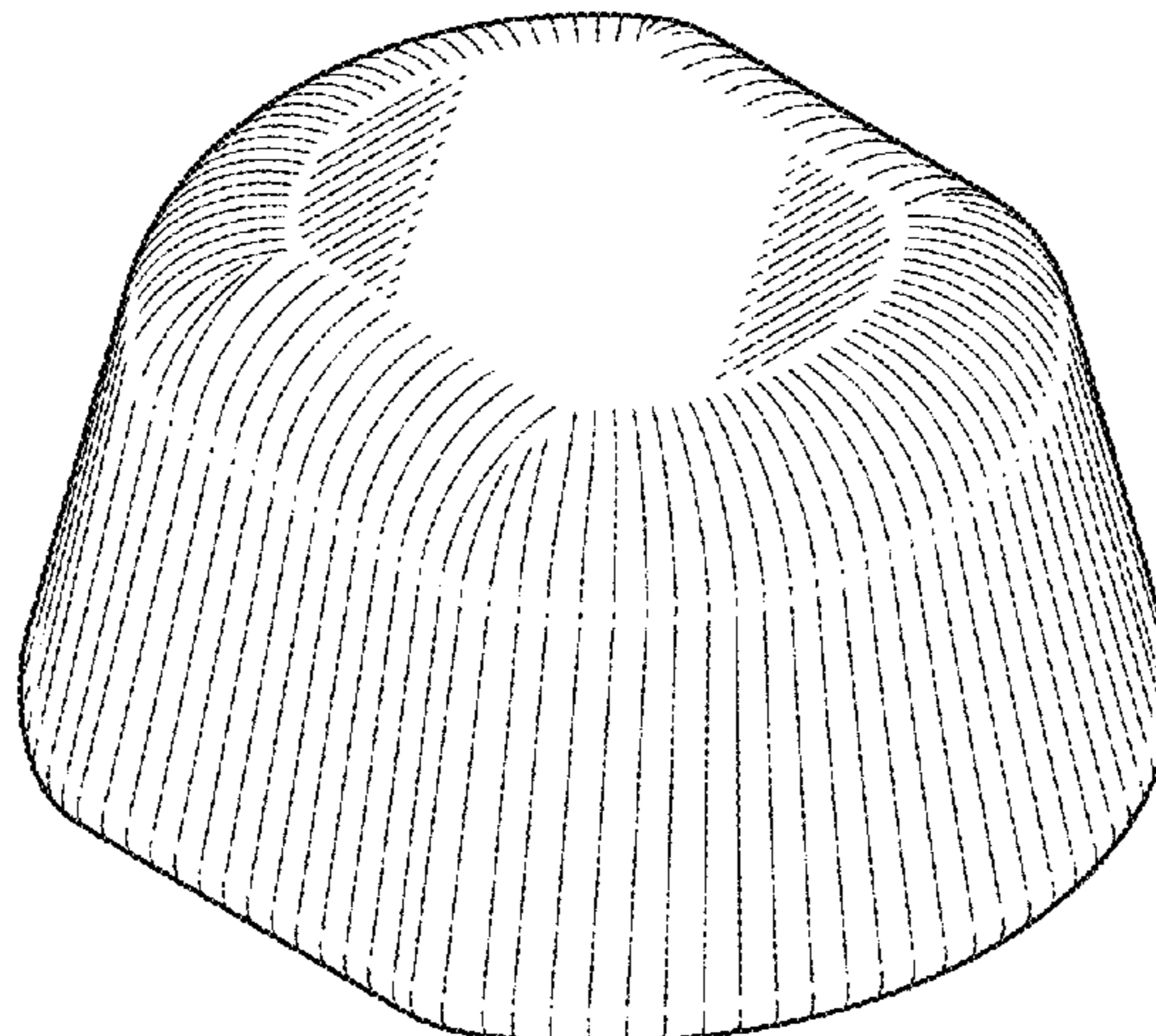
(57) **CLAIM**

The ornamental design for an aluminum ingot, as shown and described.

DESCRIPTION

FIG. 1 is a perspective view of an aluminum ingot showing our new design;
FIG. 2 is a front elevational view thereof;
FIG. 3 is a rear elevational view thereof;
FIG. 4 is a right side elevational view thereof;
FIG. 5 is a left side elevational view thereof;
FIG. 6 is a top plan view thereof; and,
FIG. 7 is a bottom plan view thereof.

1 Claim, 7 Drawing Sheets



(56)

References Cited

U.S. PATENT DOCUMENTS

D710,568 S *	8/2014	Fox	D1/199
D711,622 S *	8/2014	Kaufman	D1/199
D726,899 S *	4/2015	Pai	D24/101
D740,407 S *	10/2015	Kassouni	D24/101
D742,066 S *	10/2015	Watabe	D28/8.1
D813,321 S *	3/2018	Zaki	D21/662

* cited by examiner

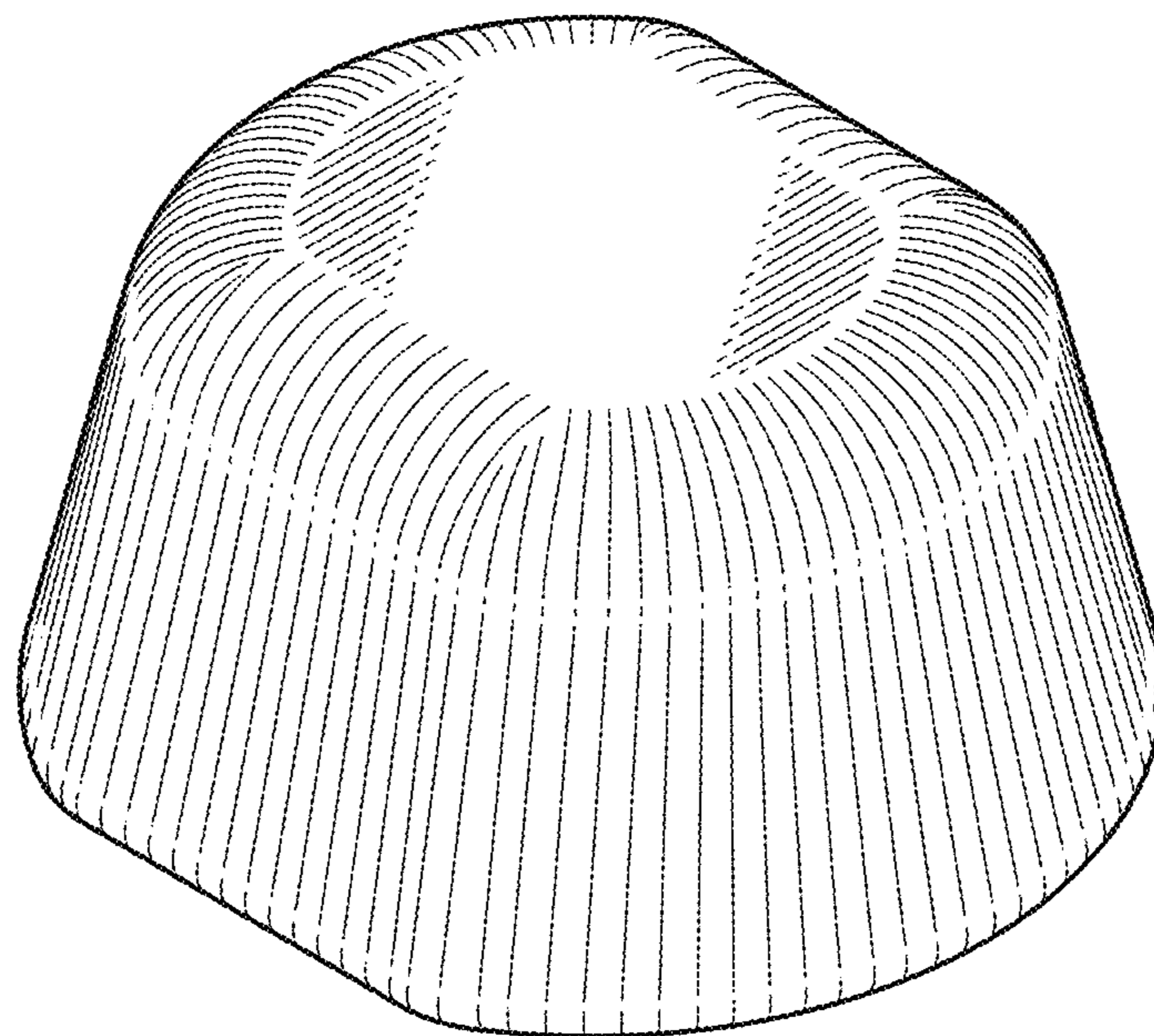


FIG.1

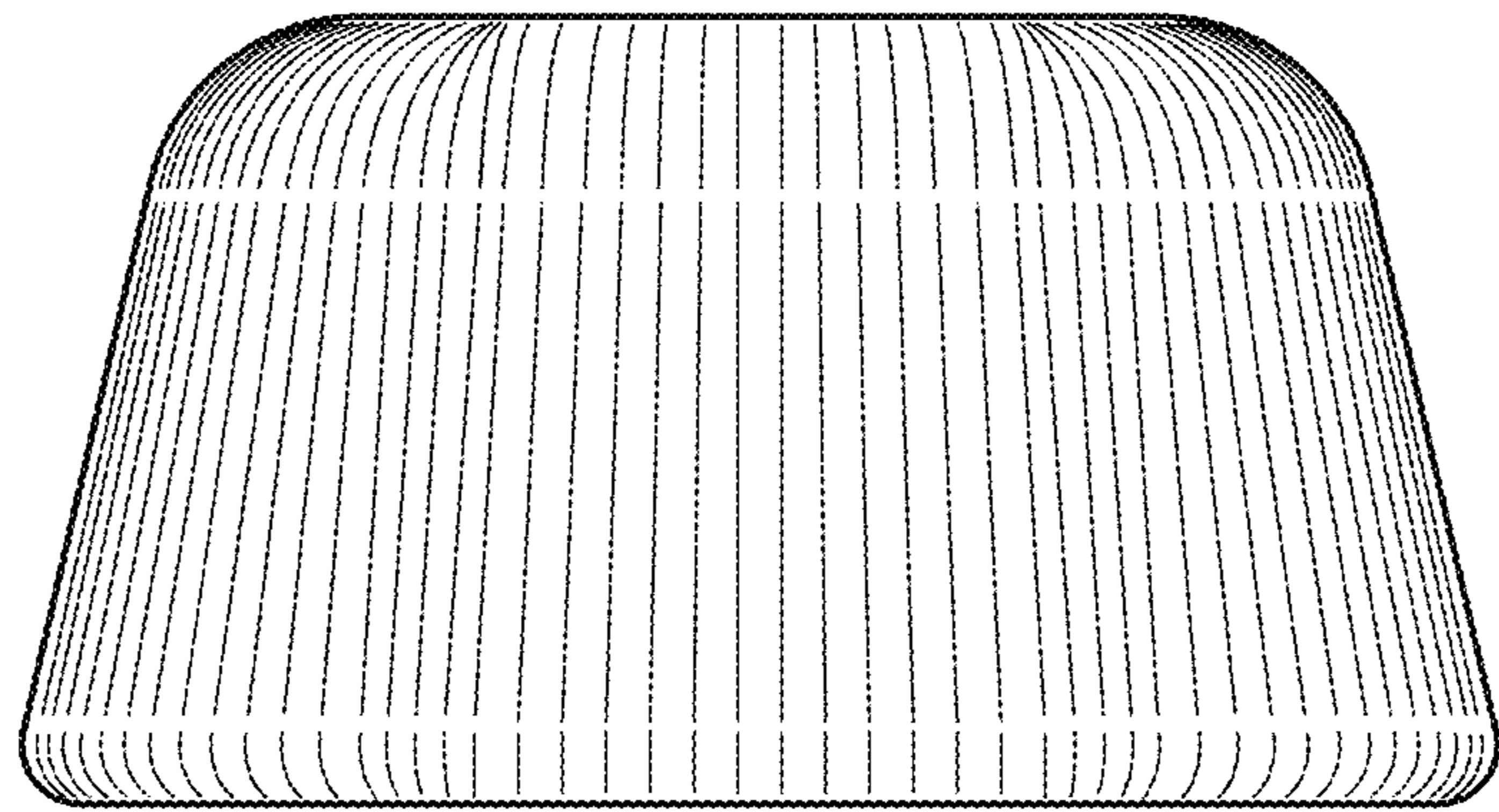


FIG.2

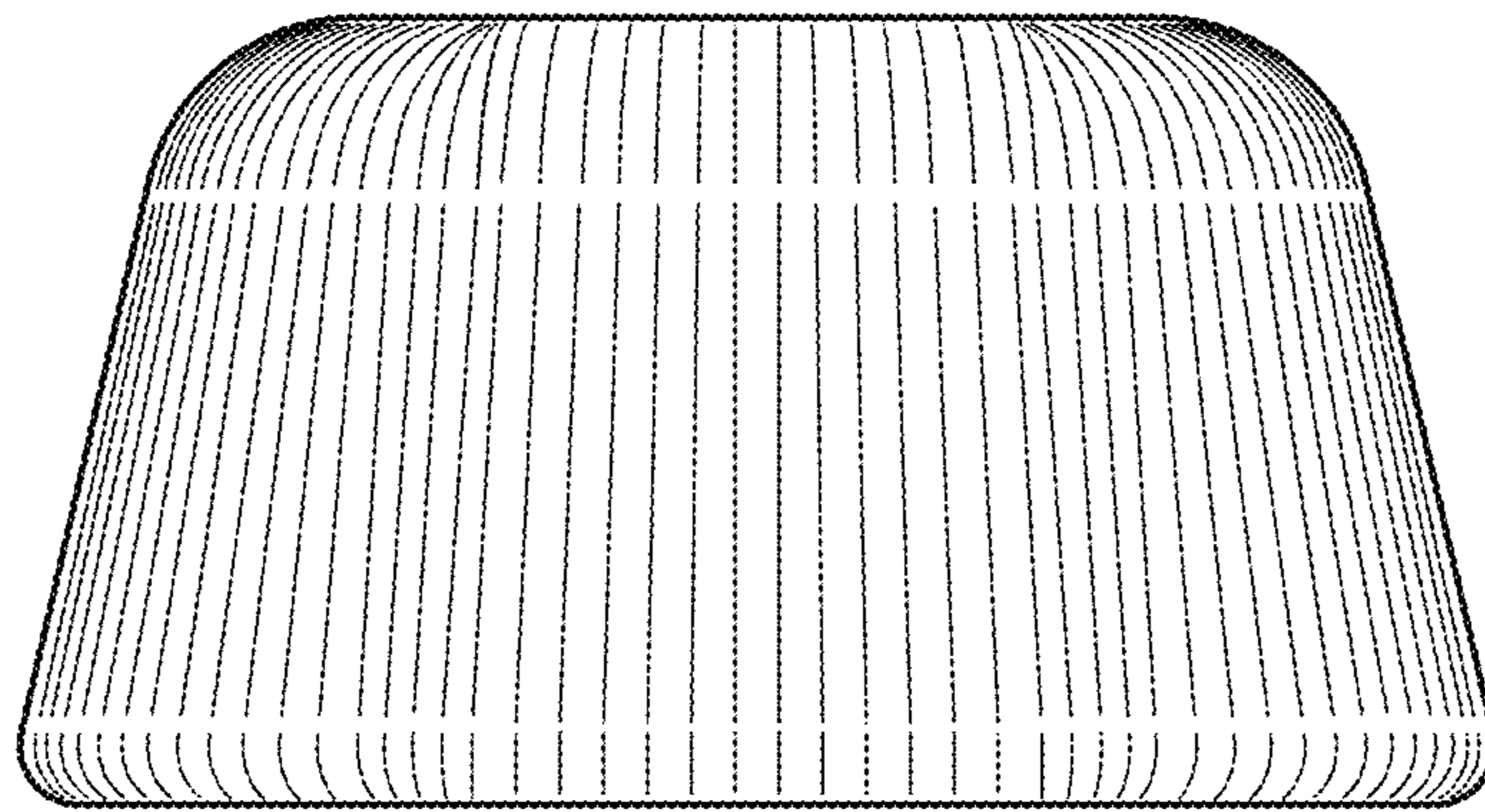


FIG.3

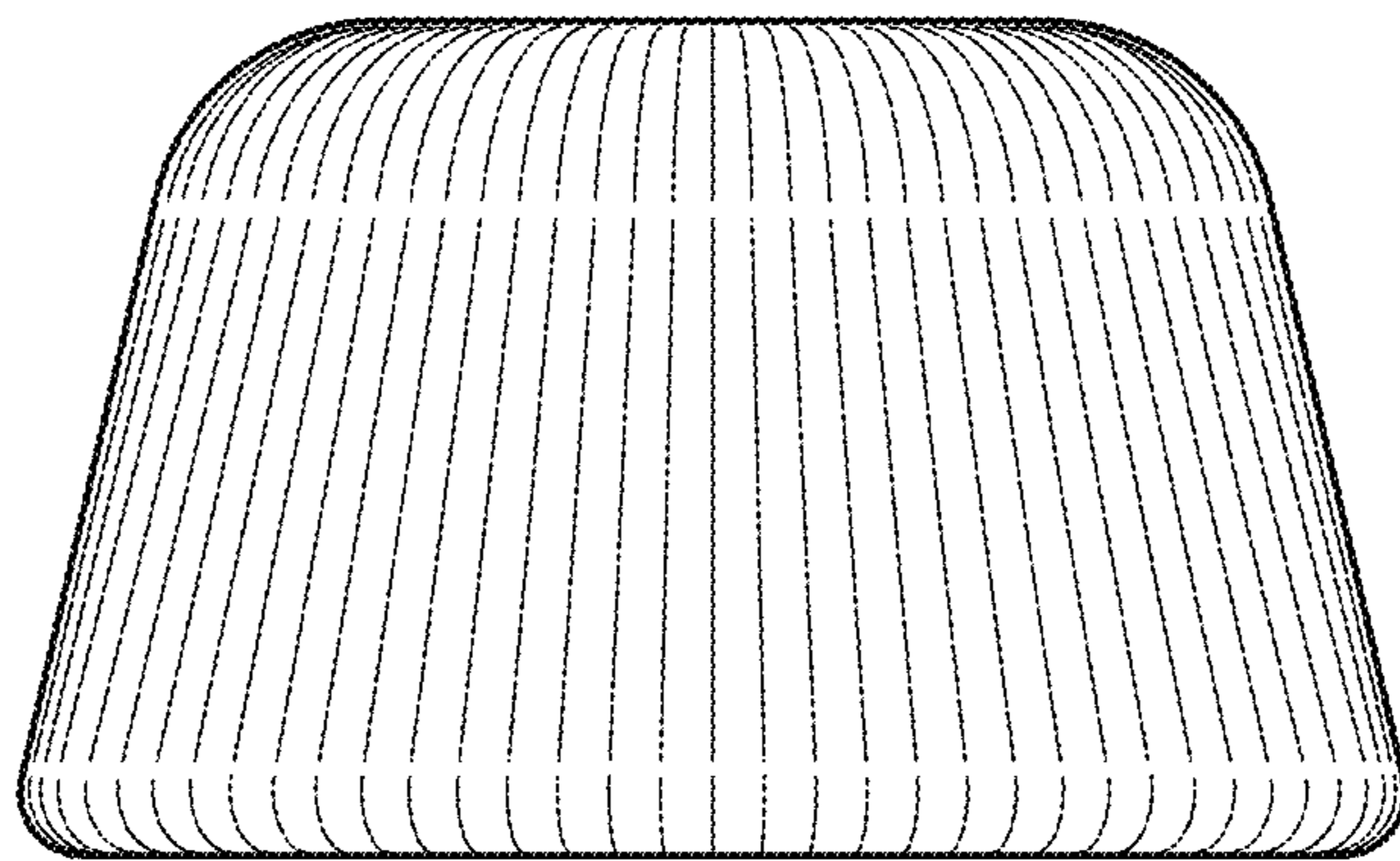


FIG.4

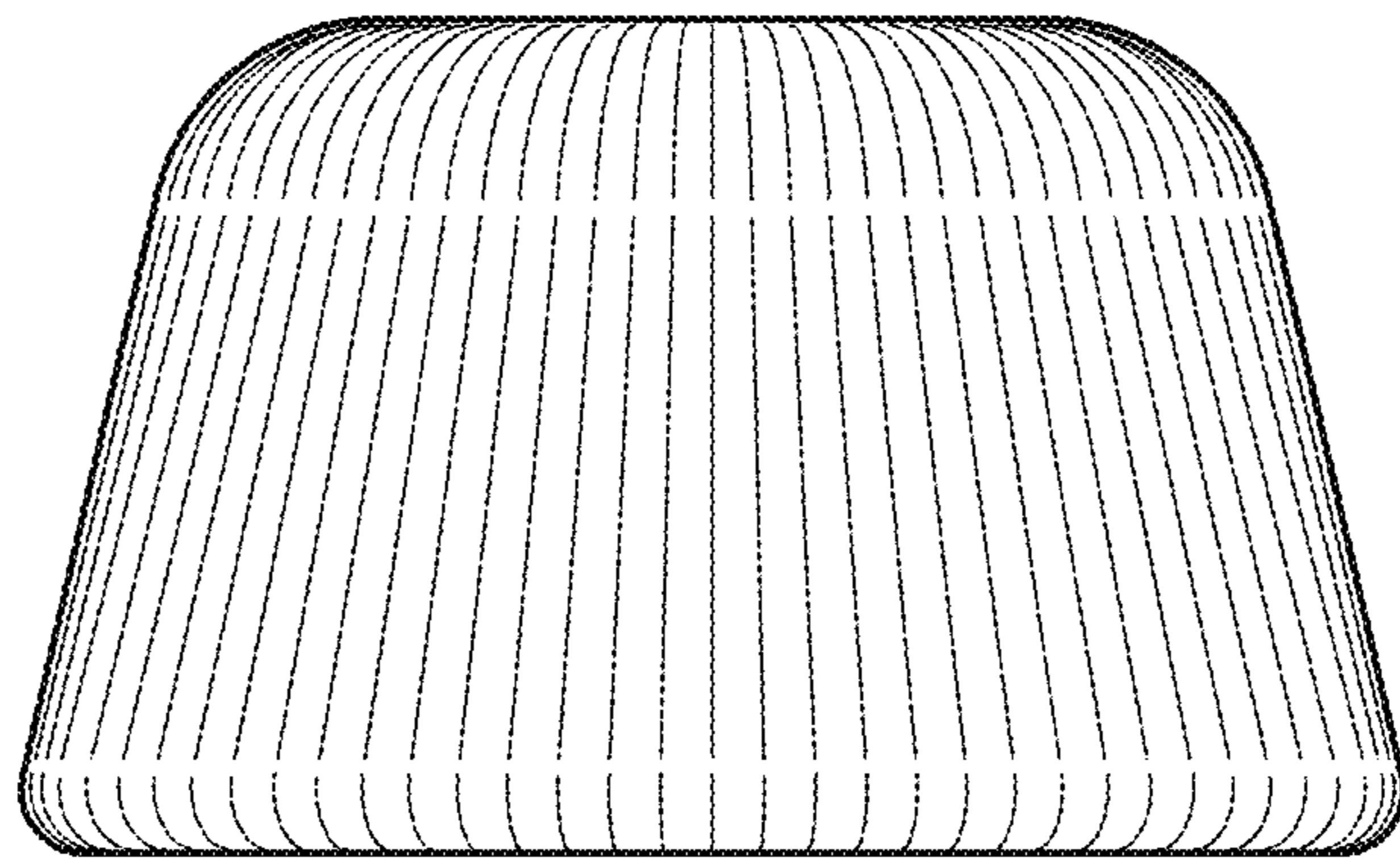


FIG.5

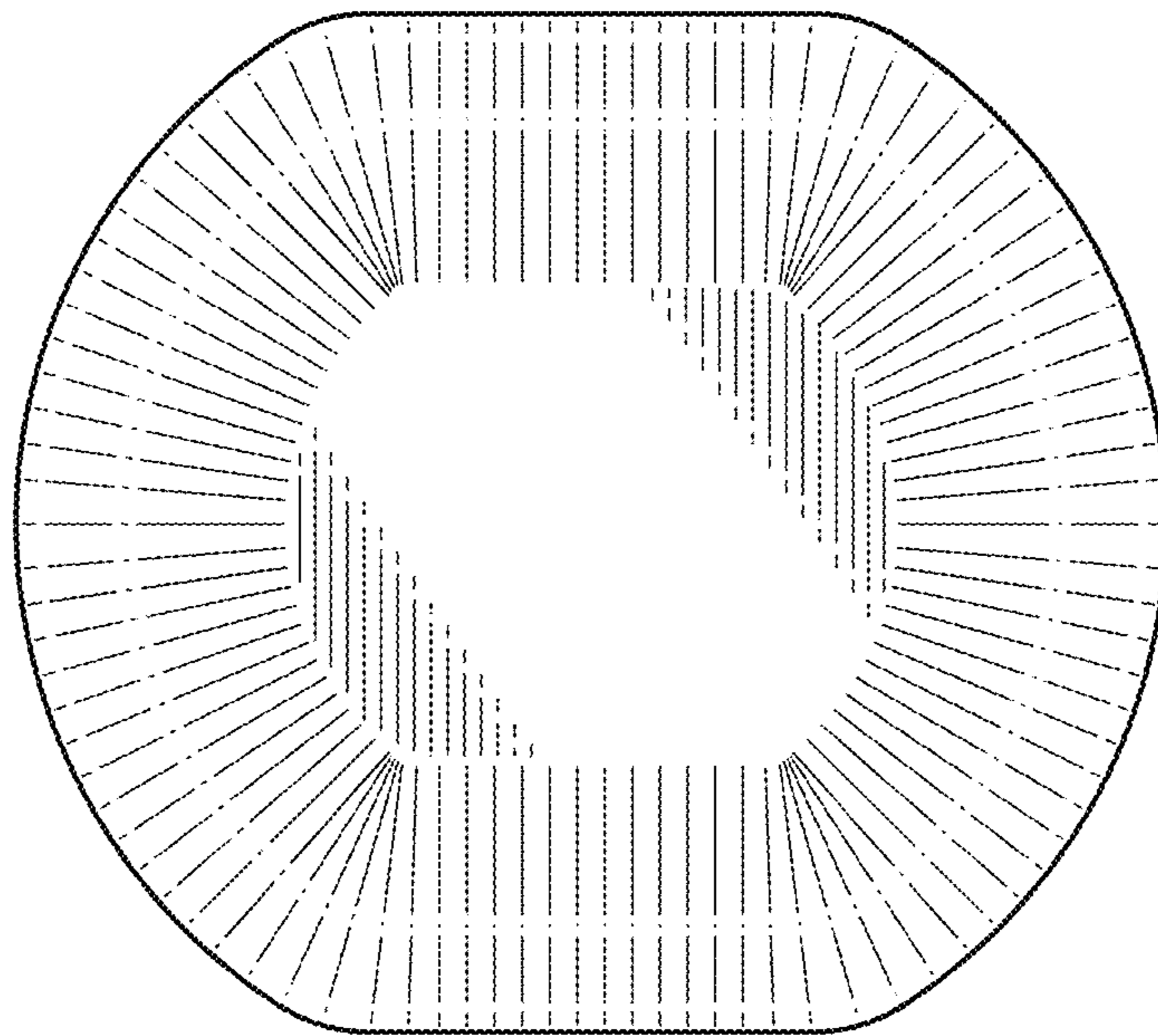


FIG.6

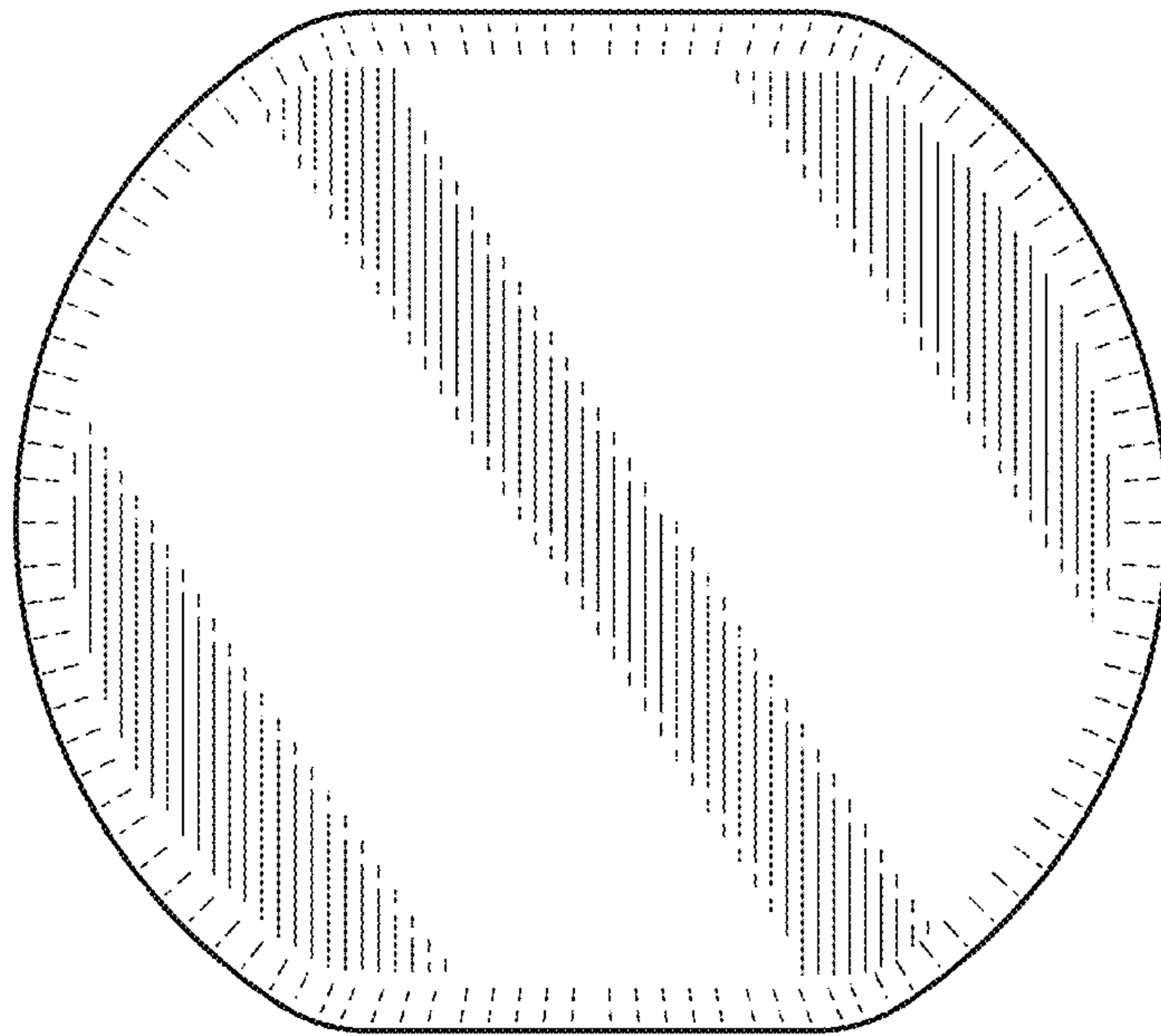


FIG.7