



US00D835166S

(12) **United States Design Patent**  
**Falk**

(10) **Patent No.:** **US D835,166 S**  
(45) **Date of Patent:** **\*\* Dec. 4, 2018**

(54) **DRILL DUST COLLECTOR**

(71) Applicant: **FALK INVENTIONS AB**, Stockholm (SE)

(72) Inventor: **Henrik Falk**, Stockholm (SE)

(\*\*) Term: **15 Years**

(21) Appl. No.: **35/503,899**

(22) Filed: **Apr. 28, 2017**

(80) **Hague Agreement Data**

Int. Filing Date: **Apr. 28, 2017**  
Int. Reg. No.: **DM/096597**  
Int. Reg. Date: **Apr. 28, 2017**  
Int. Reg. Pub. Date: **Nov. 3, 2017**

(30) **Foreign Application Priority Data**

Nov. 1, 2016 (EM) ..... 003443126-0001

(51) **LOC (11) Cl.** ..... **15-03**

(52) **U.S. Cl.**  
USPC ..... **D15/138**

(58) **Field of Classification Search**  
USPC .... D15/124-126, 133, 138; D8/14.1, 61-71, D8/90; D32/16-18, 74  
CPC ..... E21B 43/26; E21B 37/00; E21B 47/06; E21B 47/024; E21B 47/12; E21B 10/26; E21B 10/56; E21B 10/567; E21B 10/60; E21B 17/042; E21B 21/08; E21B 23/01; E21B 33/06; E21B 33/14; E21B 34/06; E21B 34/10; E21B 41/00; E21B 41/0035; E21B 44/00; E21B 44/005; E21B 47/01; E21B 47/011; E21B 47/065; E21B 47/122; E21B 47/14; E21B 49/003; E21B 7/046; E21B 7/06; E21B 10/32; E21B 10/322; E21B 10/43; E21B 10/5673; E21B 10/573; E21B 10/58; E21B 10/64; E21B 17/02; E21B 17/021; E21B 17/028; E21B 17/06; E21B 17/18; E21B 19/00; E21B 19/02; E21B 19/07; E21B 19/16; E21B 19/161; E21B 19/164; E21B 19/22; E21B 2034/005; E21B 2034/007; E21B

21/062; E21B 21/065; E21B 21/066; E21B 21/10; E21B 21/106; E21B 23/00; E21B 23/002; E21B 23/04; E21B 23/06; E21B 23/14; E21B 29/00; E21B 31/00; E21B 31/18; E21B 33/02; E21B 33/03; E21B 33/0355; E21B 33/04; E21B 33/064; E21B 33/08; E21B 33/085; E21B 33/12; E21B 33/1204; E21B 33/1216; E21B 33/128; E21B 33/129; E21B 33/1291; E21B 33/146; E21B 33/16; E21B 34/00; E21B 34/04; E21B 34/08; E21B 34/102; E21B 34/108; E21B 34/16; E21B 37/06; E21B 3/00; E21B 41/0092; E21B 43/013; E21B 43/105; E21B 43/11; E21B 43/16; E21B 43/18; E21B 43/24; E21B 43/25; E21B 43/267; E21B 43/30; E21B 43/305; E21B 43/34; E21B 43/40; E21B 45/00; E21B 47/00; E21B 47/02; E21B 47/02216; E21B 47/123; E21B 47/16; E21B

(Continued)

(56) **References Cited**

U.S. PATENT DOCUMENTS

D69,836 S \* 4/1926 Juckett ..... D19/3  
D135,593 S \* 4/1943 Dill ..... D19/2

(Continued)

*Primary Examiner* — George D. Kirschbaum  
*Assistant Examiner* — Khawaja Anwar

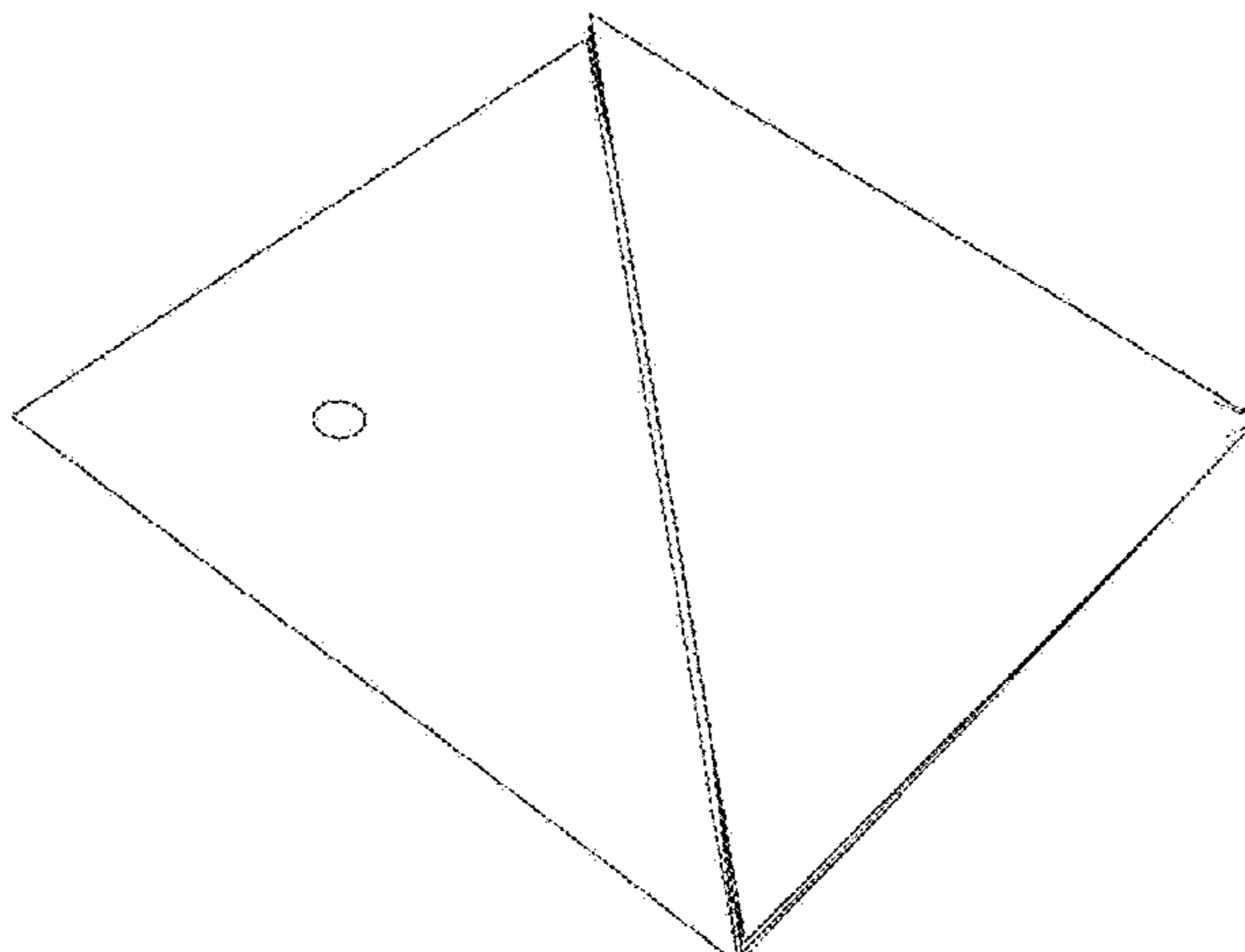
(57) **CLAIM**

The ornamental design for a drill dust collector, as shown and described.

**DESCRIPTION**

- 1. Drill dust collector
- 1.1 : Left front, open
- 1.2 : Front unfolded
- 1.3 : Left front, open
- 1.4 : Folded

**1 Claim, 4 Drawing Sheets**



(58) **Field of Classification Search**

CPC ..... 49/00; E21B 49/008; E21B 7/00; E21B  
7/04; E21B 7/068; E21B 7/128; E21B  
7/14; E21B 7/15; E21B 7/20; E21B 7/28  
See application file for complete search history.

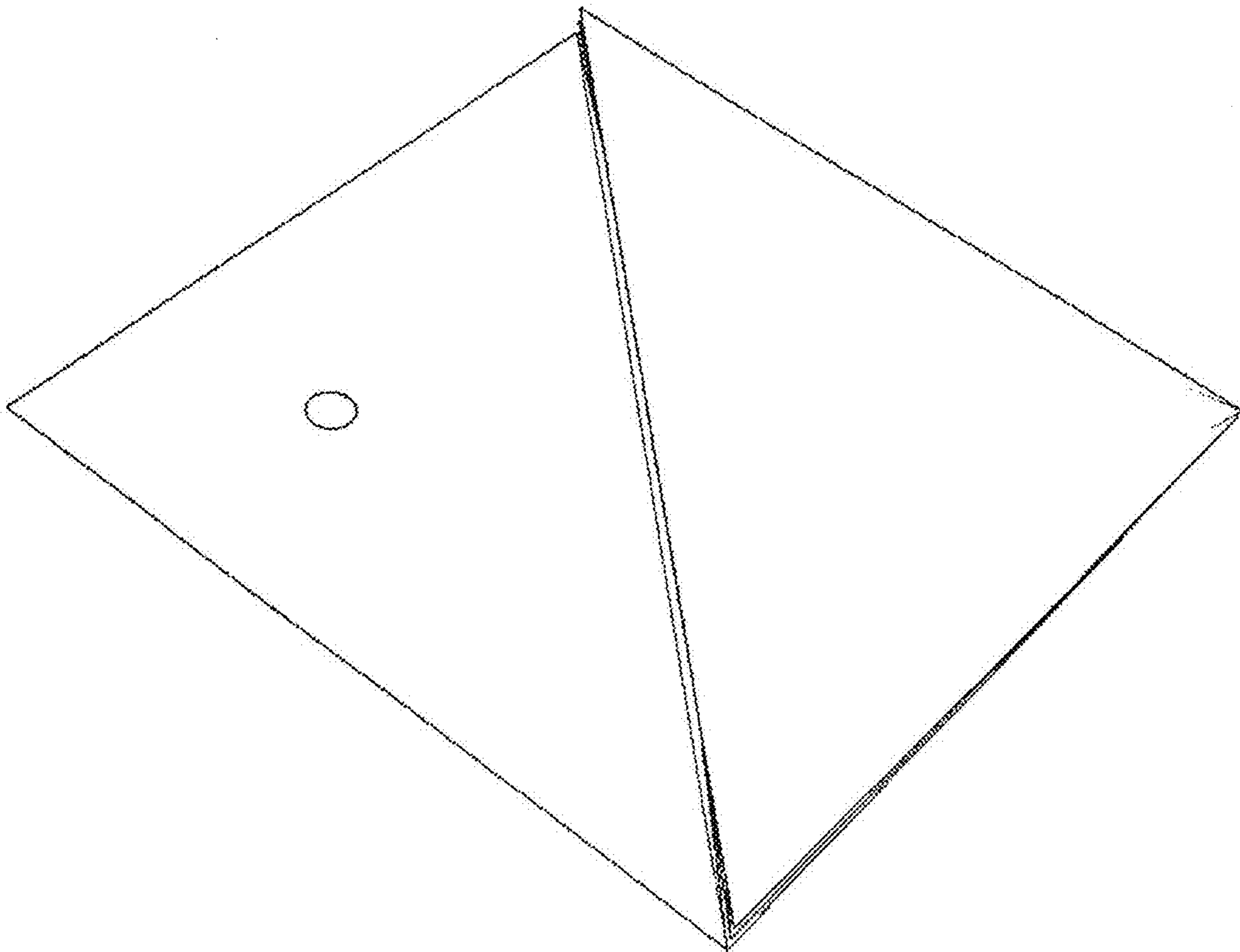
(56) **References Cited**

U.S. PATENT DOCUMENTS

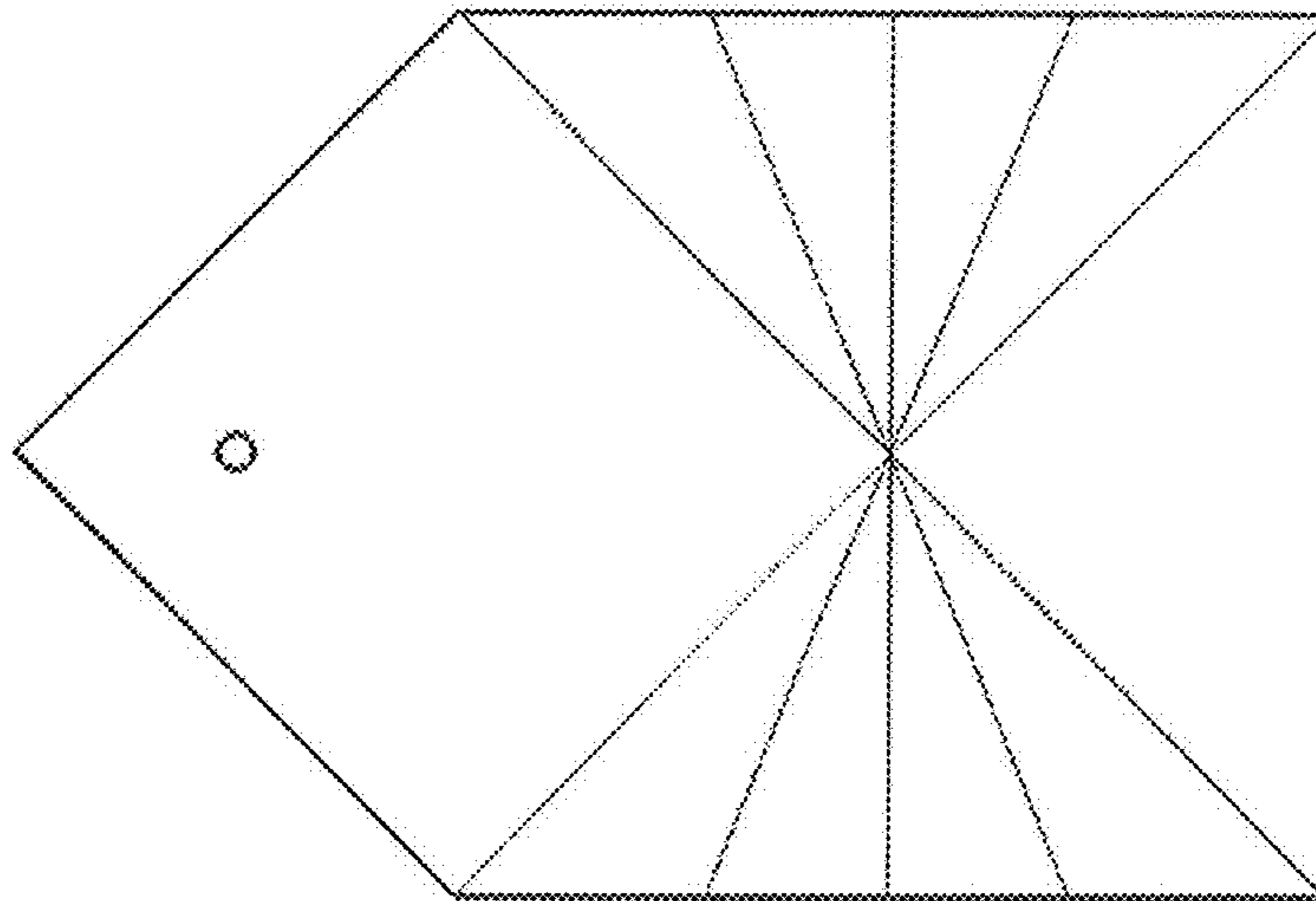
D135,748 S \* 6/1943 Baumgartner ..... D19/2  
D290,021 S \* 5/1987 Feinner ..... D19/2  
D397,144 S \* 8/1998 Sylvester ..... D19/1  
D476,883 S \* 7/2003 Krohne ..... D9/705  
D499,625 S \* 12/2004 Stirn ..... D8/70  
D572,603 S \* 7/2008 Josephs ..... D9/709  
D573,615 S \* 7/2008 McDaniel ..... D15/138  
D575,311 S \* 8/2008 Konecny ..... D15/138  
D589,318 S \* 3/2009 Meyer ..... D8/70  
D610,468 S \* 2/2010 Rothstein ..... D9/709  
D614,678 S \* 4/2010 Jorgensen ..... D15/138  
D663,184 S \* 7/2012 Wait ..... D8/70  
D669,794 S \* 10/2012 Hoorn ..... D9/703  
D677,962 S \* 3/2013 Phillips ..... D6/595  
D768,237 S \* 10/2016 Huang ..... D19/2  
D773,295 S \* 12/2016 Montanile ..... D7/538  
D779,878 S \* 2/2017 Marneweck ..... D7/504  
D793,456 S \* 8/2017 Lindsay ..... D15/138  
D811,240 S \* 2/2018 Goto ..... D9/712  
D818,788 S \* 5/2018 Dammkoehler ..... D8/70

\* cited by examiner

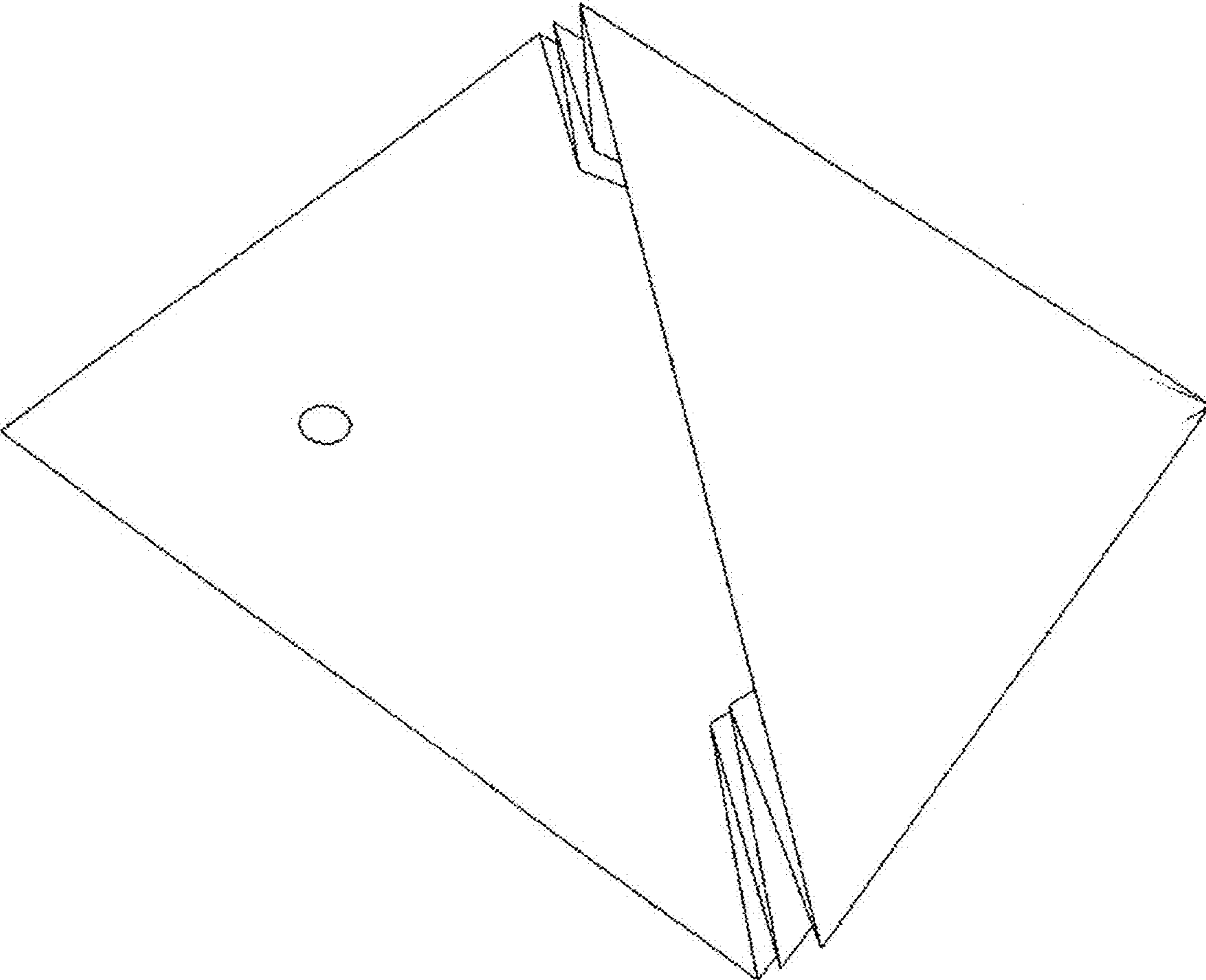
1.1



1.2



1.3



1.4

