



US00D835165S

(12) **United States Design Patent**  
**Zentmyer**

(10) **Patent No.:** **US D835,165 S**  
(45) **Date of Patent:** **\*\* Dec. 4, 2018**

- (54) **AUTOMATIC LOCKING DIFFERENTIAL**
- (71) Applicant: **Torq-Masters Industries, Inc**, Victor, NY (US)
- (72) Inventor: **John H. Zentmyer**, Lakeside, CA (US)
- (73) Assignee: **Torq-Masters Industries, Inc.**, Victor, NY (US)
- (\*\*) Term: **15 Years**
- (21) Appl. No.: **29/581,814**
- (22) Filed: **Oct. 21, 2016**
- (51) **LOC (11) Cl.** ..... **15-09**
- (52) **U.S. Cl.**  
USPC ..... **D15/138**
- (58) **Field of Classification Search**  
USPC ..... D15/138, 148  
CPC ..... F16H 48/08; F16H 48/24; F16H 48/32;  
F16H 48/21  
See application file for complete search history.

5,637,049 A	6/1997	Zentmyer	
5,715,733 A *	2/1998	Dissett .....	F16H 48/142 74/650
5,759,126 A	6/1998	Zentmyer et al.	
5,759,129 A	6/1998	Zentmyer et al.	
5,816,971 A	10/1998	Zentmyer et al.	
5,836,220 A	11/1998	Valente	
5,901,618 A	5/1999	Tyson et al.	
5,947,859 A *	9/1999	McNamara .....	F16H 48/08 425/231
5,983,754 A	11/1999	Tyson et al.	
6,014,916 A	1/2000	Tyson	
6,047,615 A	4/2000	Tyson et al.	
6,053,073 A	4/2000	Tyson et al.	
6,053,074 A	4/2000	Tyson et al.	
6,062,105 A	5/2000	Tyson et al.	
6,092,439 A	7/2000	Tyson et al.	
6,105,465 A	8/2000	Tyson et al.	
6,269,712 B1	8/2001	Zentmyer	
6,432,020 B1 *	8/2002	Rivera .....	F16H 48/08 475/231
6,681,654 B2	1/2004	Zentmyer	
7,147,584 B1 *	12/2006	Lu .....	F16H 48/10 475/250
D549,731 S *	8/2007	Demirdogen .....	D15/5

(Continued)

Primary Examiner — Patricia A Palasik

(56) **References Cited**

U.S. PATENT DOCUMENTS

1,430,744 A	10/1922	Lewis	
1,439,239 A *	12/1922	Hintze .....	F16H 48/08 475/233
1,477,137 A	12/1923	Lewis	
1,711,371 A	4/1929	Zentmyer	
2,555,044 A	5/1951	Lewis	
3,745,800 A	7/1973	Zentmyer	
4,071,808 A	1/1978	Zentmyer	
4,109,912 A	8/1978	Zentmyer	
4,498,355 A	2/1985	Schou	
4,759,232 A	7/1988	Roberts	
5,413,015 A	5/1995	Zentmyer	
5,590,572 A	1/1997	Valente	
5,591,098 A *	1/1997	Jones .....	F16H 48/08 475/231
5,603,246 A	2/1997	Zentmyer	

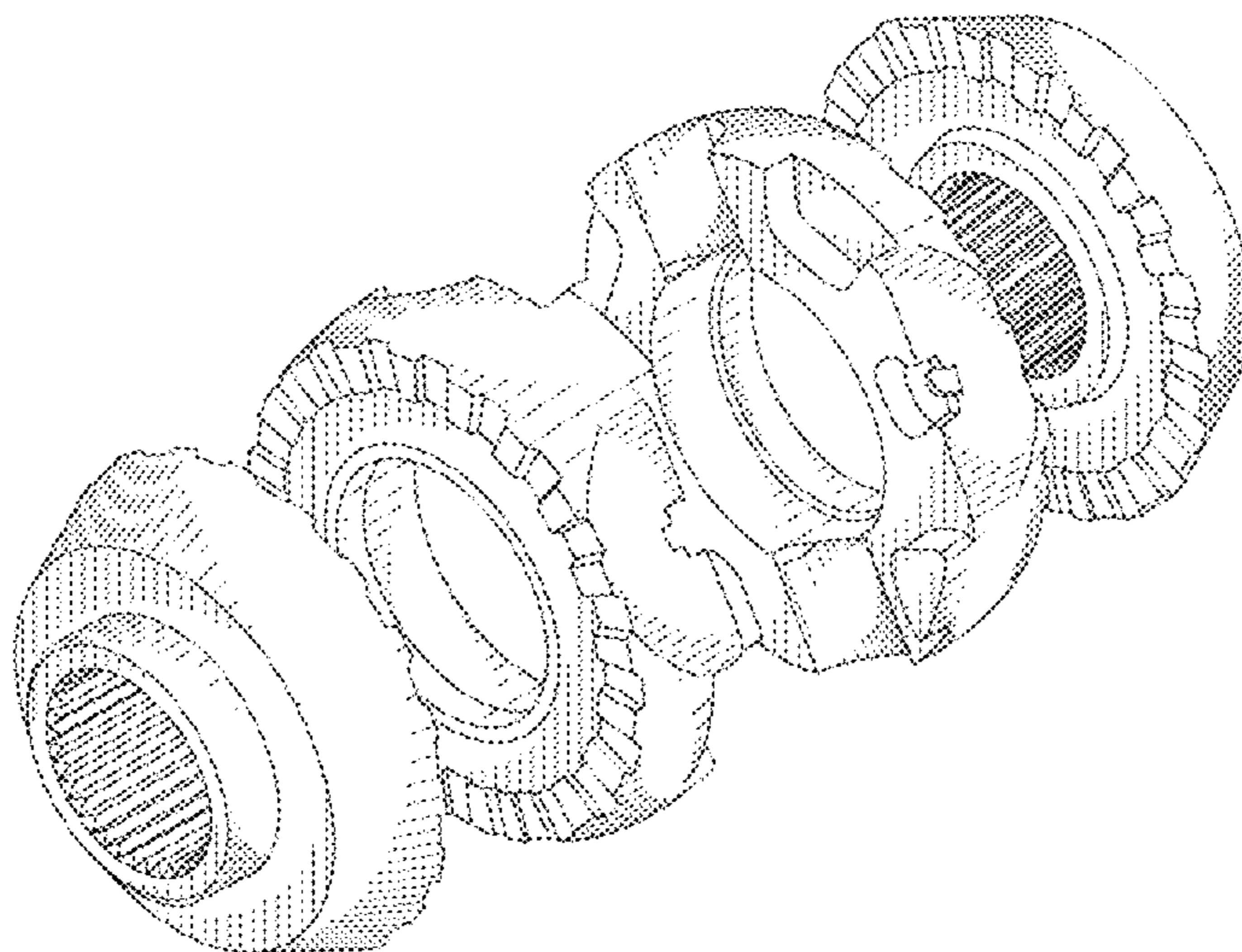
(57) **CLAIM**

The ornamental design for an automatic locking differential, as shown and described.

**DESCRIPTION**

FIG. 1 is a left side elevational view of an automatic locking differential the right side being identical; FIG. 2 is a top plan view of the automatic locking differential the bottom plan view being identical; and, FIG. 3 is an exploded view of the automatic locking differential.

**1 Claim, 3 Drawing Sheets**



(56)

**References Cited**

U.S. PATENT DOCUMENTS

7,419,453	B2 *	9/2008	Liu	.....	F16H 48/24 475/250
D578,064	S *	10/2008	Nimberger	.....	D13/114
D711,445	S *	8/2014	Creager	.....	D15/148
9,046,013	B2 *	6/2015	Lichti	.....	F01L 1/344
D742,717	S *	11/2015	Manning	.....	D8/330
D749,135	S *	2/2016	Fisher	.....	D15/5
D749,136	S *	2/2016	Williams	.....	D15/5
D767,658	S *	9/2016	Creager	.....	D15/148
D770,550	S *	11/2016	Creager	.....	D15/148
D772,945	S *	11/2016	Fox	.....	D15/5
D782,539	S *	3/2017	Fox	.....	D15/5
D786,936	S *	5/2017	Manning	.....	D15/5
D789,175	S *	6/2017	Manning	.....	D8/330
D789,761	S *	6/2017	Moss	.....	D8/86
2002/0151402	A1	10/2002	Zentmyer		
2007/0191174	A1 *	8/2007	Kyle	.....	F16H 48/08 475/231
2008/0176703	A1	7/2008	Hoberg		
2015/0292611	A1 *	10/2015	Miyamoto	.....	F16H 48/24 475/84

\* cited by examiner

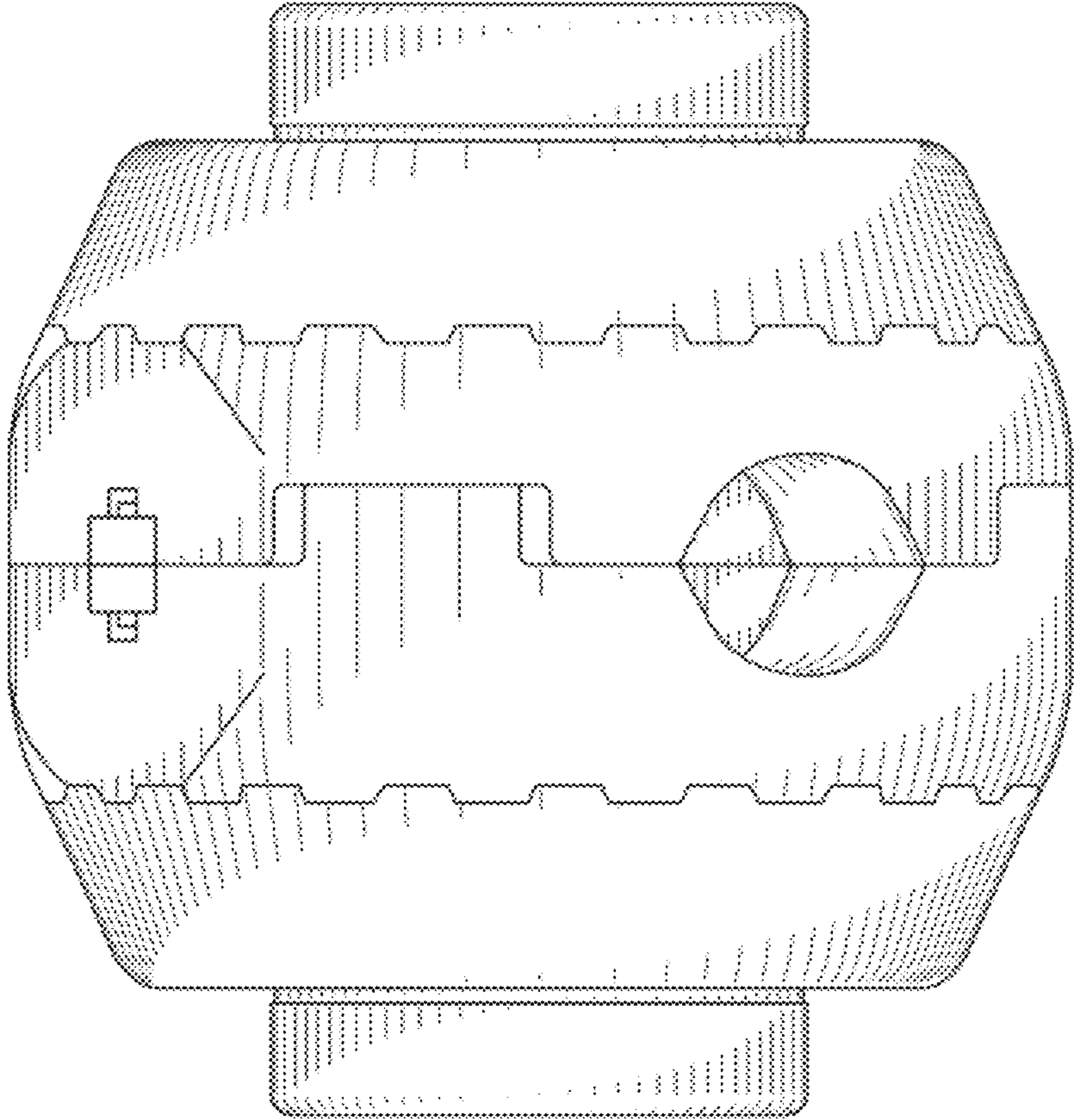


FIG. 1

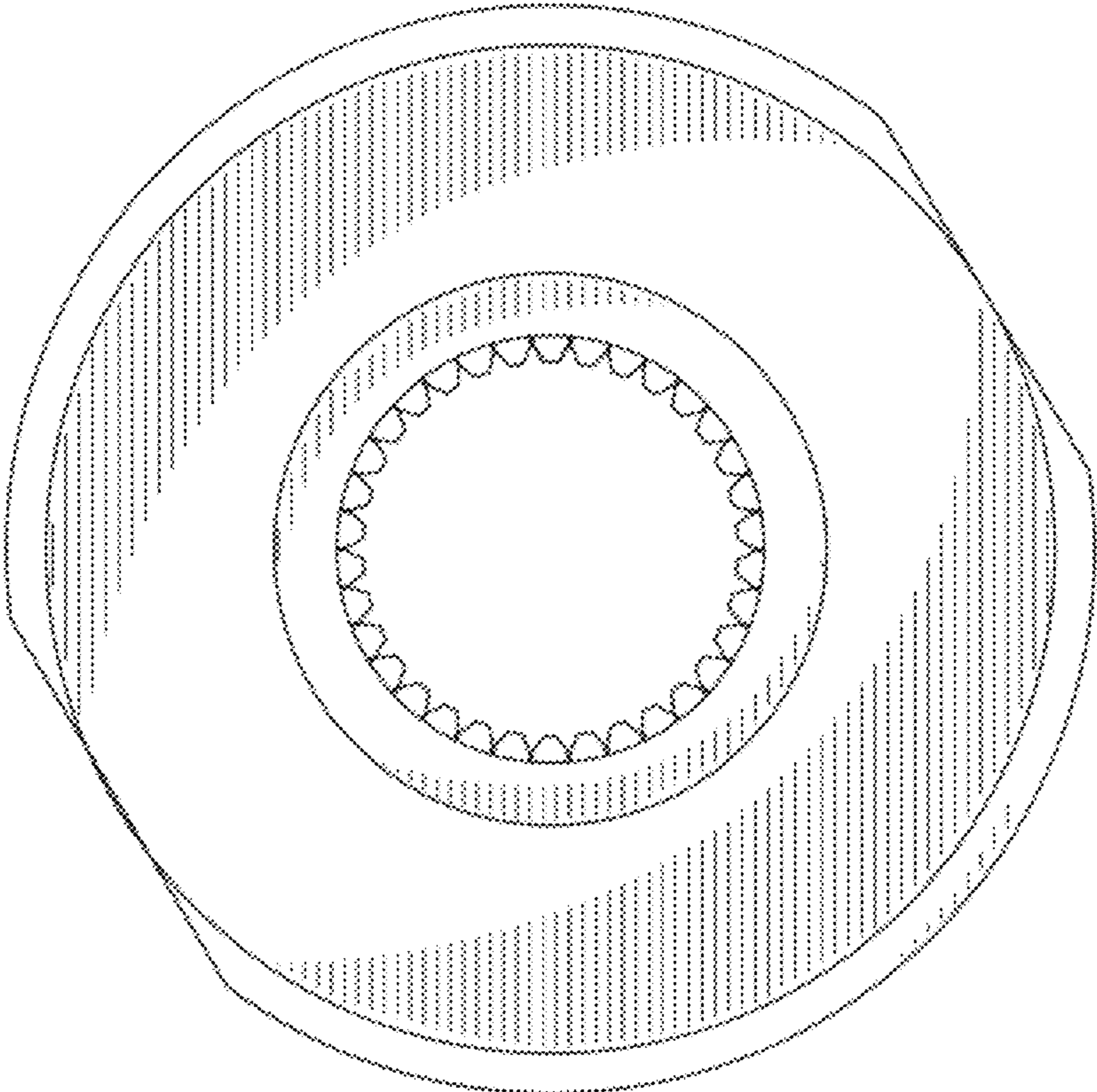


FIG. 2

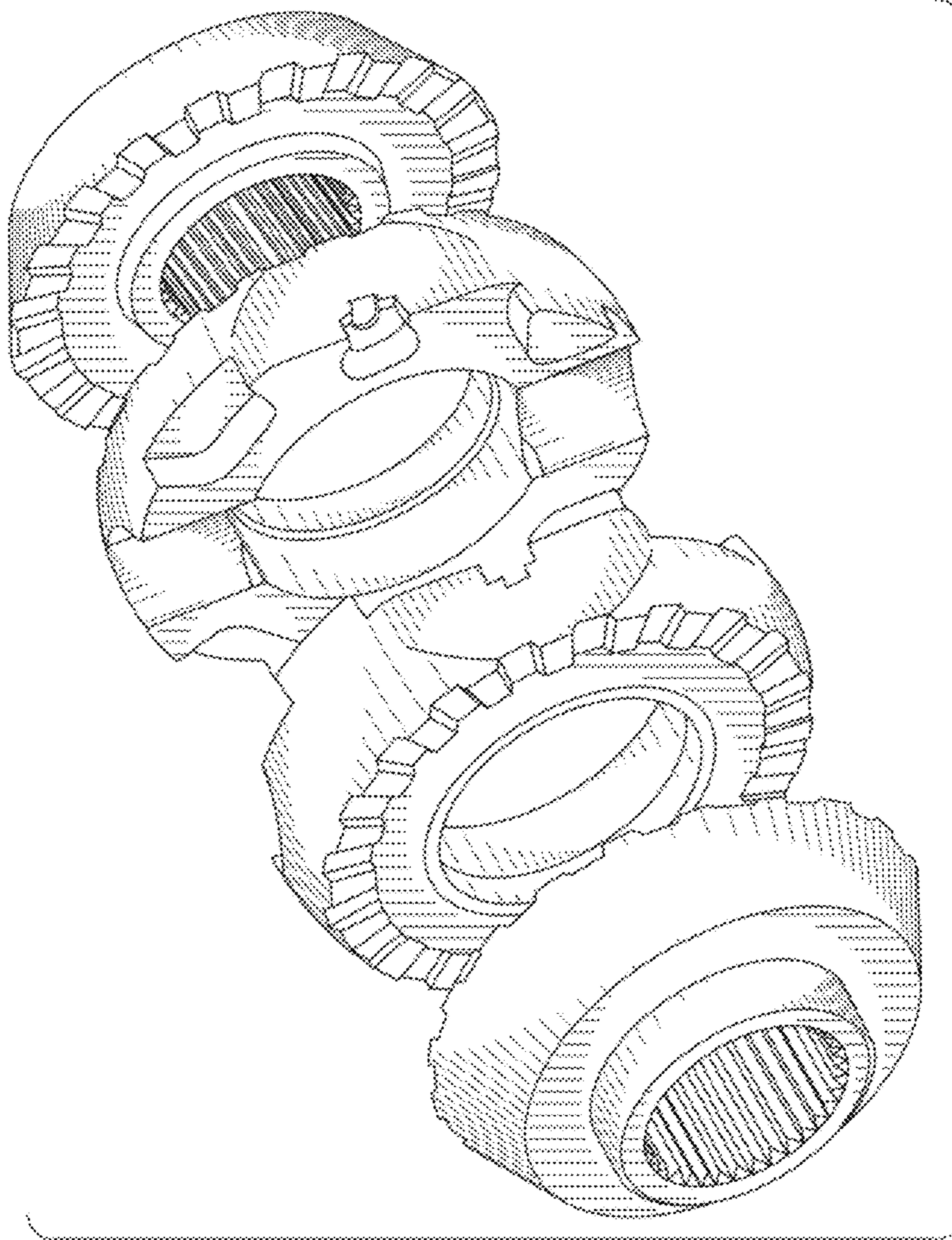


FIG. 3